



US00D327918S

United States Patent [19]

[11] Patent Number: Des. 327,918

Cordell

[45] Date of Patent: ** Jul. 14, 1992

- [54] MULTI-USER ADAPTOR FOR A VIDEO GAME
- [75] Inventor: John Cordell, Redmond, Wash.
- [73] Assignee: Nintendo of America Inc., Redmond, Wash.
- [**] Term: 14 Years
- [21] Appl. No.: 501,832
- [22] Filed: Dec. 27, 1989
- [52] U.S. Cl. D21/48; D21/1
- [58] Field of Search D21/48, 1; D13/158, D13/168; D14/114, 124, 125; 273/433, 435, 436, 438, DIG. 28, 148 B

- [56] **References Cited**
- U.S. PATENT DOCUMENTS
- | | | | |
|------------|---------|------------------------|-----------|
| D. 247,002 | 1/1978 | Katoh | D21/1 |
| D. 271,201 | 11/1983 | Nordberg | D21/1 |
| D. 299,726 | 2/1989 | Yukawa | D21/1 |
| D. 303,127 | 8/1989 | Biasotti | D21/48 |
| D. 313,589 | 1/1991 | Martinelli et al. | D14/114 |
| D. 315,577 | 3/1991 | Wang | D21/48 |
| D. 317,754 | 6/1991 | Accumanno | D13/158 X |
| 4,394,018 | 7/1983 | Orbanes et al. | 273/237 |

OTHER PUBLICATIONS

Hong Kong Enterprise Apr. 1984, p. 45 Top of the Page.

Merchandising, 1981, p. 49, Video Disc Player Top Right of the Page.

Primary Examiner—Bernard Ansher

Assistant Examiner—Prabhakar Deshmukh
Attorney, Agent, or Firm—Nixon & Vanderhye

[57] **CLAIM**
The ornamental design for a multi-user adaptor for a video game, as shown and described.

DESCRIPTION

FIG. 1 is a perspective view of a multi-user adaptor for a video game showing my new design;
 FIG. 2 is a top plan view thereof;
 FIG. 3 is a front elevational view thereof;
 FIG. 4 is a right side elevational view thereof;
 FIG. 5 is a rear elevational view thereof;
 FIG. 6 is a left side elevational view thereof;
 FIG. 7 is a bottom plan view thereof;
 FIG. 8 is a top plan view of a second embodiment of FIG. 1;
 FIG. 9 is a front elevational view of FIG. 8;
 FIG. 10 is a top plan view of a third embodiment of FIG. 1;
 FIG. 11 is a front elevational view of FIG. 10;
 FIG. 12 is a right side elevational view of FIG. 10; the left side elevational view being a mirror image thereof;
 FIG. 13 is a top plan view of a fourth embodiment of FIG. 1;
 FIG. 14 is a front elevational view of FIG. 13; and,
 FIG. 15 is a right side elevational view of FIG. 13; the left side elevational view being a mirror image thereof.
 The right, left, rear and bottom views of FIG. 8 embodiment are identical to FIGS. 4, 6, 5 and 7 respectively. The rear and bottom views of FIG. 10, and 13 embodiments are identical to FIGS. 5 and 7 respectively.

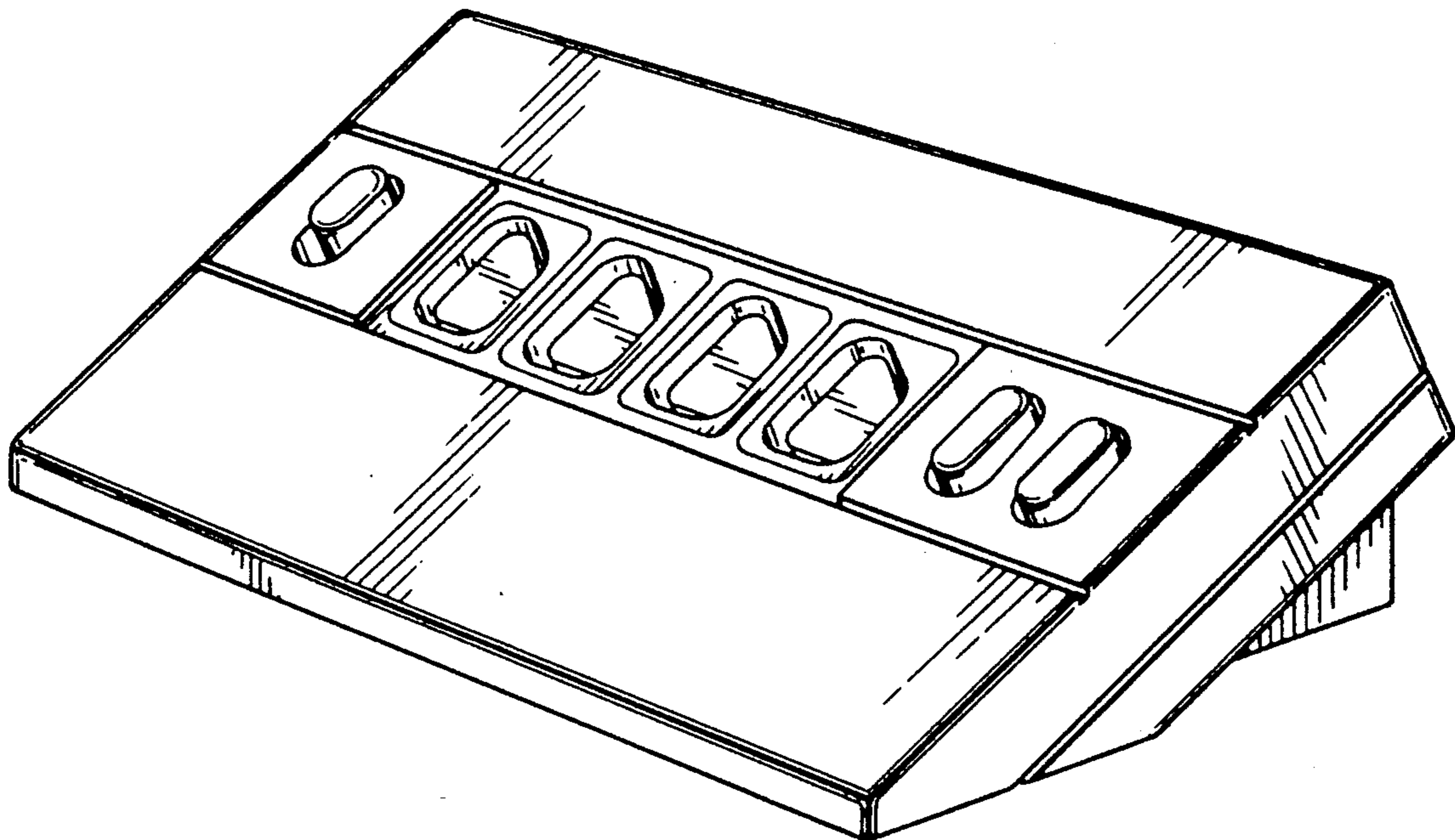


FIG. 1

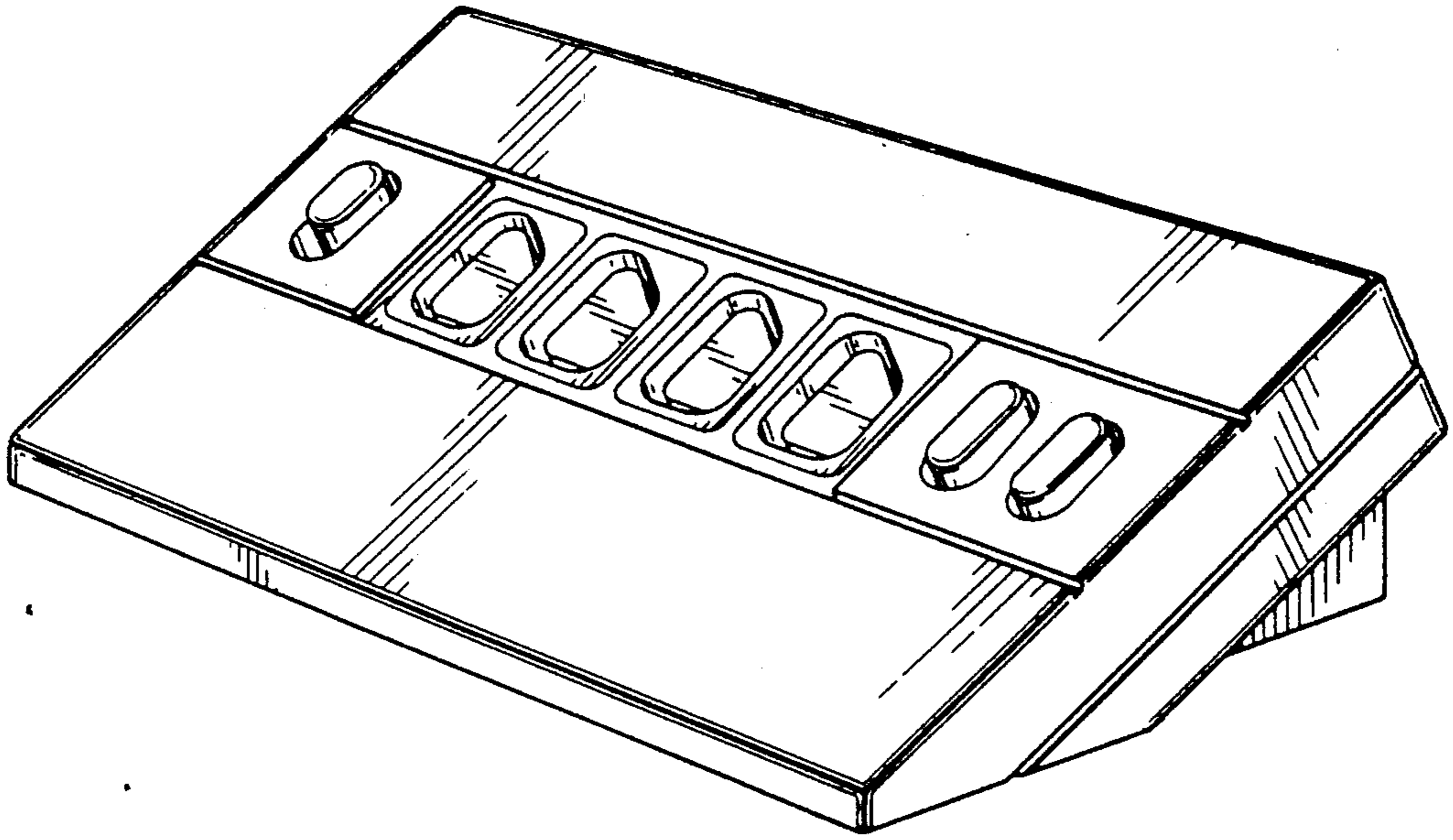


FIG. 2

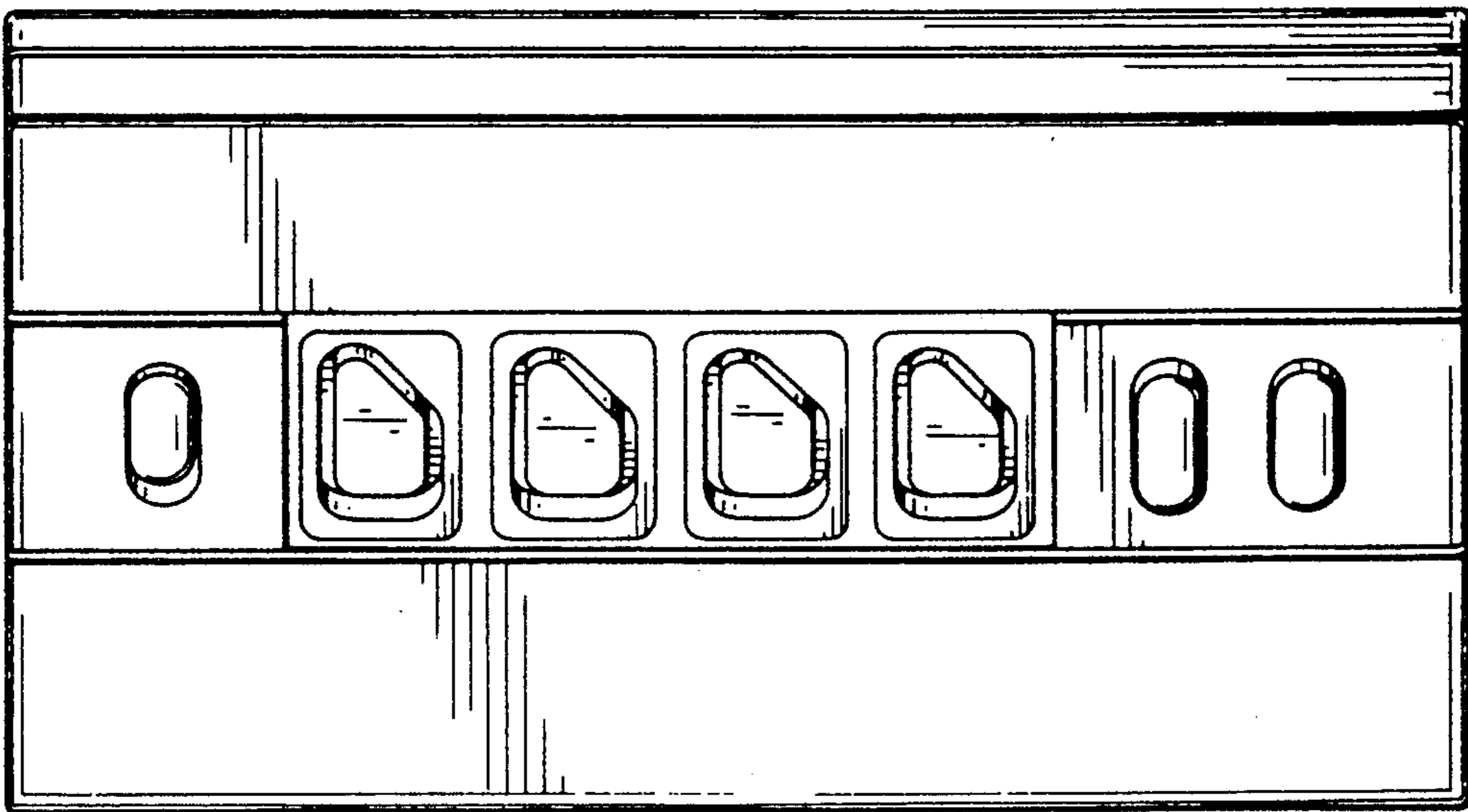


FIG. 3

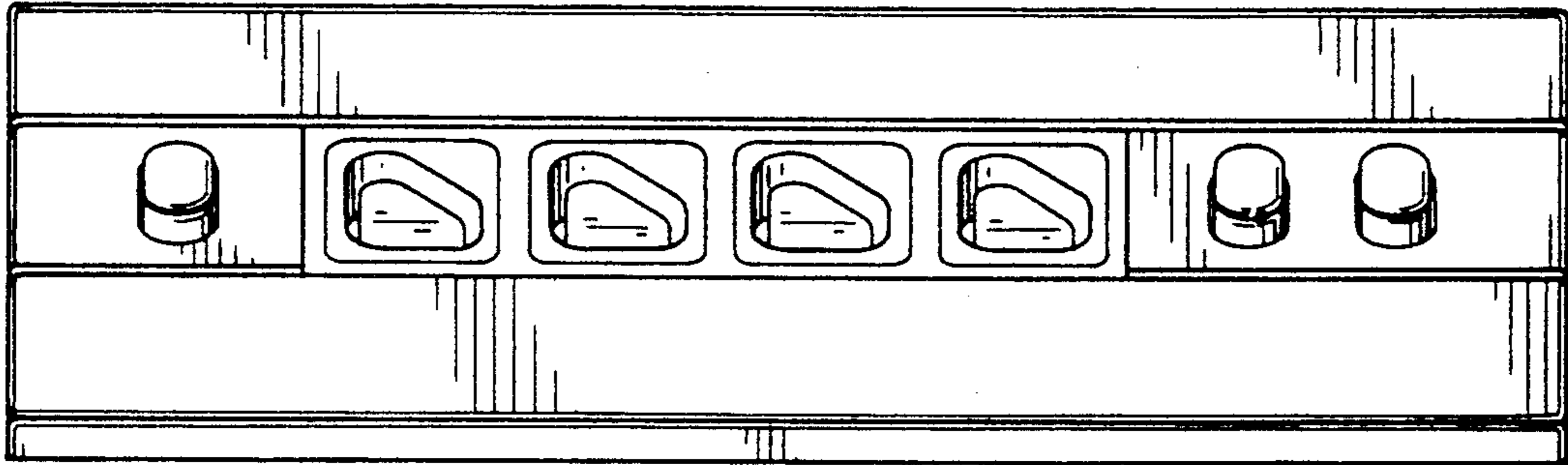


FIG. 4

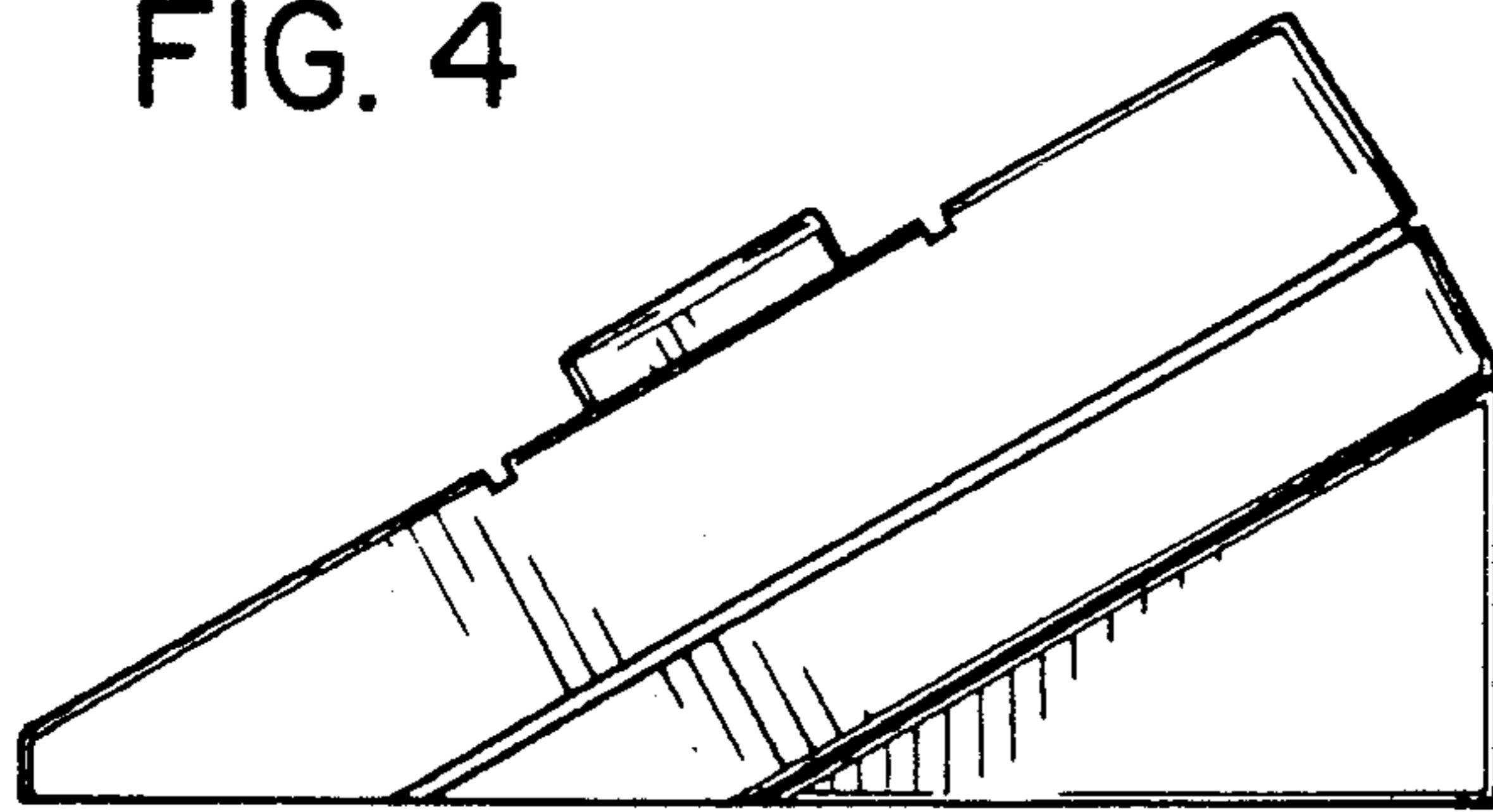


FIG. 5

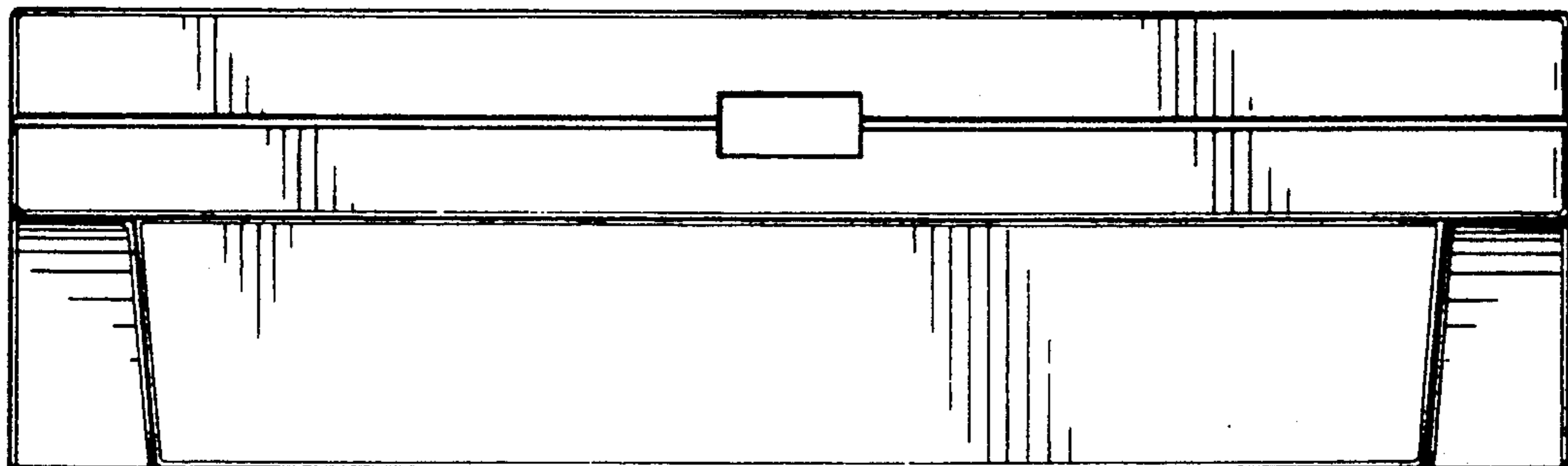


FIG. 6

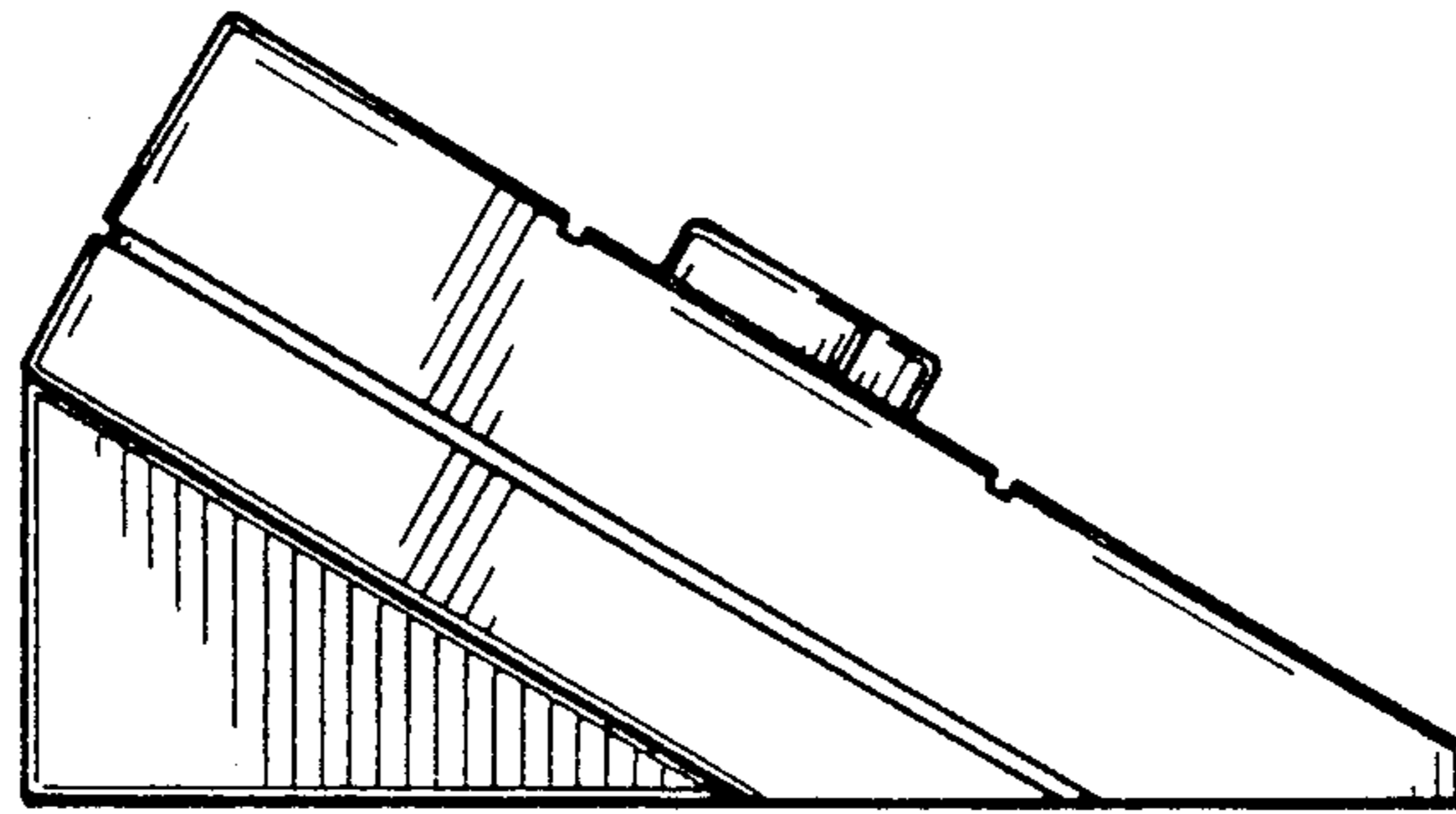
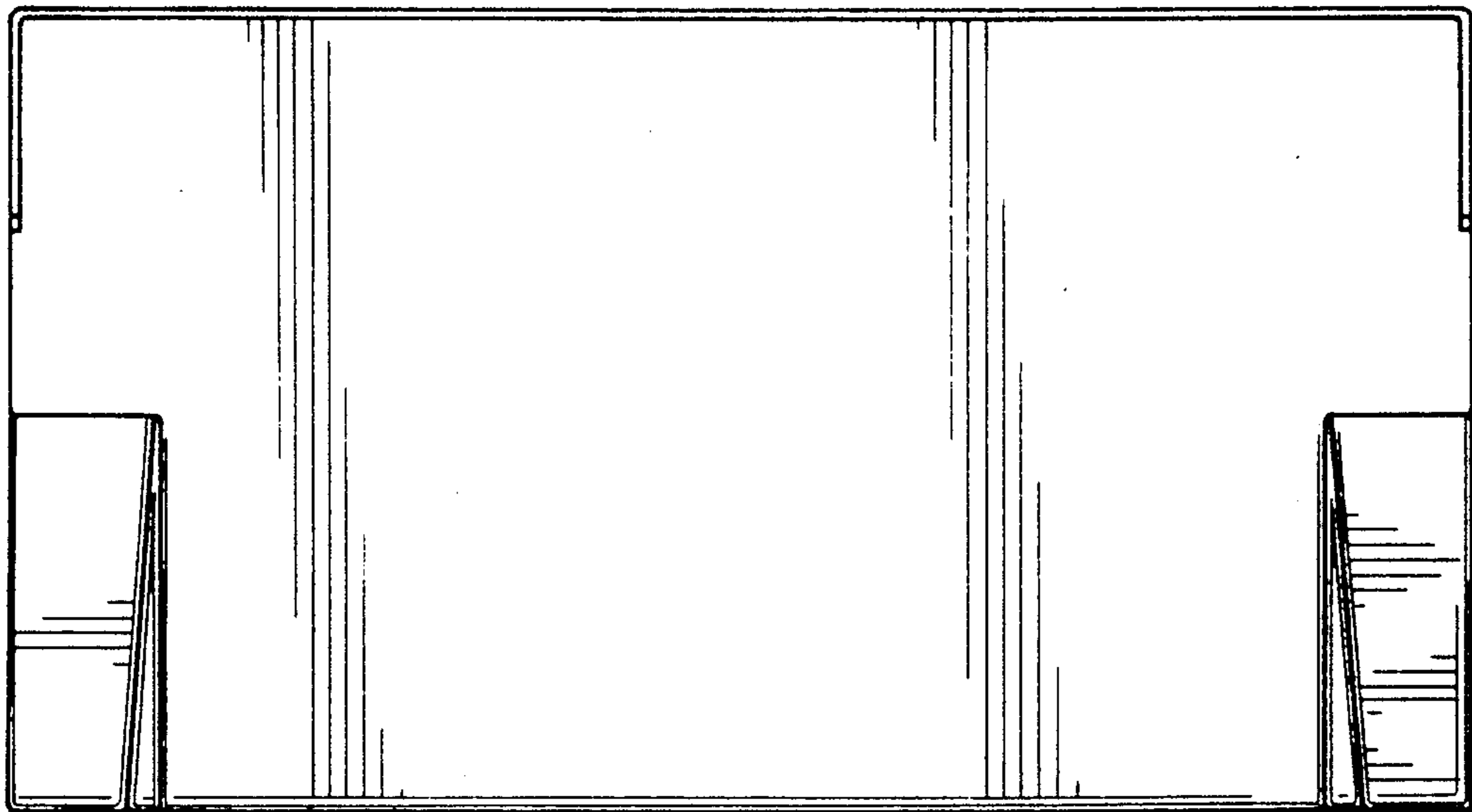


FIG. 7



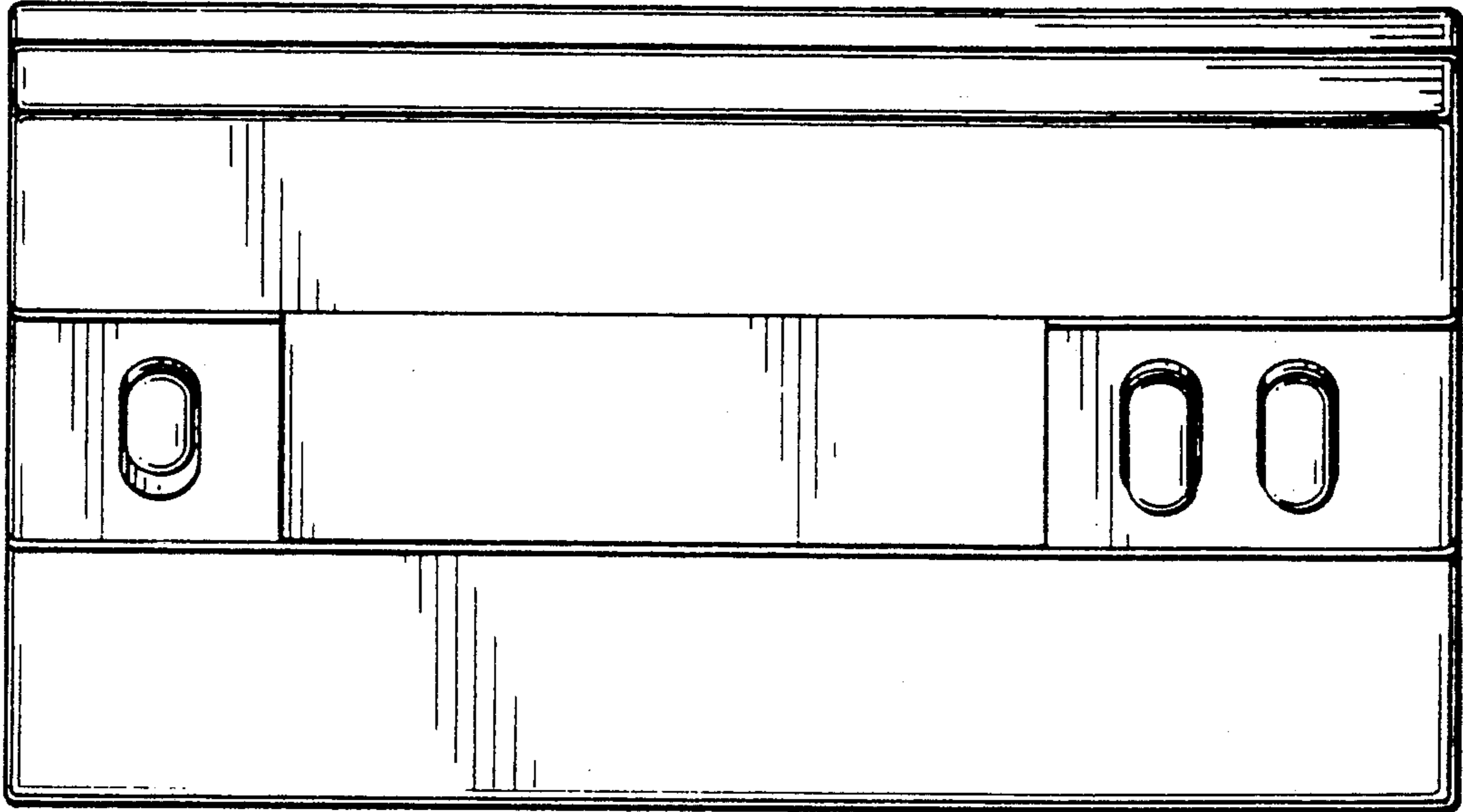


FIG. 8

FIG. 9

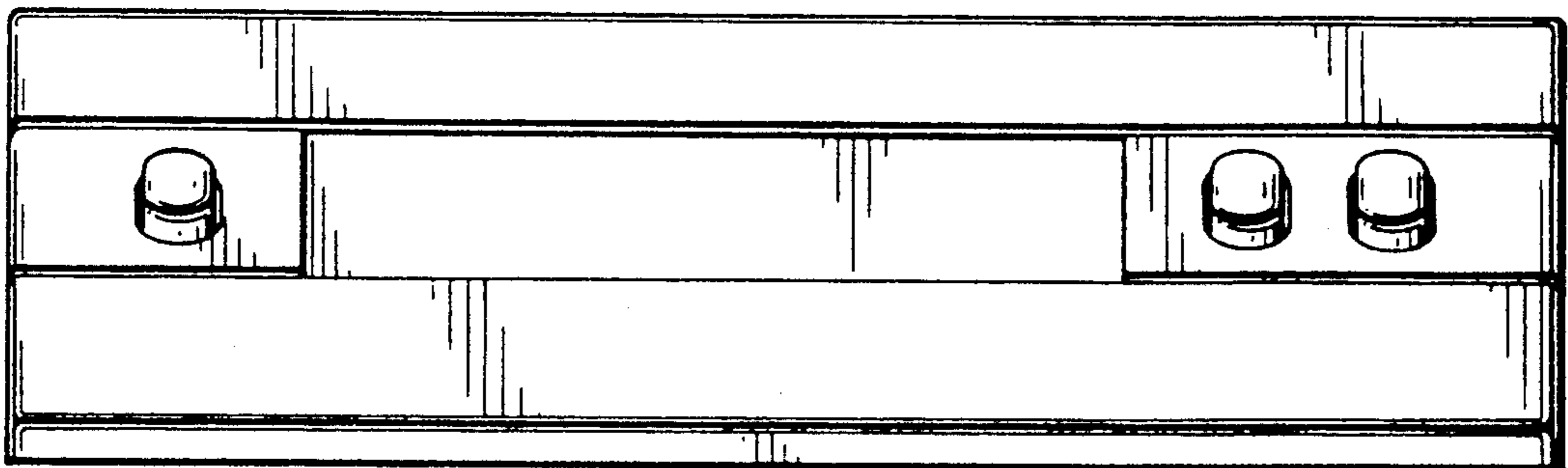


FIG. 10

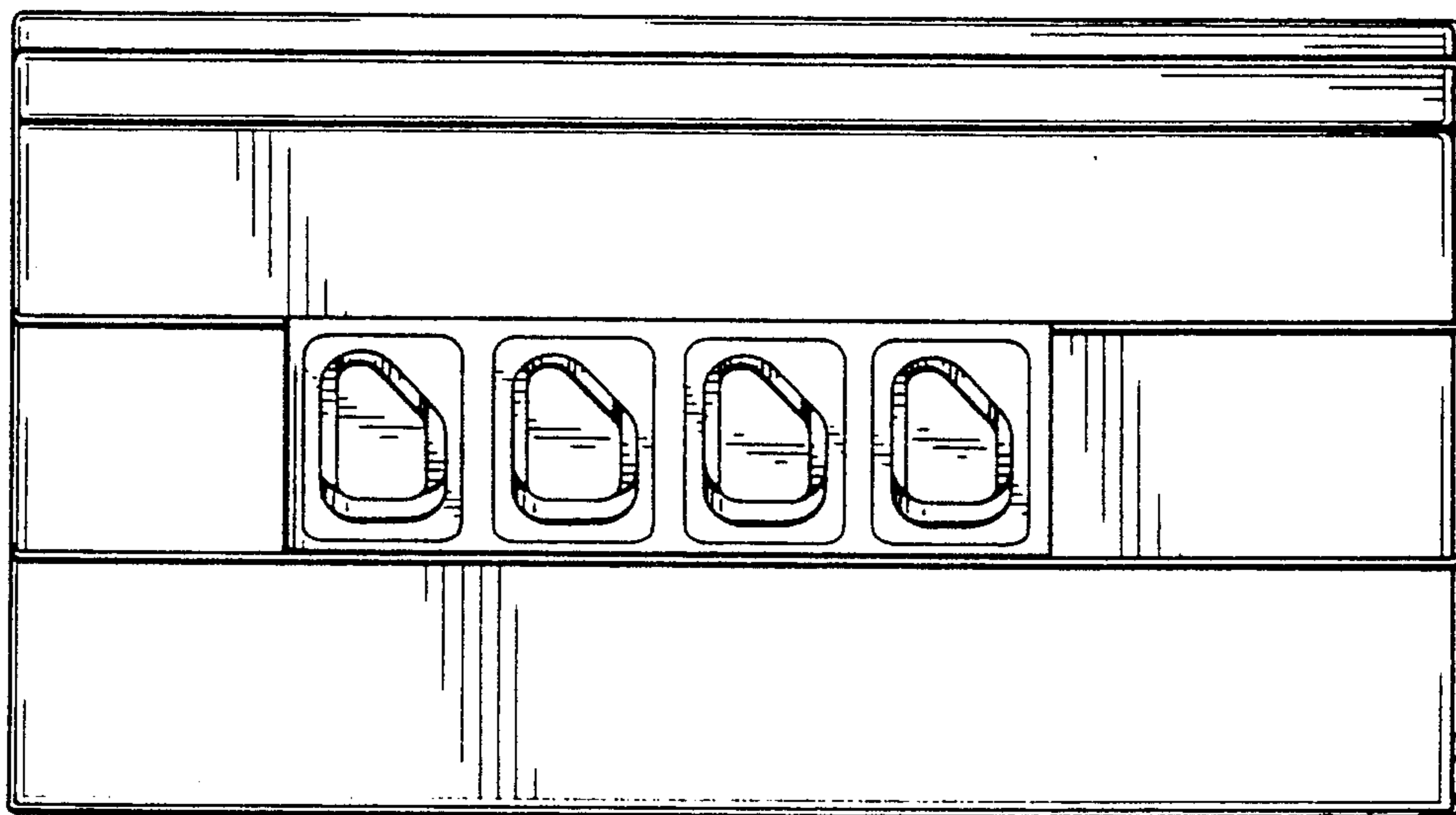


FIG. 11

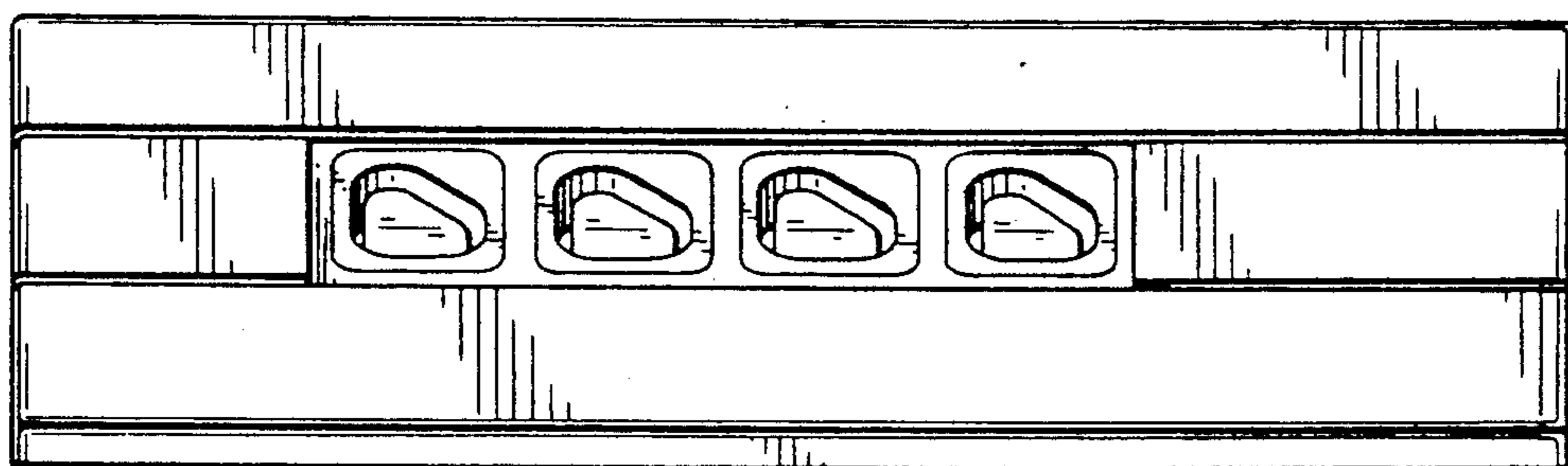


FIG. 12

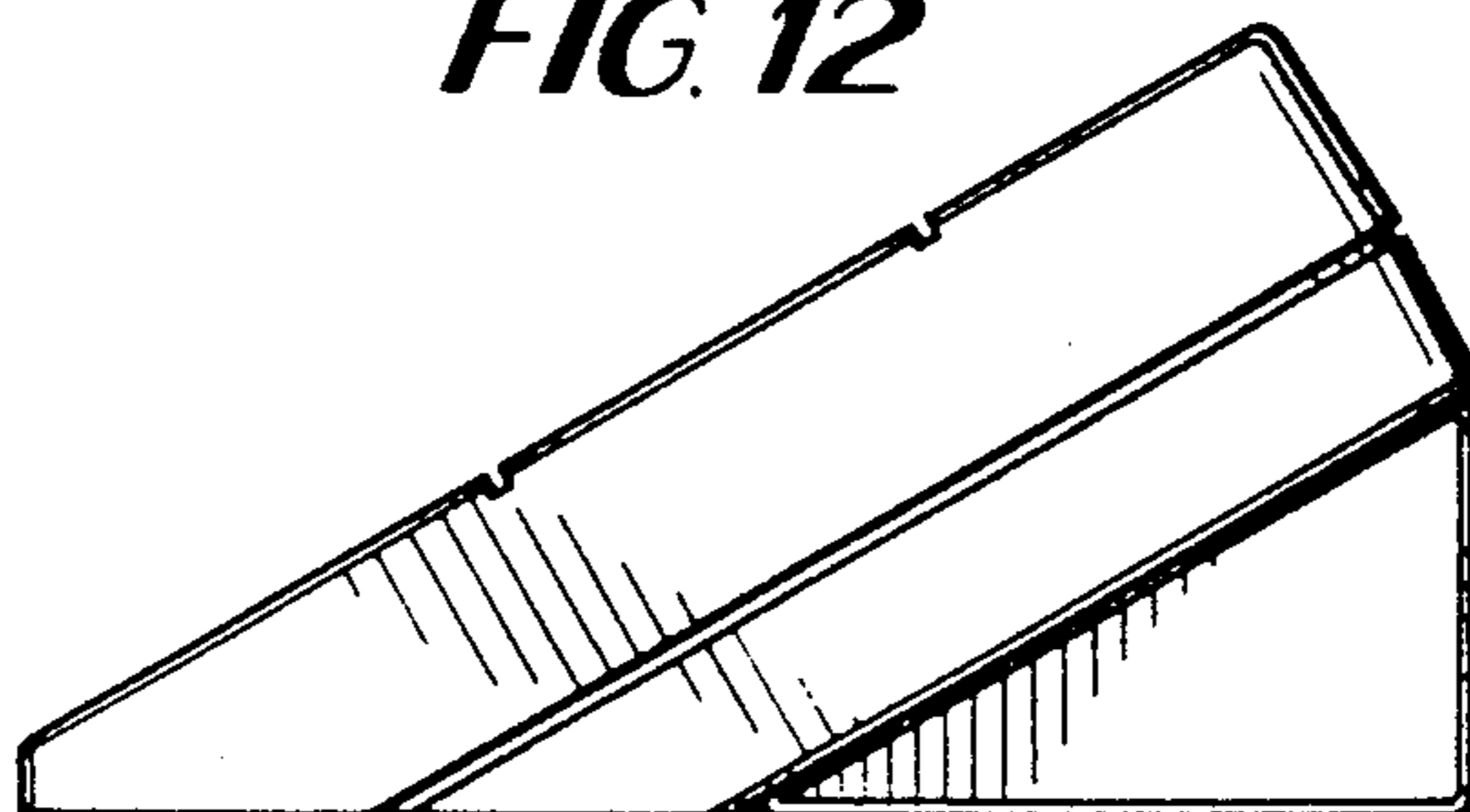


FIG. 13

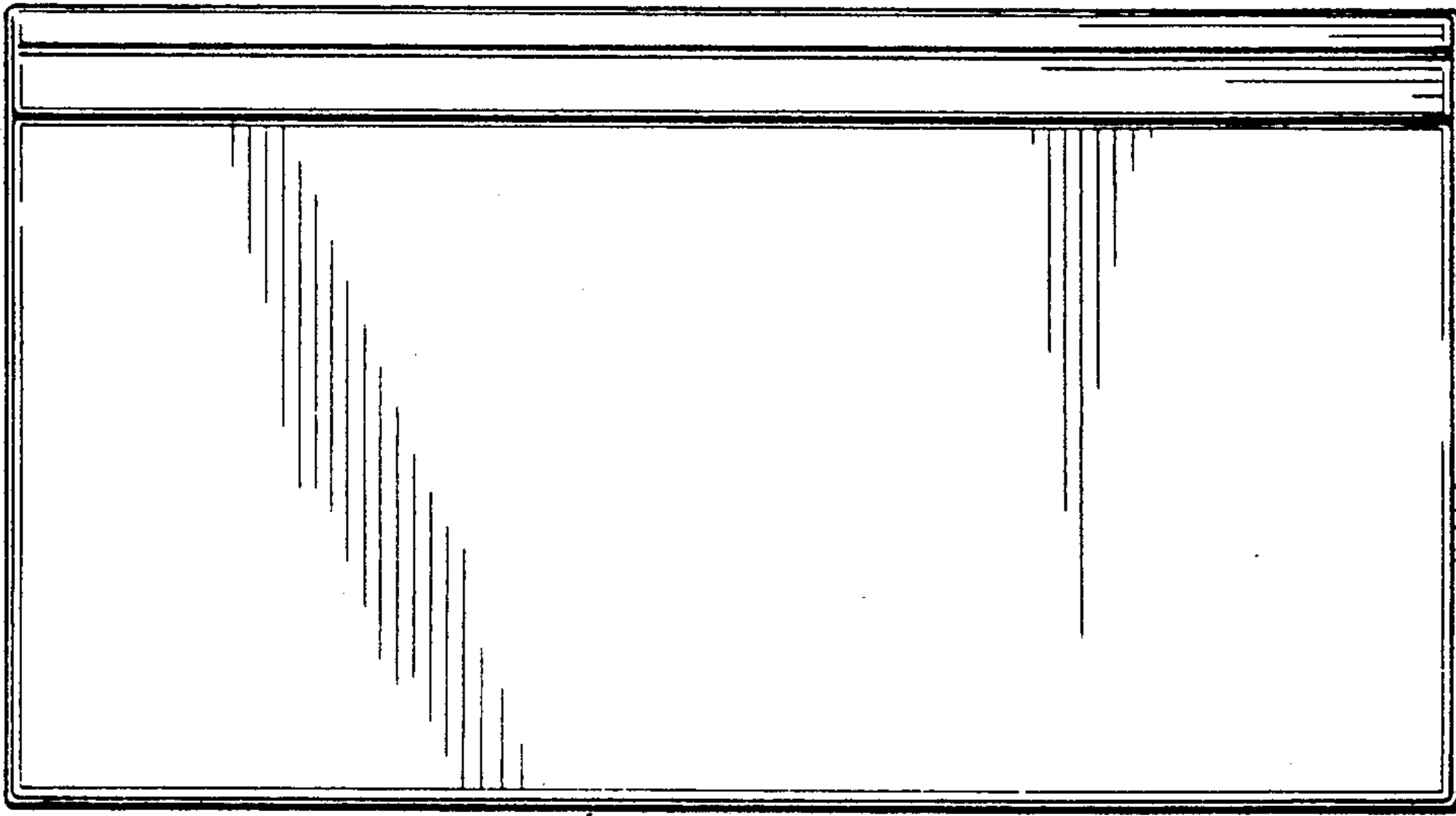


FIG. 14

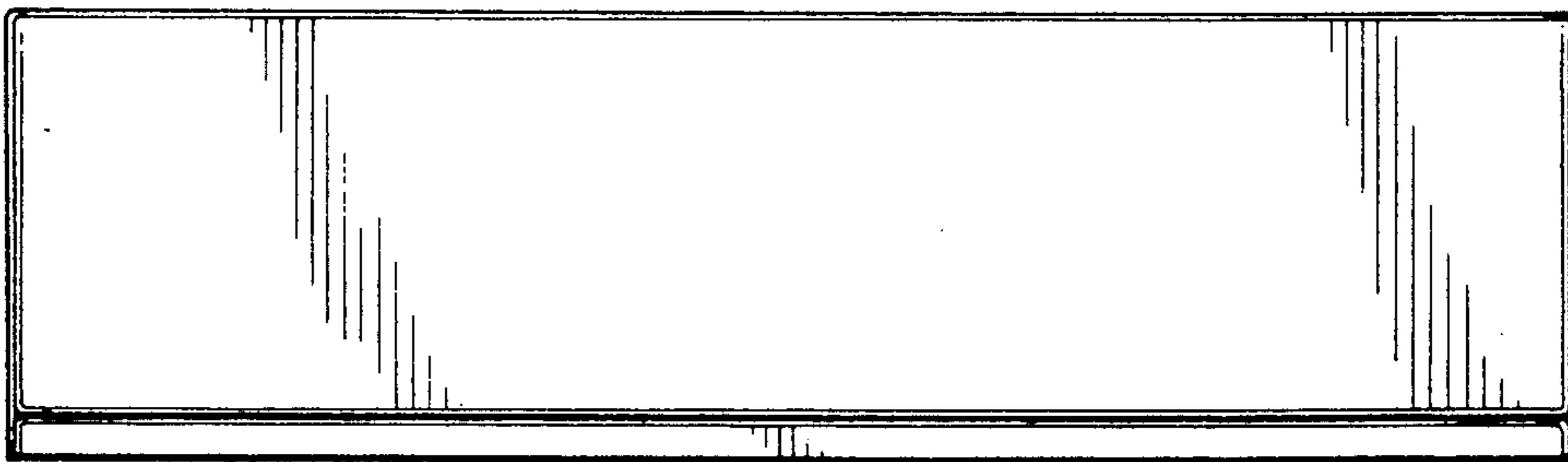


FIG. 15

