



US00D327916S

United States Patent [19]

[11] Patent Number: **Des. 327,916**

Spikes

[45] Date of Patent: **** Jul. 14, 1992**

[54] GAME BOARD

DESCRIPTION

[76] Inventor: **Michael D. Spikes, 505 SE. Vera, Corvallis, Oreg. 97333**

[**] Term: **14 Years**

[21] Appl. No.: **481,399**

[22] Filed: **Feb. 20, 1990**

[52] U.S. Cl. **D21/10; D21/1; D21/7**

[58] Field of Search **D21/10, 7, 9, 1; 273/85 A, 85 R, 85 E, 313, 108, 236, 287, 85 B, 121 R, 121 A**

FIG. 1 is a top perspective view of a game board showing my new design;

FIG. 2 is a bottom perspective view thereof;

FIG. 3 is a top plan view thereof;

FIG. 4 is a left side elevational view thereof; the right side elevational view being a mirror image thereof;

FIG. 5 is a front elevational view thereof; the rear elevational view being a mirror image thereof;

FIG. 6 is a sectional elevational view thereof; taken on line 6—6 of FIG. 3;

FIG. 7 is a bottom plan view thereof;

FIG. 8 is a top plan view of a second embodiment of FIG. 1;

FIG. 9 is a top plan view of a third embodiment of FIG. 1;

FIG. 10 is a top plan view of a fourth embodiment of FIG. 1;

FIG. 11 is a top plan view a fifth embodiment of FIG. 1;

FIG. 12 is a top plan view of a sixth embodiment of FIG. 1;

FIG. 13 is a top plan view of a seventh embodiment of FIG. 1;

FIG. 14 is a top plan view of a eighth embodiment of FIG. 1; and,

FIG. 15 is a top plan view of a ninth embodiment of FIG. 1.

The bottom surface of the embodiments in FIGS. 8 through 15 is similar to as shown in FIG. 7 of the first embodiment.

[56] References Cited

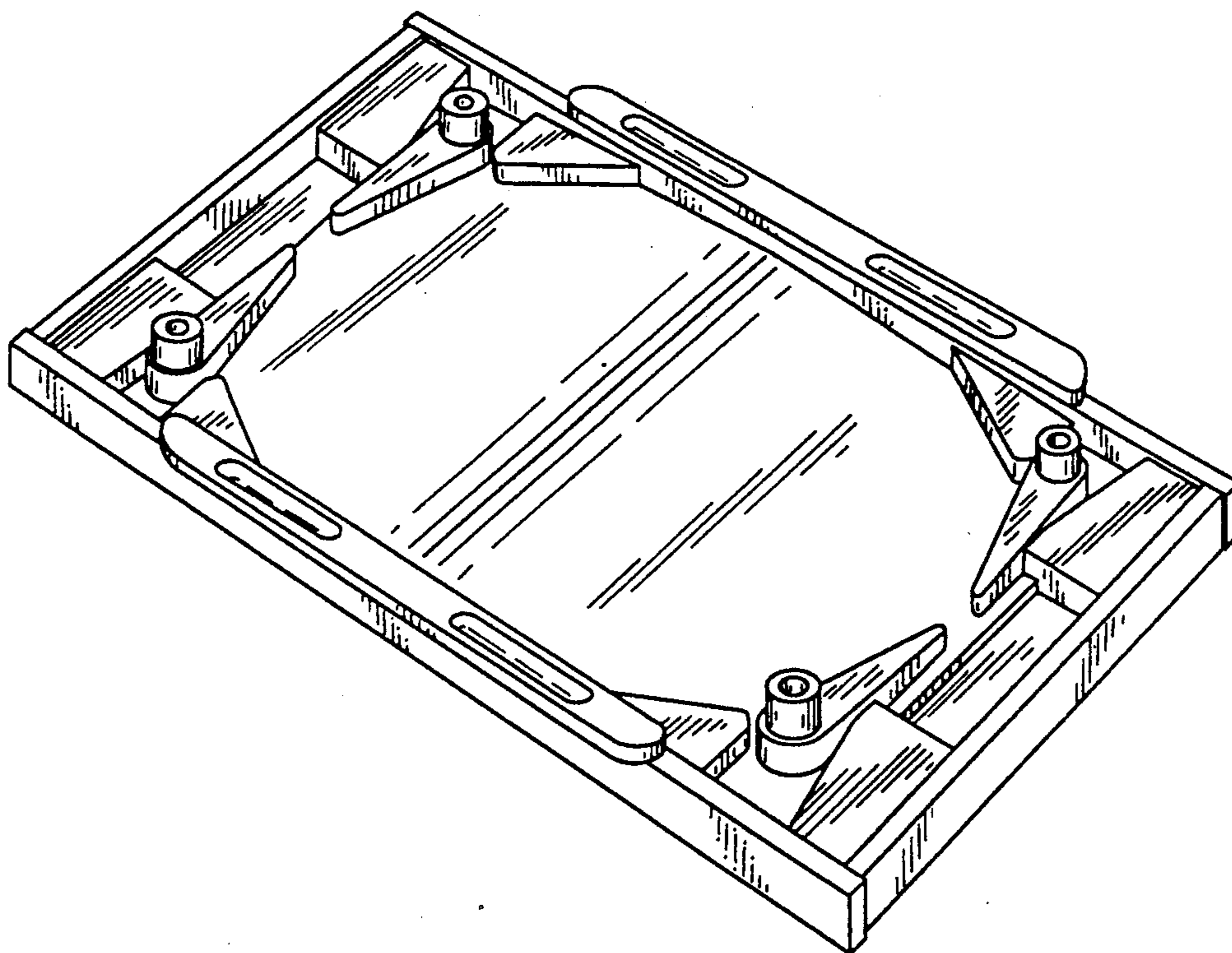
U.S. PATENT DOCUMENTS

D. 211,375	6/1968	Swimmer	D21/7
D. 249,732	9/1978	Patterson	D21/10
D. 264,855	6/1982	Ohkado	D21/10
3,907,293	9/1975	Werner	273/85 A
4,037,842	7/1977	Breslow	273/127 R

Primary Examiner—Bernard Ansher
Assistant Examiner—Prabhakar Deshmukh
Attorney, Agent, or Firm—Kolisch, Hartwell, Dickinson, McCormack & Heuser

[57] CLAIM

The ornamental design for game board, as shown and described.



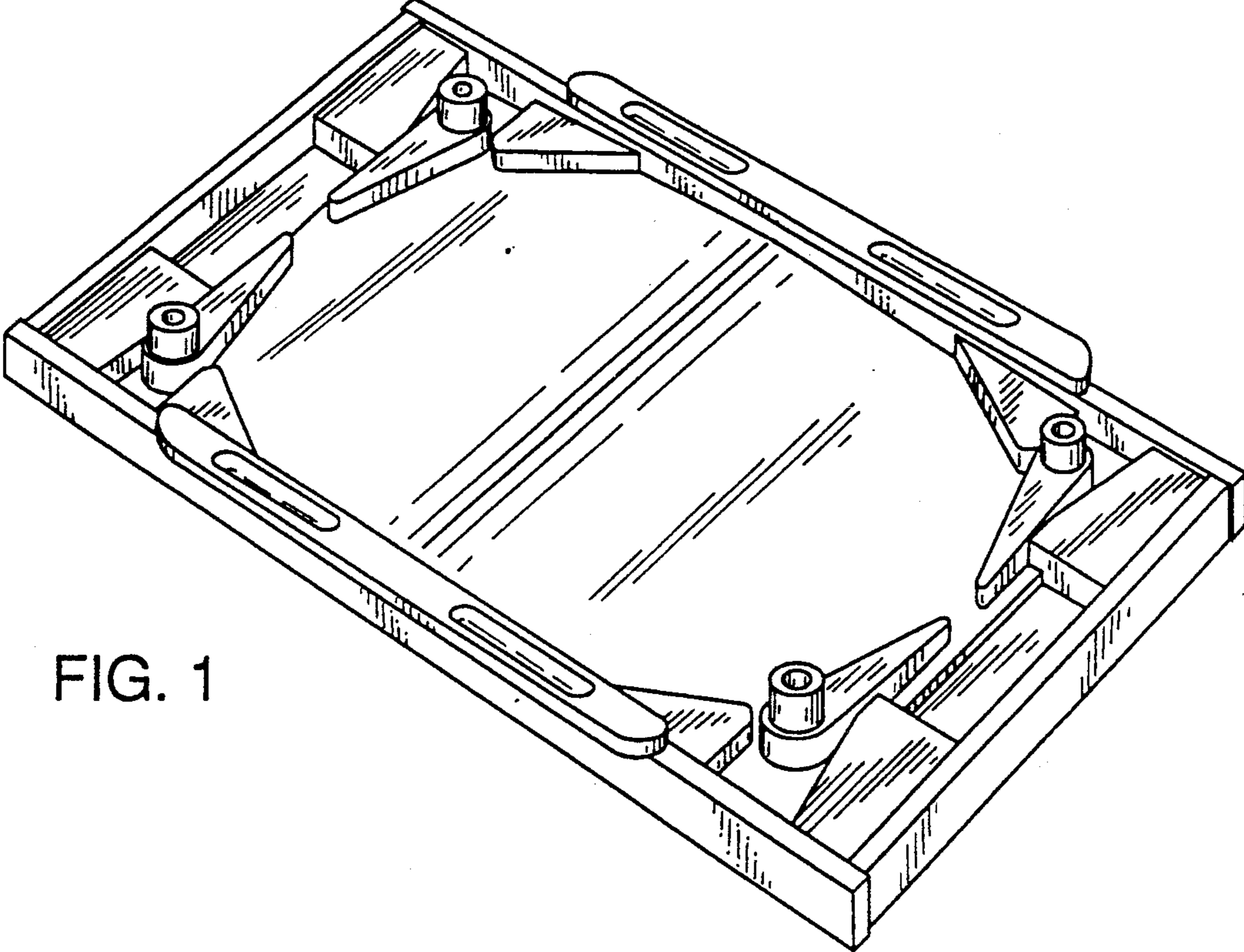


FIG. 1

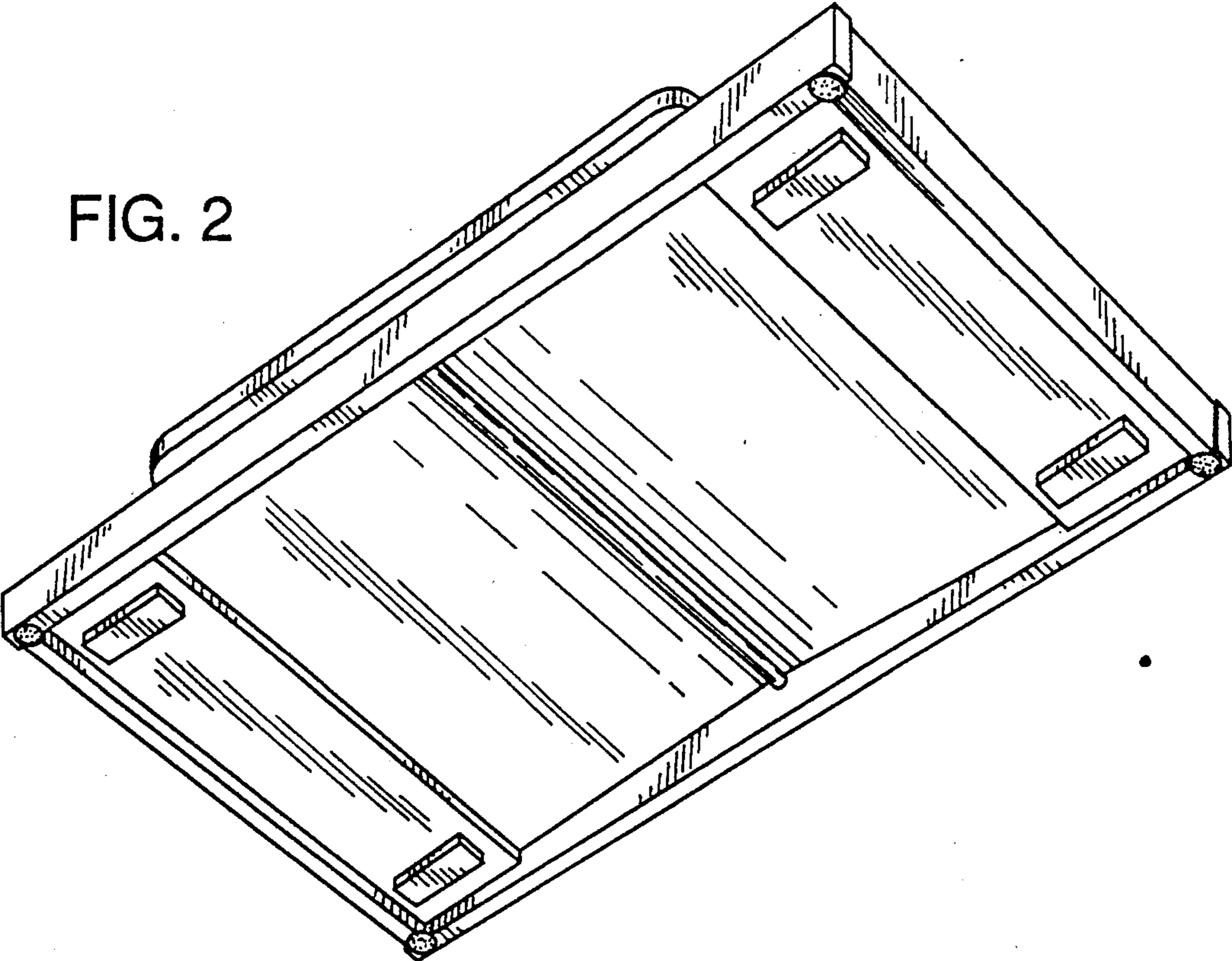


FIG. 2

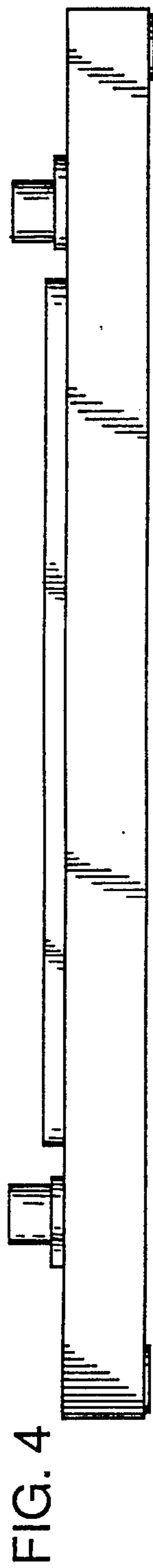
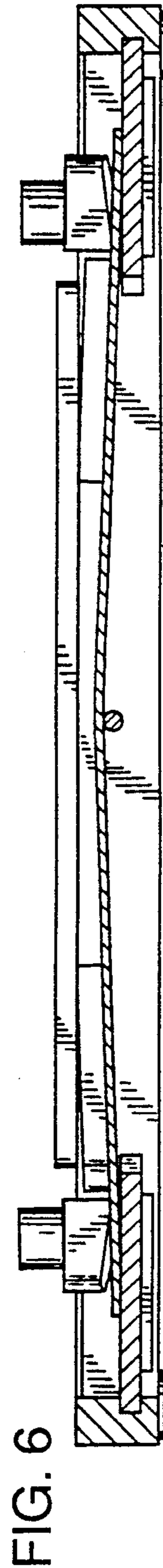
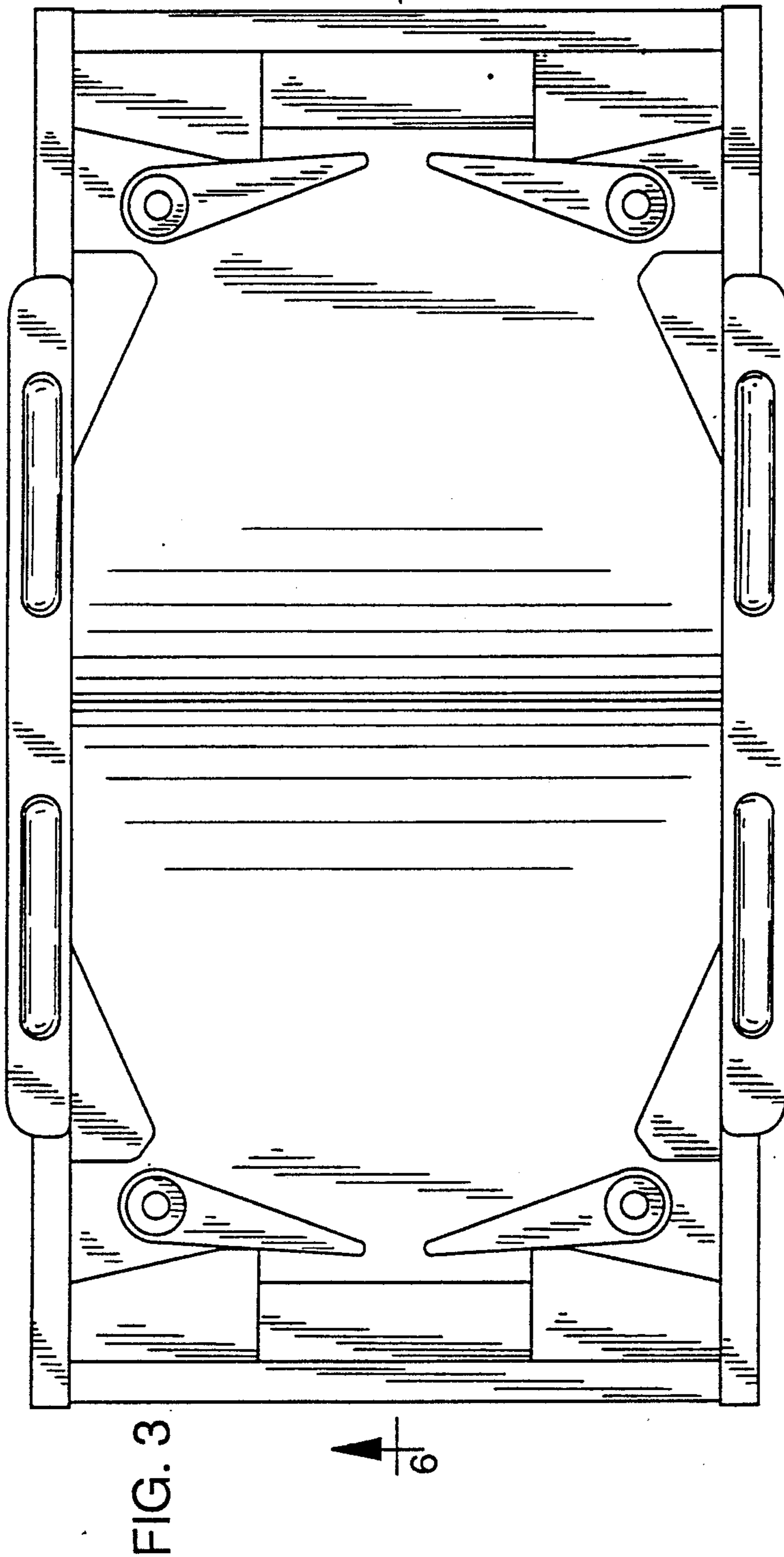
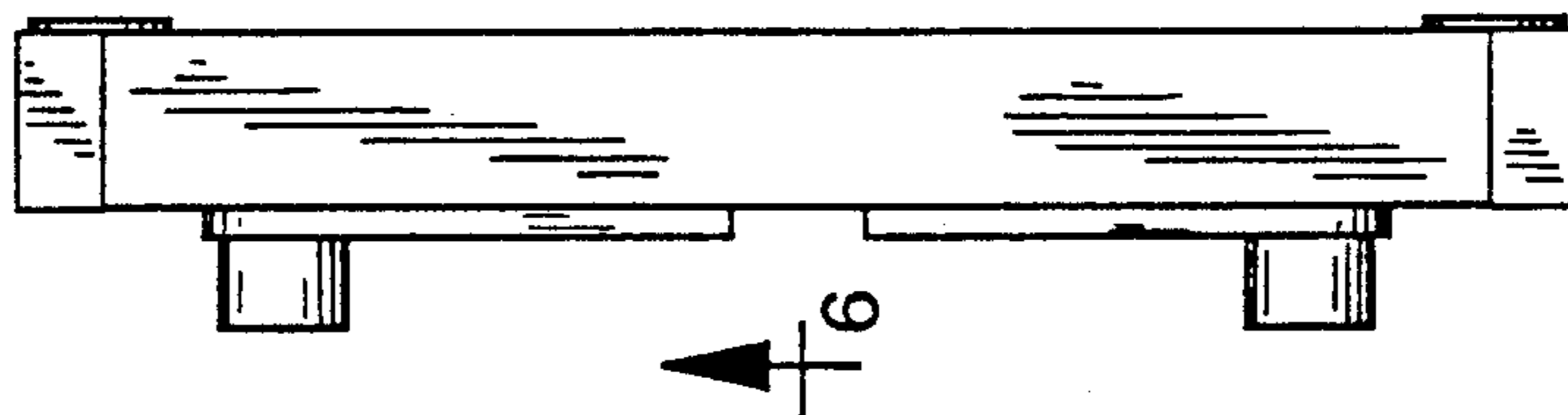


FIG. 5



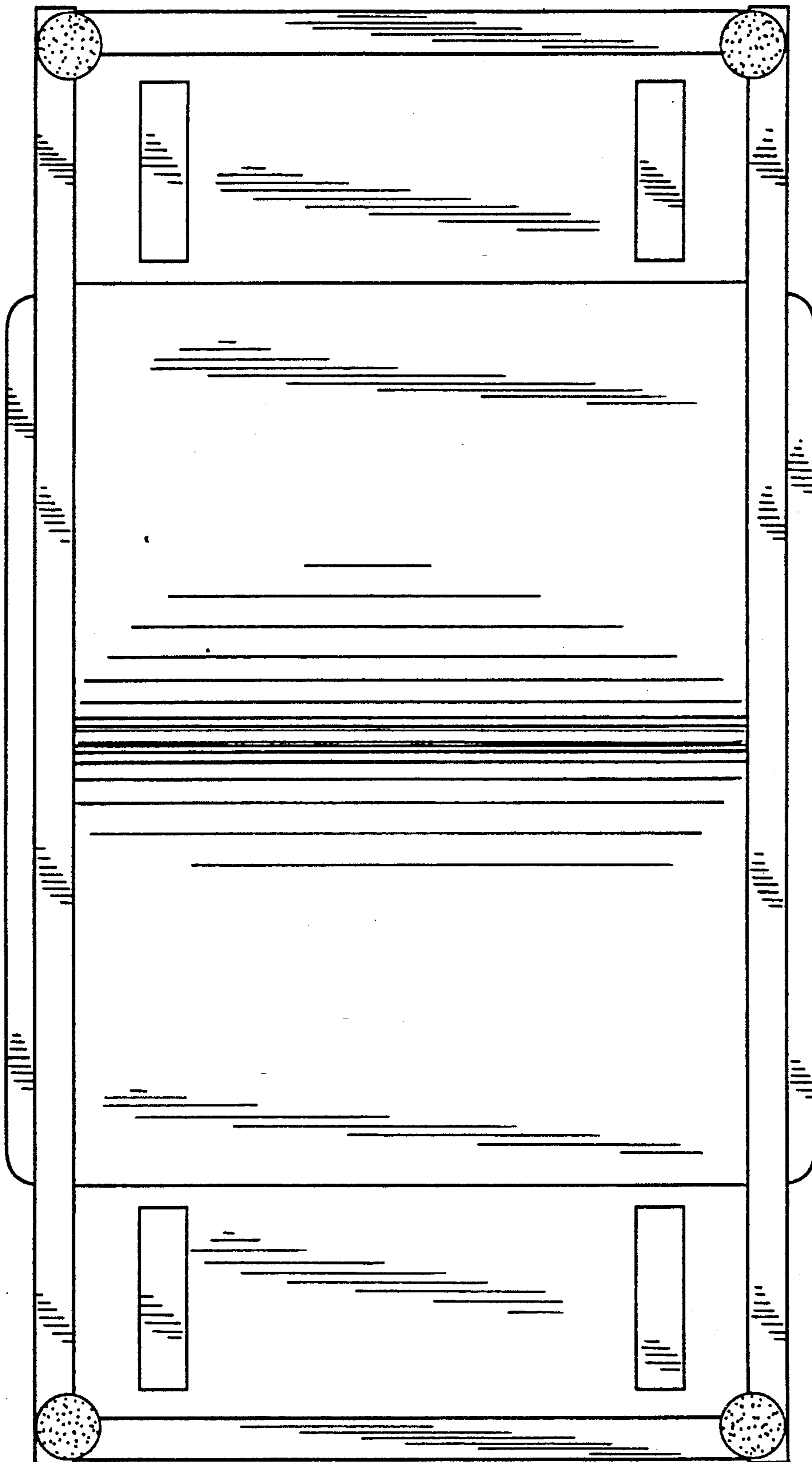


FIG. 7

FIG. 8

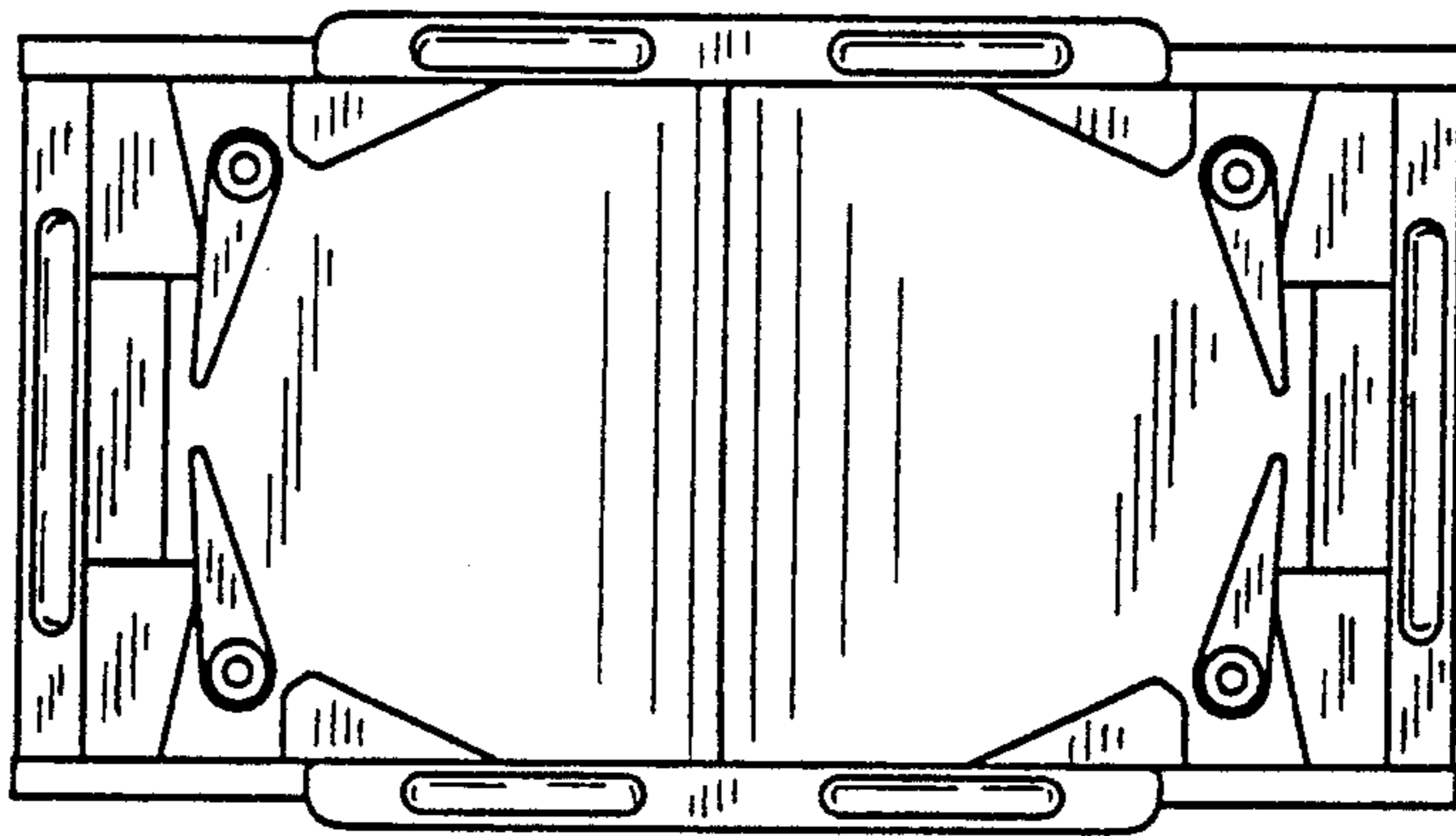


FIG. 9

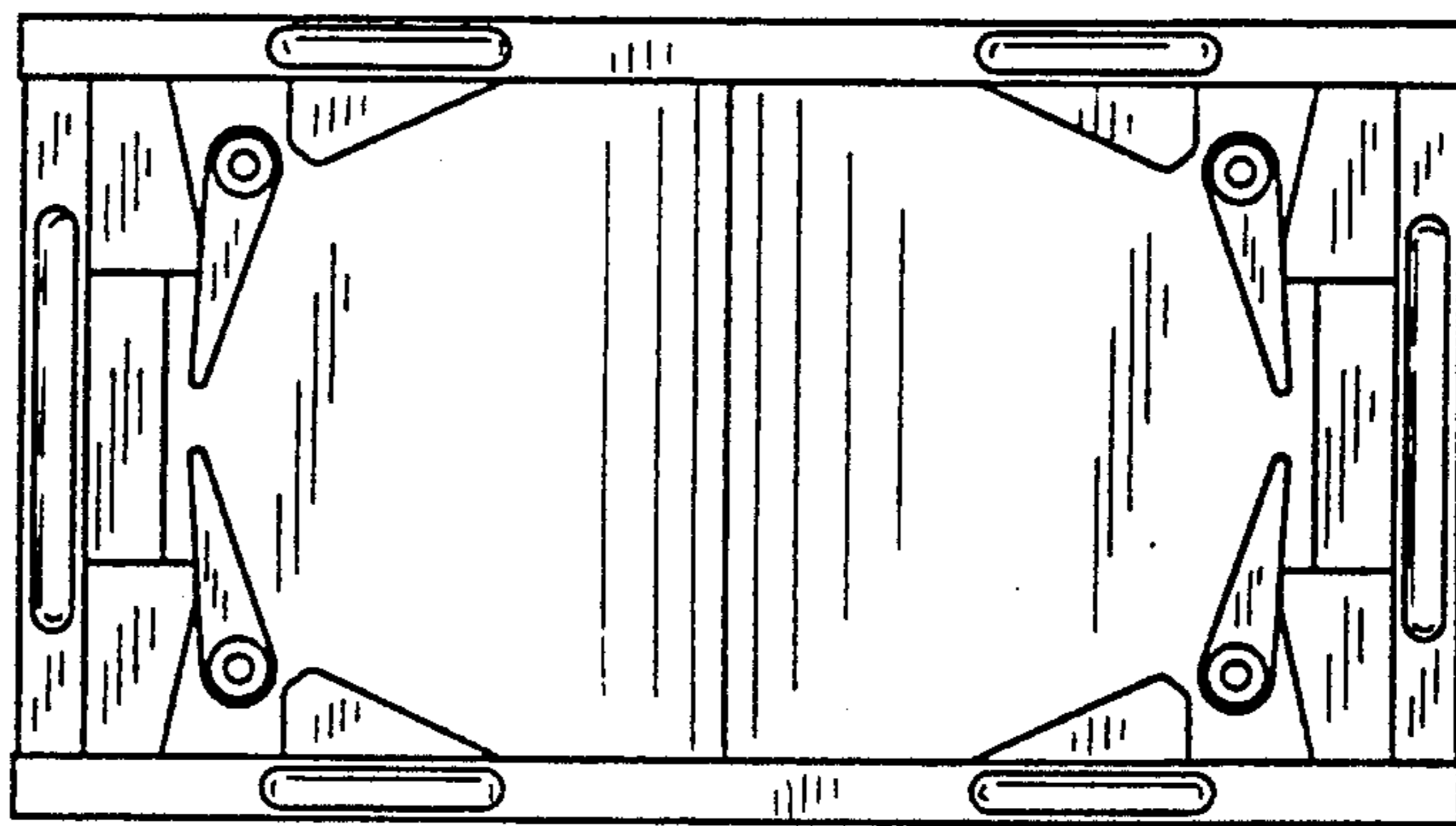


FIG. 10

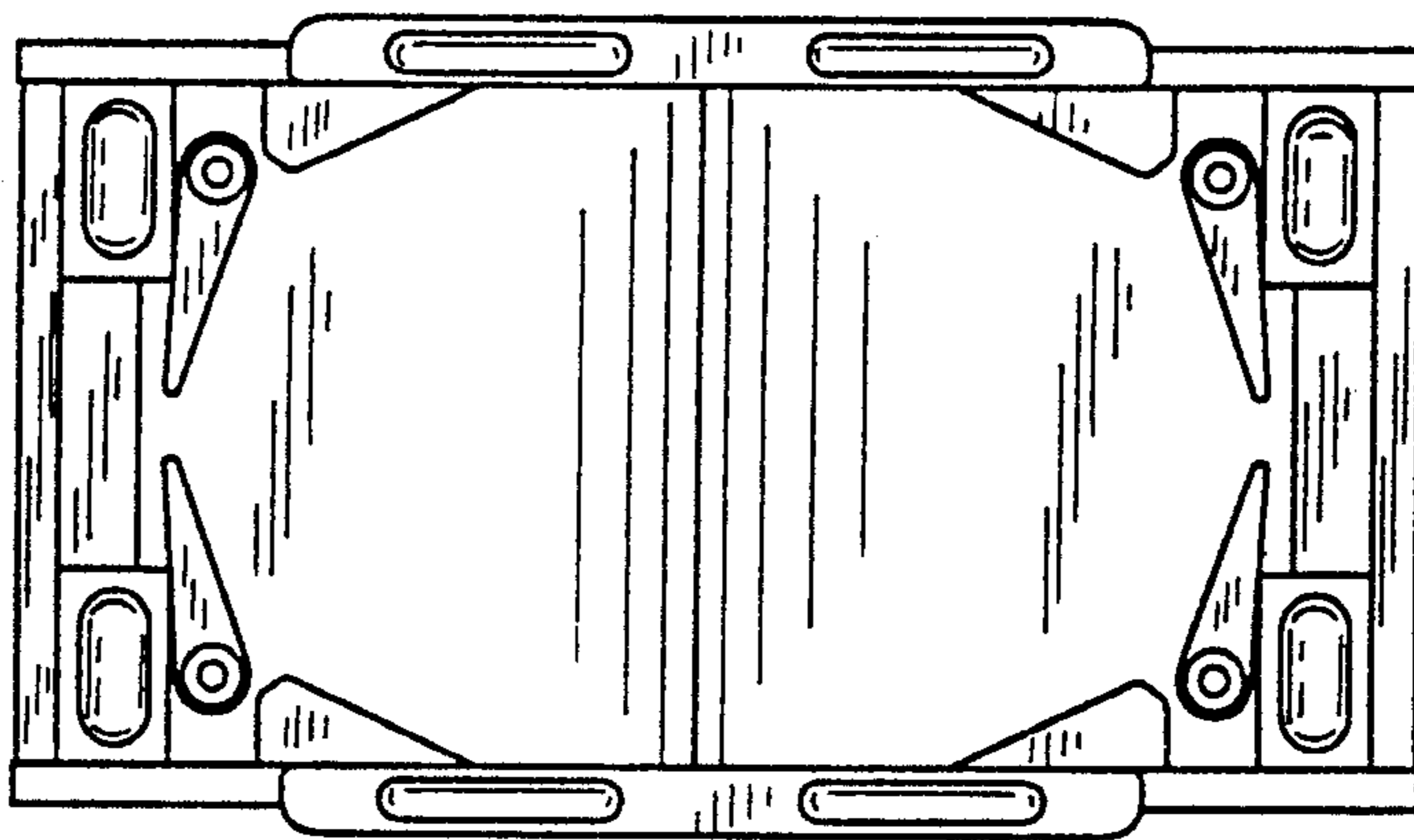


FIG. 11

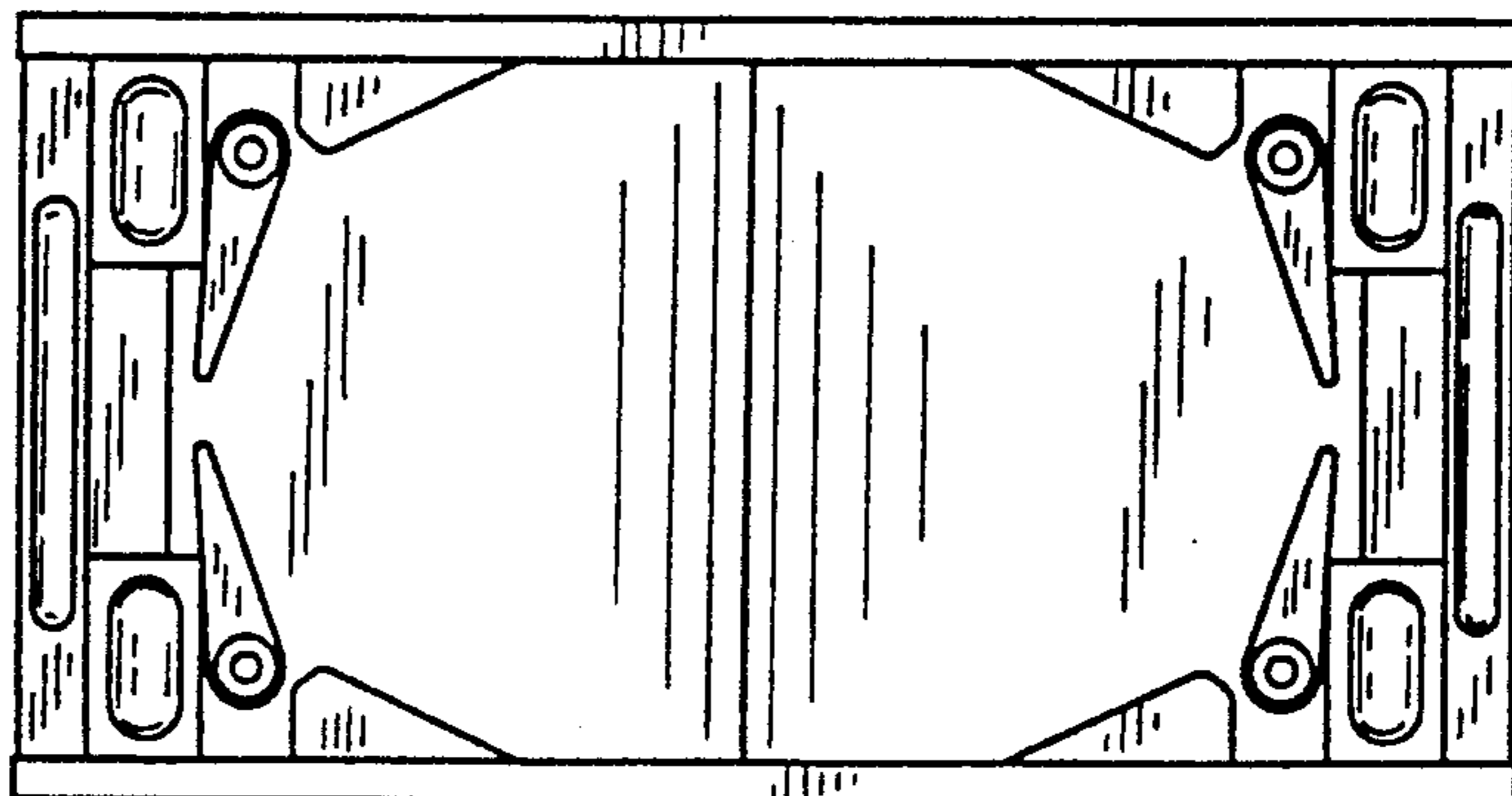


FIG. 12

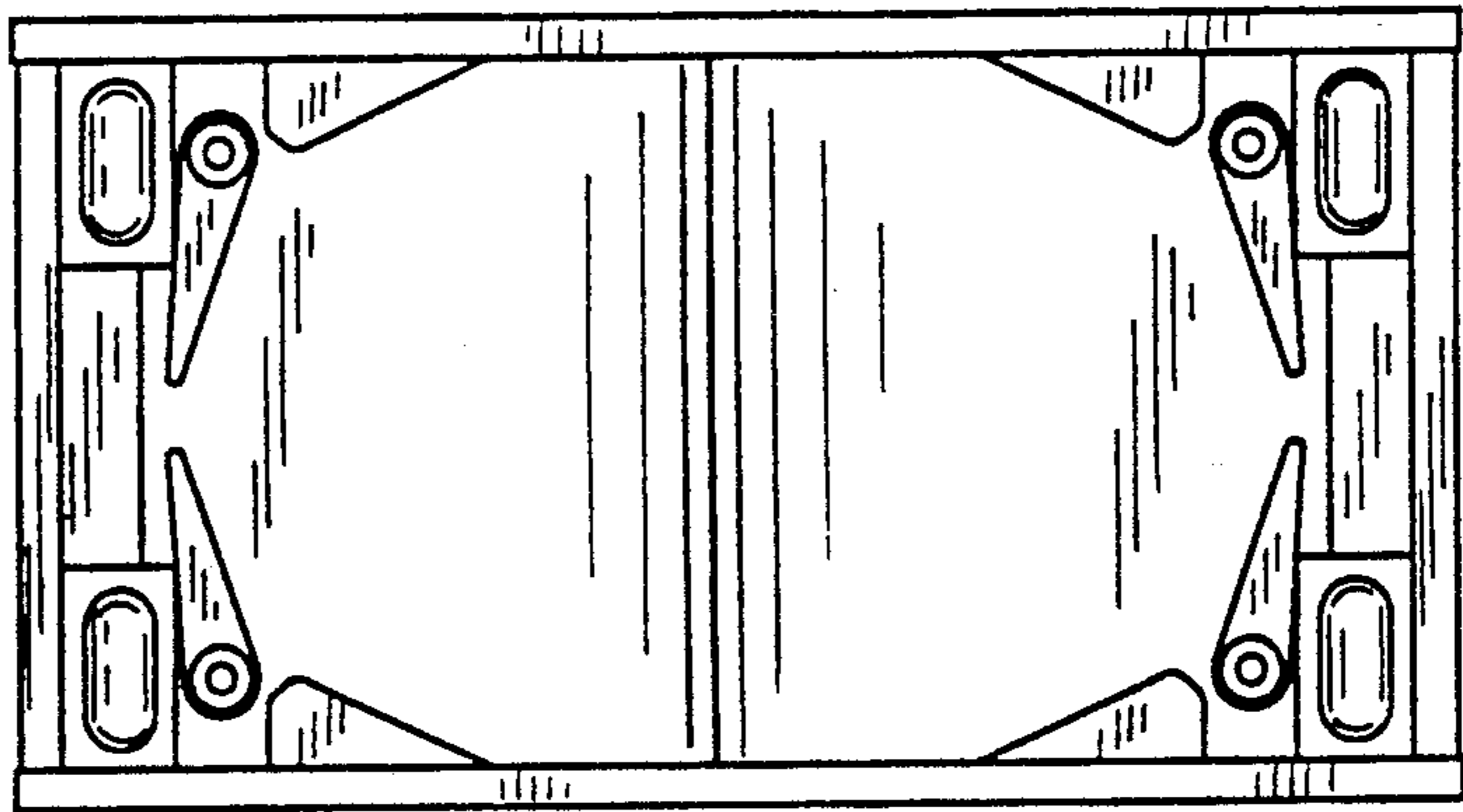


FIG. 13

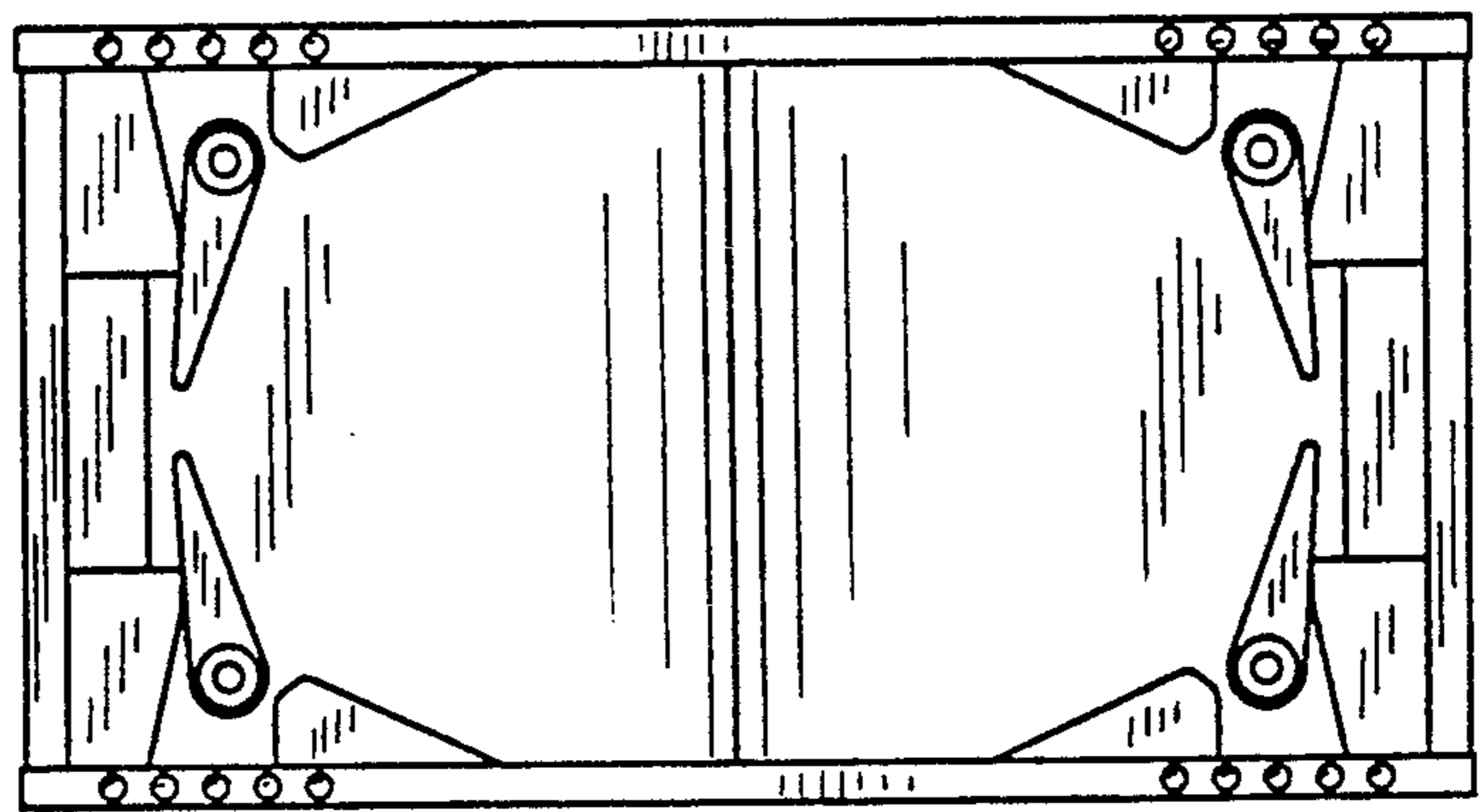


FIG. 14

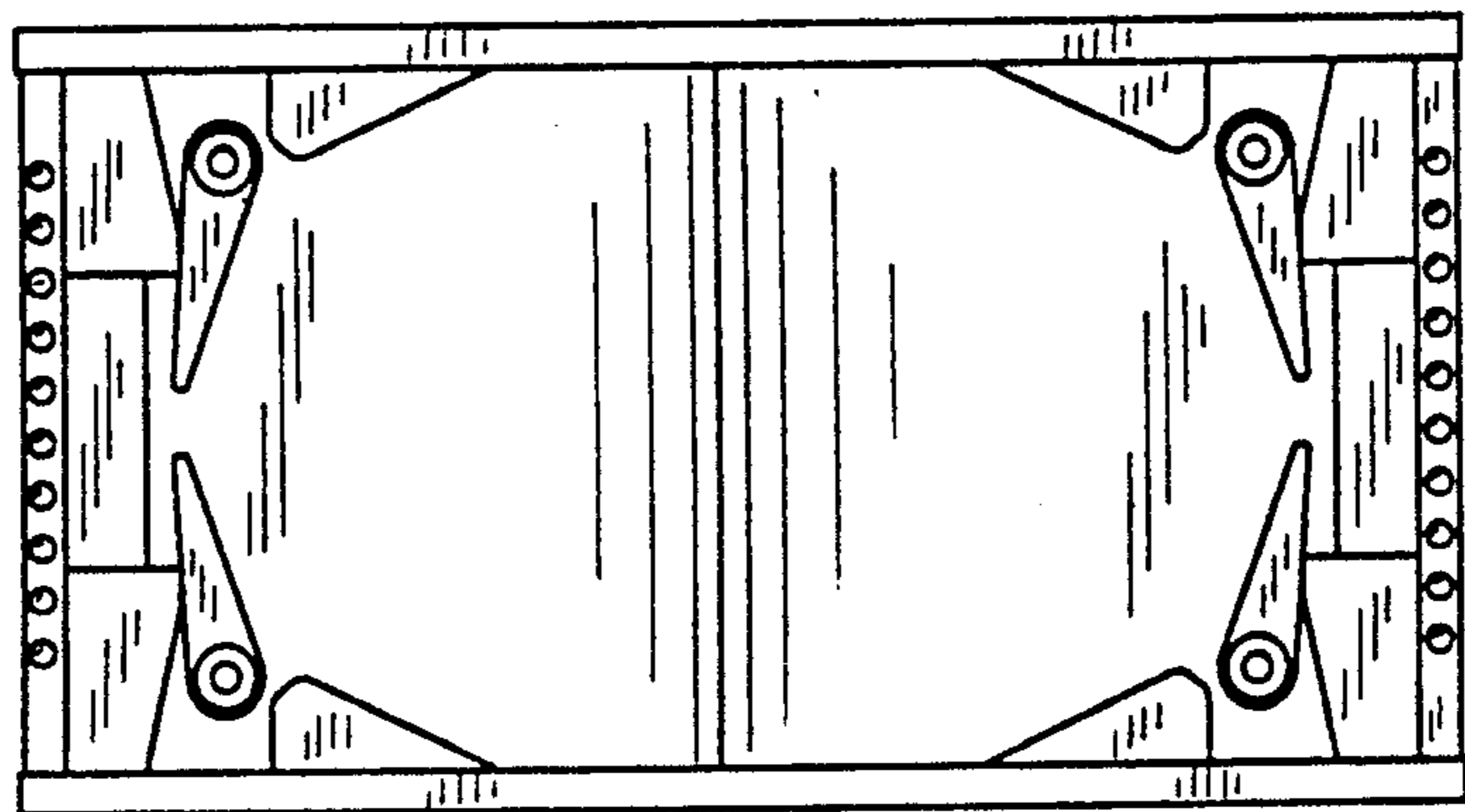


FIG. 15

