



US00D327914S

United States Patent [19] Tsay

[11] Patent Number: **Des. 327,914**
[45] Date of Patent: **** Jul. 14, 1992**

[54] **PAPER CLIP DISPENSER**
[76] Inventor: **Shui C. Tsay**, 2 Fl., No. 79-4, Chyong
Lin Nan Rd., Hsin Chuang City,
Taipei Hsien, Taiwan
[**] Term: **14 Years**
[21] Appl. No.: **604,433**
[22] Filed: **Oct. 26, 1990**
[52] U.S. Cl. **D19/75; D19/65;**
D19/95; D19/100
[58] Field of Search **D19/65, 67, 75, 77,**
D19/92, 95, 96, 99, 100; D3/20, 30.1, 39;
D9/428; 206/214, 336, 338, 371; 221/212, 217

D. 310,105 8/1990 Murphy et al. D19/75
D. 316,566 4/1991 Sun D19/75
3,061,080 10/1962 Stephen D19/75 X
3,750,868 8/1973 Cooper D19/75 X

Primary Examiner—Nelson C. Holtje
Assistant Examiner—Martha Thompson
Attorney, Agent, or Firm—Keaty & Keaty

[57] CLAIM

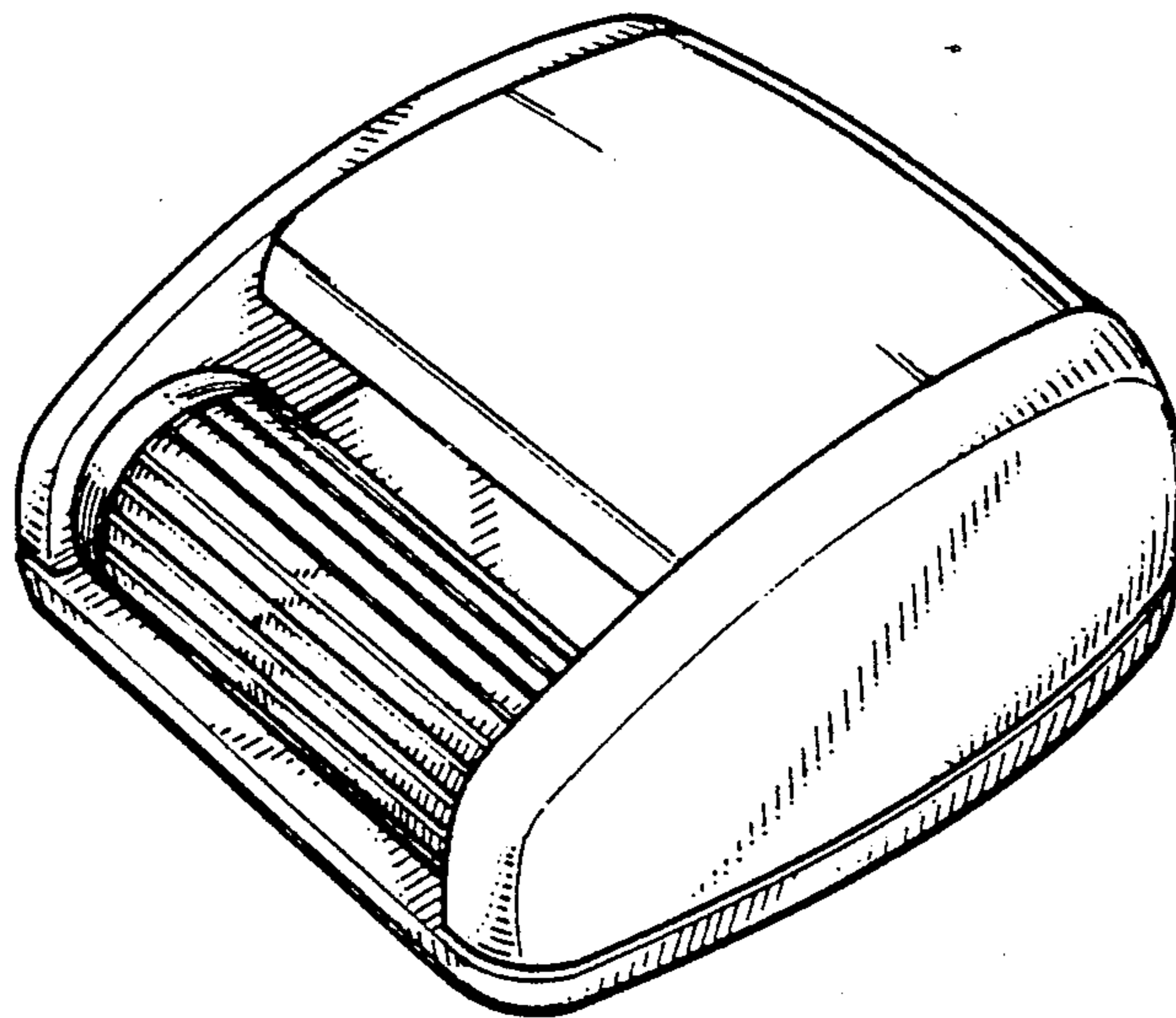
The ornamental design for paper clip dispenser, as shown and described.

DESCRIPTION

FIG. 1 is a top, right front perspective view of a paper clip dispenser showing my new design;
FIG. 2 is a front elevational view;
FIG. 3 is a rear elevational view;
FIG. 4 is a left side elevational view, the right side being a mirror image thereof;
FIG. 5 is a top plan view;
FIG. 6 is a bottom plan view; and,
FIG. 7 is a top, right front perspective view with the cover member in an opened position.

[56] References Cited U.S. PATENT DOCUMENTS

D. 231,271 4/1974 Finkel D19/75
D. 273,309 4/1984 Evenson D19/75
D. 278,641 4/1985 Henkels D19/77
D. 289,622 5/1987 Wolff D19/75
D. 308,892 6/1990 Dahle D19/75



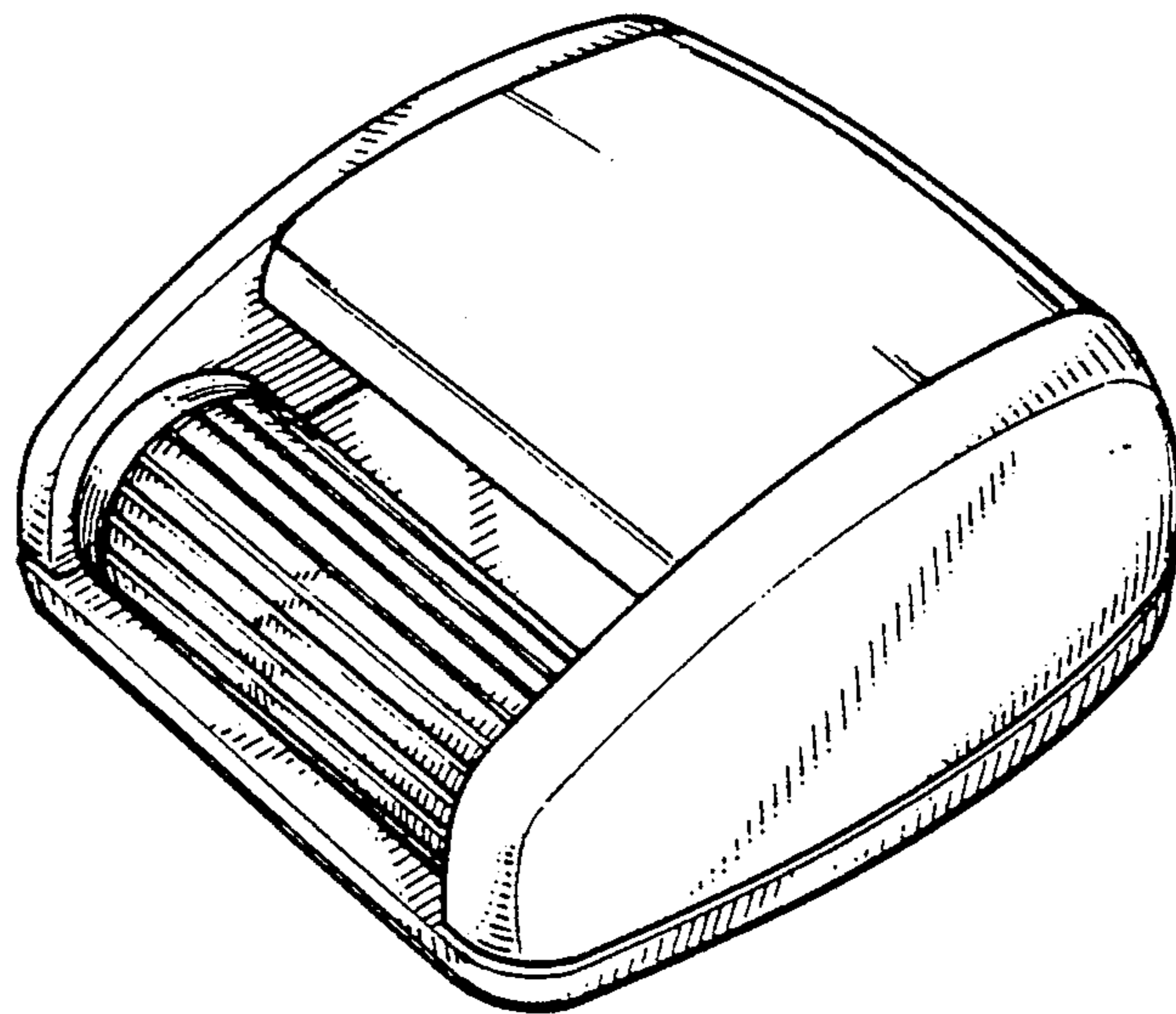


FIG. 1

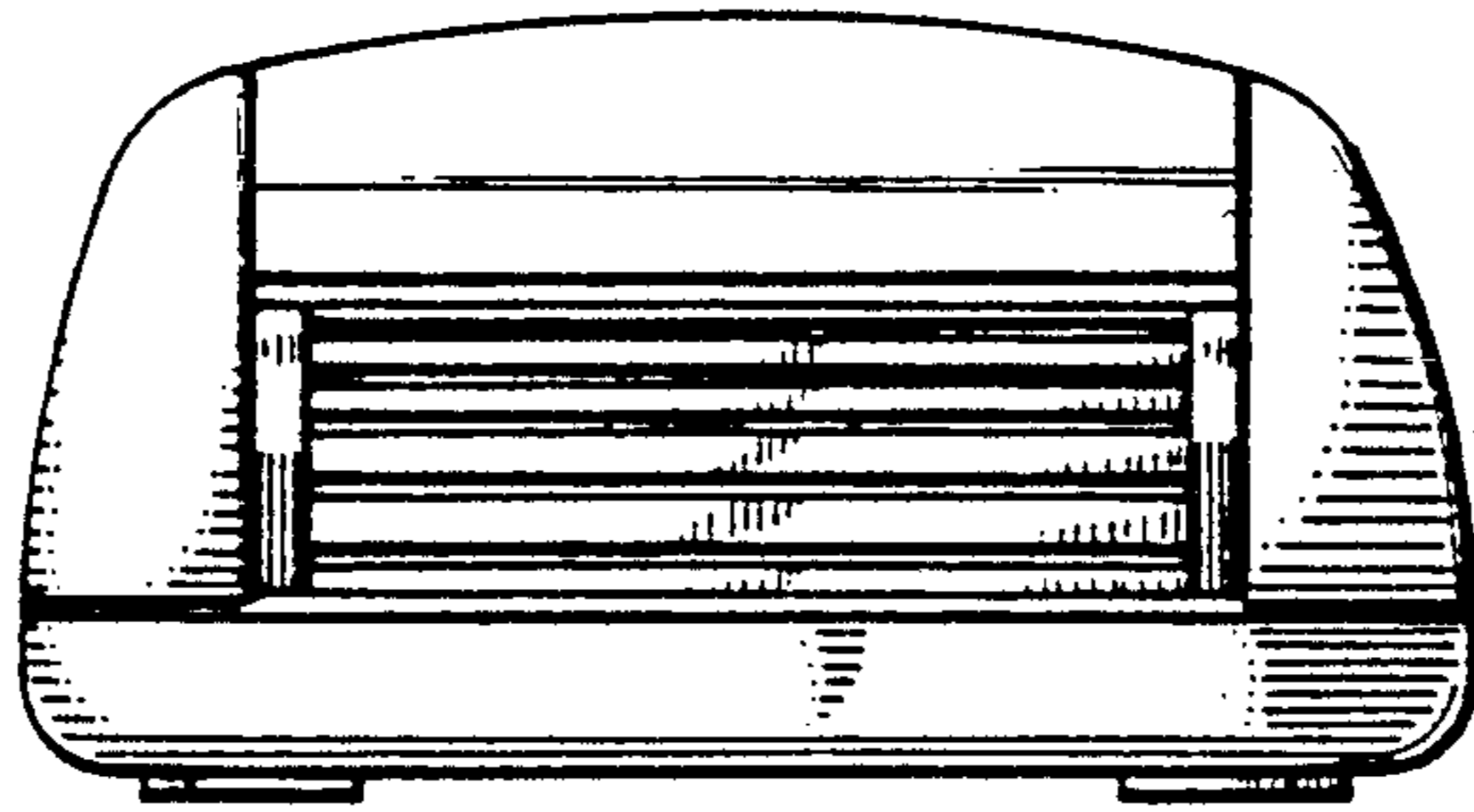


FIG. 2.

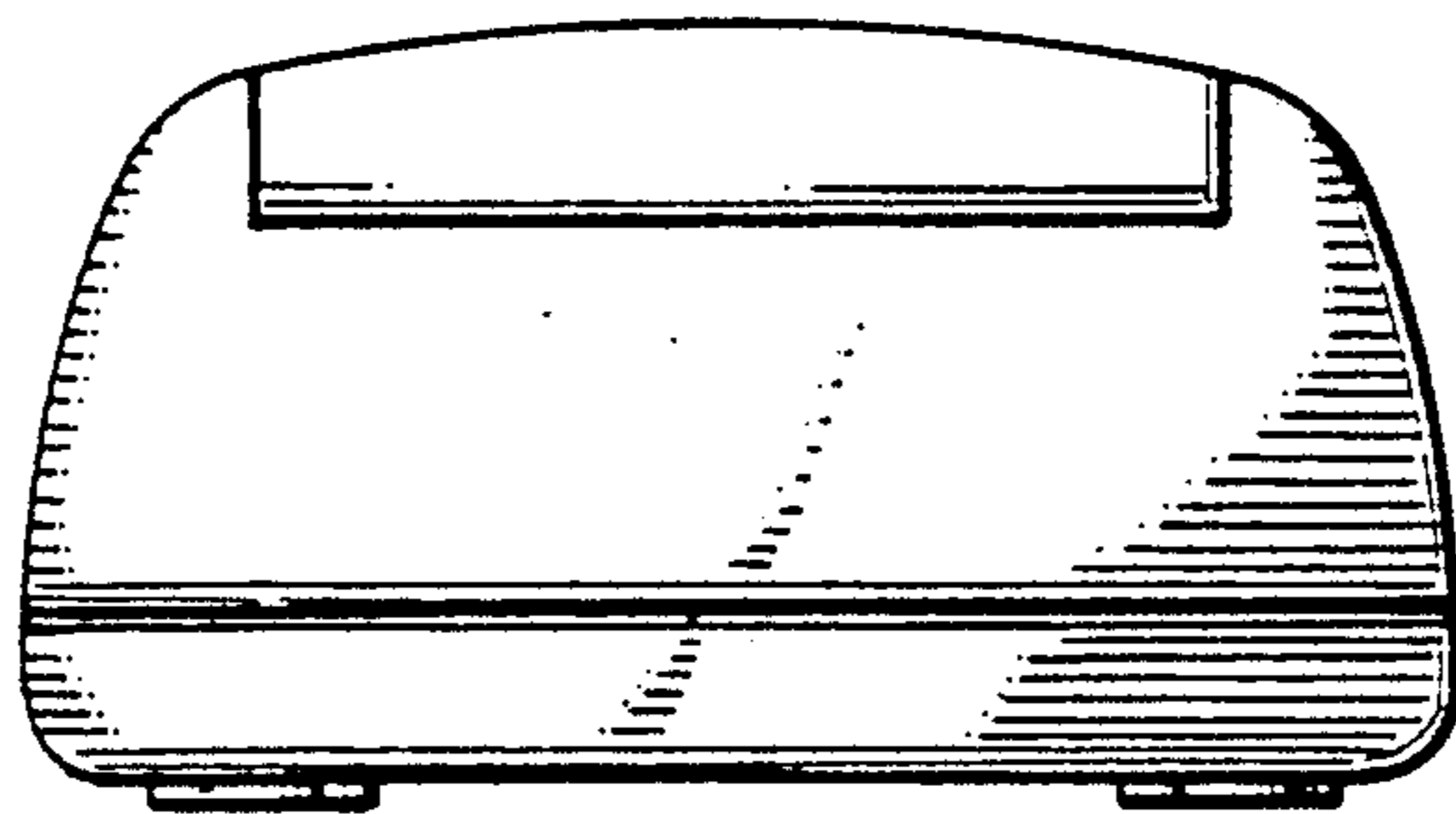


FIG. 3.

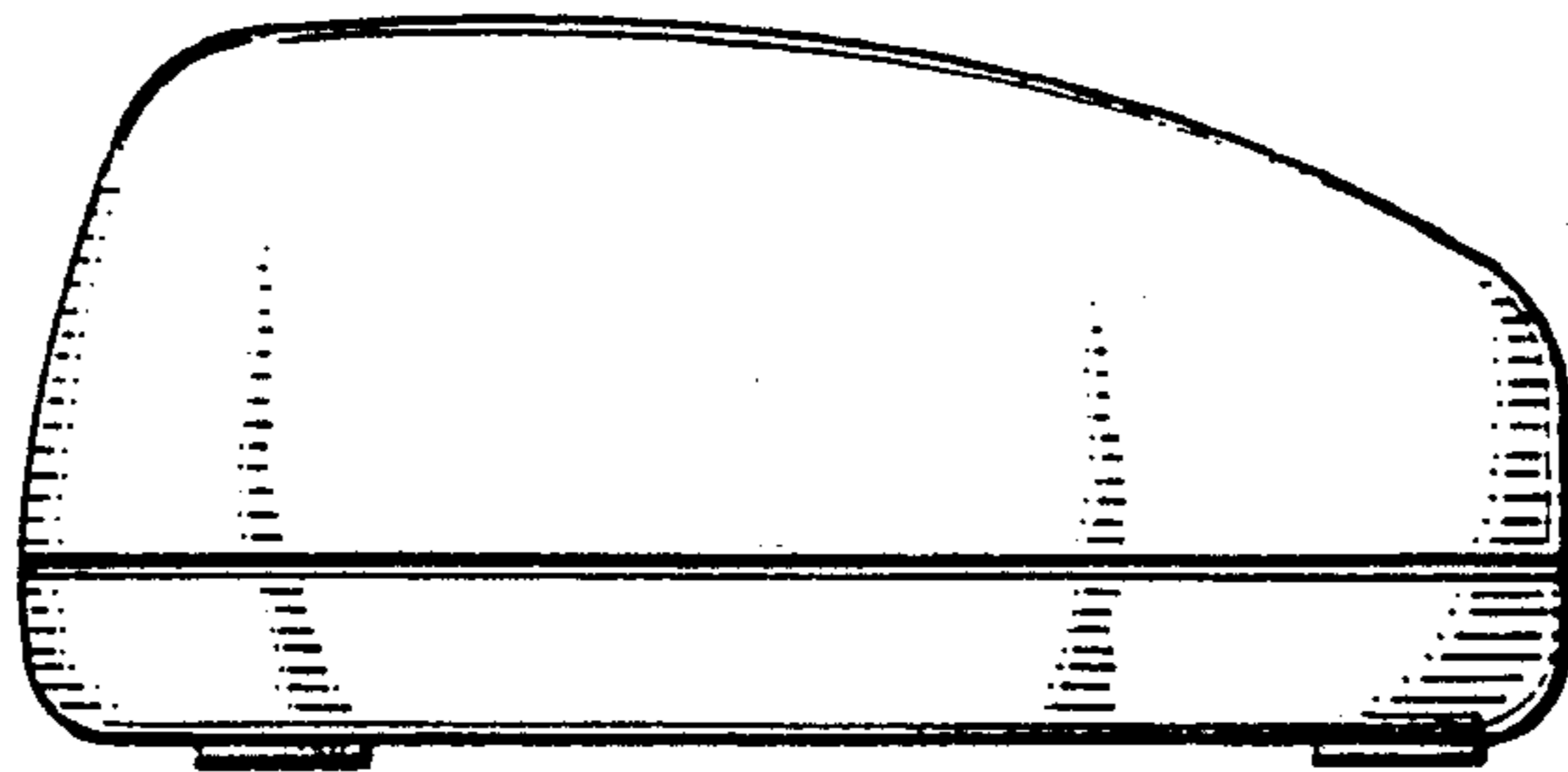


FIG. 4.

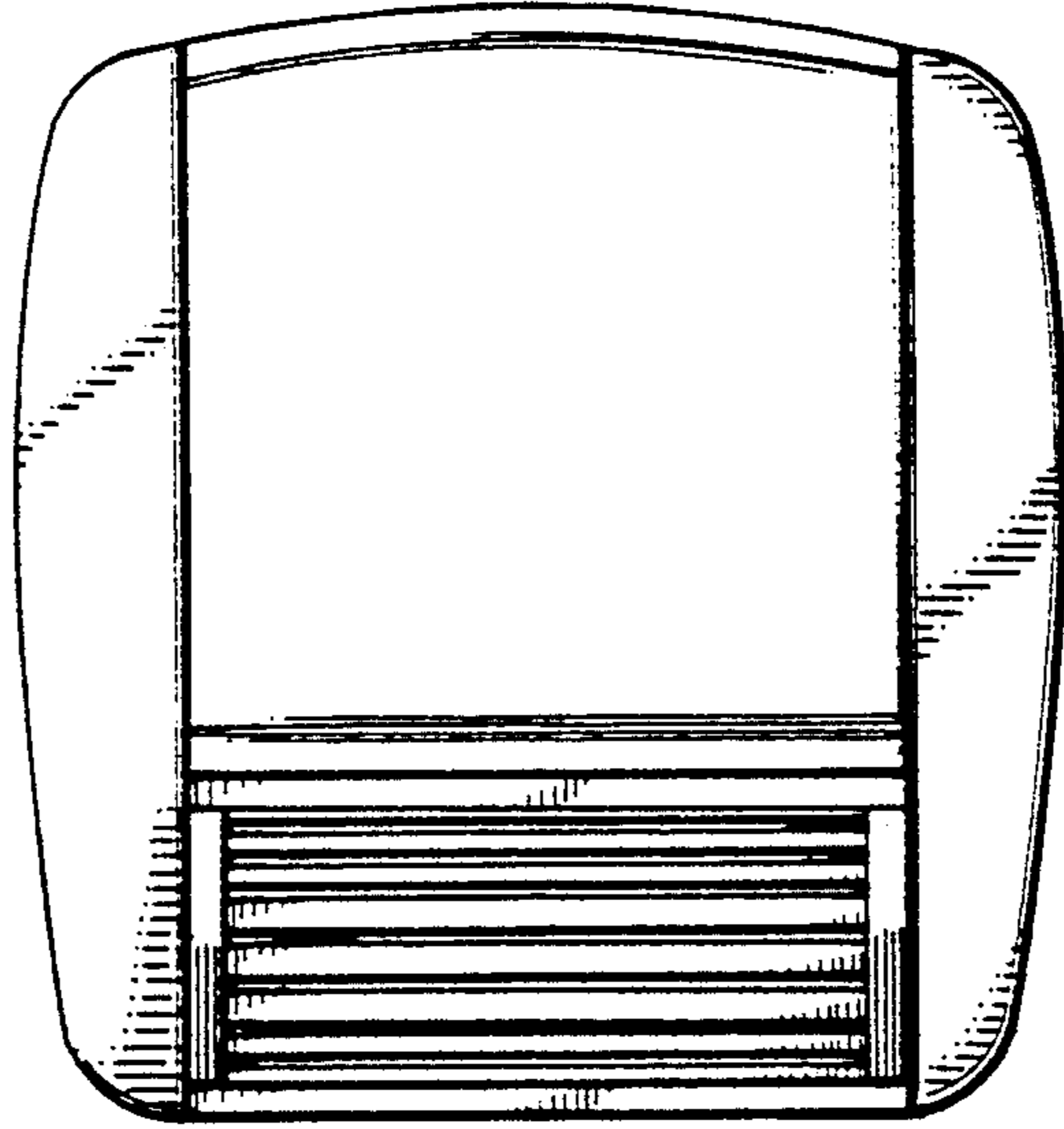


FIG. 5.

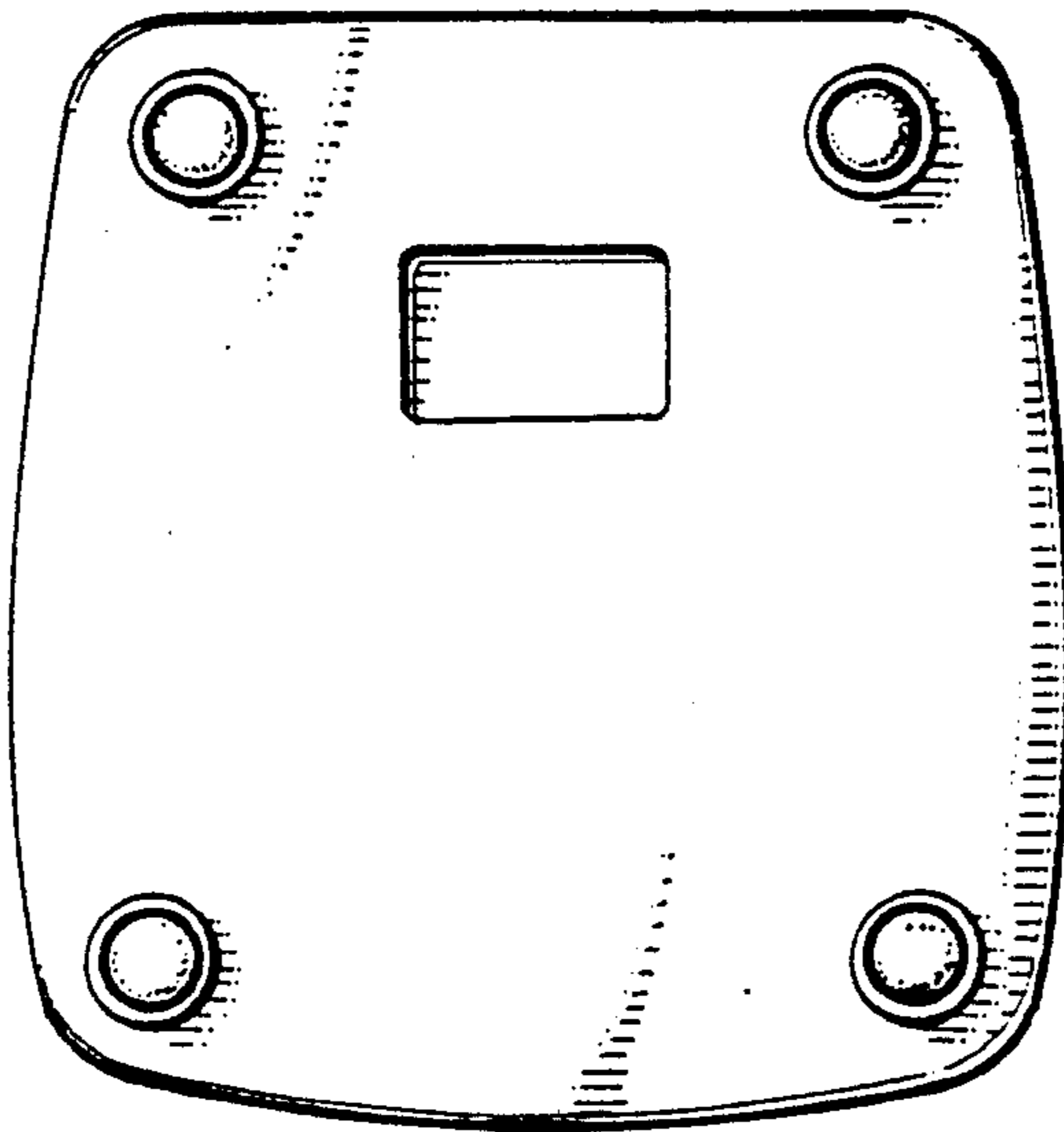


FIG. 6.

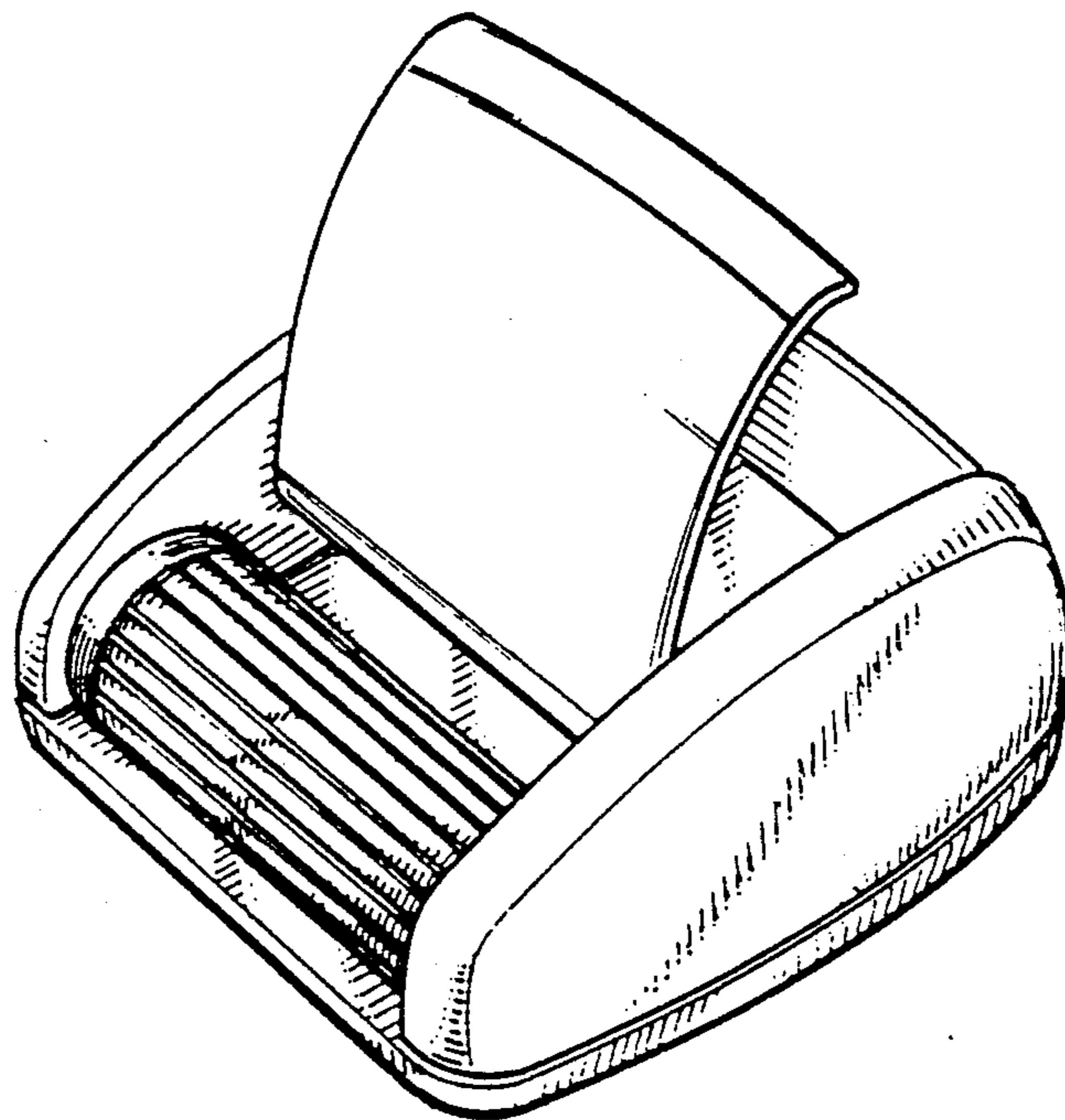


FIG. 7.