



US00D327913S

# United States Patent [19]

[11] Patent Number: **Des. 327,913**

Ancona et al.

[45] Date of Patent: **\*\* Jul. 14, 1992**

[54] FILE BOX

|           |         |           |       |         |   |
|-----------|---------|-----------|-------|---------|---|
| 312,756   | 2/1885  | Peck      | ..... | 206/214 | X |
| 1,966,742 | 7/1934  | Steinberg | ..... | 206/425 |   |
| 2,258,666 | 10/1941 | Walker    | ..... | 211/11  |   |

[75] Inventors: **Bruce Ancona; Jane Ancona**, both of New York, N.Y.

[73] Assignee: **M. Kamenstein, Inc.**, White Plains, N.Y.

[\*\*] Term: **14 Years**

[21] Appl. No.: **497,913**

[22] Filed: **Mar. 27, 1990**

[52] U.S. Cl. .... **D19/75; D3/30.1; D3/35; D19/86; D19/90**

[58] Field of Search ..... **312/183, 184; D19/65, D19/75, 76, 77, 78, 86, 90, 91, 95, 99, 100; D3/30.1, 35, 74, 78, 79; 211/10, 11, 45, 50, 55; 206/214, 425, 444, 561**

[56] **References Cited**

### U.S. PATENT DOCUMENTS

|            |         |                    |       |          |
|------------|---------|--------------------|-------|----------|
| D. 59,508  | 10/1921 | Paulson            | ..... | D19/90   |
| D. 204,425 | 4/1966  | Aronson, II et al. | ..... | D3/74    |
| D. 218,678 | 9/1970  | Current et al.     | ..... | D19/75 X |
| D. 258,027 | 1/1981  | Rache et al.       | ..... | D19/76   |
| D. 264,145 | 5/1982  | Outcalt            | ..... | D3/35    |
| D. 264,524 | 5/1982  | Merzon             | ..... | D3/79 X  |
| D. 301,154 | 5/1989  | Foran et al.       | ..... | D19/75   |
| D. 305,280 | 1/1990  | Wolff et al.       | ..... | D3/35    |

*Primary Examiner*—Donald P. Walsh  
*Assistant Examiner*—Martha Thompson  
*Attorney, Agent, or Firm*—James A. Drobile; Robert E. Rosenthal; Robert A. Koons, Jr.

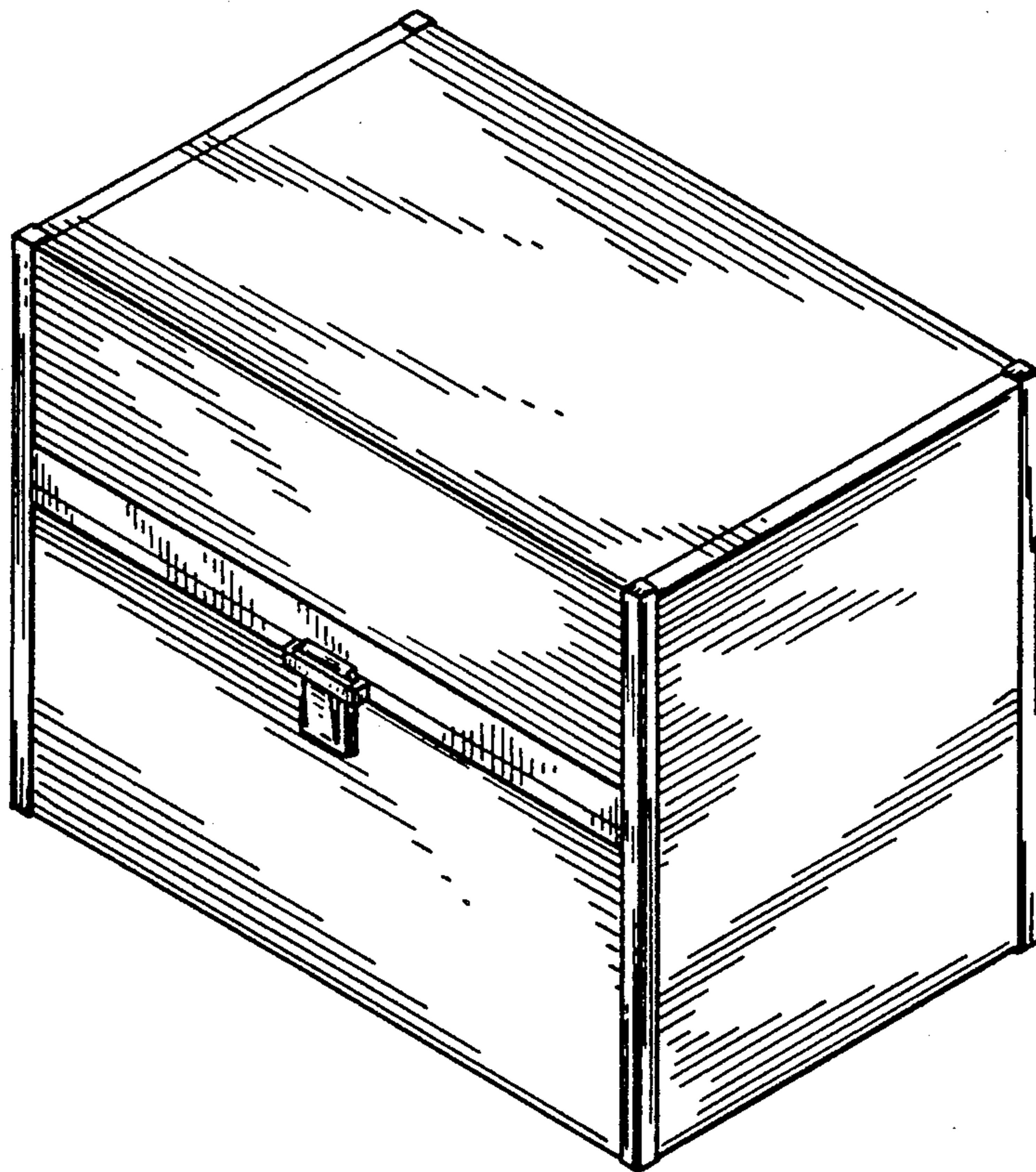
### [57] CLAIM

The ornamental design for a file box, as shown and described.

### DESCRIPTION

FIG. 1 is a top, right front perspective view of a file box showing our new design;  
 FIG. 2 is a top plan view;  
 FIG. 3 is a front elevational view;  
 FIG. 4 is a right side elevational view, the left side being a mirror image thereof;  
 FIG. 5 is a rear elevational view;  
 FIG. 6 is a top, right front perspective view of a second embodiment of our new design; and,  
 FIG. 7 is a right side elevational view of FIG. 6, the left side being a mirror image thereof.

The FIG. 1 and FIG. 6 views have been drawn to a reduced scale with respect to FIGS. 2 through 5 and 7. The bottom plan views of the embodiments of FIG. 1 and FIG. 6 are plain and ornamented.



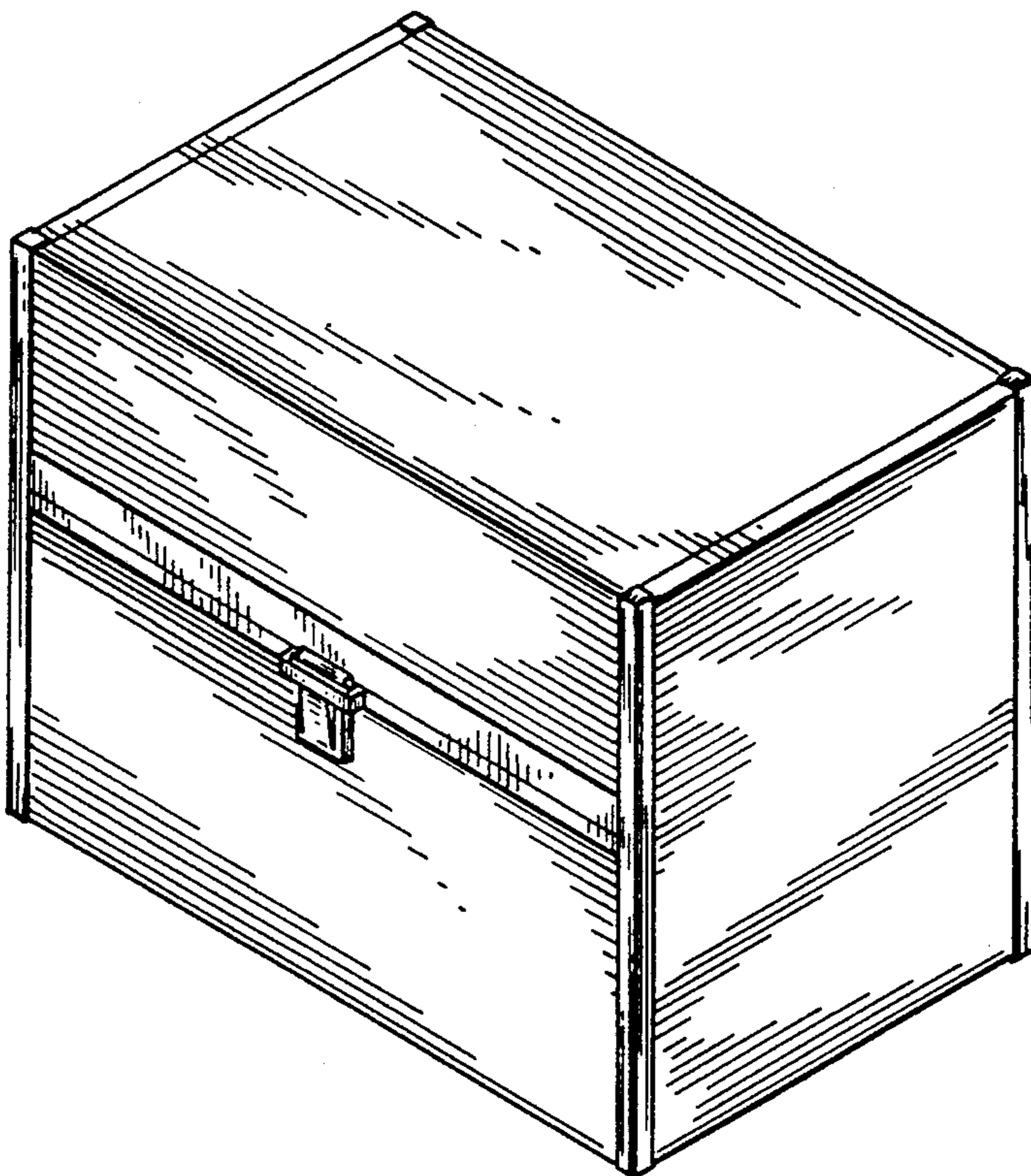


Fig. 1

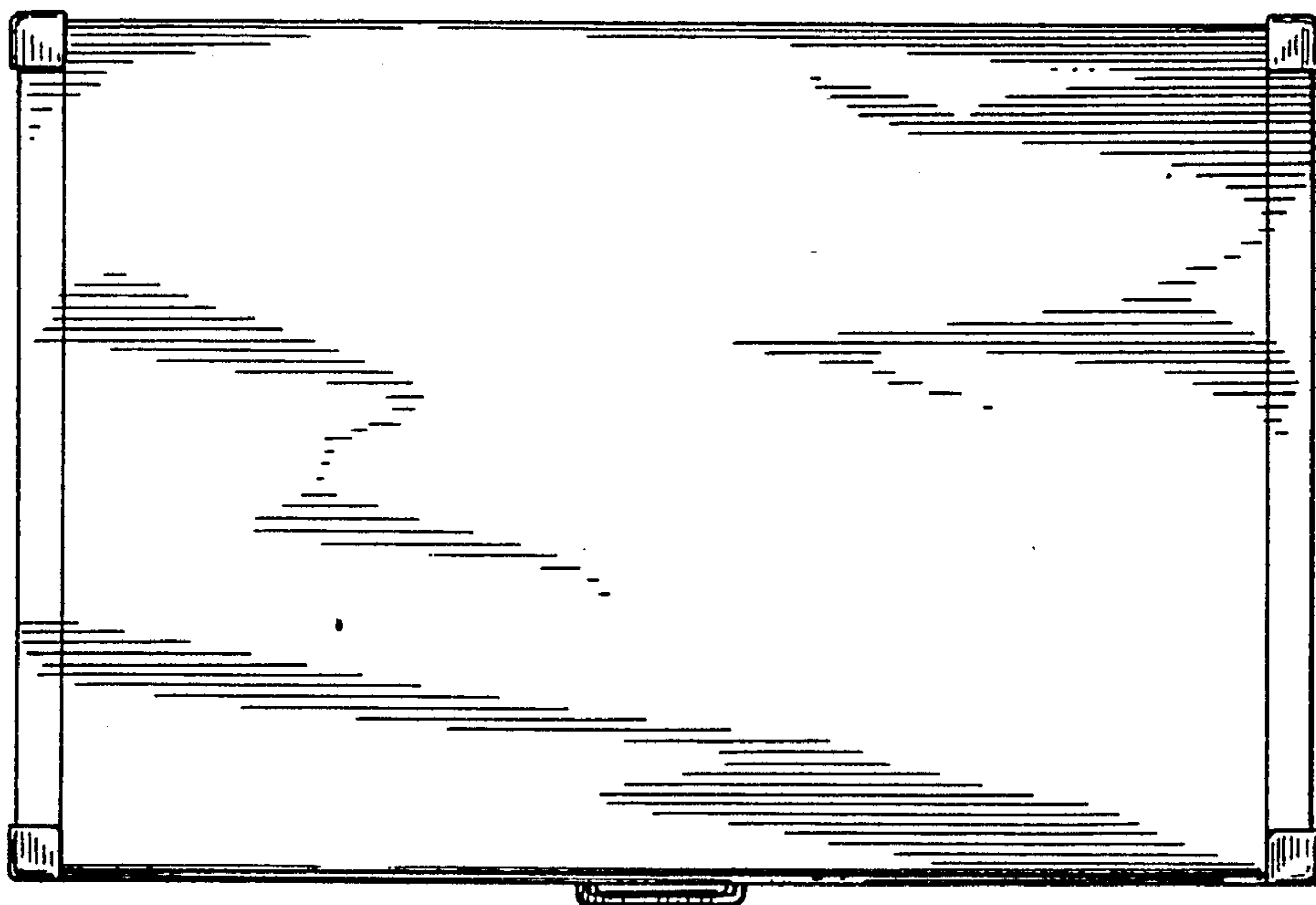
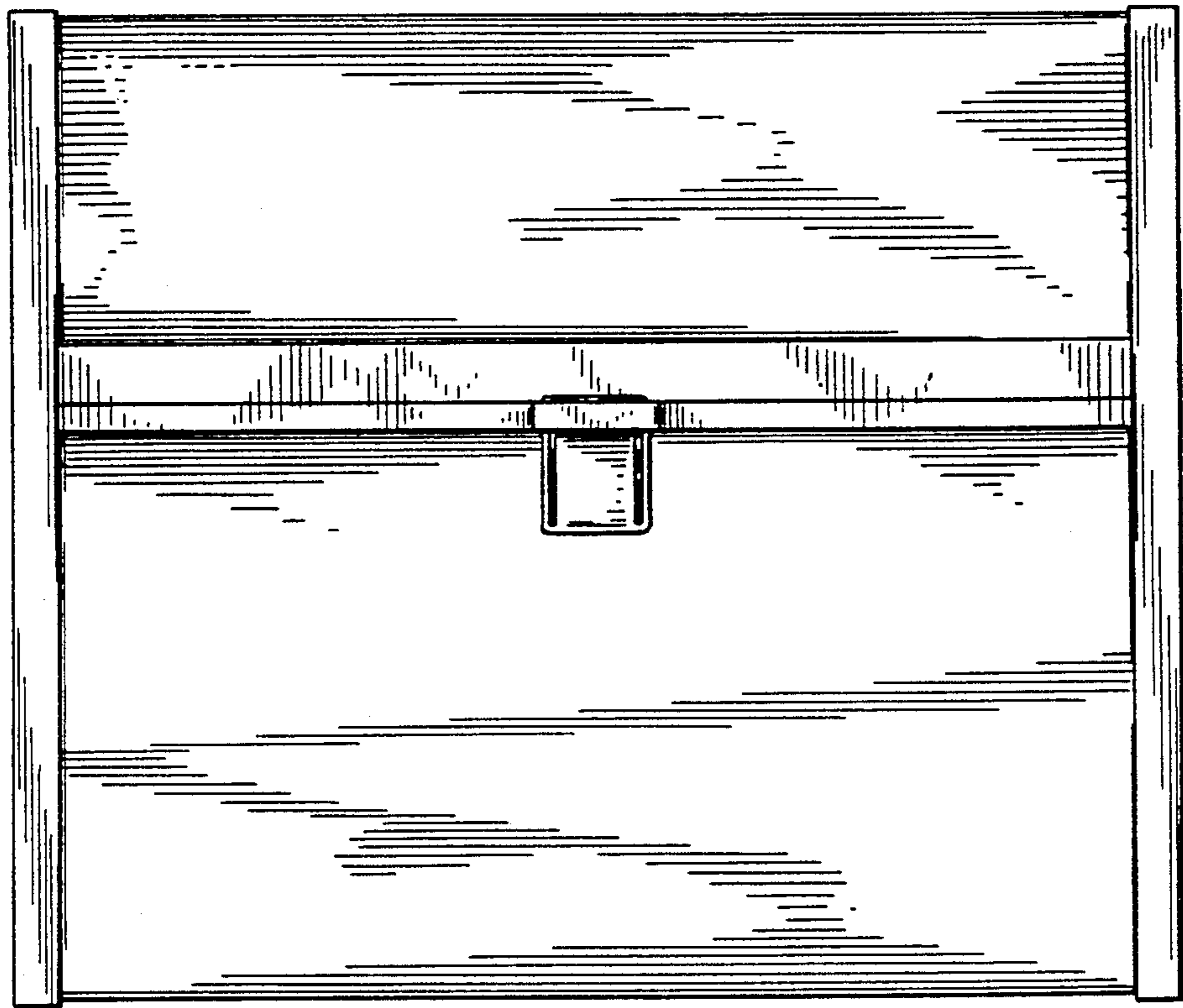
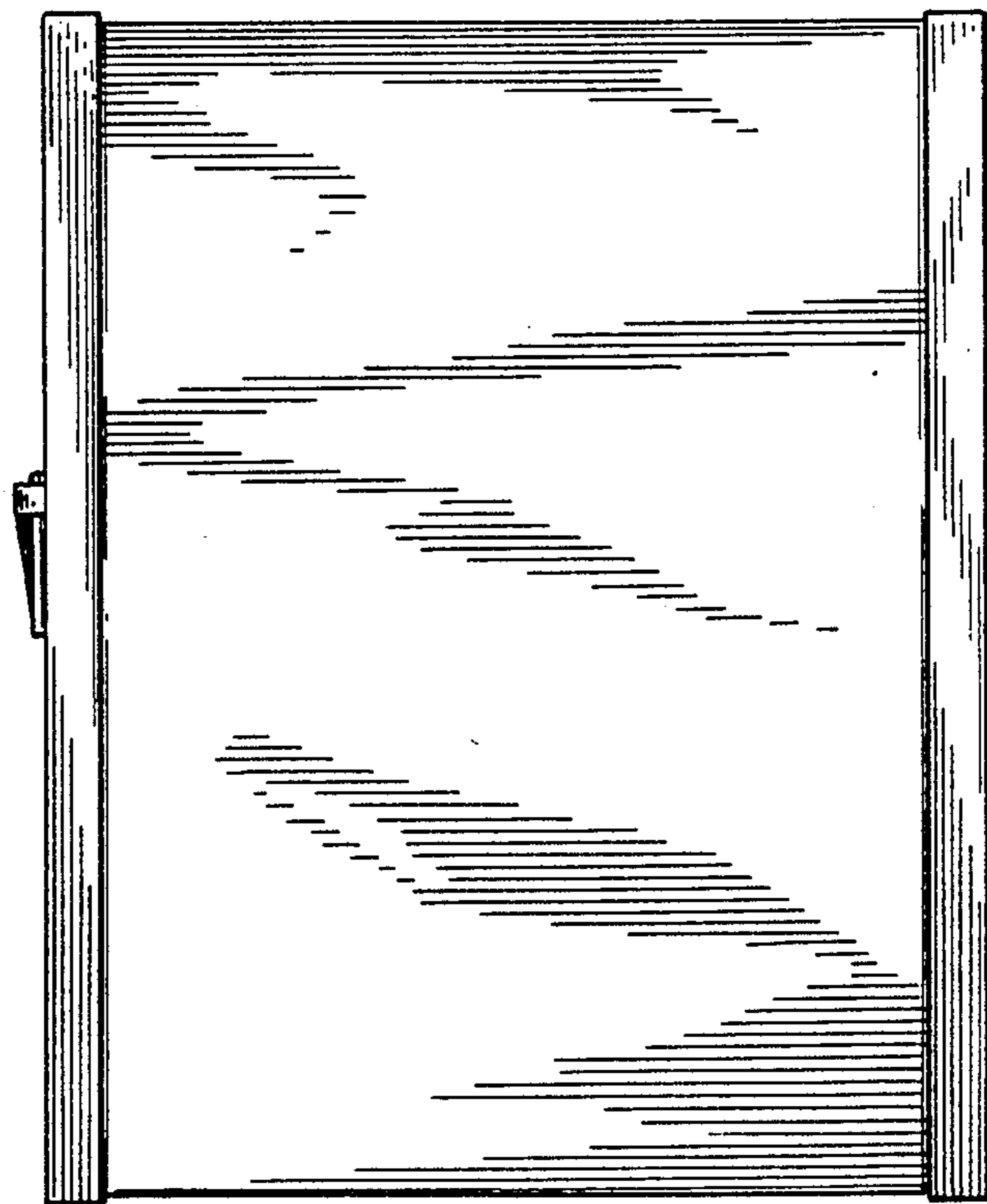


Fig. 2



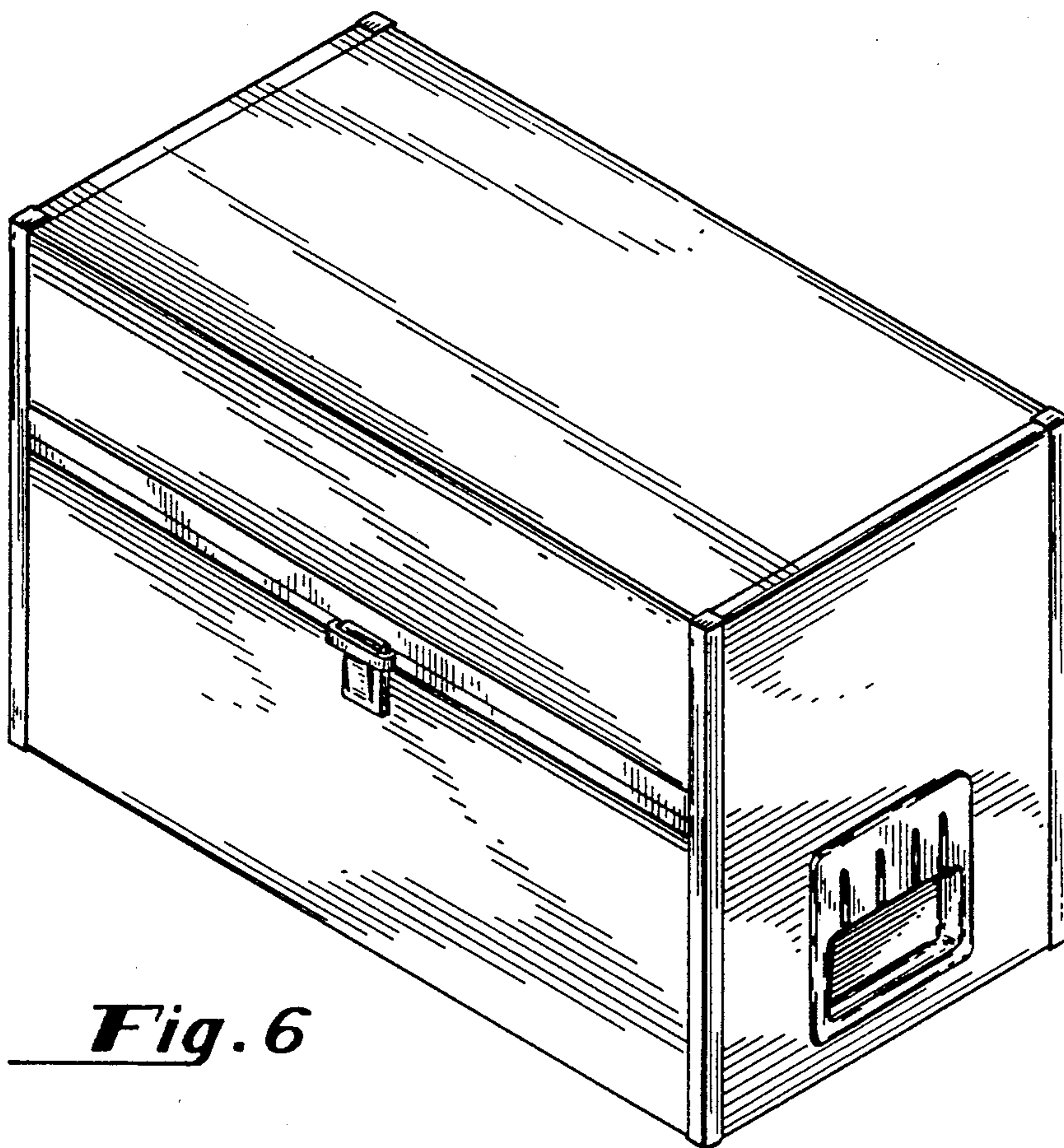
*Fig. 3*



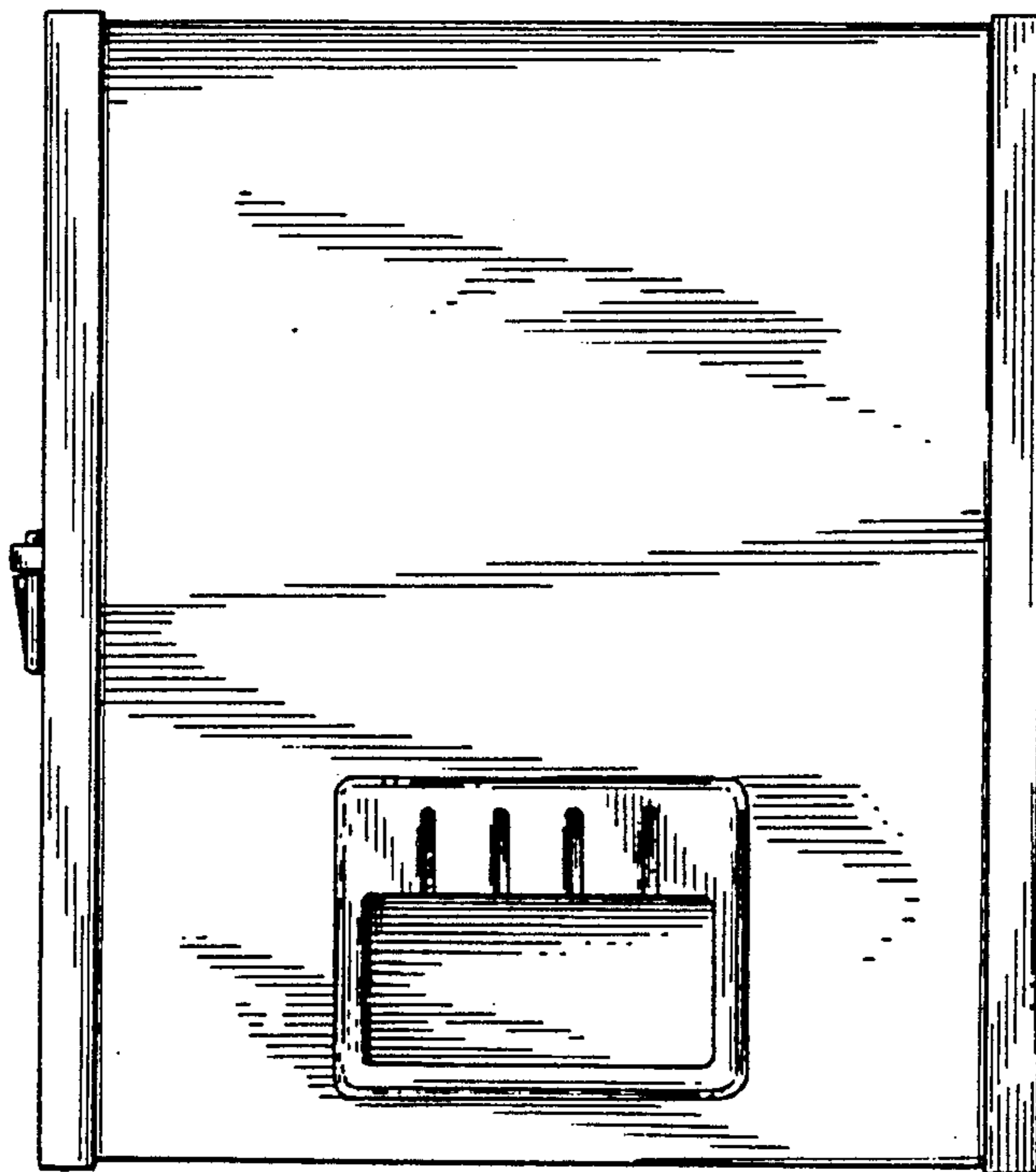
*Fig. 4*



*Fig. 5*



***Fig. 6***



***Fig. 7***