



US00D327901S

United States Patent [19]
Chen

[11] **Patent Number: Des. 327,901**
[45] **Date of Patent: ** Jul. 14, 1992**

[54] **SUPPORT STAND FOR AN ELECTRONIC TOY DRUM**

[76] **Inventor: David Chen, No. 1598, Jong-Shan Rd. Shern Gang, Taichung Hsien, Taiwan**

[**] **Term: 14 Years**

[21] **Appl. No.: 425,886**

[22] **Filed: Oct. 24, 1989**

[52] **U.S. Cl. D17/22; D21/64; 84/421**

[58] **Field of Search D17/22; D6/419, 463, D6/464, 486; D21/64; 84/421, 327, 329, 453; 248/146, 158, 176**

[56] **References Cited**

U.S. PATENT DOCUMENTS

D. 288,099	2/1987	Abitz	D6/419
D. 292,218	10/1987	Corder	D17/22
D. 295,053	4/1988	Diaz	D17/22
3,405,588	10/1968	Della-Porta	84/421

FOREIGN PATENT DOCUMENTS

0201344 7/1923 United Kingdom 248/161

OTHER PUBLICATIONS

Grossman Music Corp. catalog, 1968 p. 88.

Primary Examiner—Bernard Ansher

Assistant Examiner—Adir Aronovich

Attorney, Agent, or Firm—Browdy and Neimark

[57] **CLAIM**

The ornamental design for a support stand for an electronic toy drum, as shown.

DESCRIPTION

FIG. 1 is a top, front perspective view of a support stand for an electronic toy drum showing my new design;

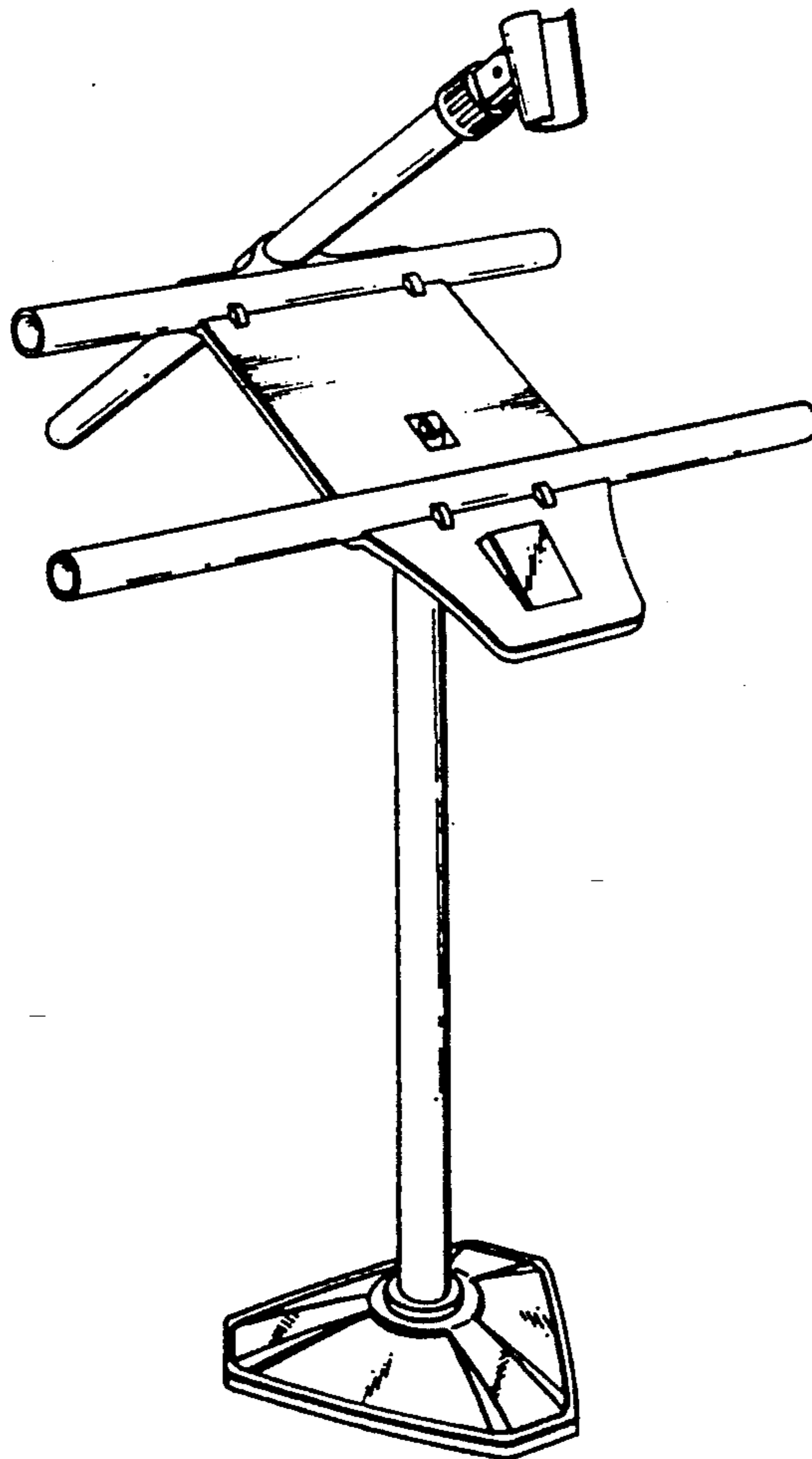
FIG. 2 is a front elevational view thereof;

FIG. 3 is a rear elevational view thereof;

FIG. 4 is a right elevational view thereof;

FIG. 5 is a top plan view thereof; and,

FIG. 6 is a bottom plan view thereof.



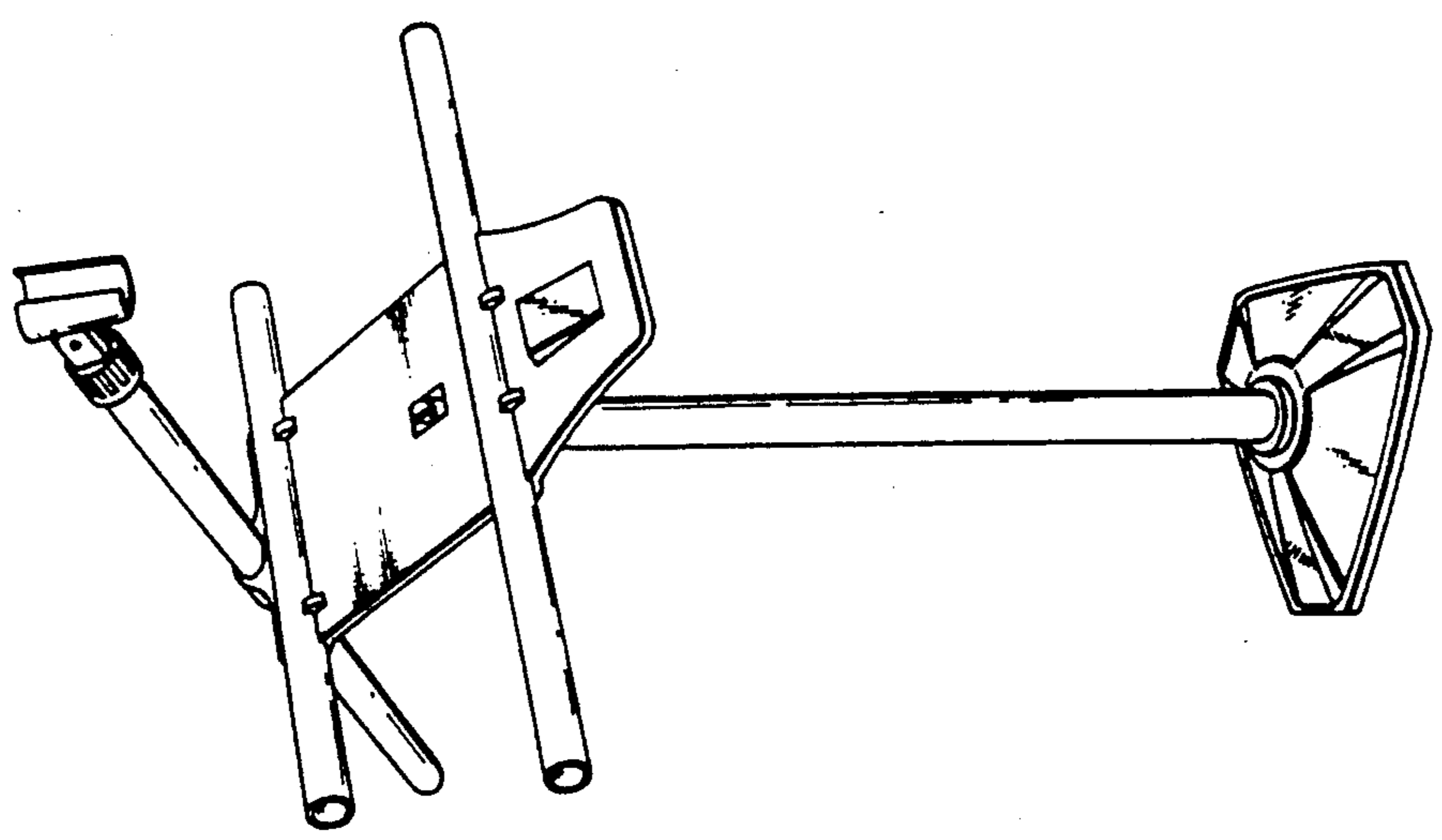


FIG. 1

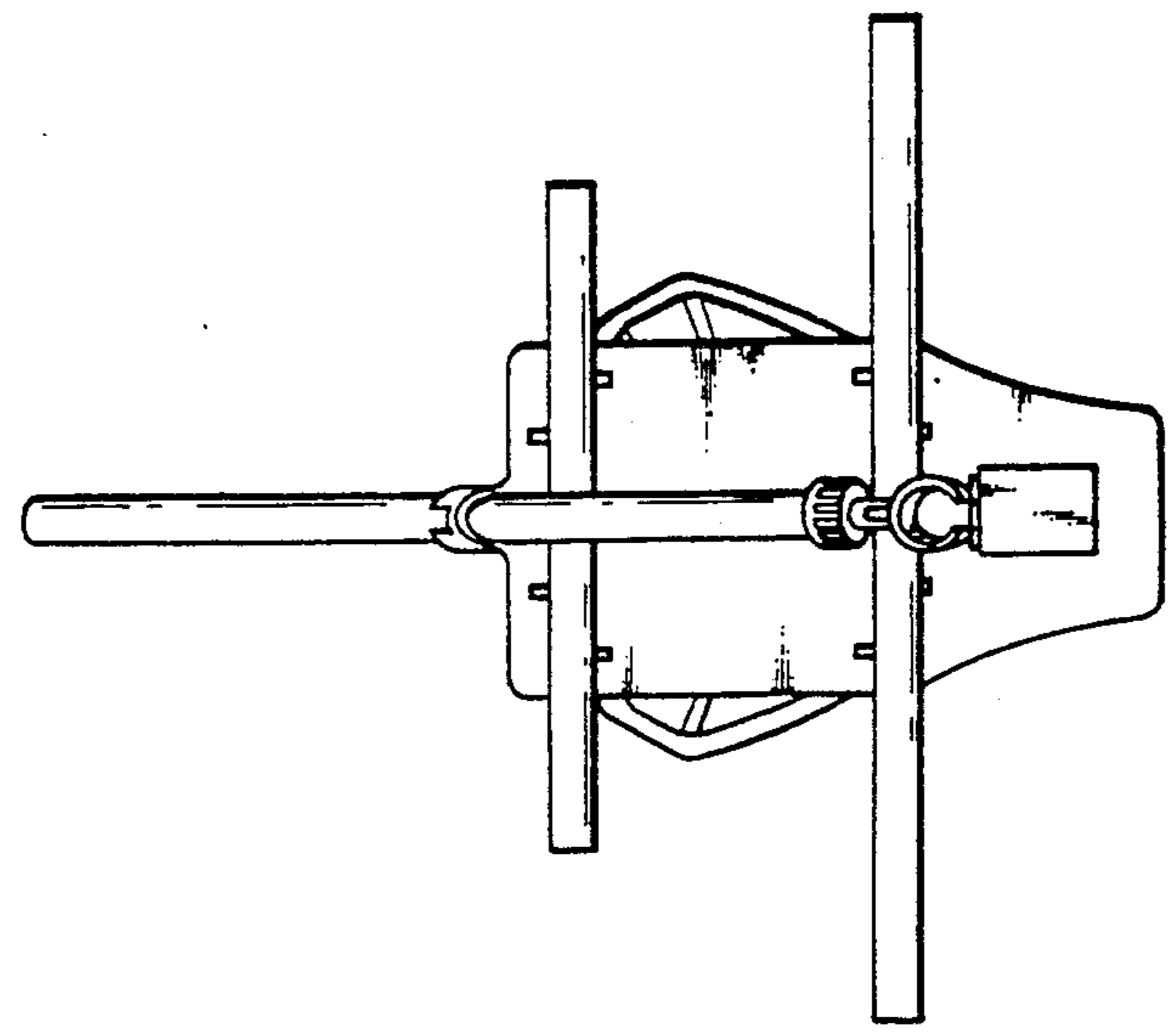


FIG. 5

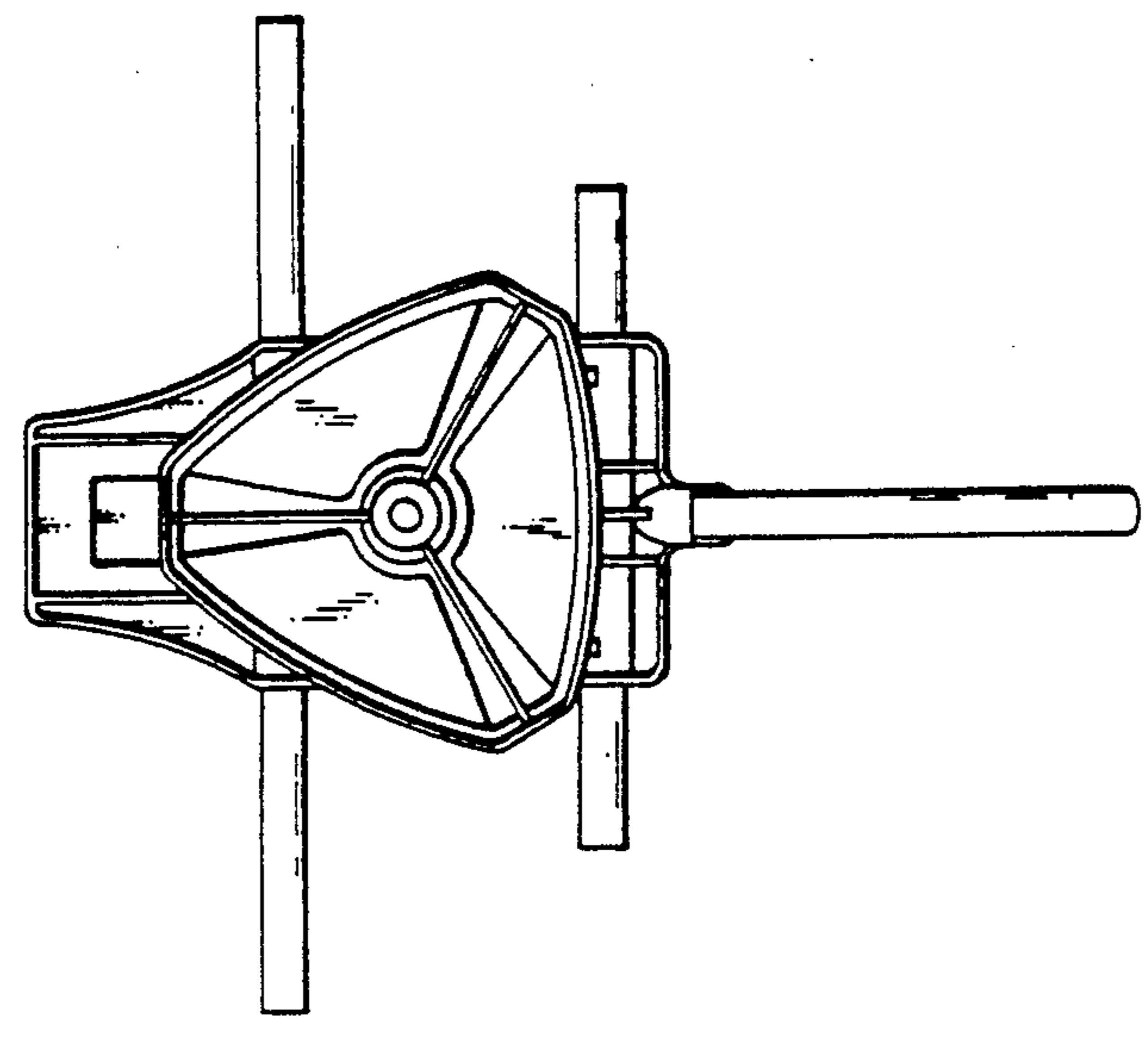


FIG. 6

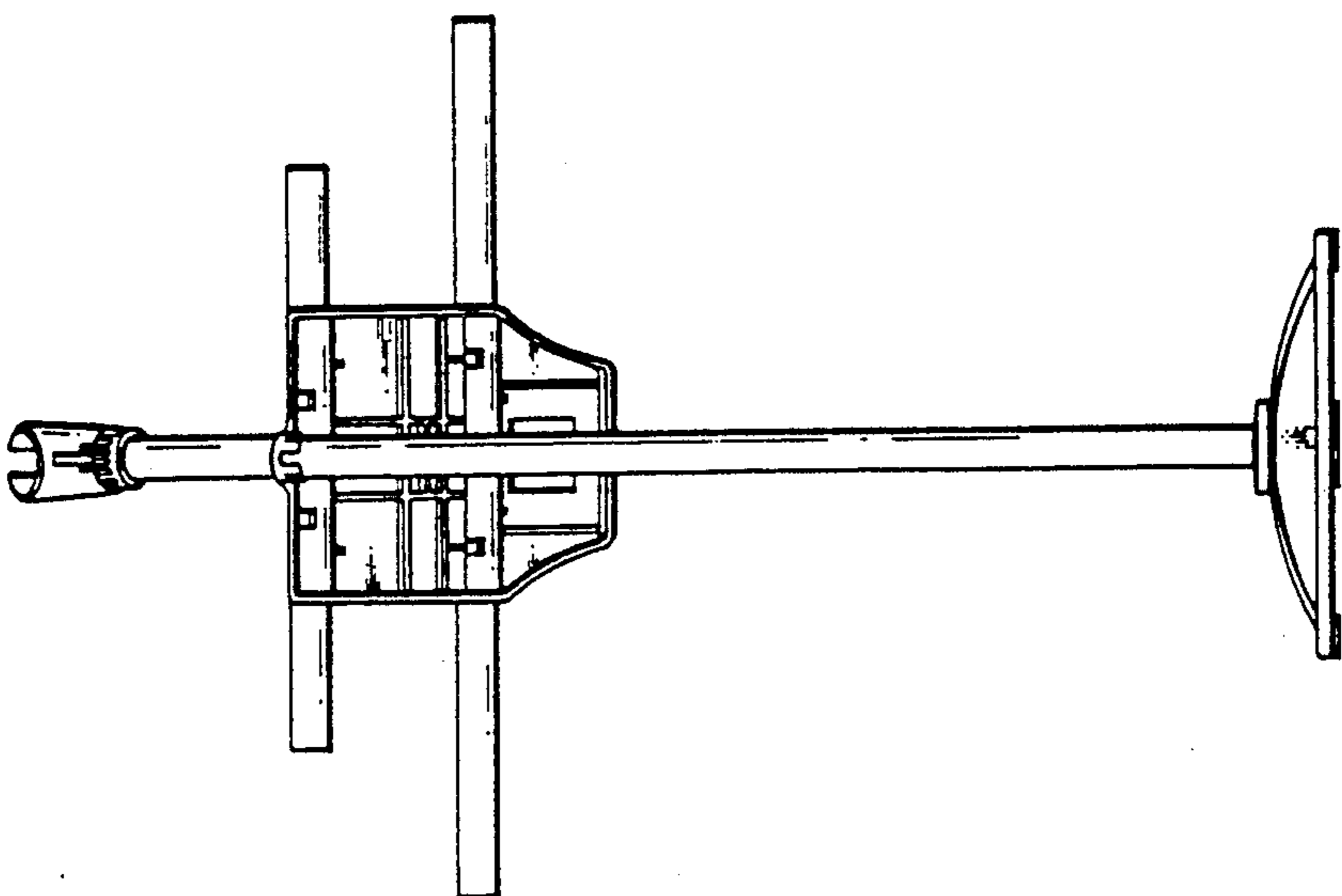


FIG. 3

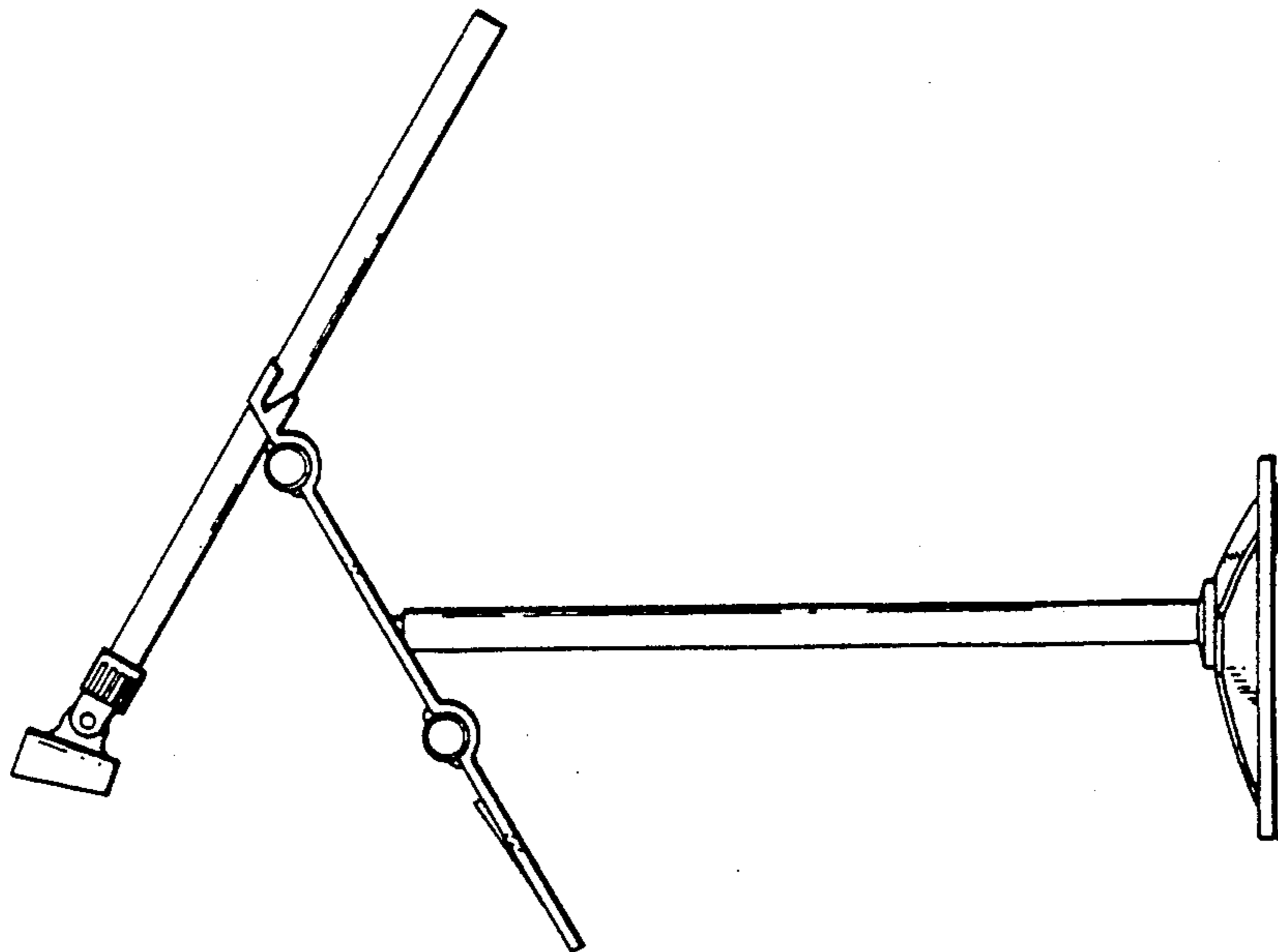


FIG. 4

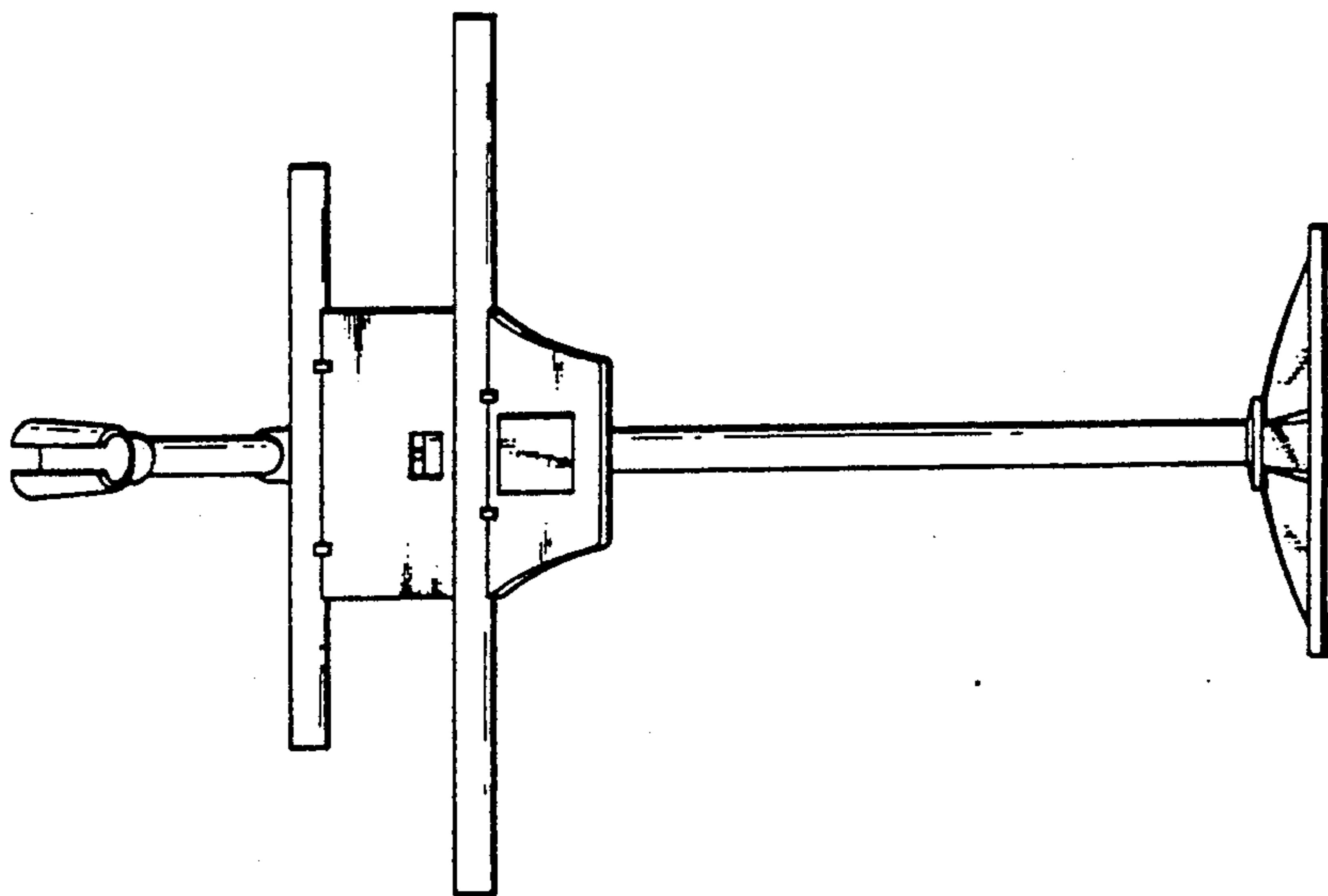


FIG. 2