



US00D327898S

# United States Patent [19]

Goldstein

[11] Patent Number: **Des. 327,898**

[45] Date of Patent: **\*\* Jul. 14, 1992**

- [54] **PHOTOGRAPHIC CAMERA WITH BUILT-IN FLASH**
- [75] Inventor: **Bruce M. Goldstein**, Ridgewood, N.J.
- [73] Assignee: **Eastman Kodak Company**, Rochester, N.Y.
- [\*\*] Term: **14 Years**
- [21] Appl. No.: **538,950**
- [22] Filed: **Jun. 15, 1990**
- [52] U.S. Cl. .... **D16/209; D16/218**
- [58] Field of Search ..... **D16/200, 202, 203, 204, D16/208, 209, 212, 213, 216-218; 354/126, 127.11, 149.11, 202, 288**

- D. 309,620 7/1990 Wingate et al. .... D16/209
- D. 317,615 6/1991 Kikuchi et al. .... D16/202
- 4,866,470 9/1989 Arai et al. .... 354/288

### OTHER PUBLICATIONS

Popular Photography Oct. 1988 (Yashica T3 AF Camera).

*Primary Examiner*—Bernard Ansher  
*Assistant Examiner*—Adir Aronovich  
*Attorney, Agent, or Firm*—Roger A. Fields

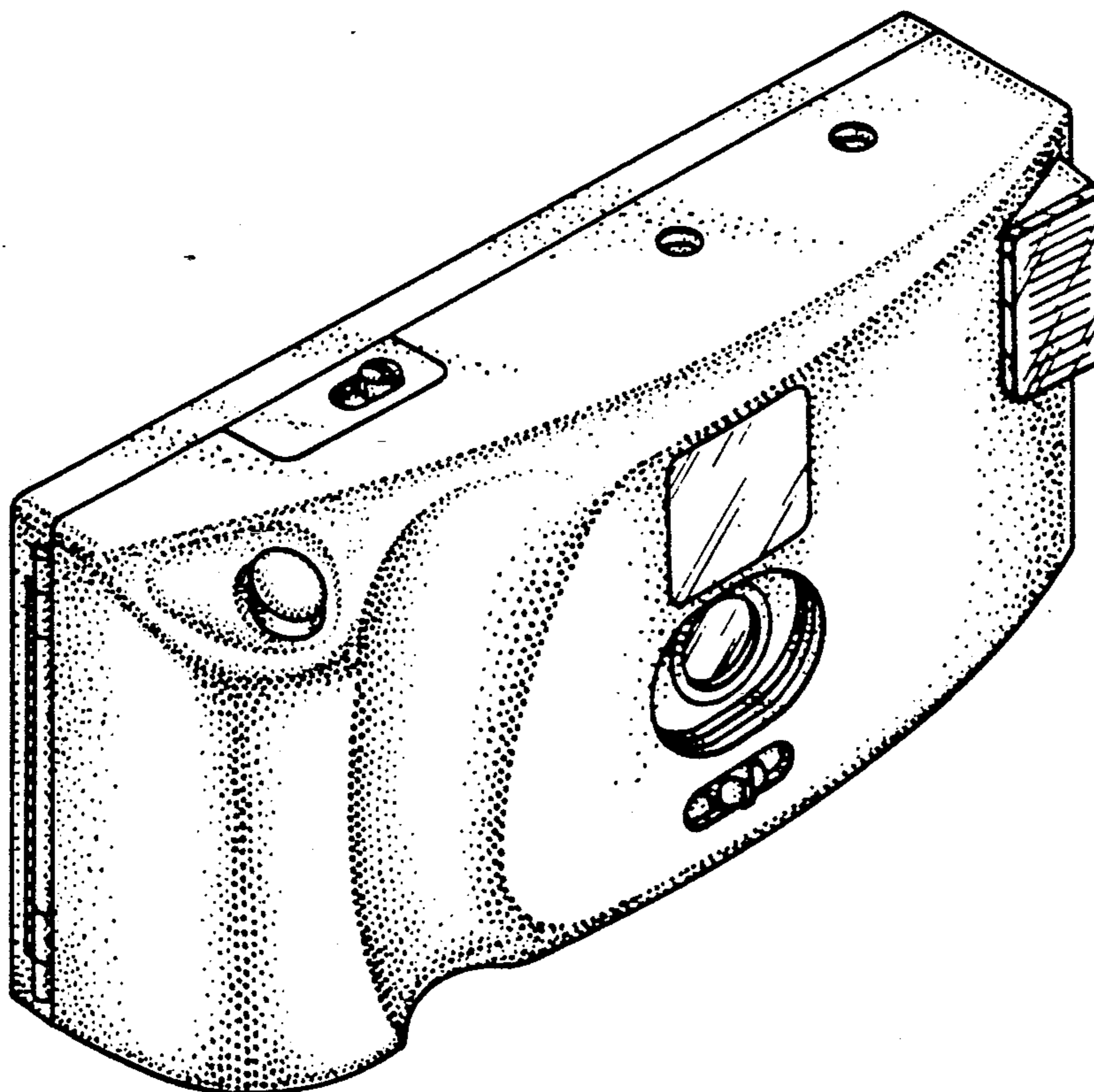
### [57] CLAIM

The ornamental design for a photographic camera with built-in flash, as shown and described.

### DESCRIPTION

FIG. 1 is a top, front, left-side perspective view of a photographic camera with built-in flash, showing by new design; and, FIG. 2 is a bottom, rear, right-side view thereof.

- [56] **References Cited**
- U.S. PATENT DOCUMENTS**
- D. 289,176 4/1987 Yoshida ..... D16/218



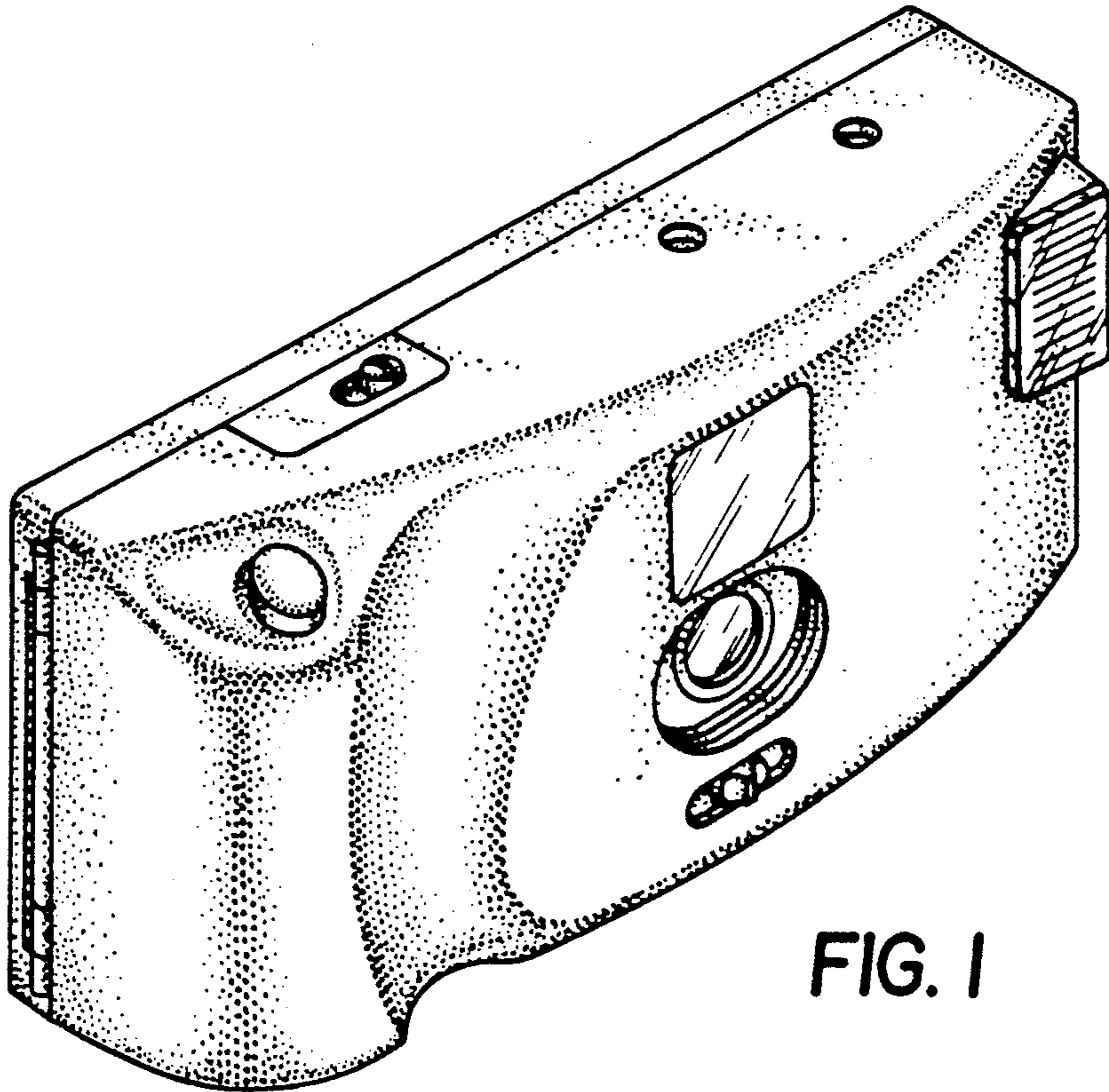


FIG. 1

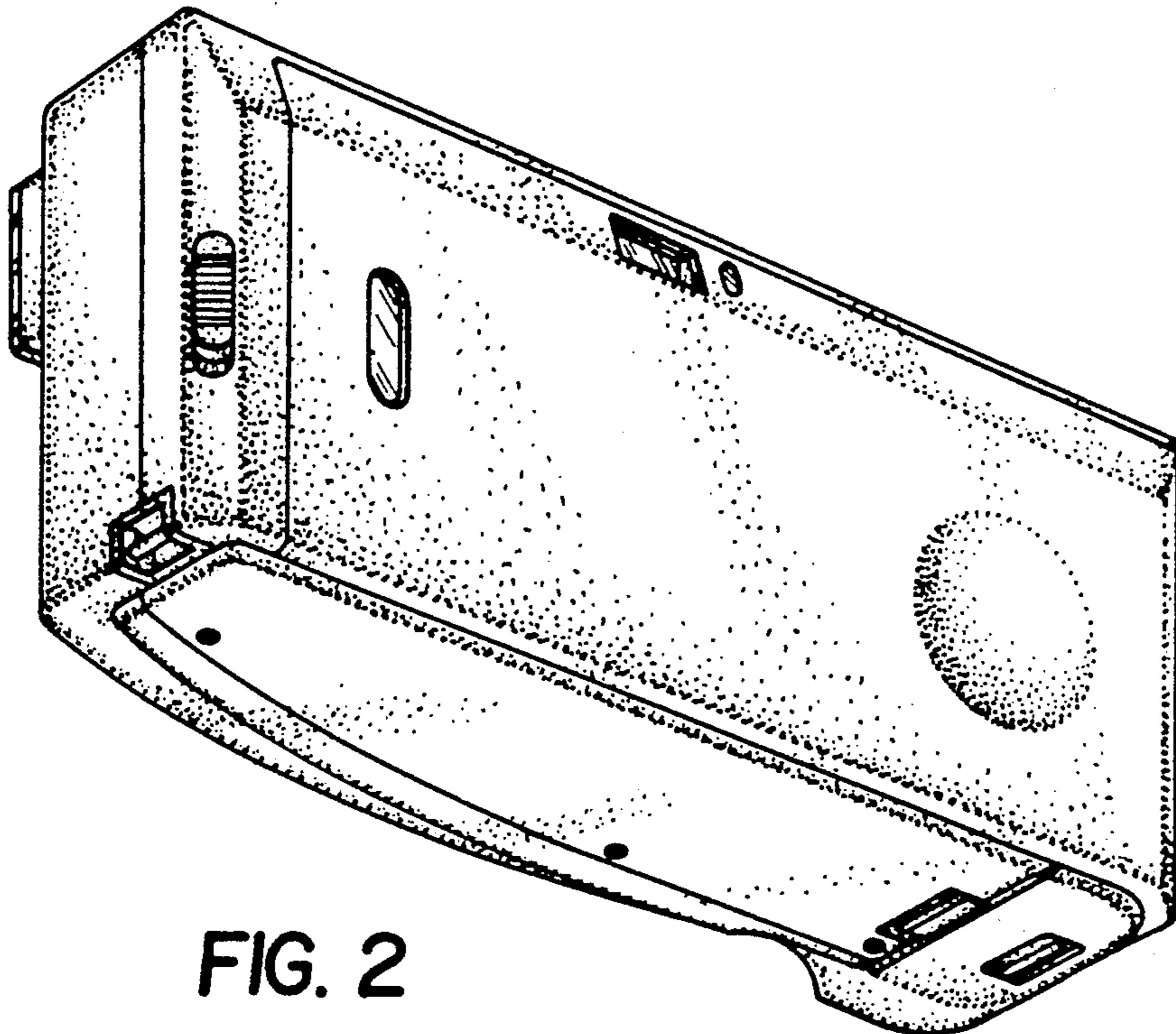


FIG. 2