



US00D327893S

United States Patent [19]

[11] Patent Number: **Des. 327,893**

Borella

[45] Date of Patent: **** Jul. 14, 1992**

[54] **MACHINE FOR MAKING FLORAL DISPLAYS, POUCH TYPE PACKAGING AND THE LIKE**

*Assistant Examiner—Jeffrey Asch
Attorney, Agent, or Firm—Lerner, David, Littenberg, Krumholz & Mentlik*

[76] Inventor: **Robert J. Borella, 17 Grunauer St., Saddlebrook, N.J. 07622**

[57] **CLAIM**

[**] Term: **14 Years**

The ornamental design for a machine for making floral displays, pouch type packaging and the like, as shown.

[21] Appl. No.: **251,207**

DESCRIPTION

[22] Filed: **Sep. 30, 1988**

FIG. 1 is a top, front and right side perspective view of a machine for making floral displays, pouch type packaging and the like showing my new design;

[52] U.S. Cl. **D15/145**

FIG. 2 is a front elevational view;

[58] Field of Search **D15/199, 145; 53/172, 53/390**

FIG. 3 is a rear elevational view;

FIG. 4 is a right side elevational view;

[56] **References Cited**

U.S. PATENT DOCUMENTS

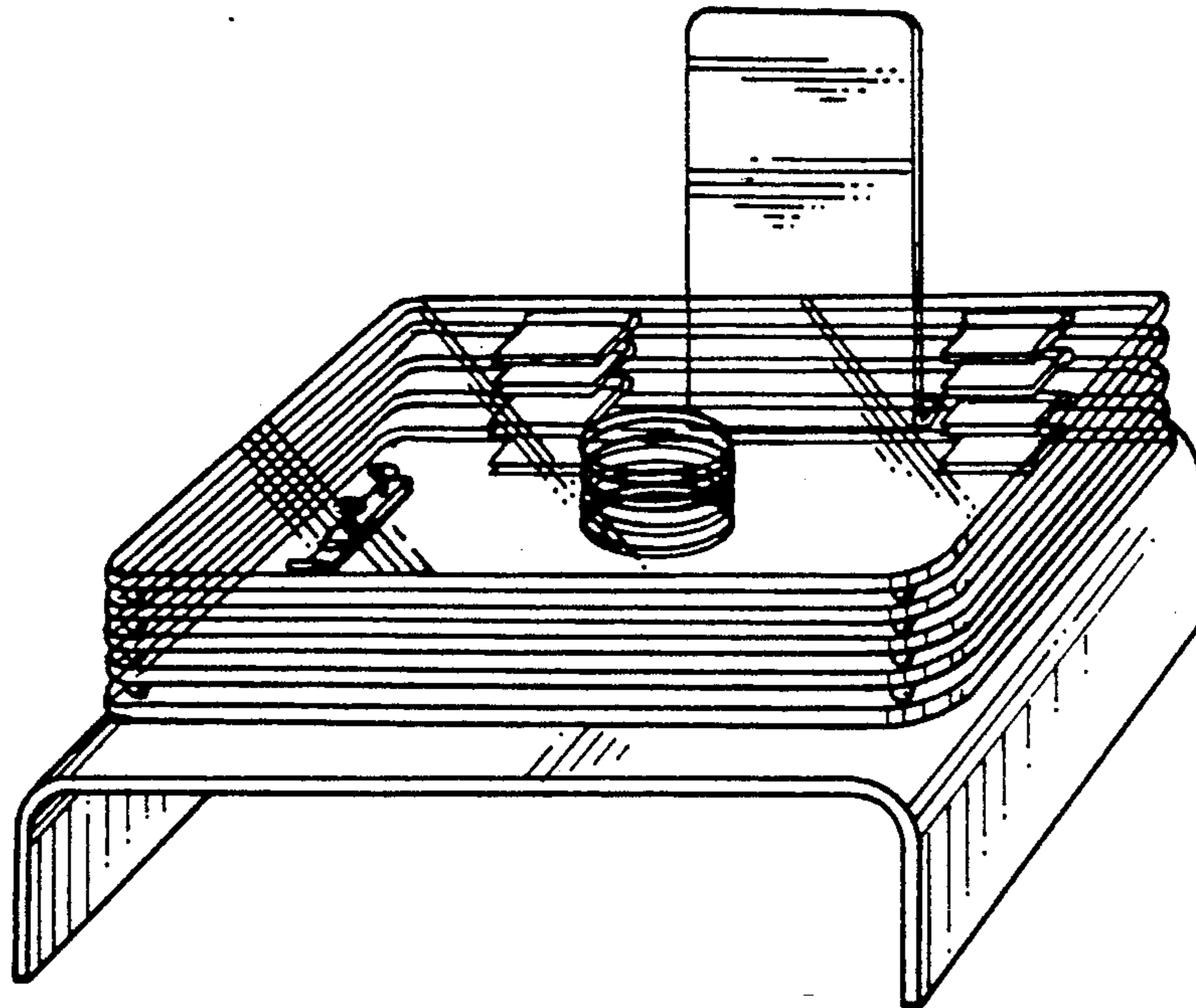
D. 306,451 3/1990 Proia **D15/145**

FIG. 5 is a top plan view;

FIG. 6 is a bottom plan view; and,

FIG. 7 is a top, front and right side perspective view showing my new design with the clear moveable plates in the open position.

Primary Examiner—Donald P. Walsh



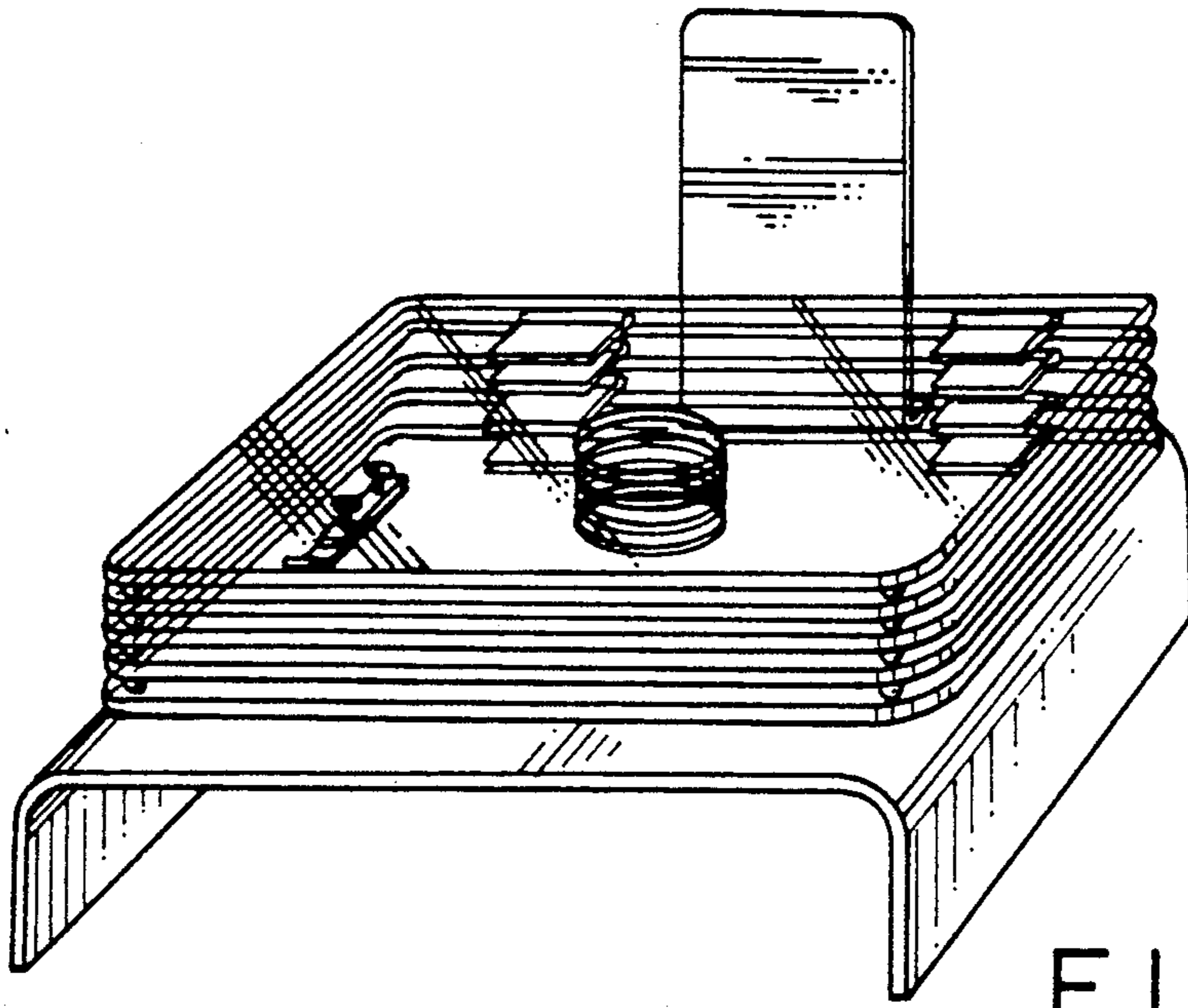


FIG. 1

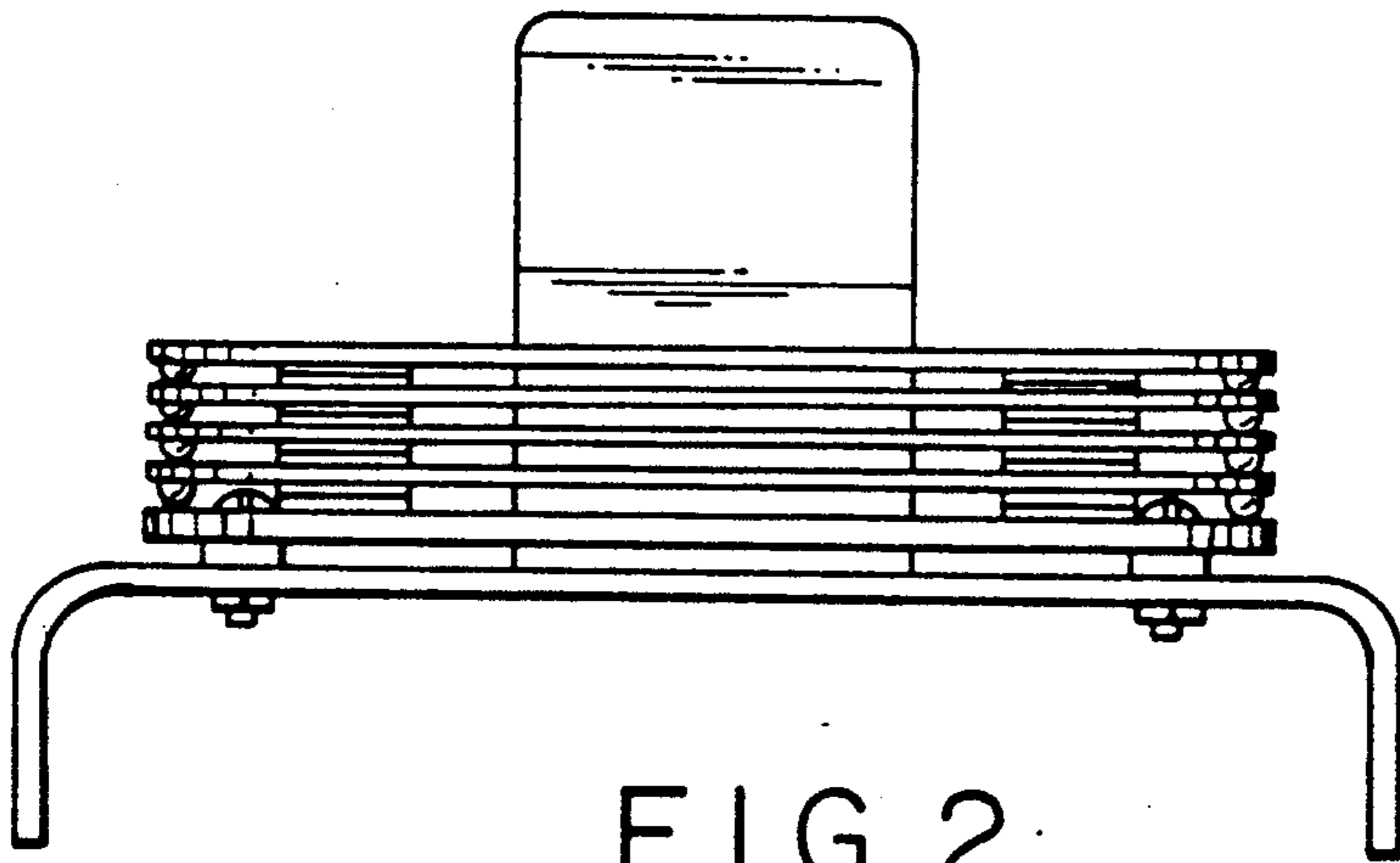


FIG. 2

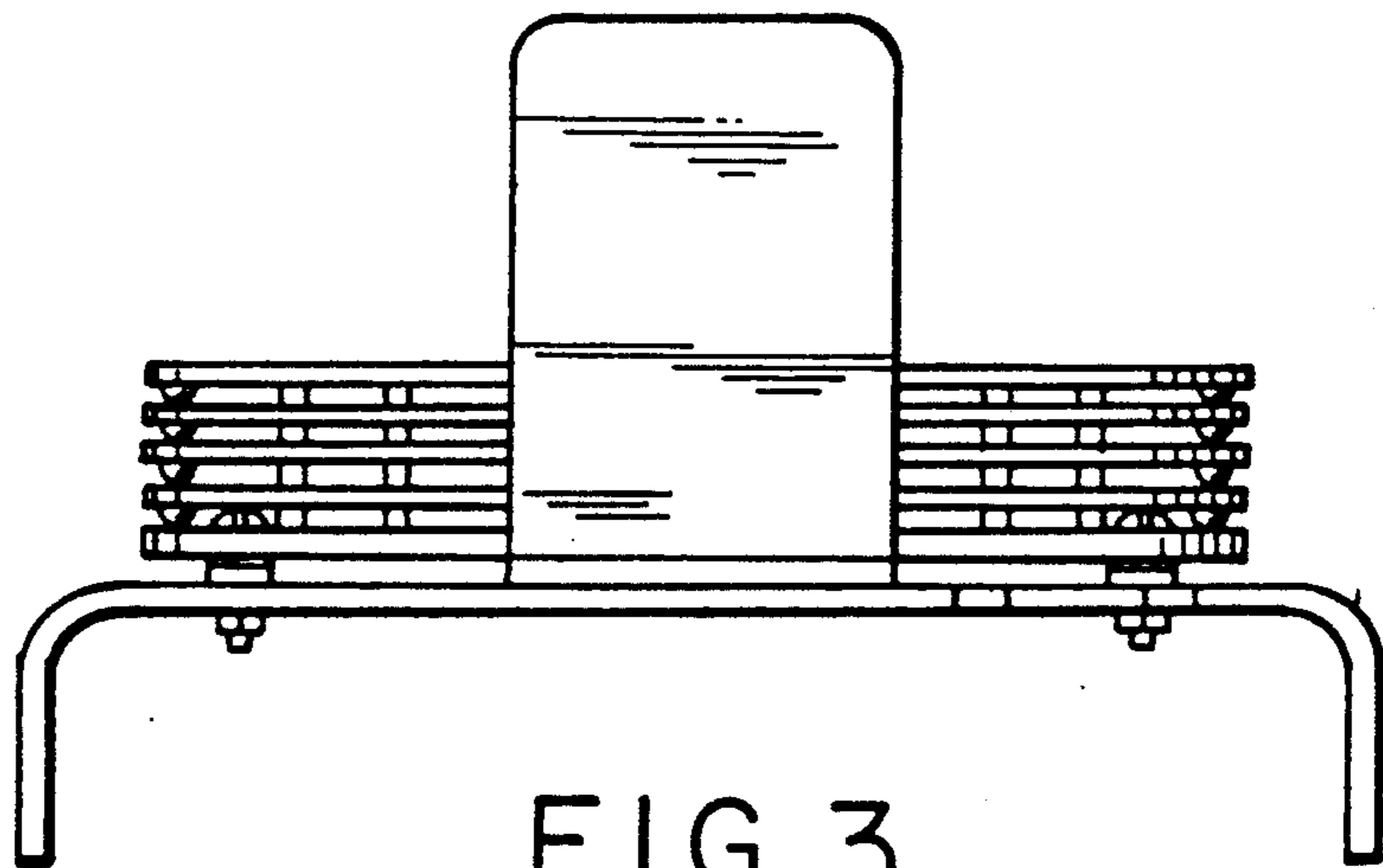


FIG. 3

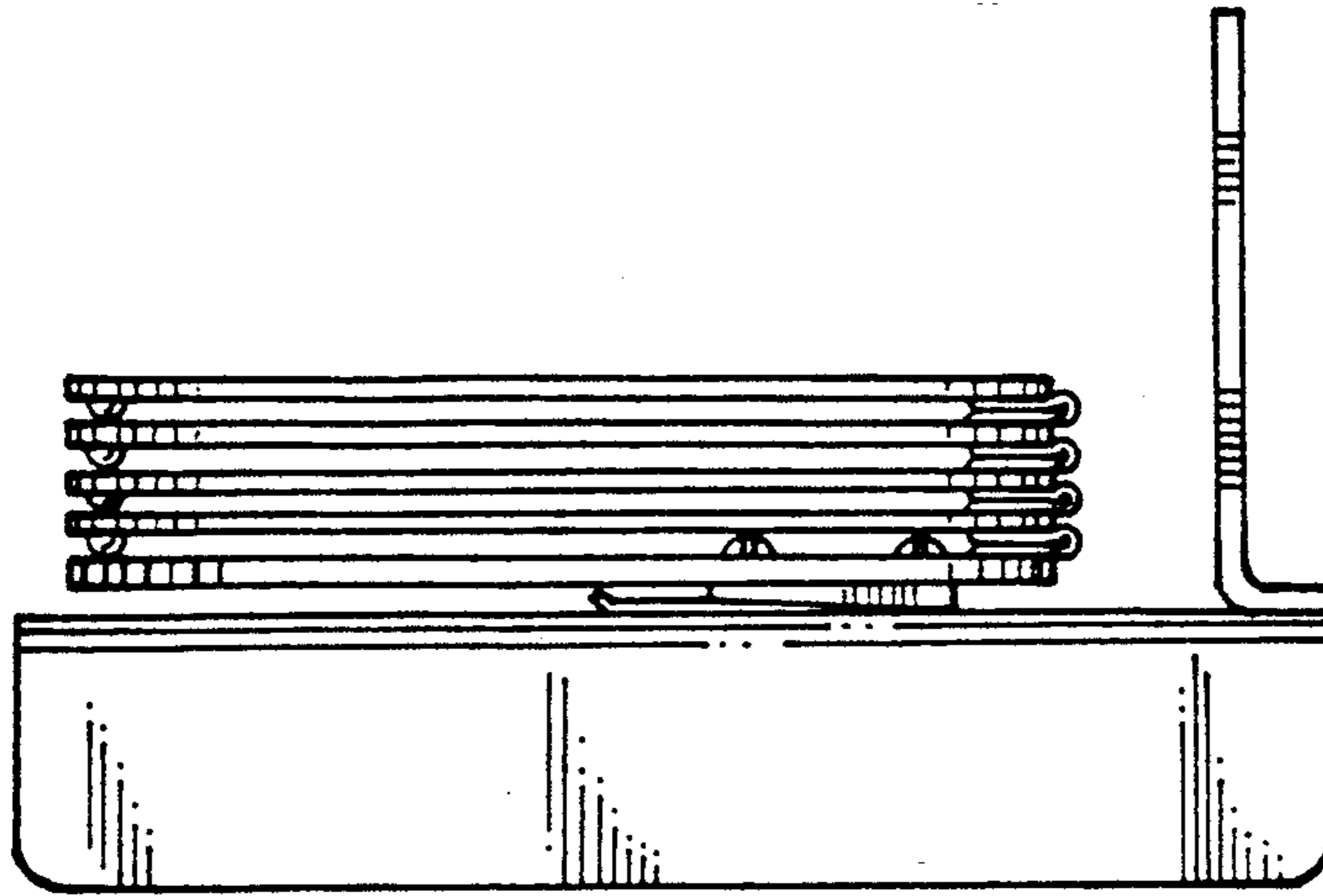


FIG. 4

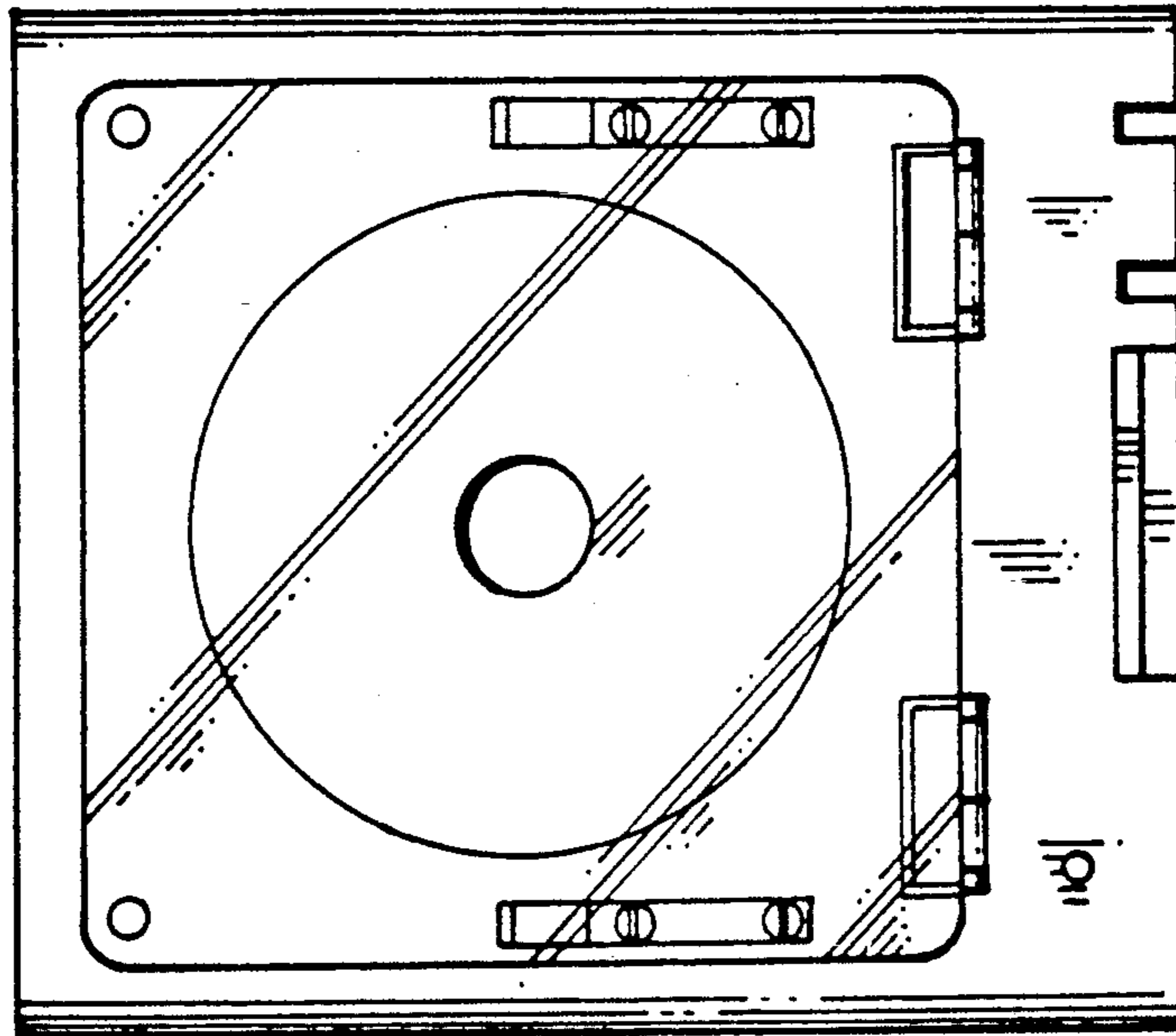


FIG. 5

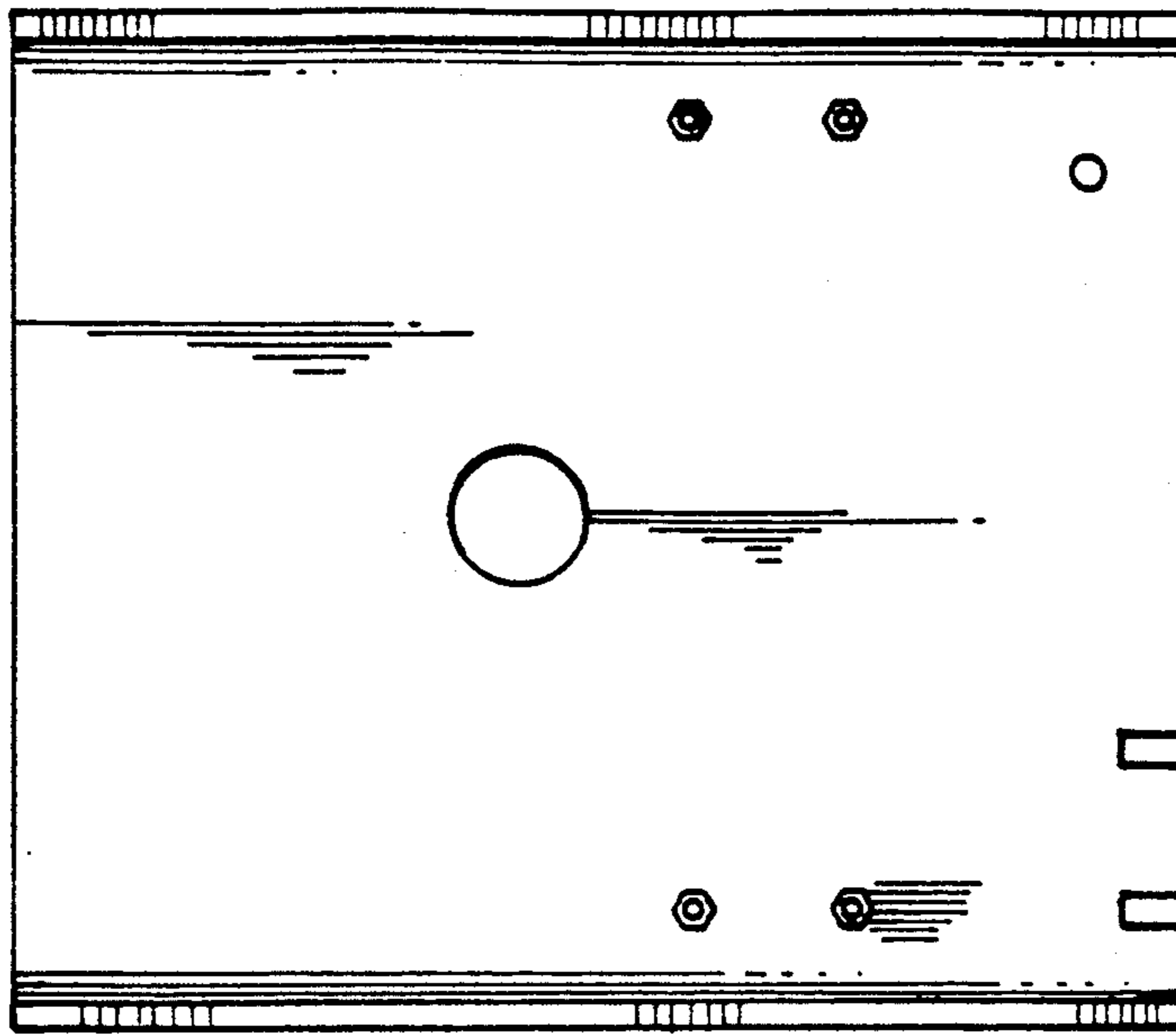


FIG. 6

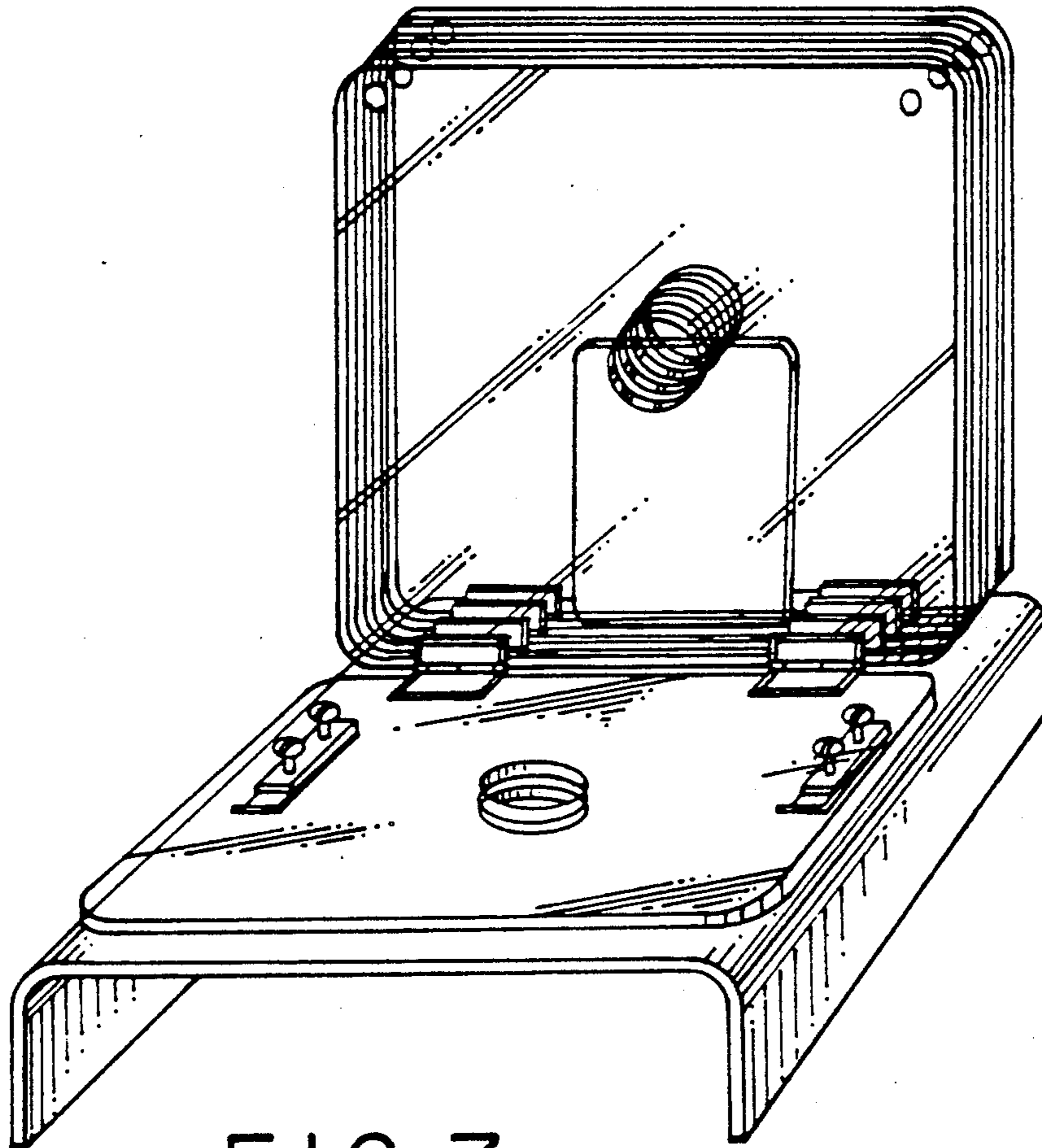


FIG. 7