



US00D327886S

United States Patent [19] Yan

[11] Patent Number: **Des. 327,886**

[45] Date of Patent: **** Jul. 14, 1992**

[54] **TELEPHONE UNIT**

[76] Inventor: **Mao-Ye Yan, 6th Floor, Yiko Industrial Building, 10 Ka Yip Street, Chaiwan, Hong Kong**

[**] Term: **14 Years**

[21] Appl. No.: **684,369**

[22] Filed: **Apr. 12, 1991**

[52] U.S. Cl. **D14/138; D14/137; D14/155**

[58] Field of Search **D14/137, 240, 138, 218, D14/155; 379/428, 434, 440; 455/73, 89, 90**

[56] **References Cited**

U.S. PATENT DOCUMENTS

D. 281,974	12/1985	Huzuki	D14/138
D. 291,804	9/1987	George	D14/138
D. 293,239	12/1987	Larson	D14/135
D. 295,404	4/1988	Tokiyama	D14/137
D. 300,220	3/1989	Schreminer	D14/218
D. 301,340	5/1989	Pitkonen	D14/138

D. 306,026	2/1990	Boykiw	D14/240
D. 306,445	3/1990	Beaumont	D14/137
D. 306,857	3/1990	Beaumont	D14/137
D. 311,541	10/1990	Canne	D14/240
D. 313,411	1/1991	Weiser et al.	D14/138

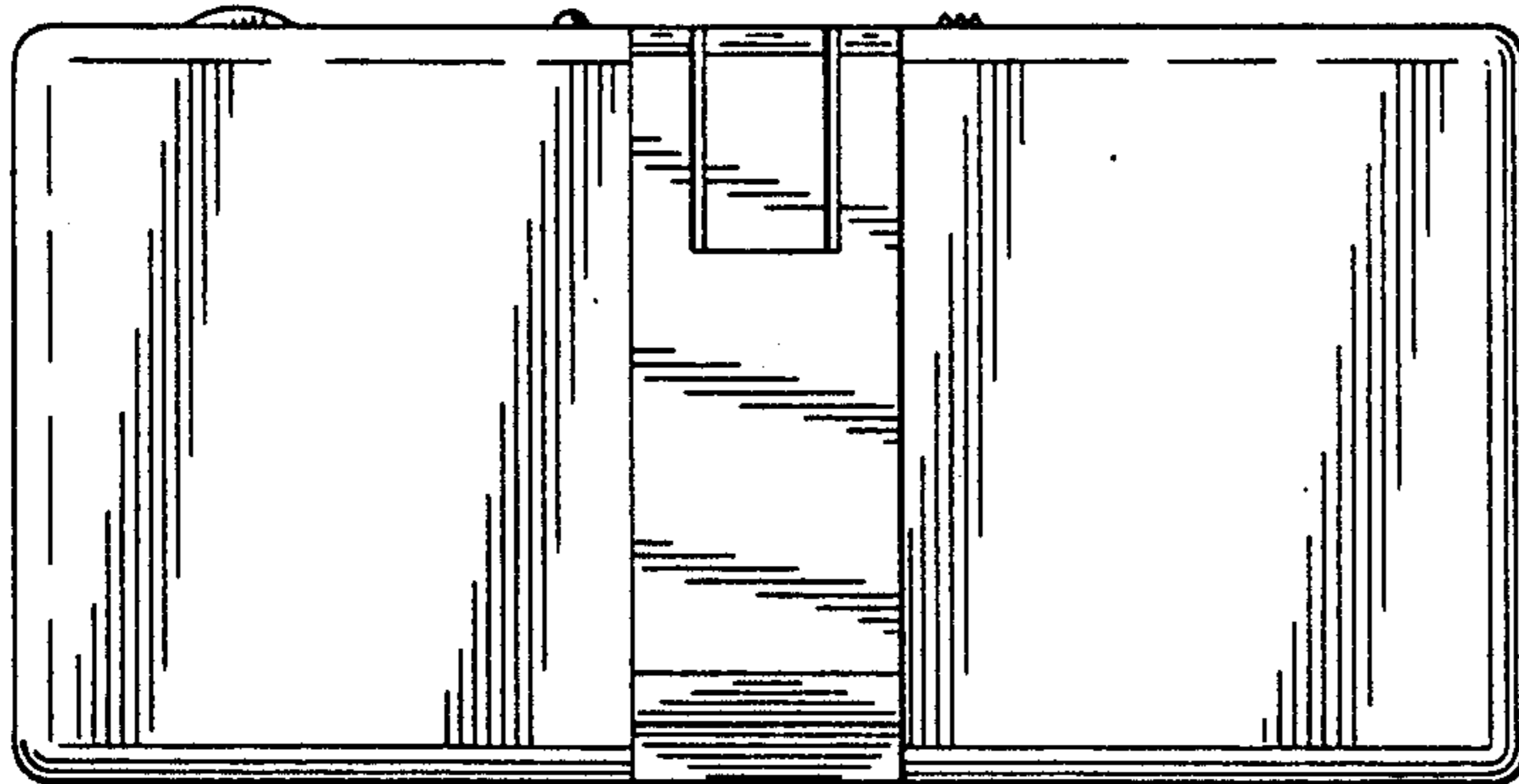
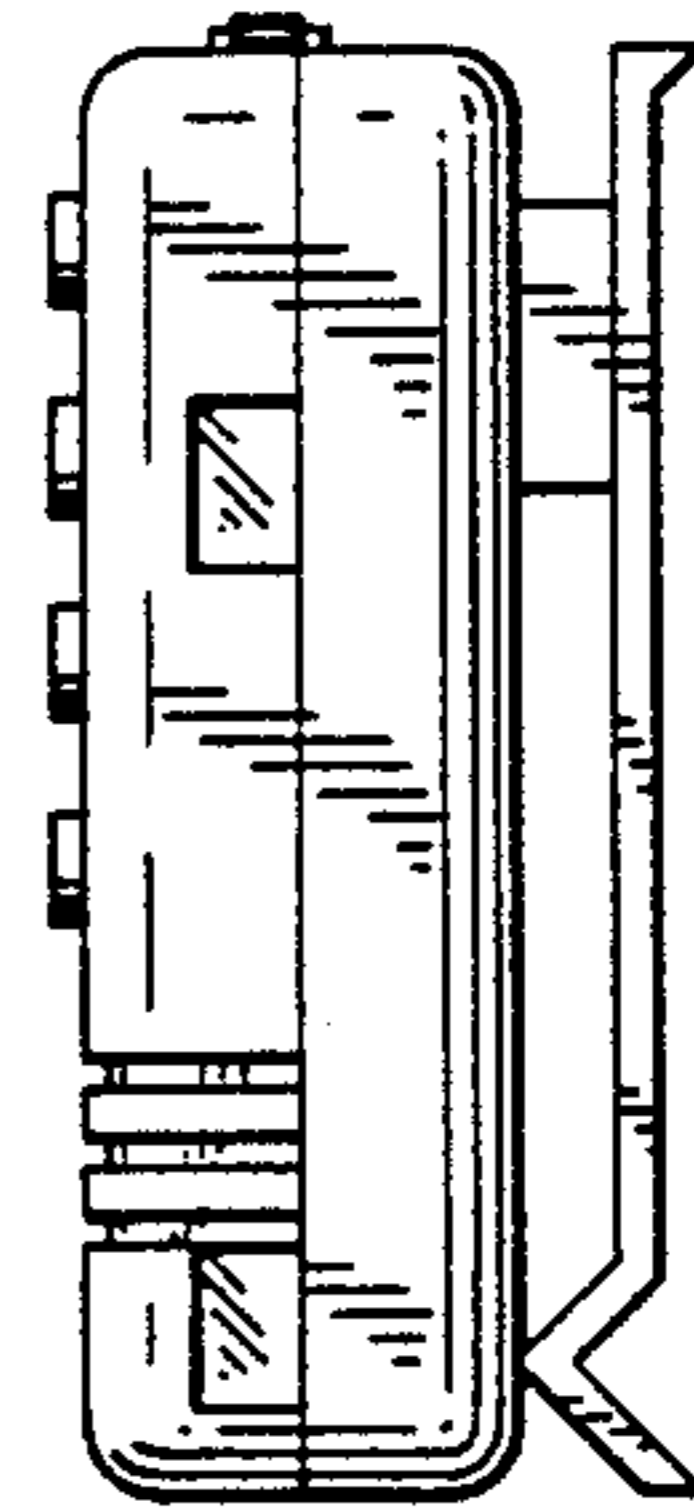
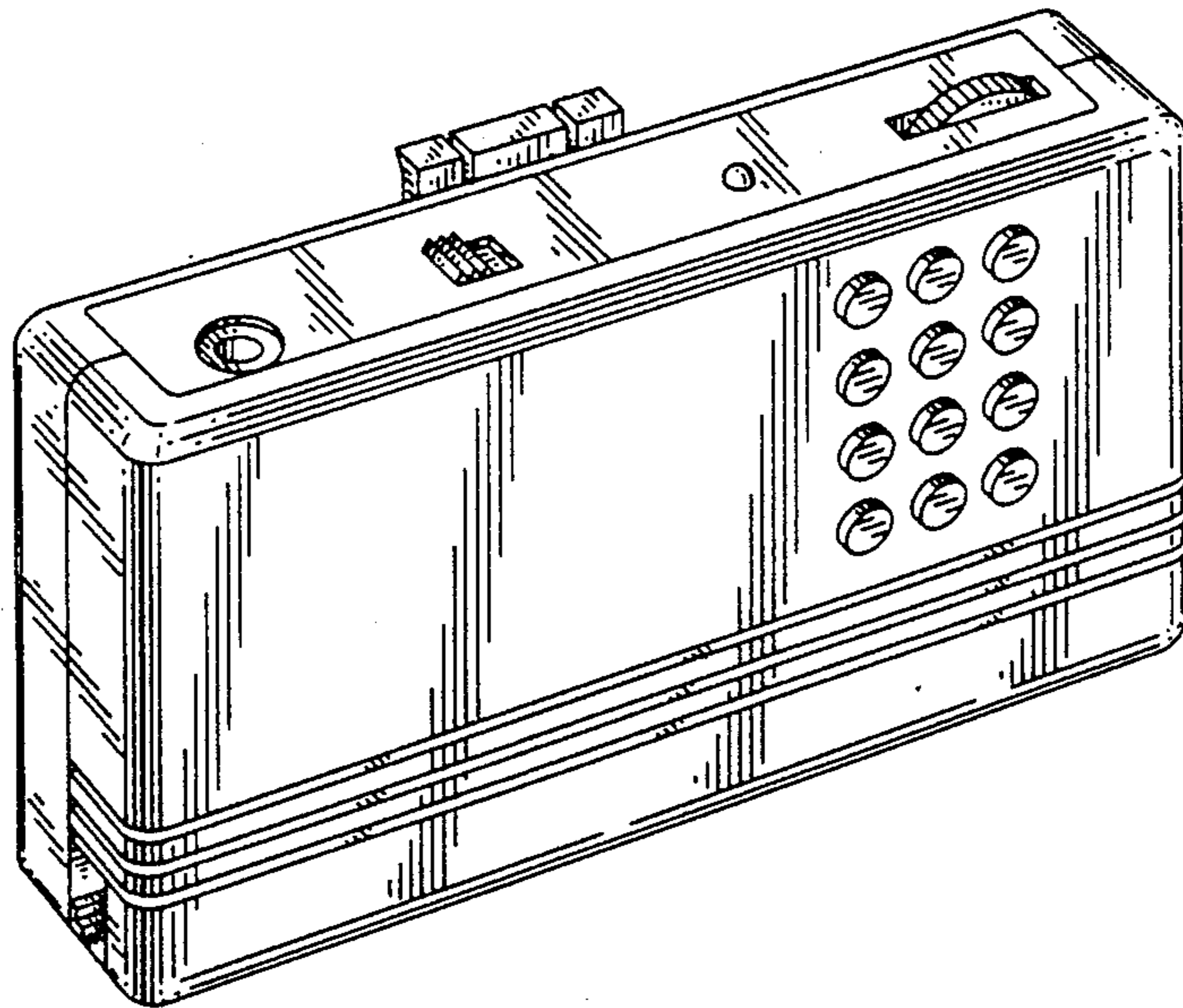
Primary Examiner—Horace B. Fay, Jr.
Attorney, Agent, or Firm—Burns, Doane, Swecker & Mathis

[57] **CLAIM**

The ornamental design for a telephone unit, as shown and described.

DESCRIPTION

FIG. 1 is a front perspective view of a telephone unit showing my new design;
FIG. 2 is the front elevational view thereof;
FIG. 3 is the rear elevational view thereof;
FIG. 4 is the left side view thereof;
FIG. 5 is the right side view thereof;
FIG. 6 is the top plan view thereof; and,
FIG. 7 is the bottom view thereof.



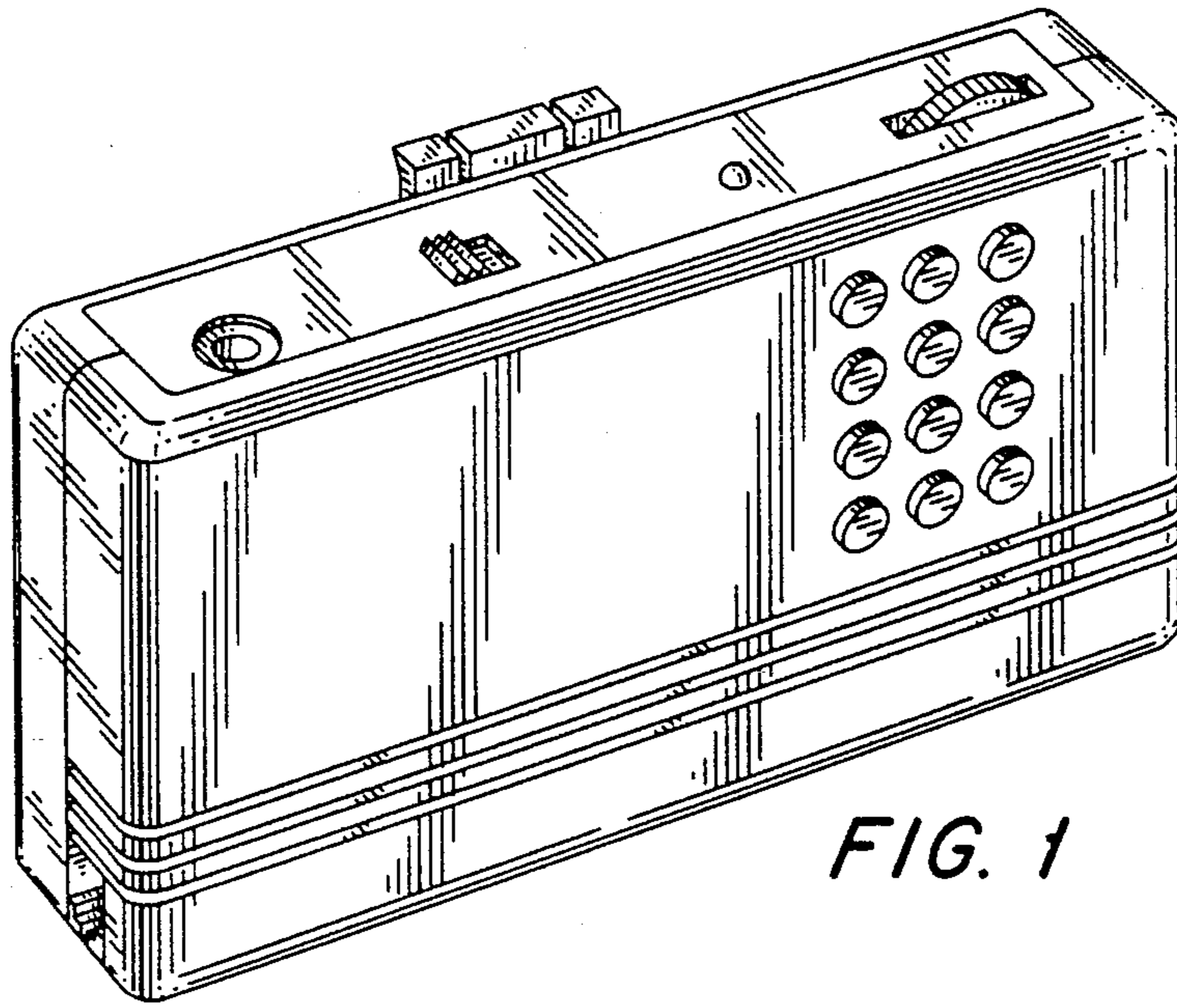


FIG. 1

FIG. 2

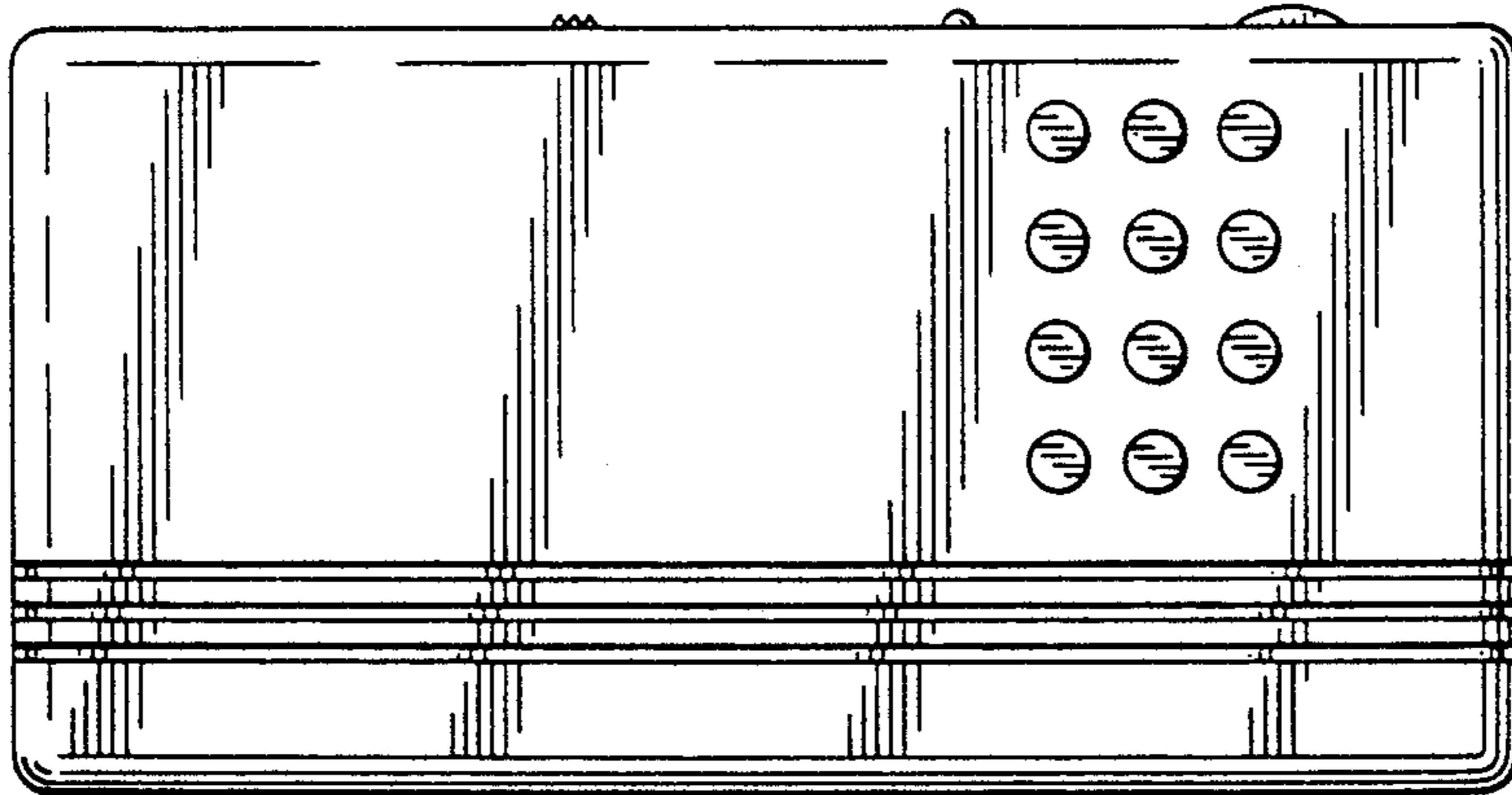


FIG. 3

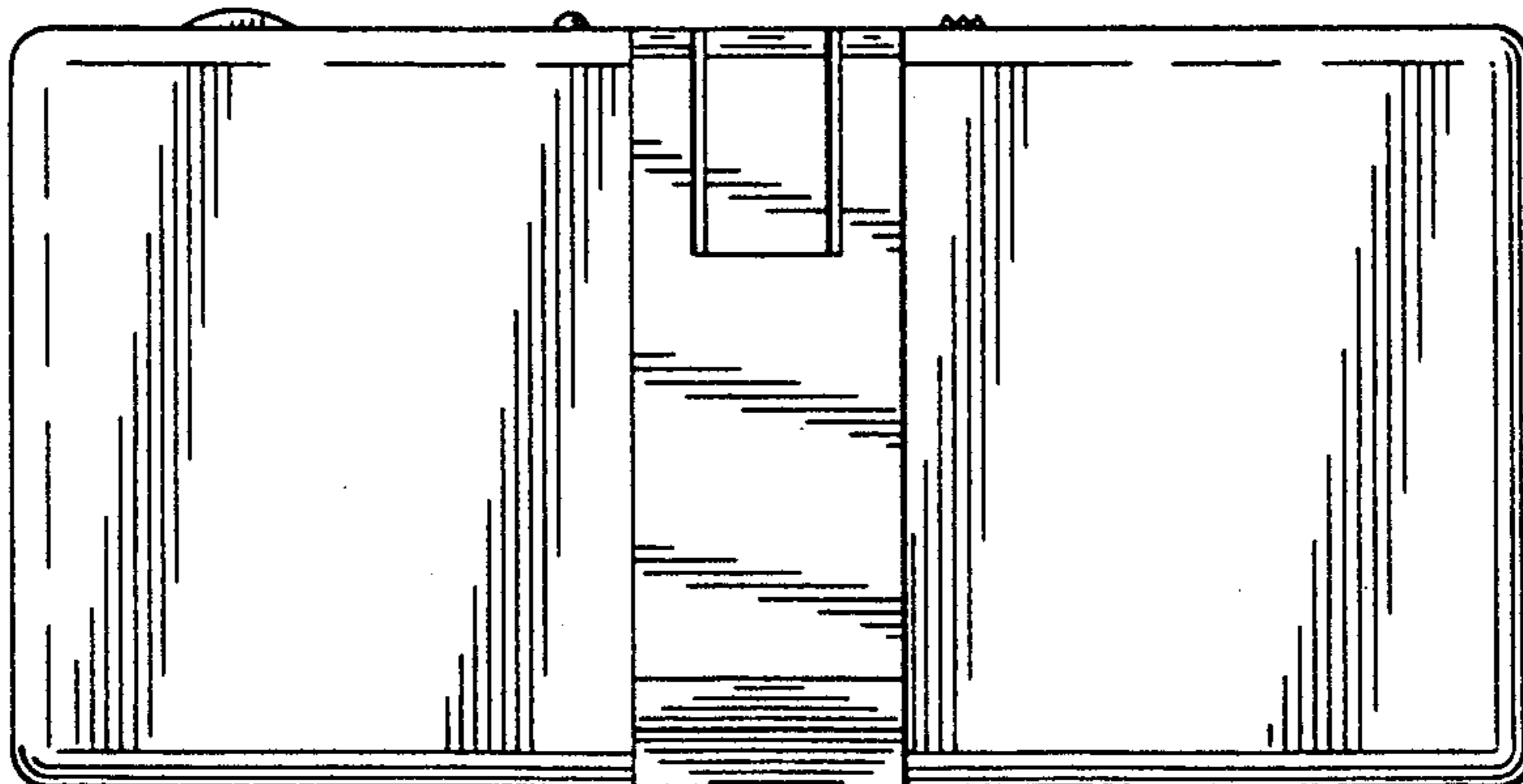


FIG. 4

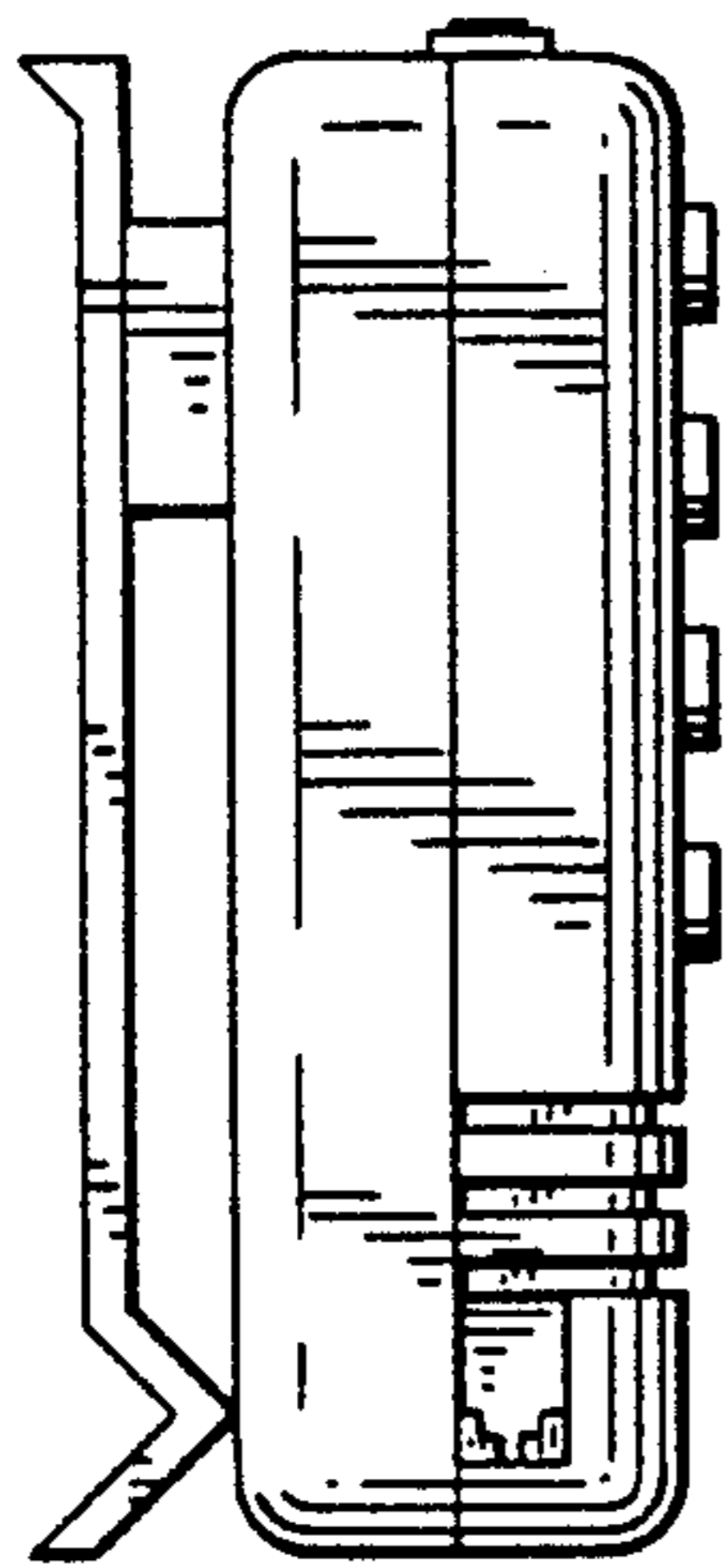


FIG. 5

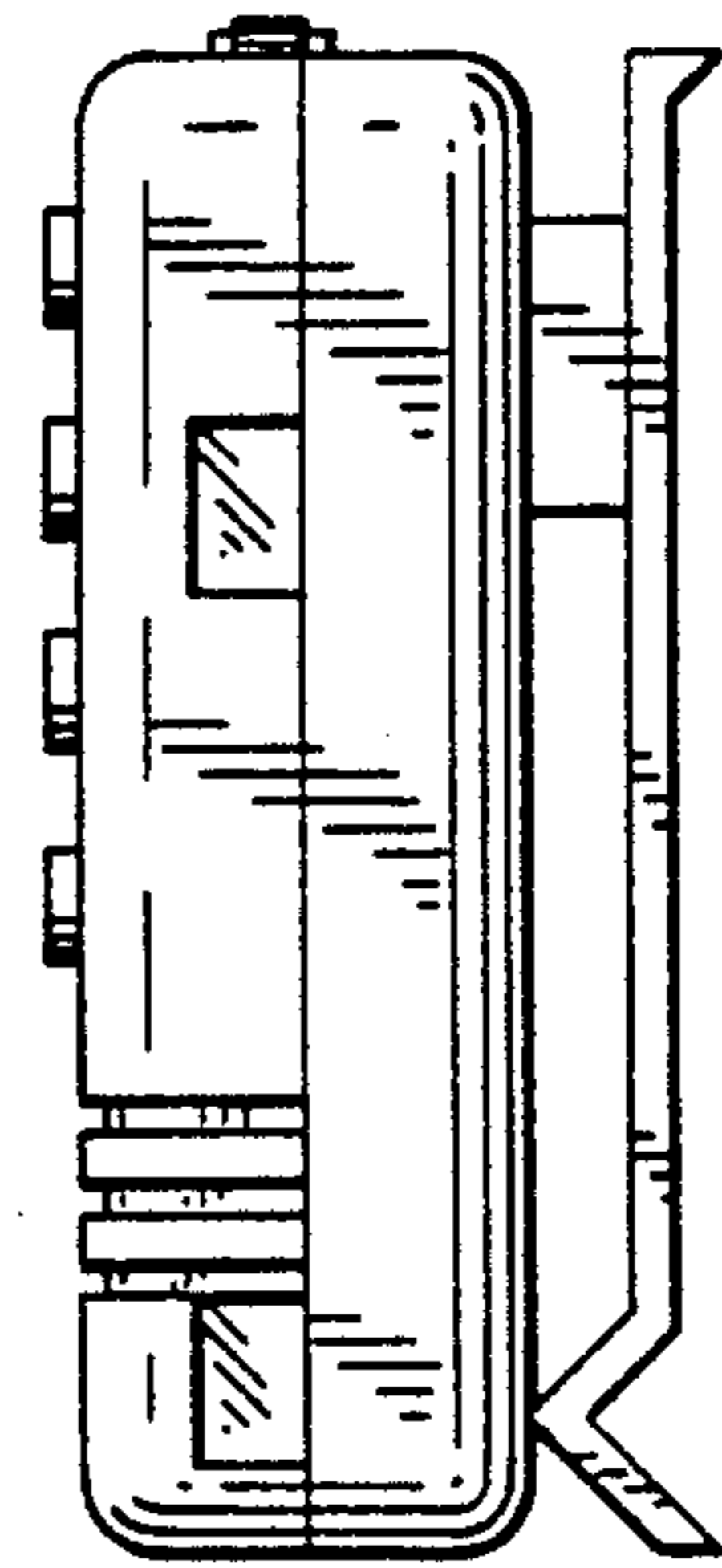


FIG. 6

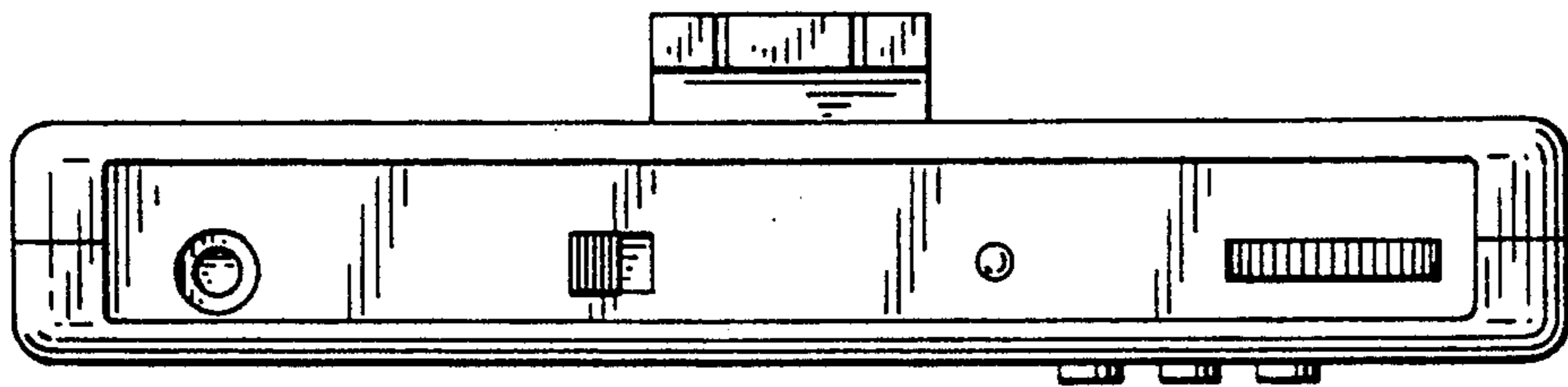


FIG. 7

