



US00D327875S

United States Patent [19]

[11] Patent Number: Des. 327,875

Brownlie et al.

[45] Date of Patent: ** Jul. 14, 1992

[54] ACCESS FLOORING MODULE FOR POWER AND SIGNAL CABLES

[75] Inventors: Alan W. Brownlie, Skaneateles, N.Y.; Jack W. Lawhead, Harrisburg, Pa.

[73] Assignee: AMP Incorporated, Harrisburg, Pa.

[**] Term: 14 Years

[21] Appl. No.: 404,976

[22] Filed: Sep. 8, 1989

[52] U.S. Cl. D13/156

[58] Field of Search D8/350, 353; D13/177, D13/154, 156; 174/48, 53; 312/21; 439/131, 501

[56] **References Cited**

U.S. PATENT DOCUMENTS

D. 233,729	11/1974	DeForrest	D8/353
3,151,512	5/1964	MacLeod, Jr.	50/127
3,992,070	11/1976	Dunn et al.	312/320
4,059,321	11/1977	Rasmussen et al.	439/131
4,372,629	2/1983	Propst et al.	312/223
4,864,078	9/1989	Bowman	174/48
5,008,491	4/1991	Bowman	174/48
5,023,396	6/1991	Bartee et al.	174/48

OTHER PUBLICATIONS

Toli Flex Tile; Walker Flex Series—Access Floor Service Module (AFS 487); ©1987 Mult-A-Cell II—Ac-

cess Floor Delivery Module for Data, Communication, Power; undated.

Lithonia Reloc Wiring Systems "Lithonia Reloc Floor Module", ©1988.

Tate Access Floors "Multi-Task Service Outlet"; undated.

Raceway Components, Inc. "Floor Mate Access Floor Electrification Unit"; undated.

Donn ServiCenter Outlets "General Office and Computer Room Applications" ©1988.

Primary Examiner—B. J. Bullock

Attorney, Agent, or Firm—Bruce J. Wolstoncroft

[57] **CLAIM**

The ornamental design for an access flooring module for power and signal cables, as shown and described.

DESCRIPTION

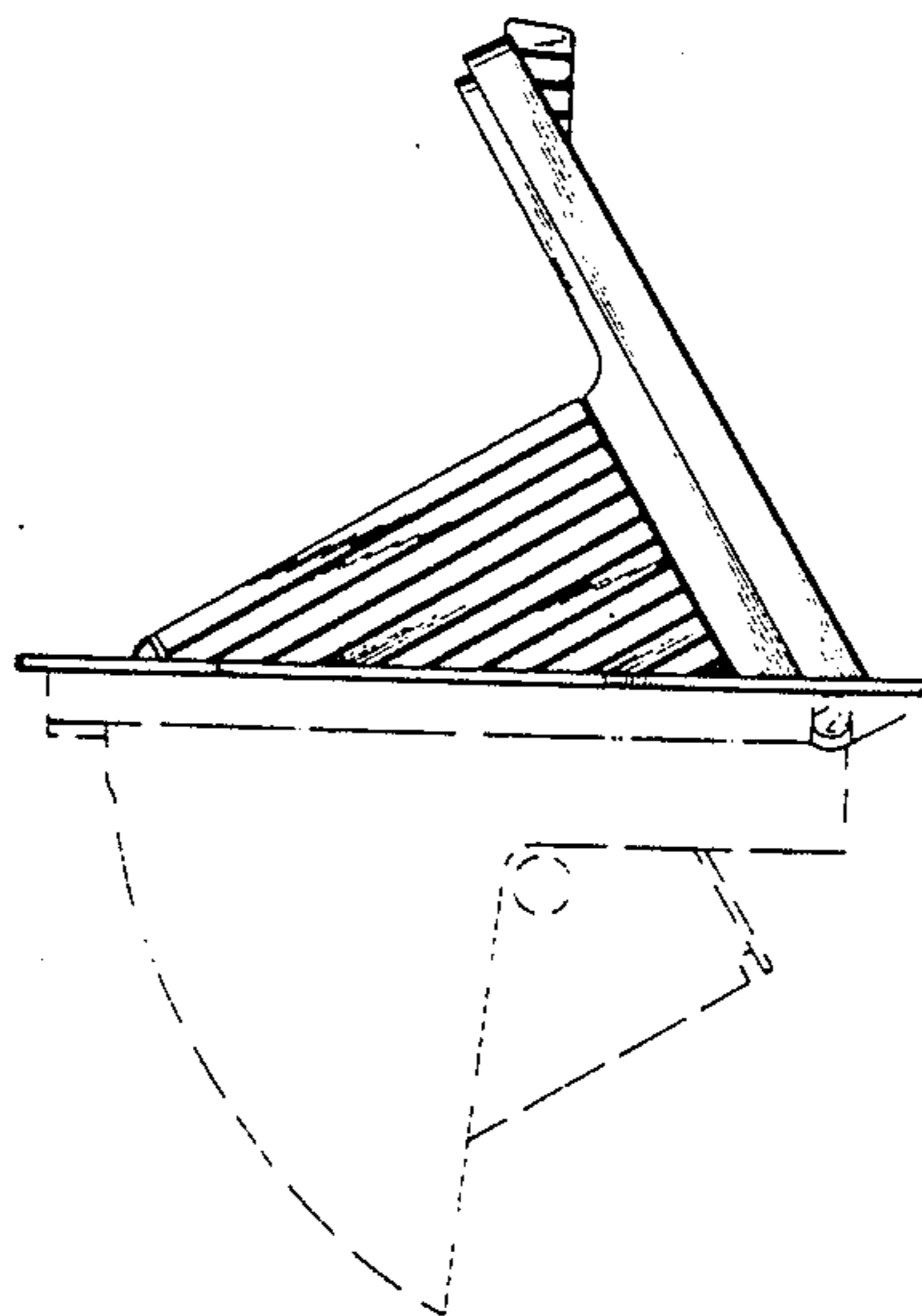
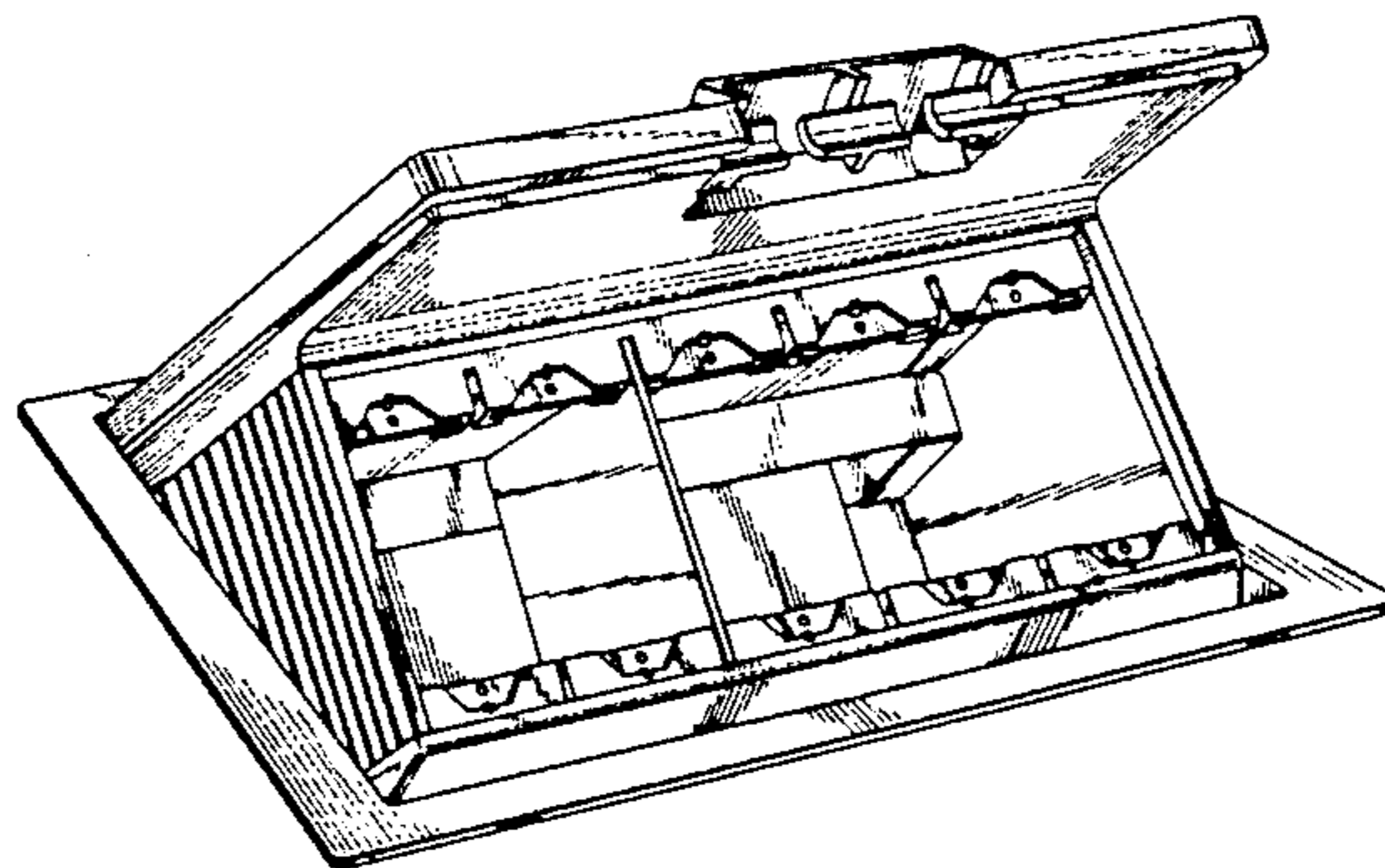
FIG. 1 is a perspective view of the access flooring module showing our new design;

FIG. 2 is a front elevational view thereof the pattern which is partially shown on the coverplate is understood to repeat across the circumscribed area;

FIG. 3 is a rear elevational view thereof again the pattern which is partially shown is understood to repeat across the entire surface;

FIG. 4 is a top plan view thereof; and,

FIG. 5 is a side elevational view thereof the broken lines being for illustrative purposes only.



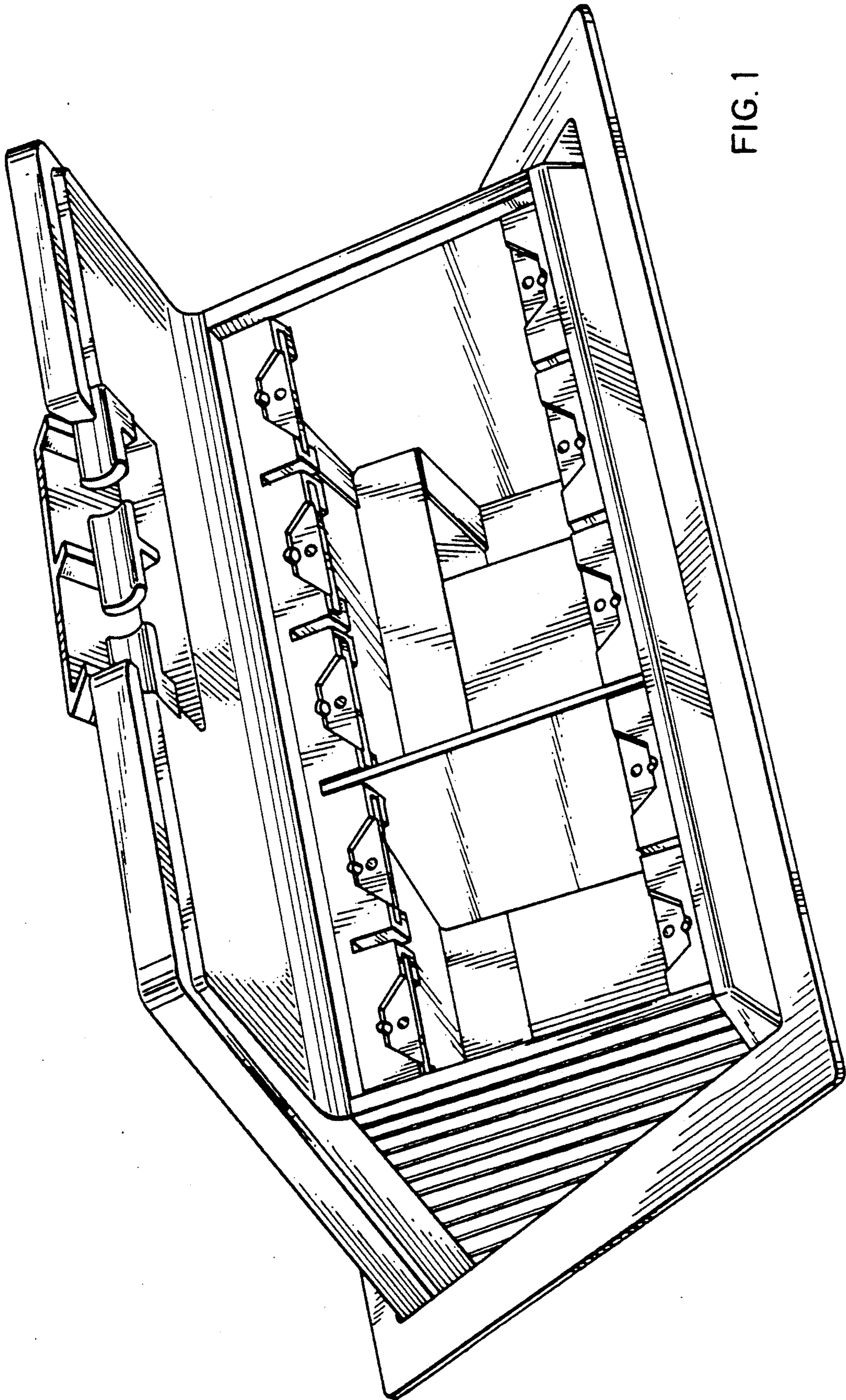


FIG. 1

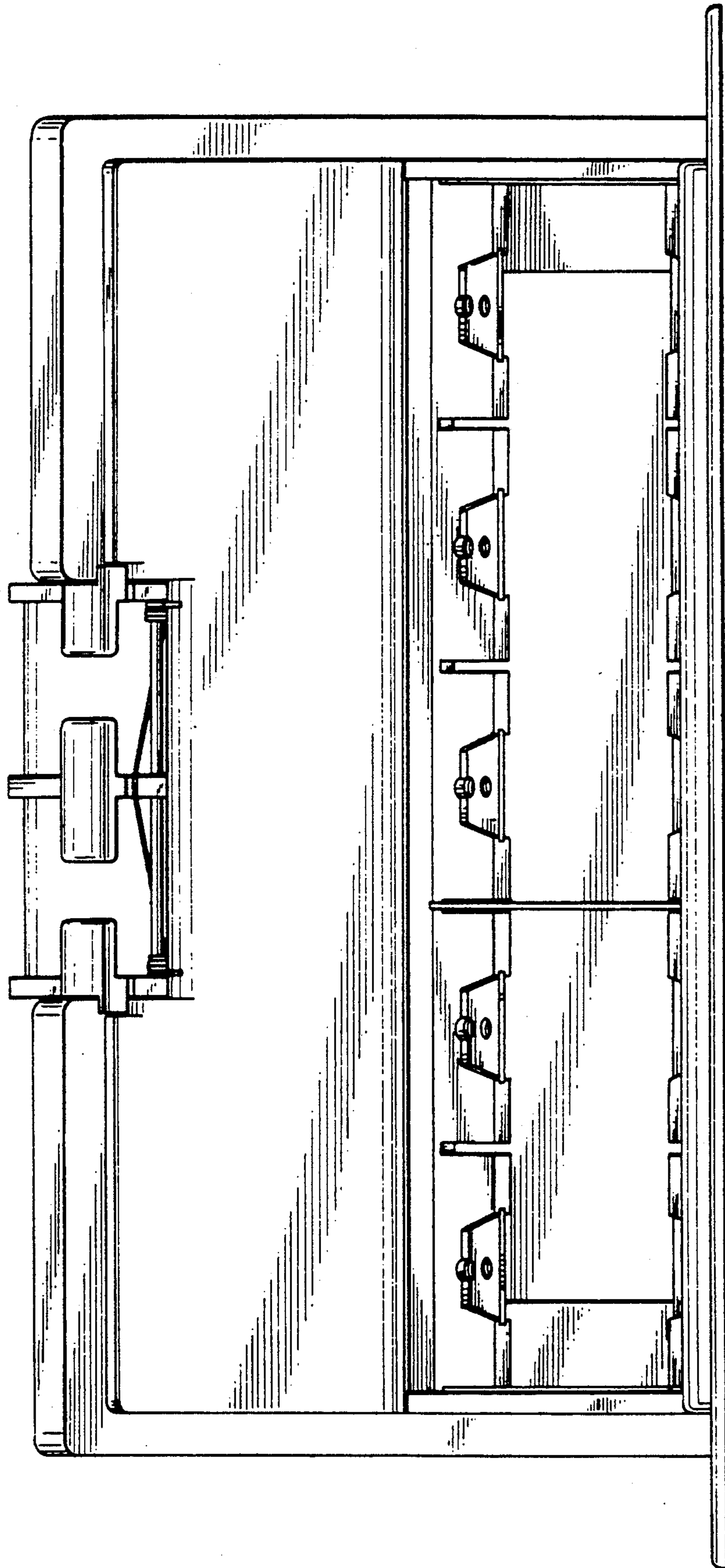


FIG. 2

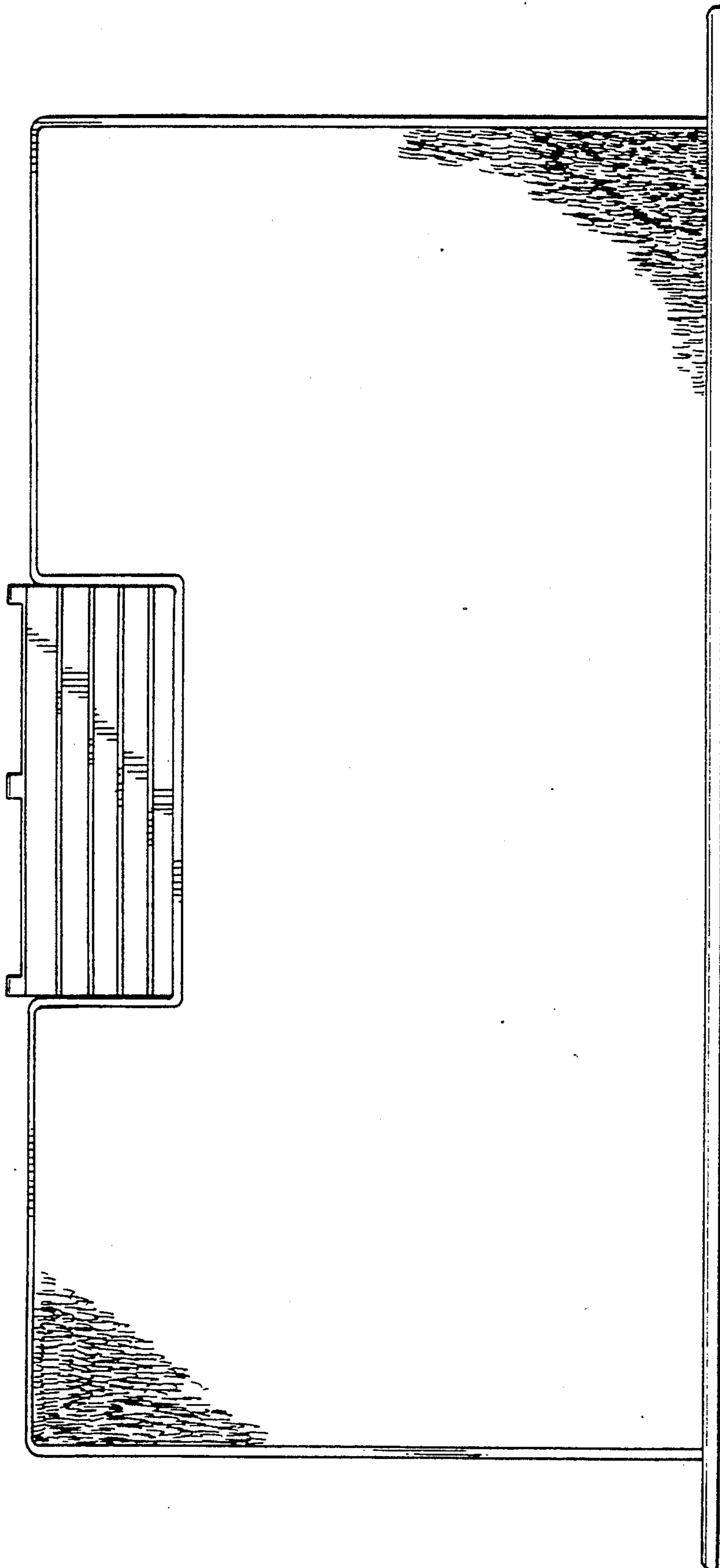


FIG. 3

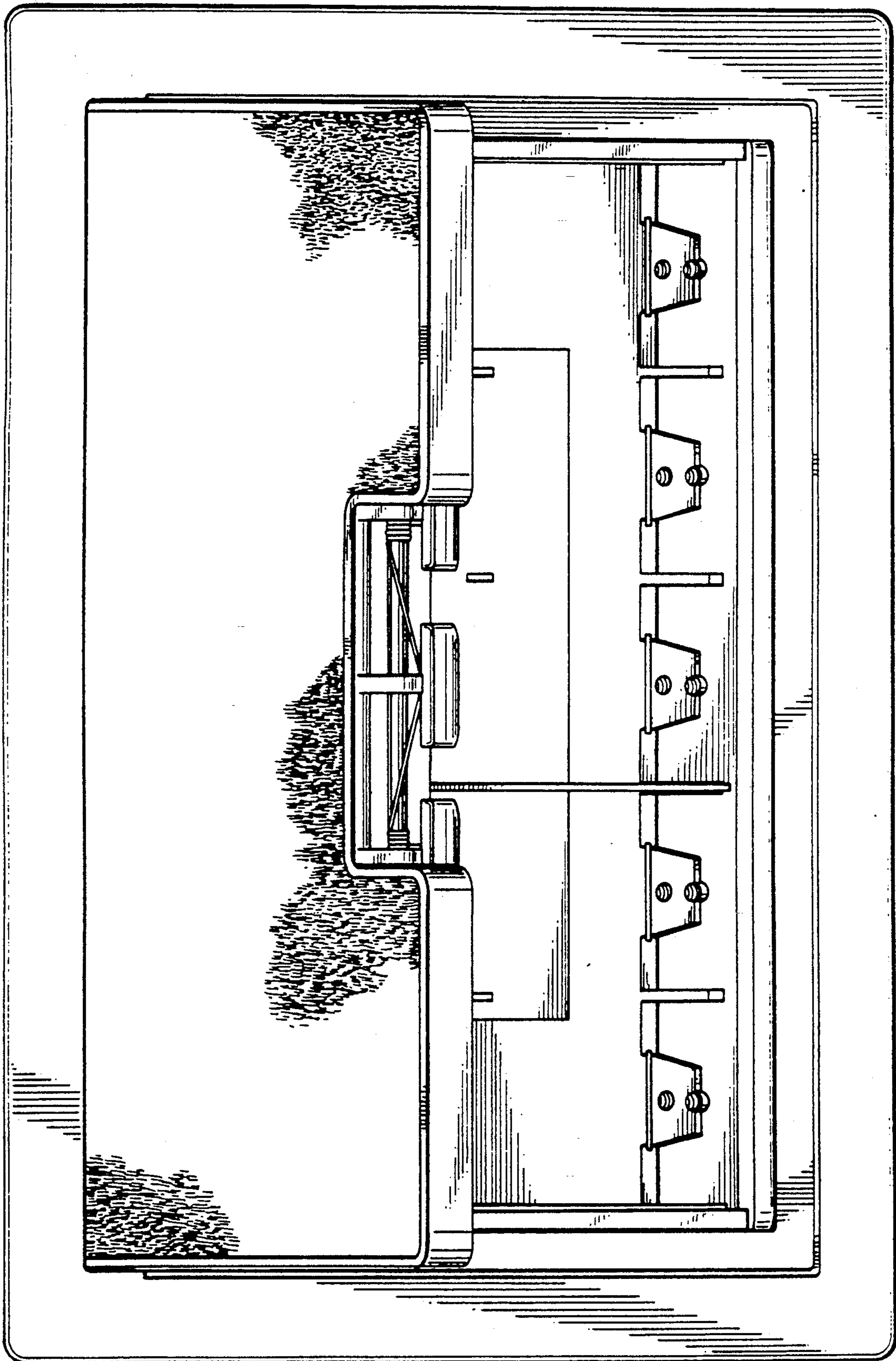


FIG. 4

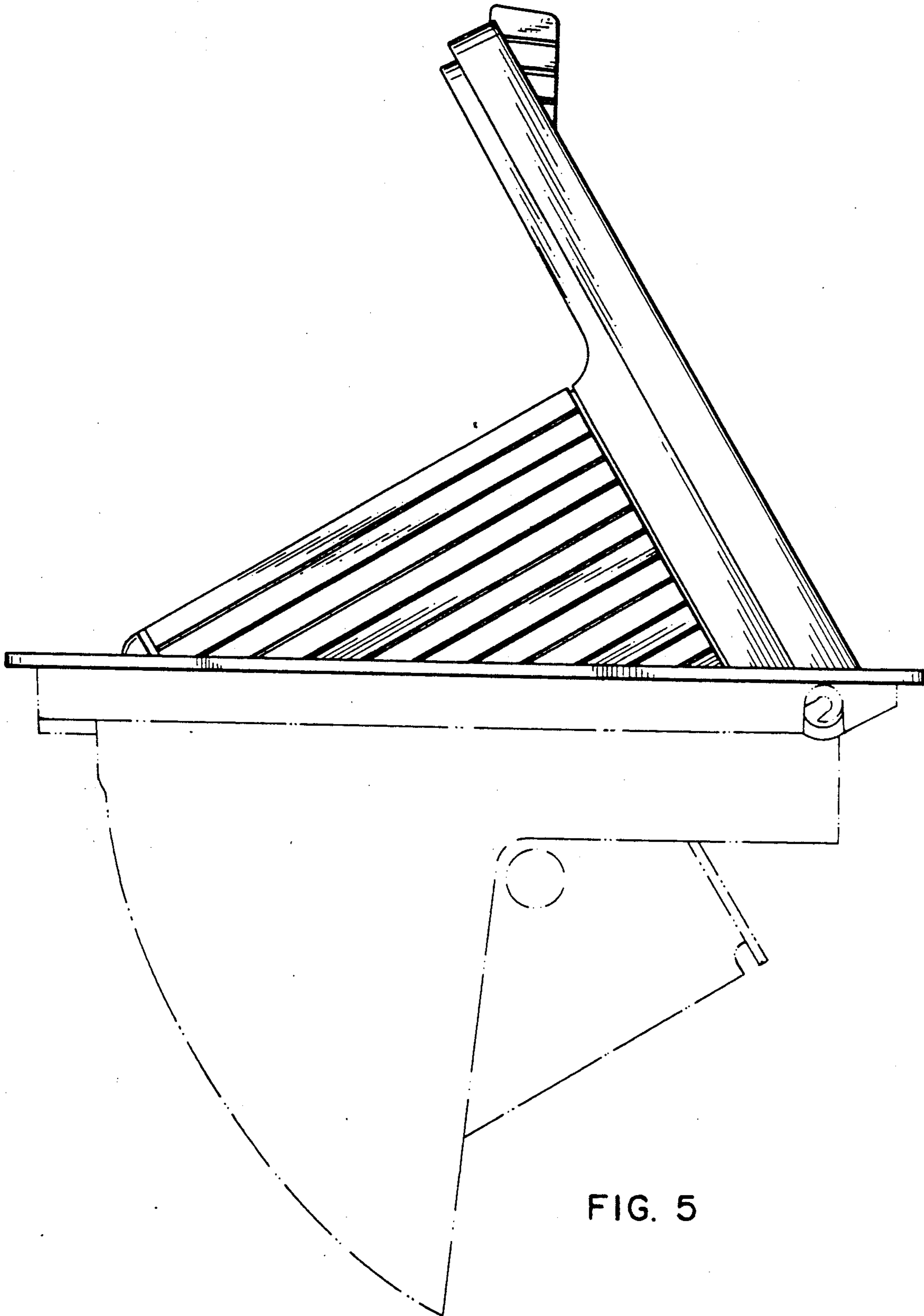


FIG. 5