



US00D327874S

**United States Patent** [19]  
**Henneberger**

[11] **Patent Number: Des. 327,874**  
[45] **Date of Patent: \*\* Jul. 14, 1992**

[54] **GUIDING TROUGH 45 ° HORIZONTAL ELBOW FOR OPTICAL FIBERS**

[75] **Inventor: Roy Henneberger, Eagan, Minn.**

[73] **Assignee: ADC Telecommunications, Inc., Minneapolis, Minn.**

[\*\*] **Term: 14 Years**

[21] **Appl. No.: 387,646**

[22] **Filed: Jul. 31, 1989**

[52] **U.S. Cl. .... D13/155**

[58] **Field of Search ..... D13/152, 155; D30/131; D23/267, 200, 393; D34/28; 248/49, 58, 68.1; 174/21 JS, 35 C, 48, 68.1, 68.3, 69, 72 A, 84 R, 101; 138/155, 156, 157, 177, DIG. 11; 350/96.16, 96.23, 96.3**

[56] **References Cited**

**U.S. PATENT DOCUMENTS**

1,986,965	1/1935	Frank	174/68.3 X
1,992,574	2/1935	Jenkins	174/68.3 X
3,003,794	10/1961	Burley	174/68.3 X
3,351,699	11/1967	Merckle	174/68.3 X
3,485,937	12/1969	Caveney	174/101
4,864,082	9/1989	Ono et al.	174/101 X
4,891,471	1/1990	Ono et al.	174/68.3
4,951,716	8/1990	Tsunoda et al.	174/68.3 X

**FOREIGN PATENT DOCUMENTS**

2365902	4/1978	France	174/101
0819878	4/1981	U.S.S.R.	174/68.3
0633365	12/1949	United Kingdom	174/68.3
0807341	1/1959	United Kingdom	174/68.3
2156034	10/1985	United Kingdom	138/155

**OTHER PUBLICATIONS**

Ditel UPL-1000/UPT-1000/Corner Cable Guides brochure, ©1986.

Tyton, Product Data Bulletin, The Lightguide System. Panduit Corp., Product Bulletin E-FOA-1, Fiber Optic Cable Accessories.

*Primary Examiner*—Susan J. Lucas

*Assistant Examiner*—Joel Sincavage

*Attorney, Agent, or Firm*—Merchant, Gould, Smith, Edell, Welter & Schmidt

[57] **CLAIM**

The ornamental design for guiding trough 45° horizontal elbow for optical fibers, as shown and described.

**DESCRIPTION**

FIG. 1 is a top, front and right side perspective view of a guiding trough, 45° horizontal elbow for optical fibers showing my new design;

FIG. 2 is a front elevational view thereof;

FIG. 3 is a rear elevational view thereof;

FIG. 4 is a top plan view thereof;

FIG. 5 is a bottom plan view thereof;

FIG. 6 is a right side elevational view thereof; and,

FIG. 7 is a left side elevational view thereof.

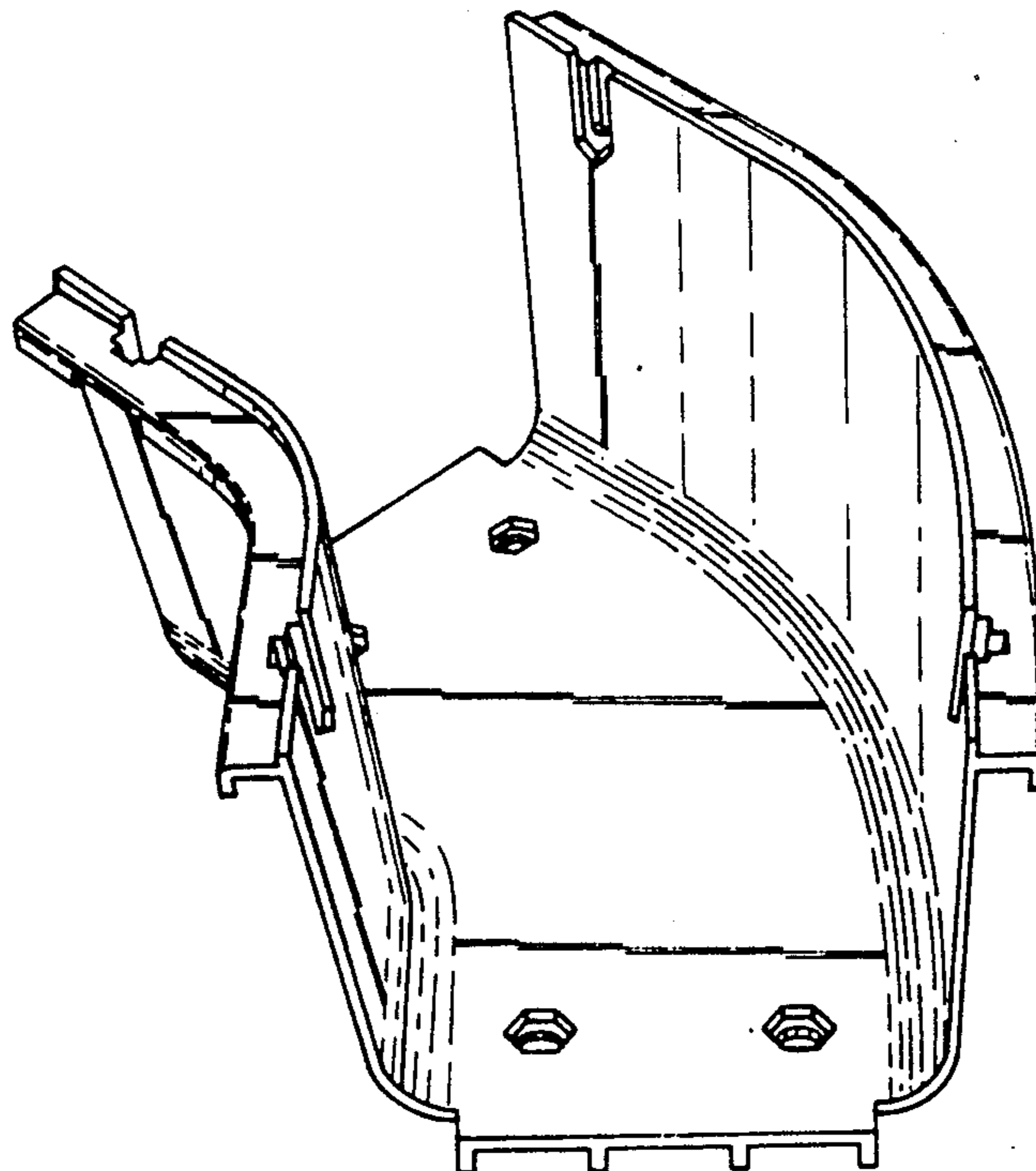


FIG. 1

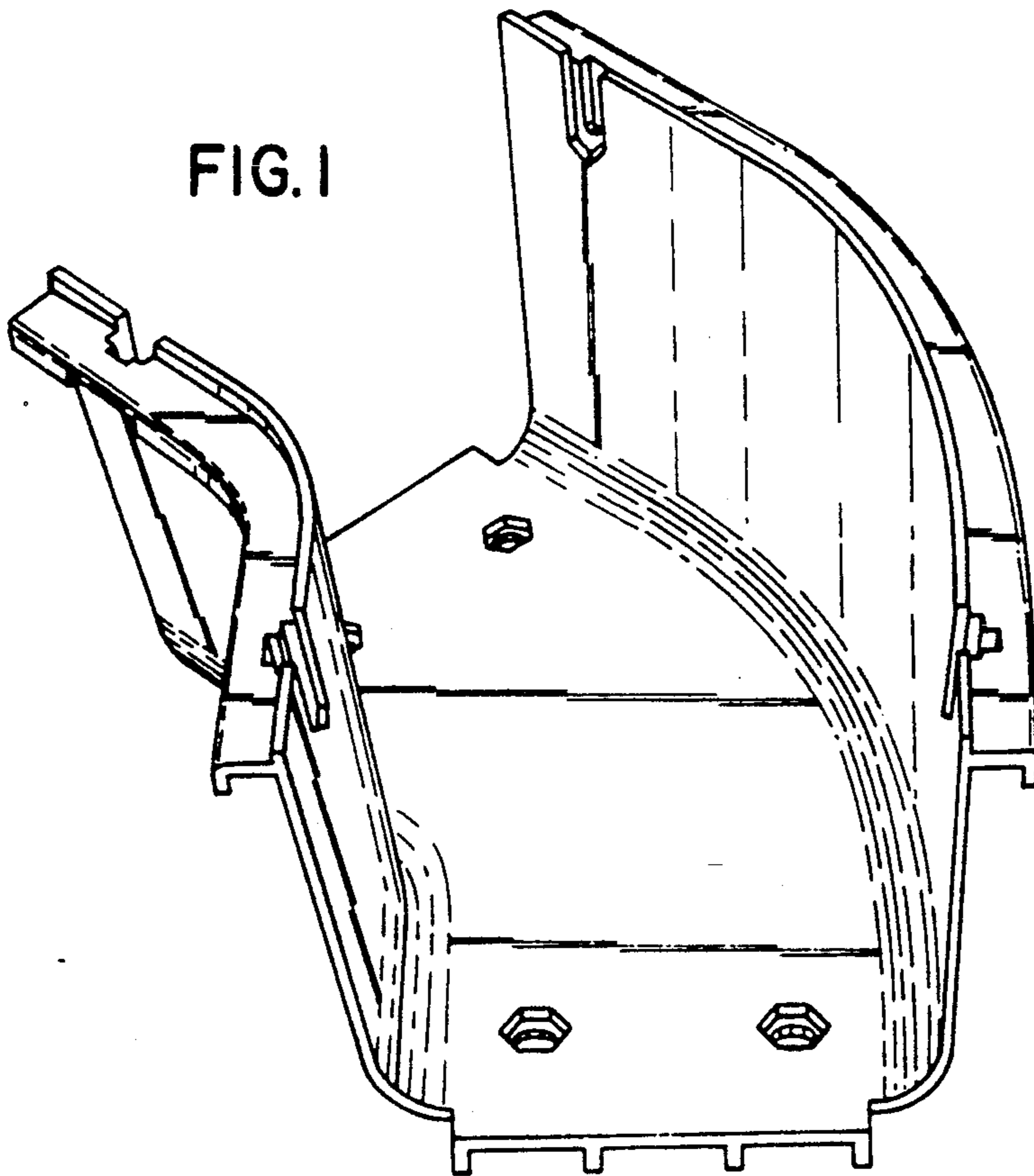


FIG. 2

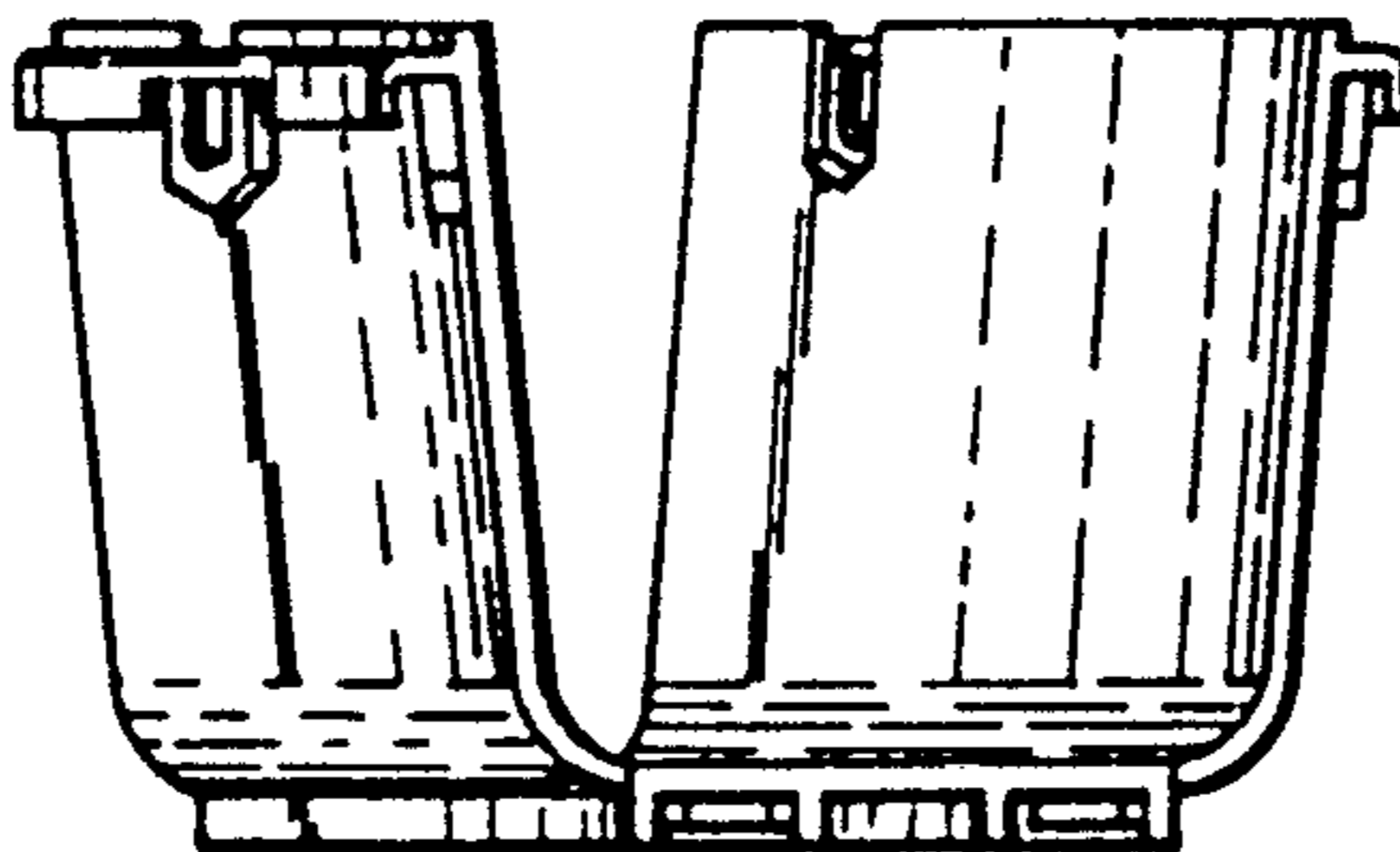


FIG. 3

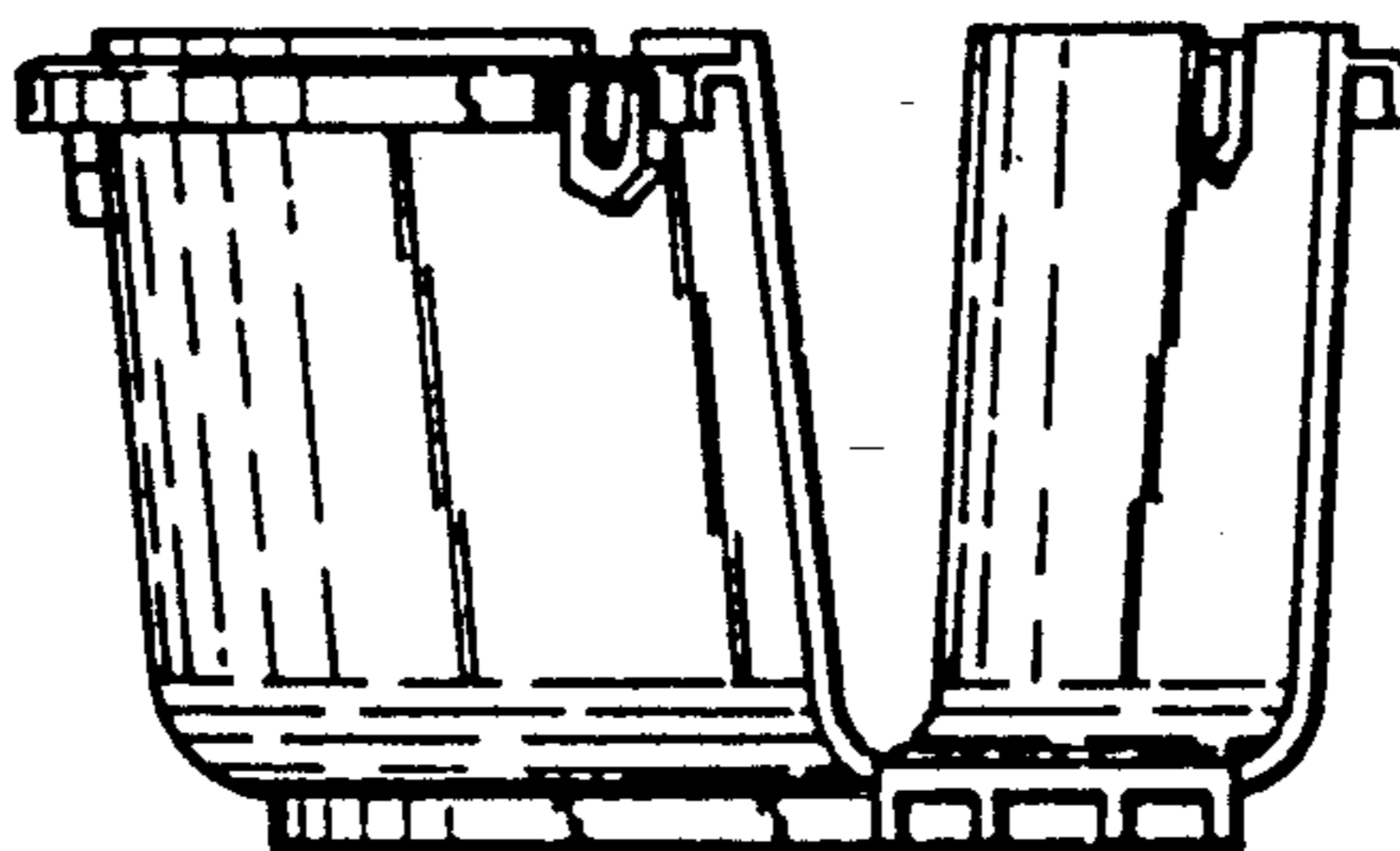


FIG.4

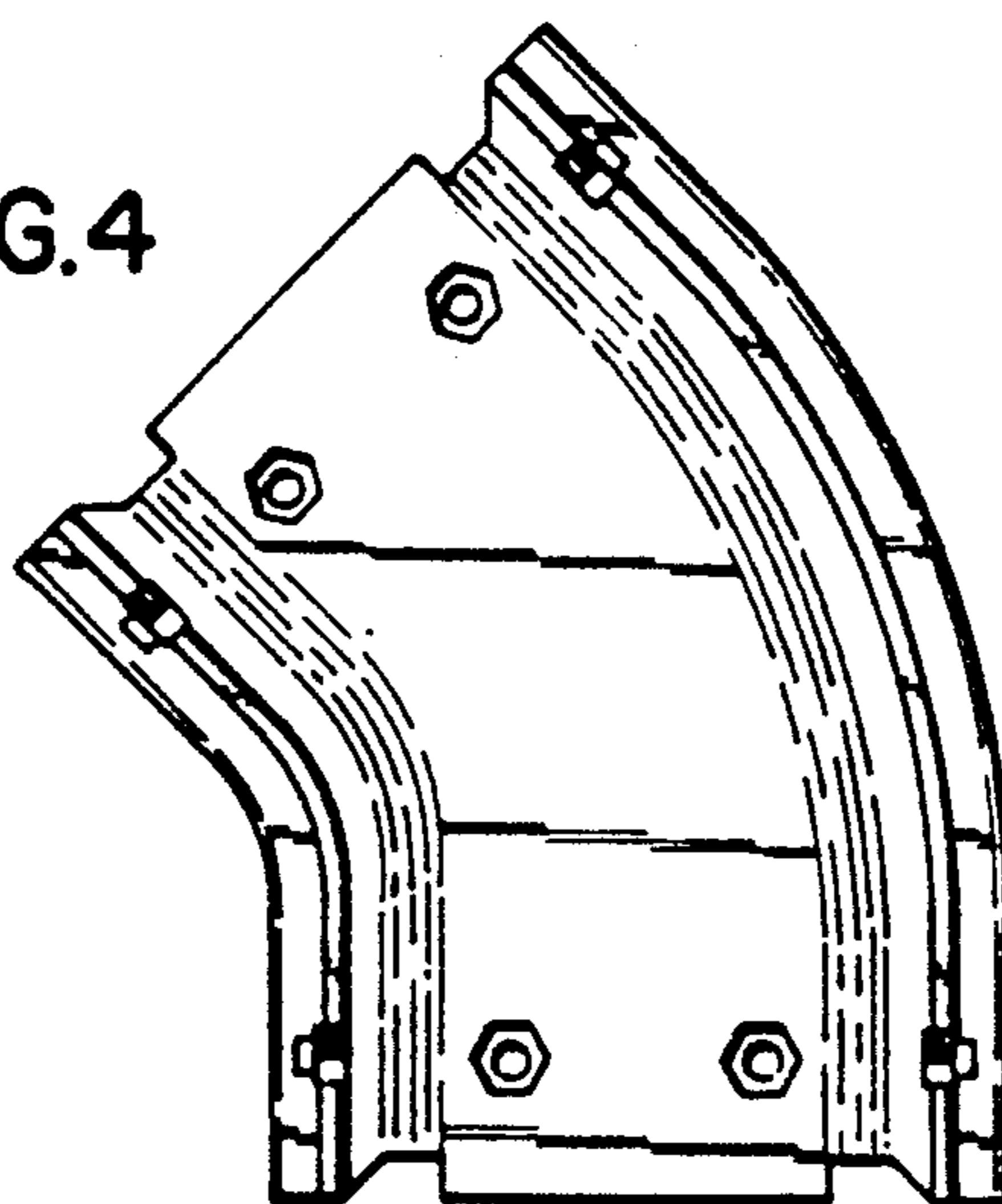


FIG.5

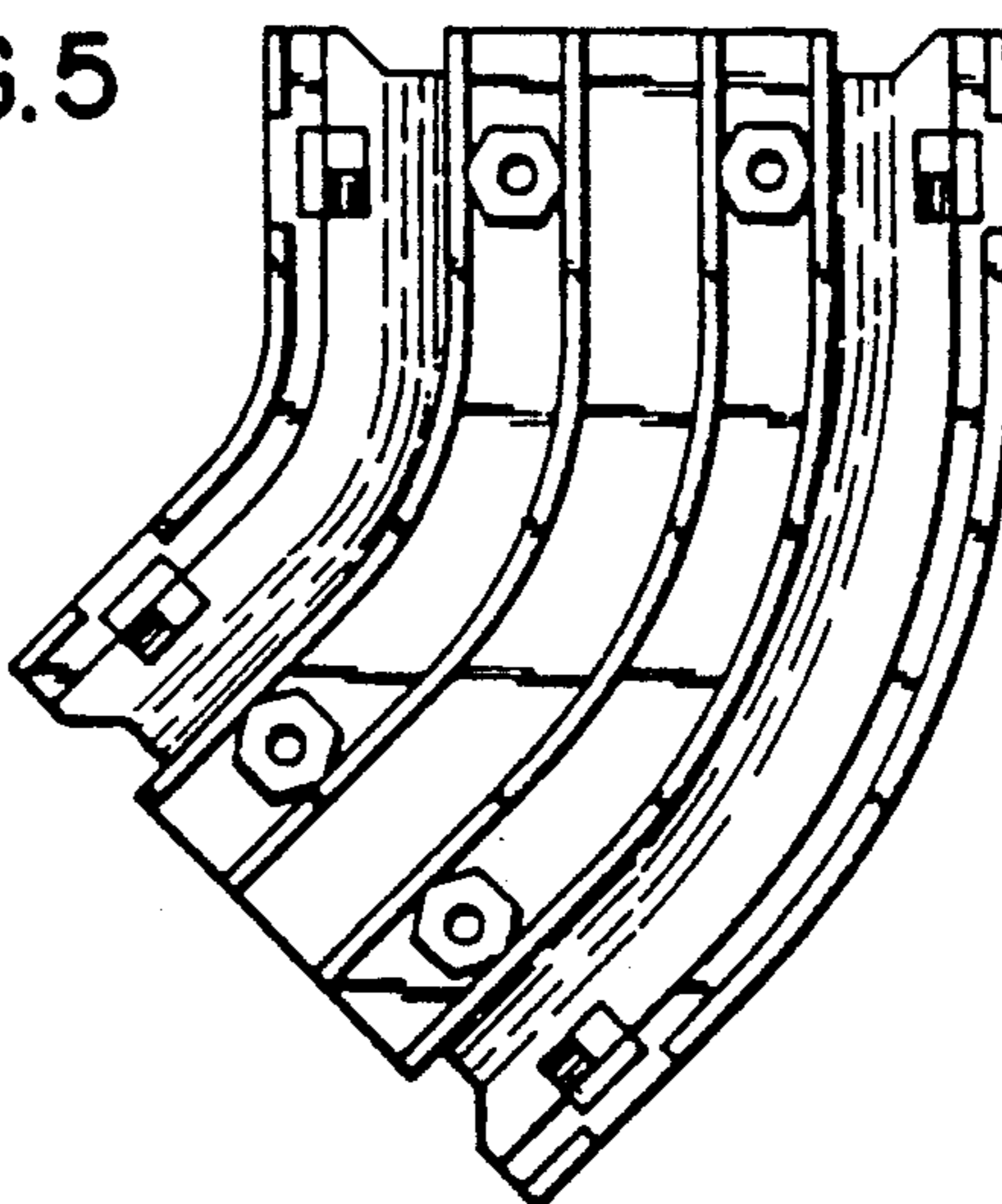


FIG.6

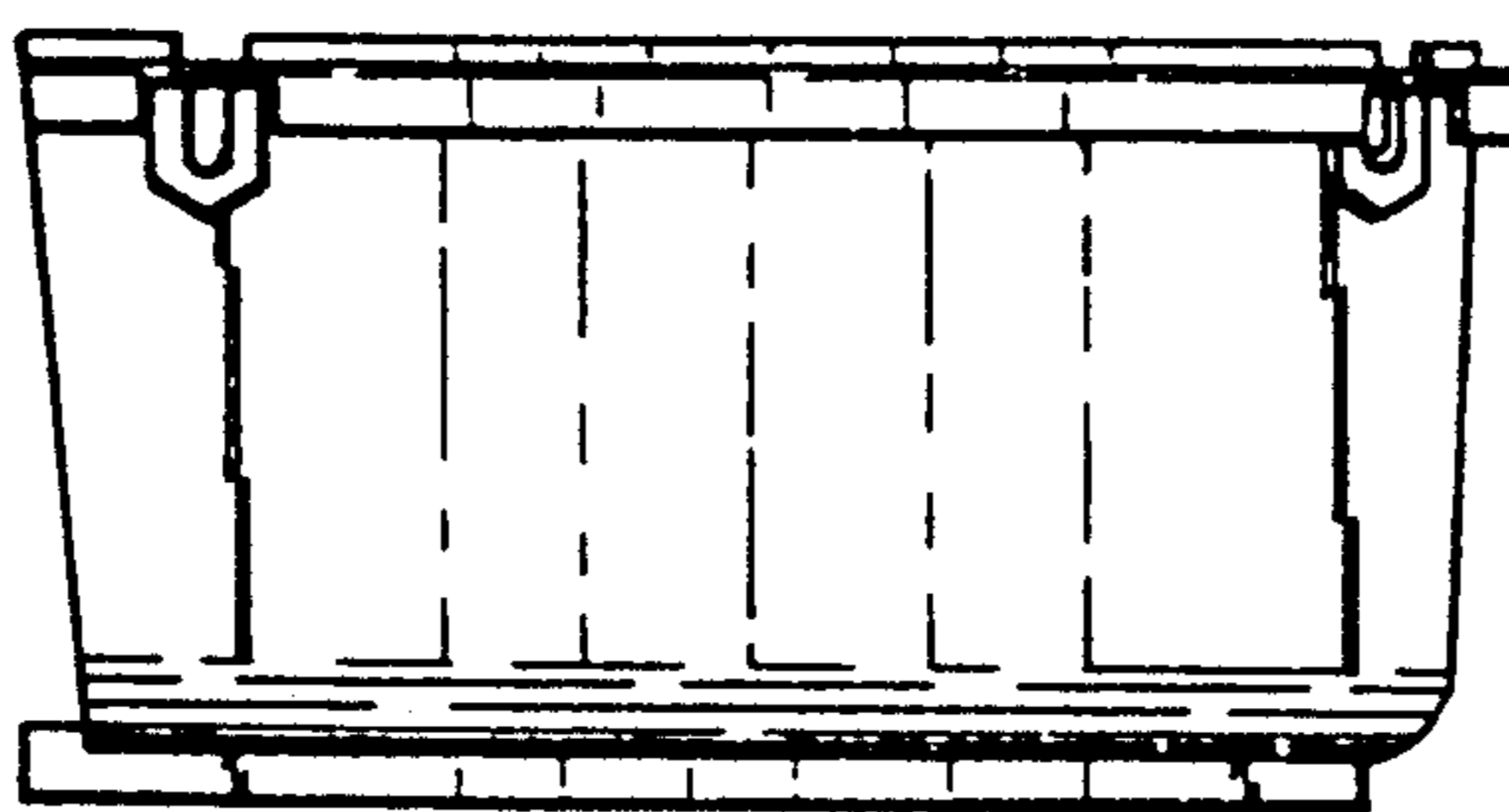


FIG.7

