



US00D327873S

United States Patent [19]

[11] Patent Number: **Des. 327,873**

Luu

[45] Date of Patent: **** Jul. 14, 1992**

- [54] **COMBINED POWER STRIP AND ELECTRICAL CORD**
- [75] Inventor: **Daniel H. V. Luu, Carmel, Ind.**
- [73] Assignee: **Pacomex Industries, Inc., Indianapolis, Ind.**
- [**] Term: **14 Years**
- [21] Appl. No.: **459,574**
- [22] Filed: **Jan. 2, 1990**

Assistant Examiner—M. H. Tung
Attorney, Agent, or Firm—Barnes & Thornburg

[57] CLAIM

The ornamental design for a combined power strip and electrical cord, as shown and described.

DESCRIPTION

FIG. 1 is a top plan view of a combined power strip and electrical cord showing my new design, the power strip shown separately for clarity of illustration; FIG. 2 is a side elevational view thereof; FIG. 3 is an opposite side elevational view thereof; FIG. 4 is a bottom plan view thereof; FIG. 5 is an end elevational view thereof; FIG. 6 is an opposite end elevational view thereof; FIG. 7 is a perspective view thereof; FIG. 8 is a top plan view of a second embodiment thereof, the power strip shown separately for clarity of illustration; FIG. 9 is a side elevational view thereof; FIG. 10 is an opposite side elevational view thereof; FIG. 11 is an end elevational view thereof; FIG. 12 is an opposite end elevational view thereof; FIG. 13 is a perspective view of a third embodiment thereof; FIG. 14 is a top plan view thereof, the power strip shown separately for clarity of illustration; FIG. 15 is a side elevational view thereof; FIG. 16 is an opposite side elevational view thereof; and, FIG. 17 is a perspective view of fourth embodiment thereof.

The bottom plan views of the second, third and fourth embodiments are flat and unadorned as shown in FIG. 4.

The side and end elevational views are similar to that of the third embodiment.

Related U.S. Application Data

- [63] Continuation-in-part of Ser. No. 436,180, Nov. 13, 1989, abandoned.
- [52] U.S. Cl. **D13/140**
- [58] Field of Search **D13/137, 140, 147, 160-161; 439/651-652, 650, 653-654, 209-212, 214, 502, 505, 527, 686-687, 690, 671; 361/356**

[56] References Cited

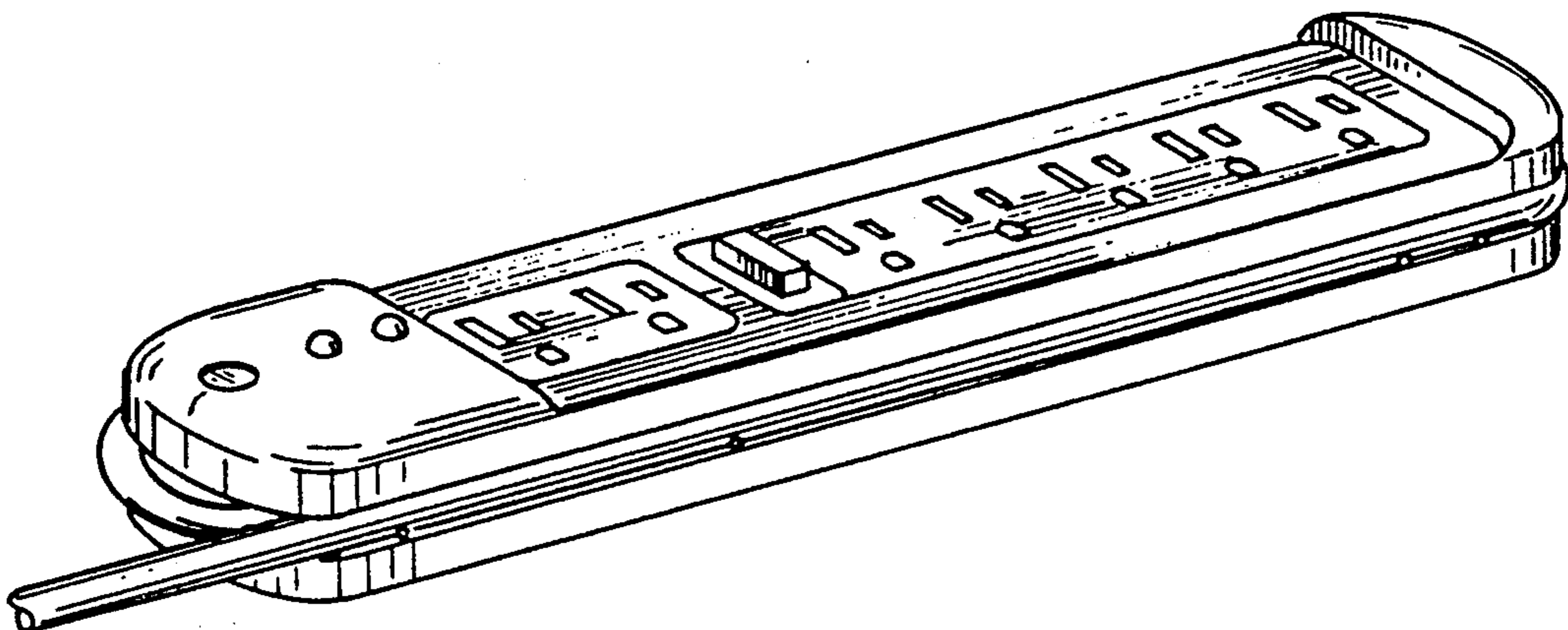
U.S. PATENT DOCUMENTS

- D. 270,629 9/1983 Drew .
- D. 285,435 9/1986 Hoehne .
- D. 294,487 3/1988 Bannigan D13/140
- D. 318,262 7/1991 Newwirth D13/137
- 2,231,001 2/1941 Engstrom .
- 3,290,453 12/1966 Jensen .
- 3,478,295 11/1969 Gneshaber 439/650 X
- 4,095,871 6/1978 Holte .
- 4,717,350 1/1988 Lax .
- 4,867,701 9/1989 Wiand 439/652 X
- 4,930,047 5/1990 Peterson 361/356 X

FOREIGN PATENT DOCUMENTS

- 803250 9/1936 France .

Primary Examiner—Susan J. Lucas



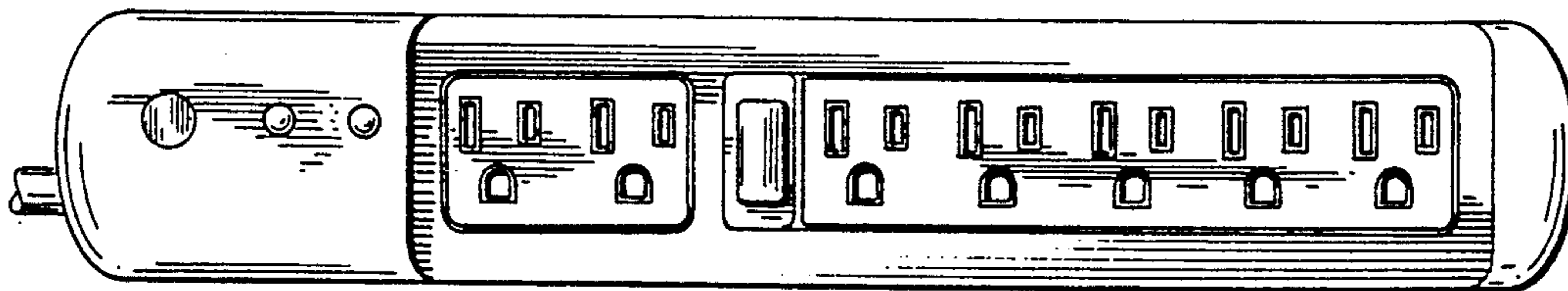


FIG. 1

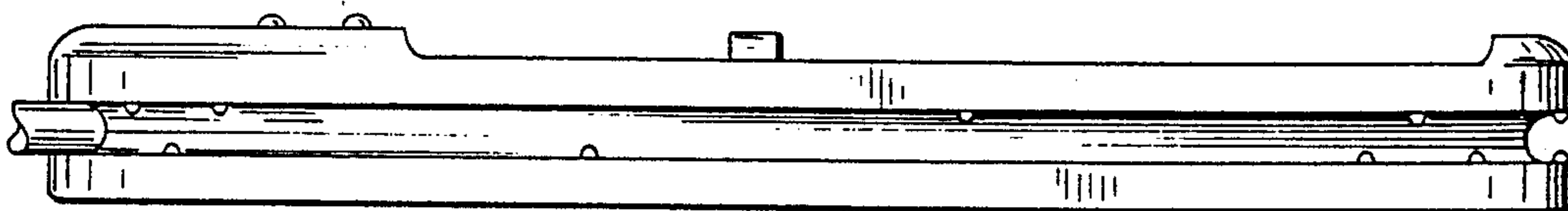


FIG. 2

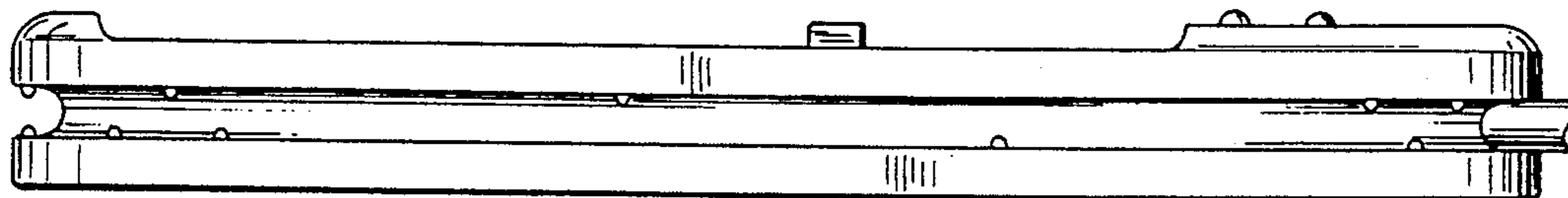


FIG. 3

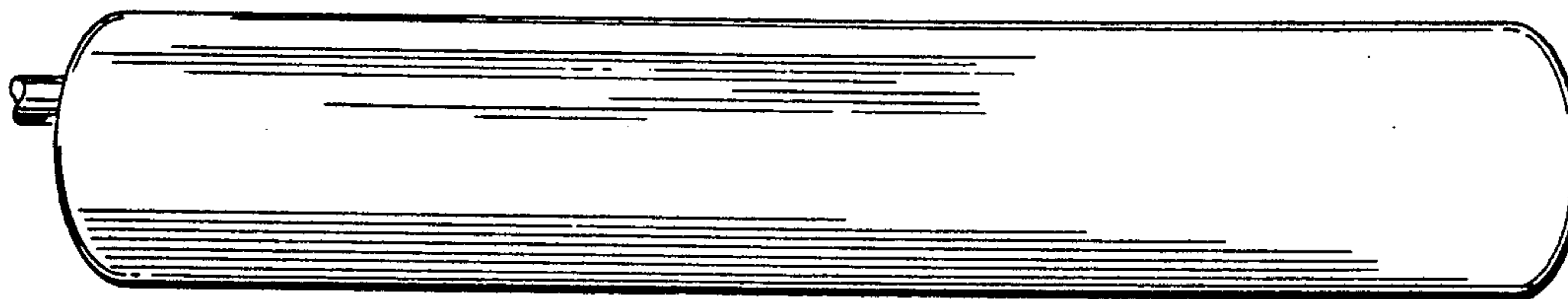
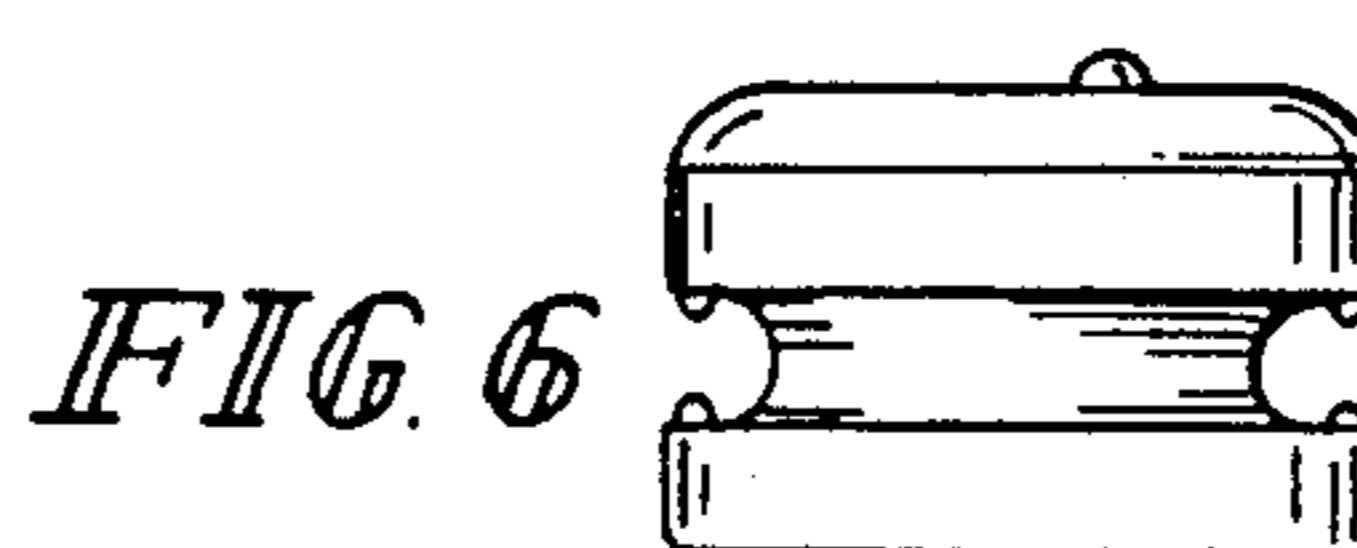
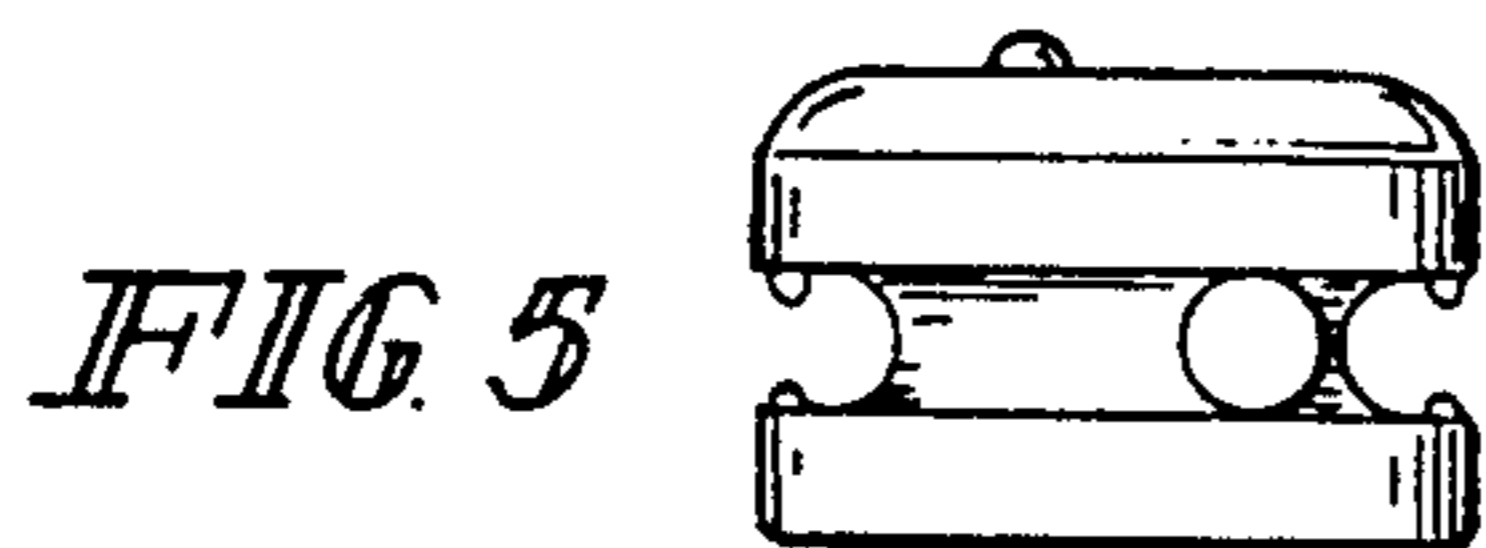


FIG. 4



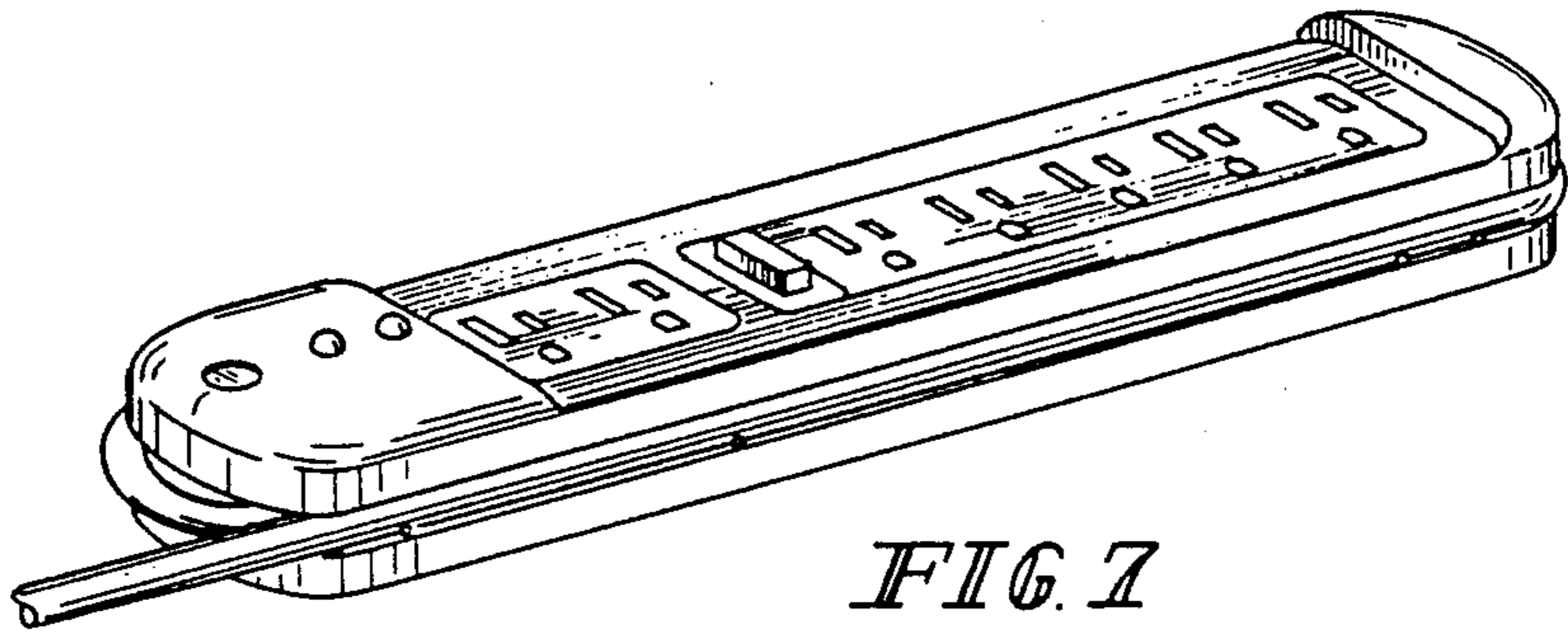


FIG. 7

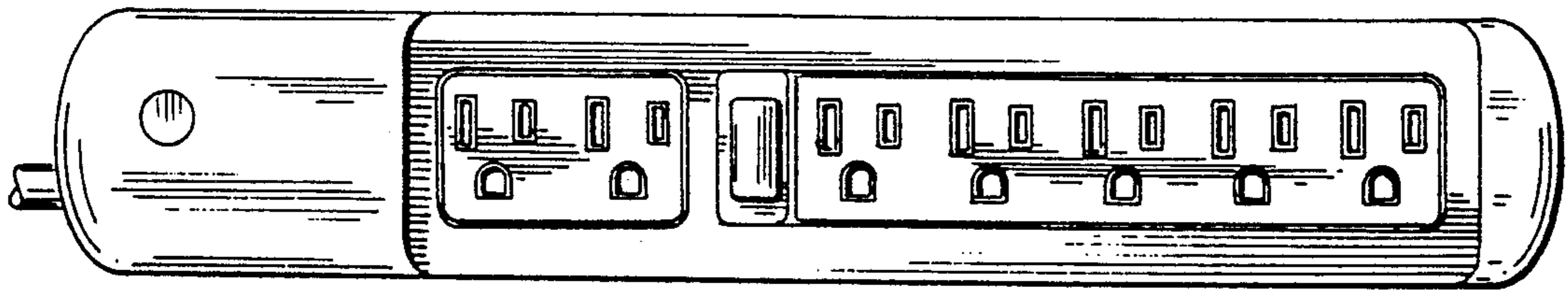


FIG. 8

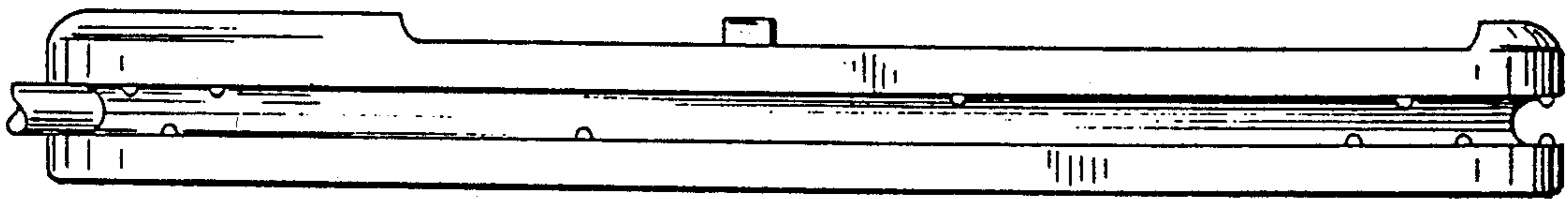


FIG. 9

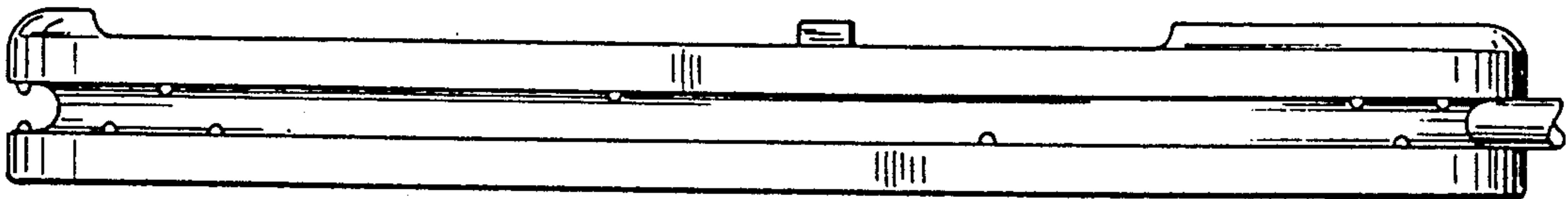


FIG. 10

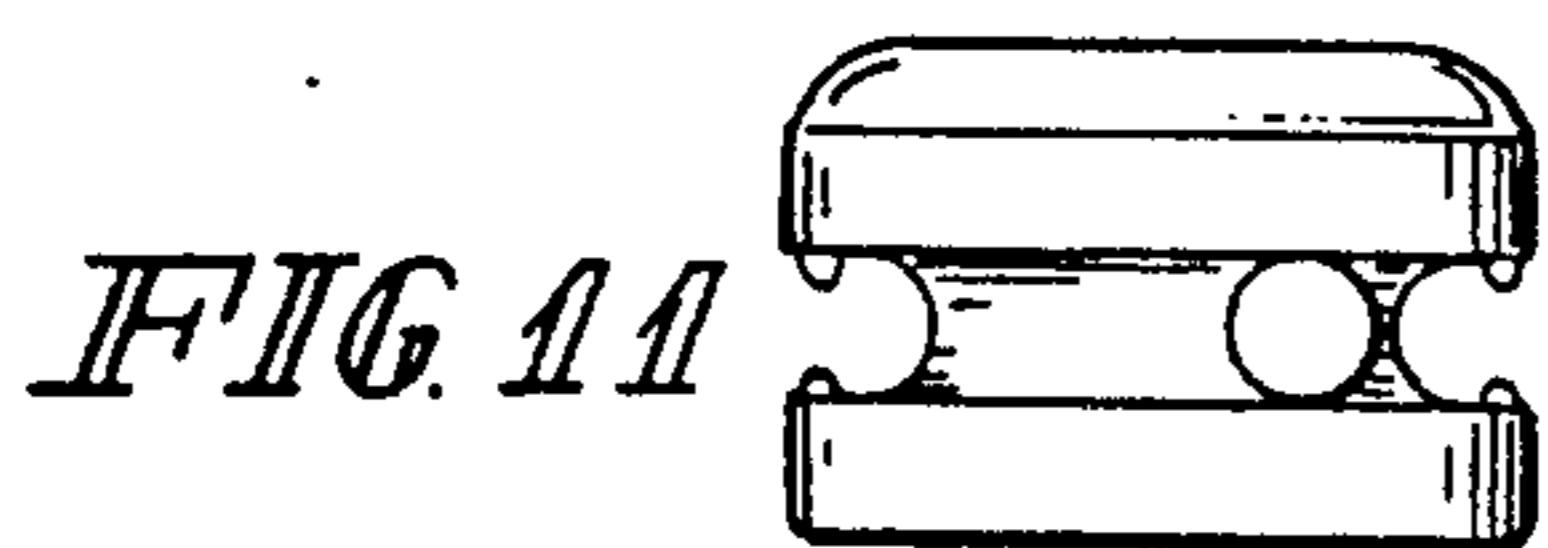


FIG. 11

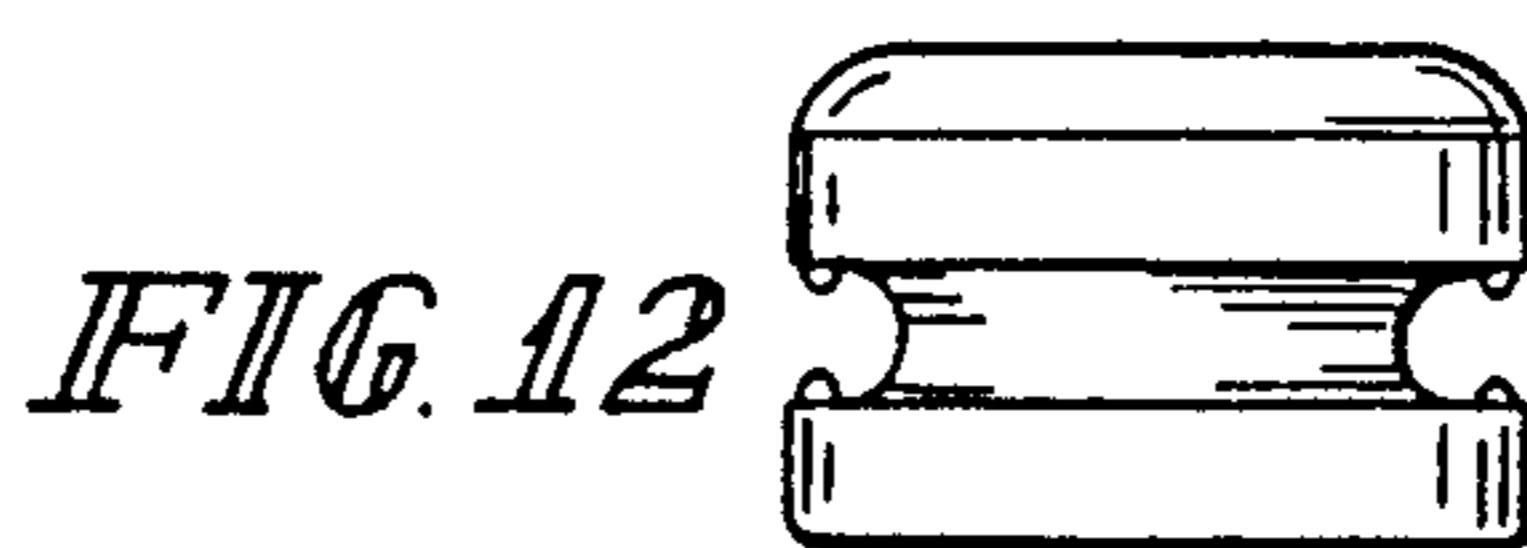


FIG. 12

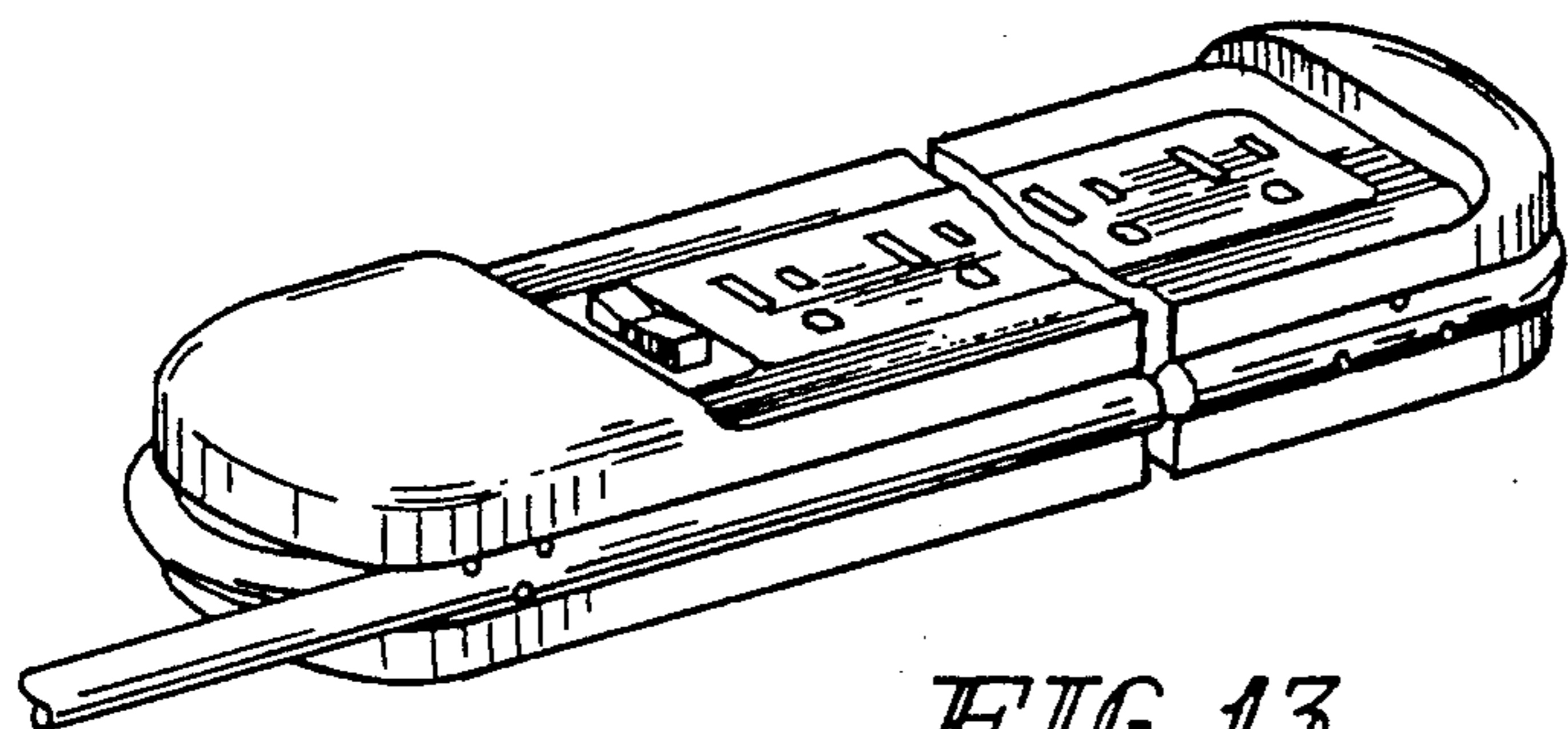


FIG. 13

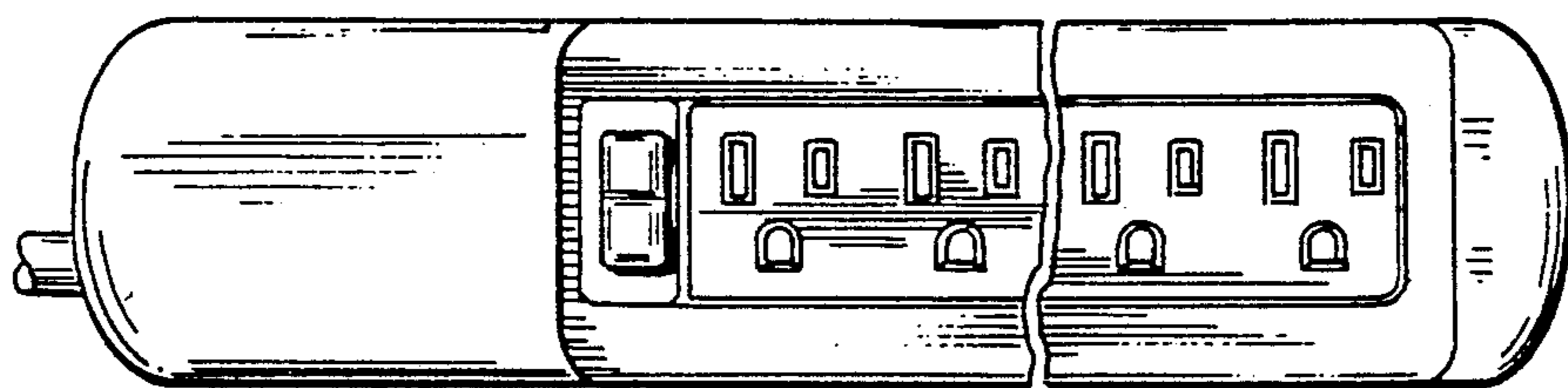


FIG. 14

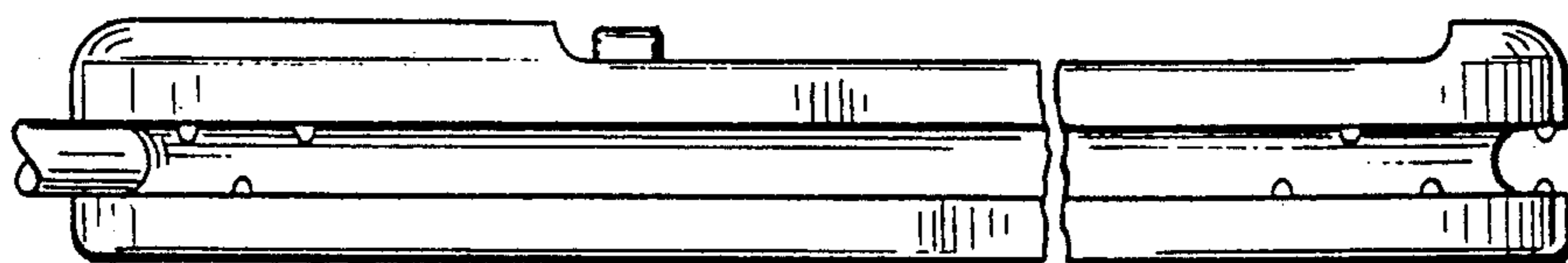


FIG. 15

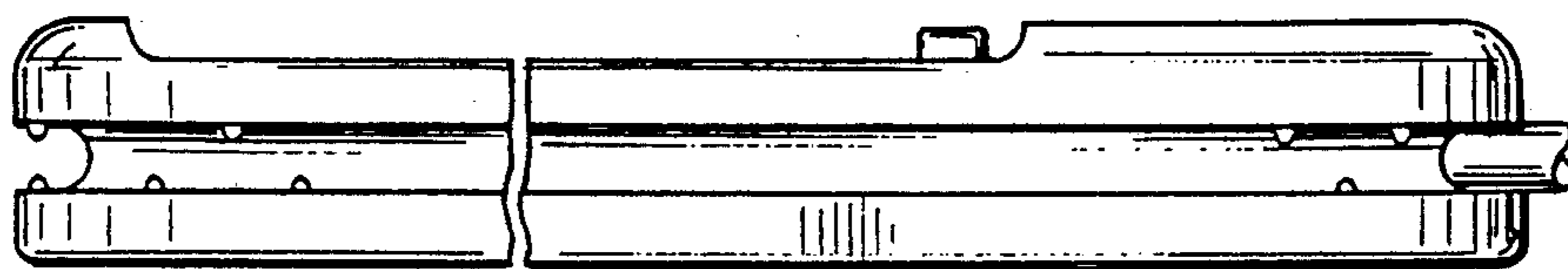


FIG. 16

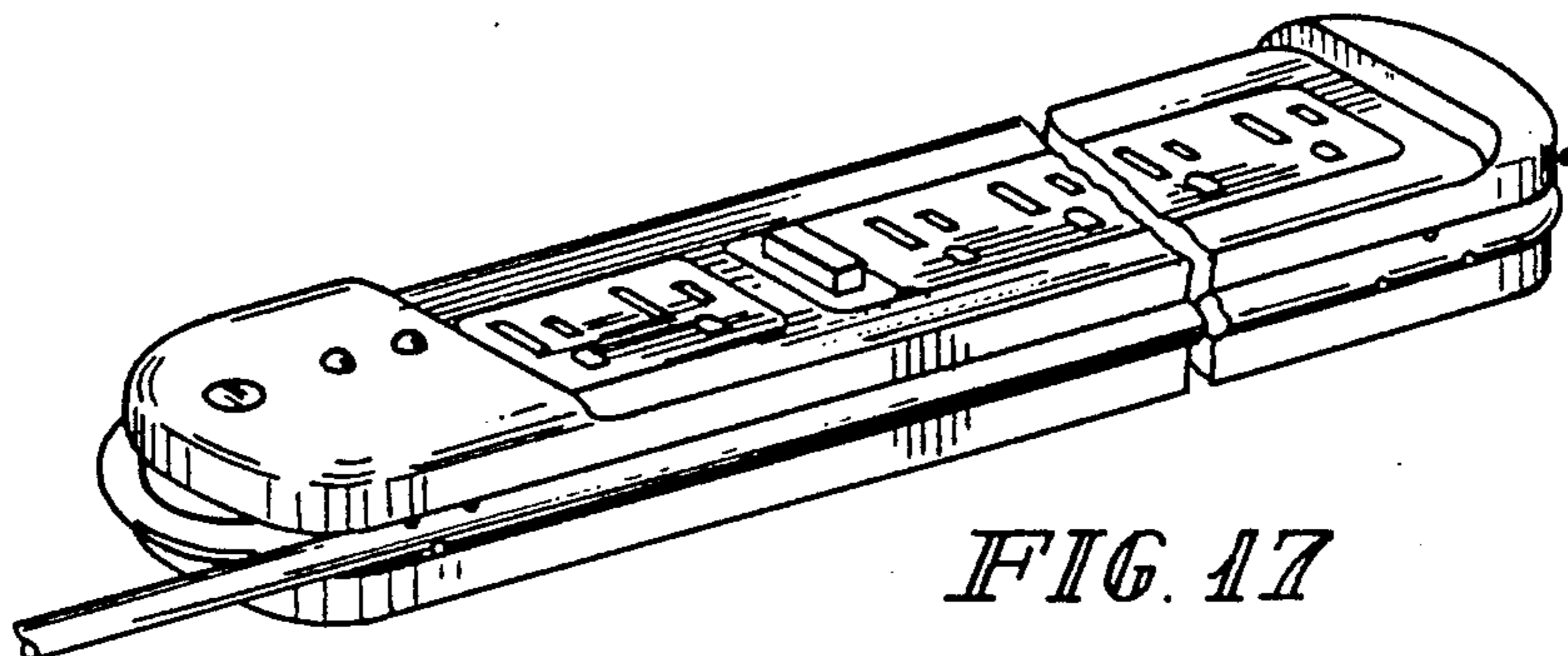


FIG. 17