



US00D327872S

# United States Patent [19]

[11] Patent Number: **Des. 327,872**

McMills et al.

[45] Date of Patent: **\*\* Jul. 14, 1992**

[54] **COAXIAL CABLE CONNECTOR**

3,681,742 8/1972 Newman ..... 439/744

[75] Inventors: **Corey McMills, Los Altos; John Mattis, Sunnyvale, both of Calif.**

**FOREIGN PATENT DOCUMENTS**

2443032 4/1975 Fed. Rep. of Germany ..... 439/583

[73] Assignee: **Raychem Corporation, Menlo Park, Calif.**

**OTHER PUBLICATIONS**

Connectors on p. 6 of Hosiden 1986 catalog. Located in examiner's office.

[\*\*] Term: **14 Years**

*Primary Examiner*—Susan J. Lucas

[21] Appl. No.: **534,409**

*Assistant Examiner*—J. Sincavage

[22] Filed: **Jun. 6, 1990**

*Attorney, Agent, or Firm*—A. Stephen Zavell; Herb Burkard

**Related U.S. Application Data**

[57] **CLAIM**

[63] Continuation-in-part of Ser. No. 509,669, Apr. 19, 1990, which is a continuation-in-part of Ser. No. 434,068, Nov. 8, 1989, which is a continuation-in-part of Ser. No. 364,917, Jun. 9, 1989.

The ornamental design for a coaxial cable connector, as shown and described.

[52] U.S. Cl. .... **D13/133**

**DESCRIPTION**

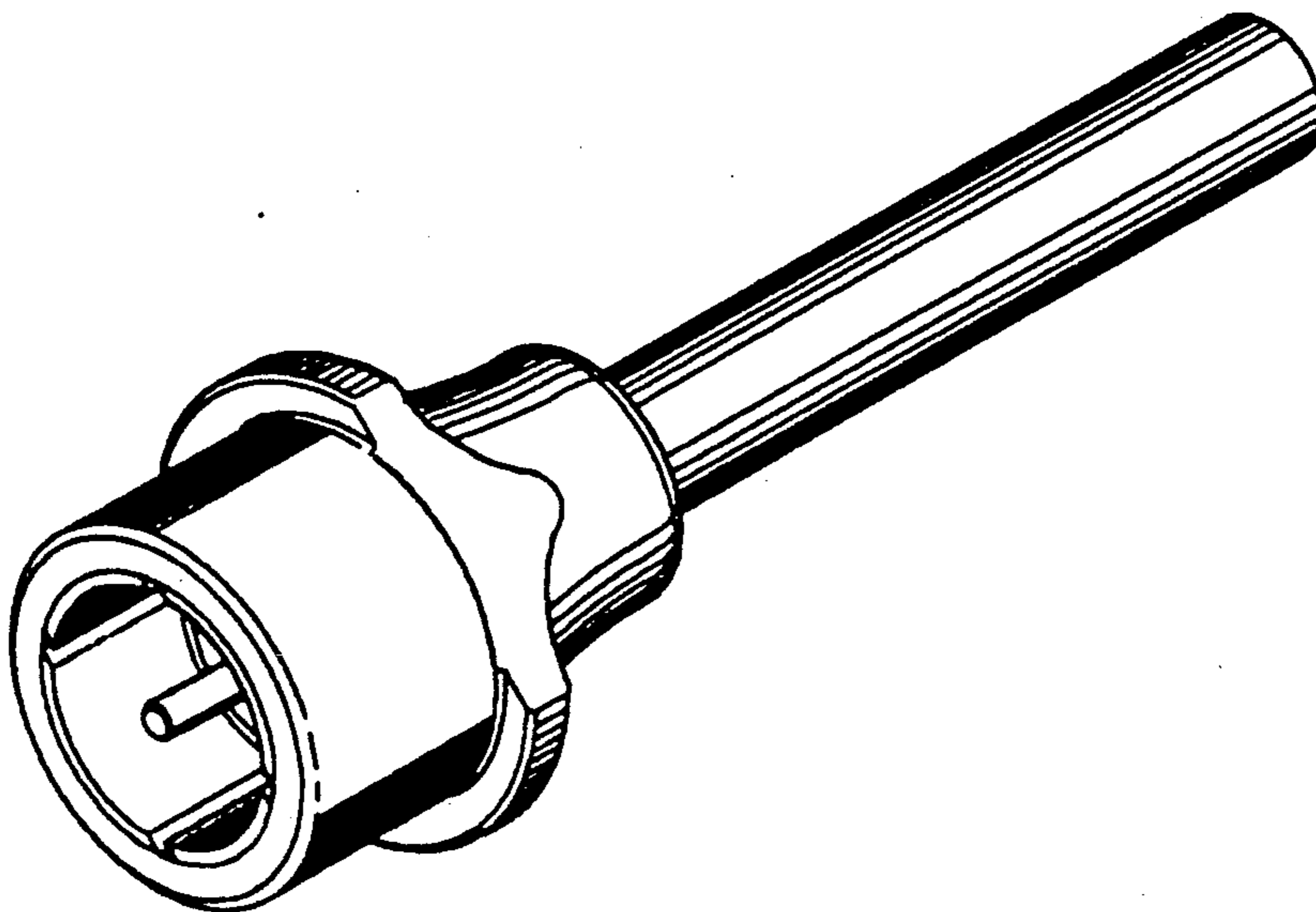
[58] Field of Search ..... **D13/133, 146, 147; D23/259, 262, 269; 439/63, 578, 583, 584**

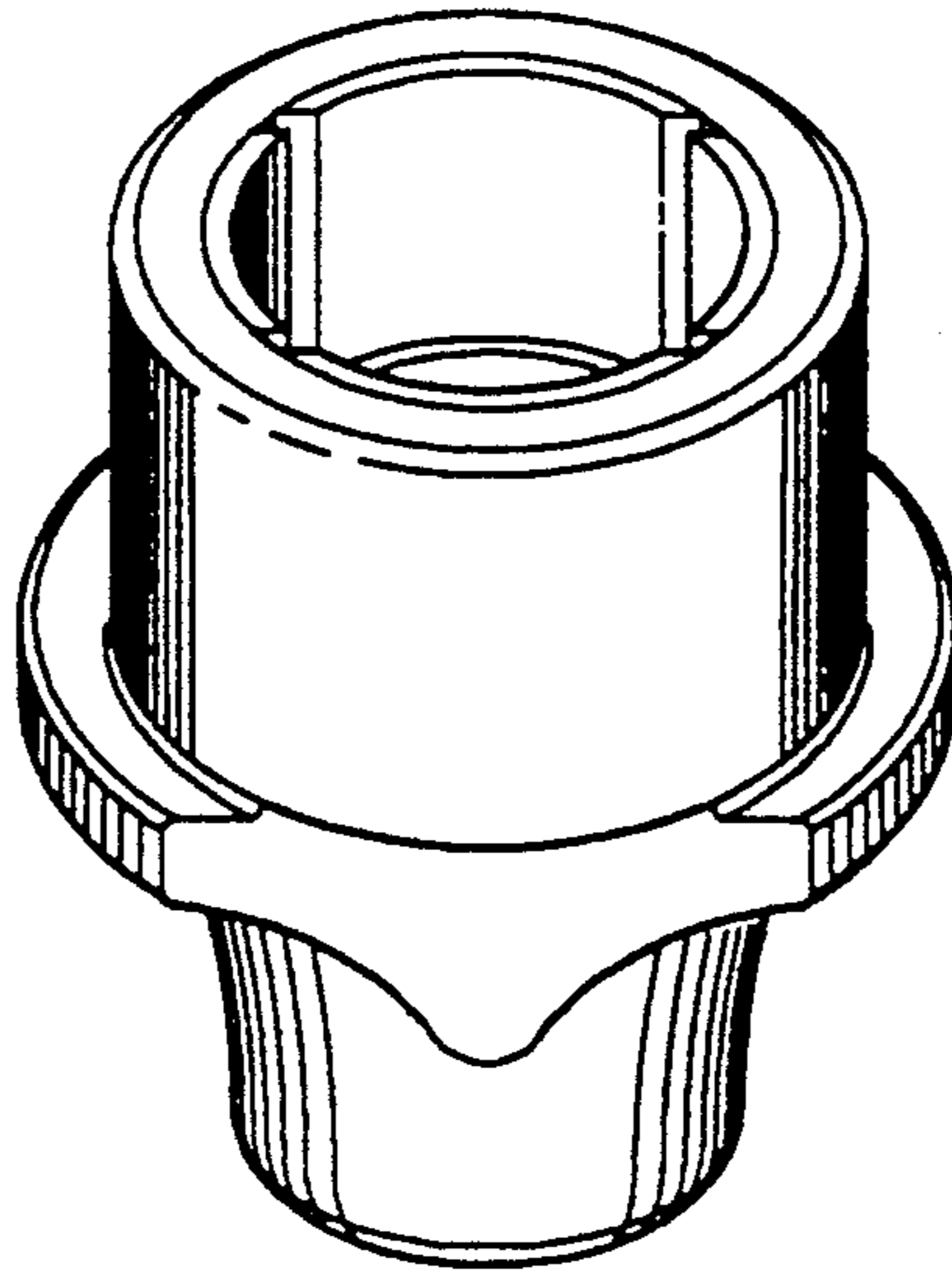
FIG. 1 is a front and top perspective view of a coaxial cable connector showing our new design; FIG. 2 is a top plan view of a coaxial cable connector showing our new design on a reduced scale; FIG. 3 is a bottom plan view thereof; FIG. 4 is a front elevational view thereof; FIG. 5 is a rear elevational view thereof; FIG. 6 is a right side elevational view thereof; FIG. 7 is a left side elevational view thereof; and, FIG. 8 is a top, front and side perspective view thereof shown on an enlarged scale. The broken line showing of the coaxial cable and the center core is included for the purpose of illustrating environmental elements only and forms no part of the claimed design.

[56] **References Cited**

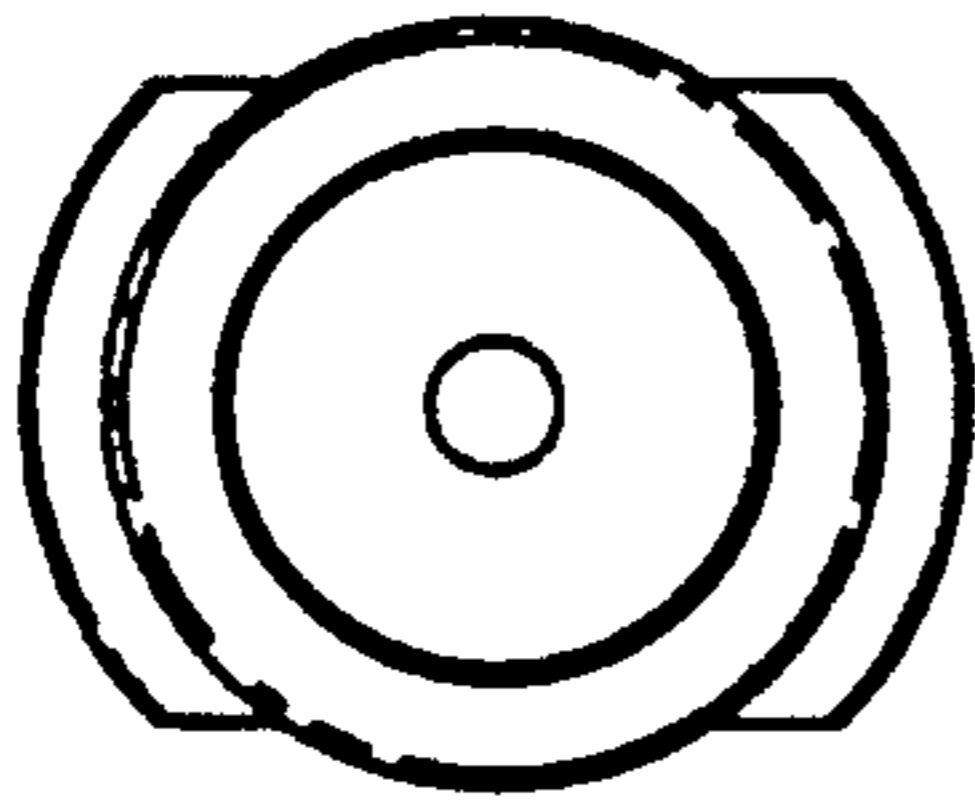
**U.S. PATENT DOCUMENTS**

- D. 136,190 8/1943 Urell ..... D13/133
- D. 194,089 11/1962 Nilsen ..... D23/262
- D. 274,453 6/1984 Hayes ..... D23/262
- D. 318,044 7/1991 Tanaka ..... D13/156 X
- 2,717,589 9/1955 Harkness ..... 313/142
- 3,121,598 2/1964 Marasco ..... 439/282
- 3,124,405 3/1964 Massa ..... 439/282
- 3,196,382 7/1965 Morello, Jr. .... 339/177
- 3,209,287 9/1965 Oxner et al. .... 439/583 X

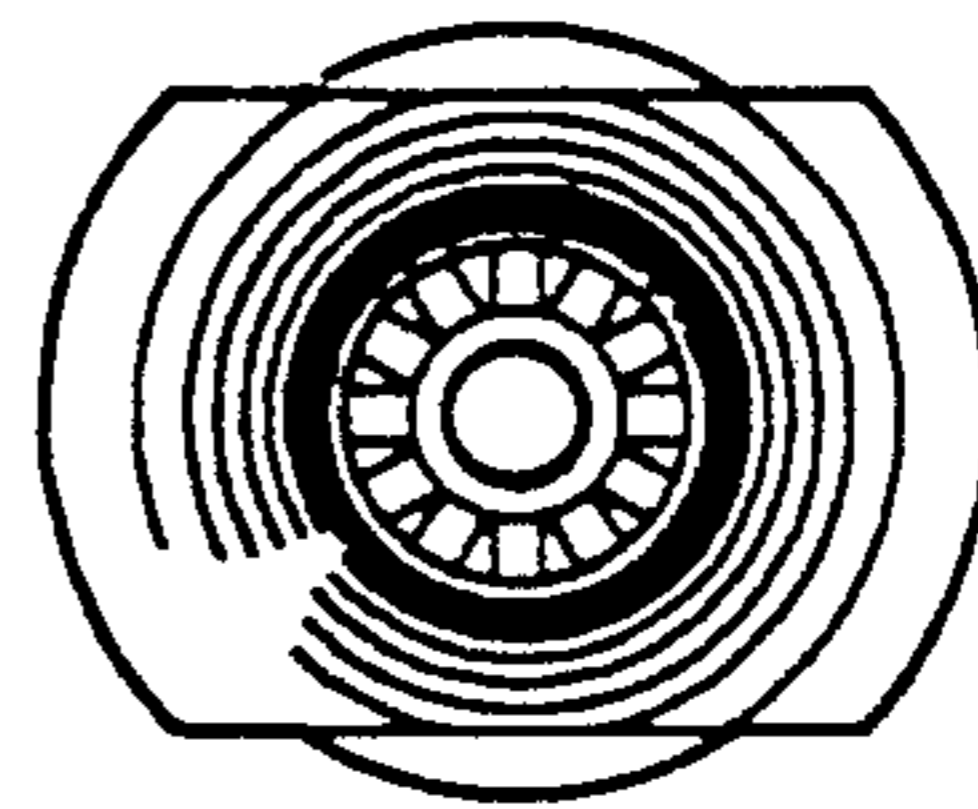




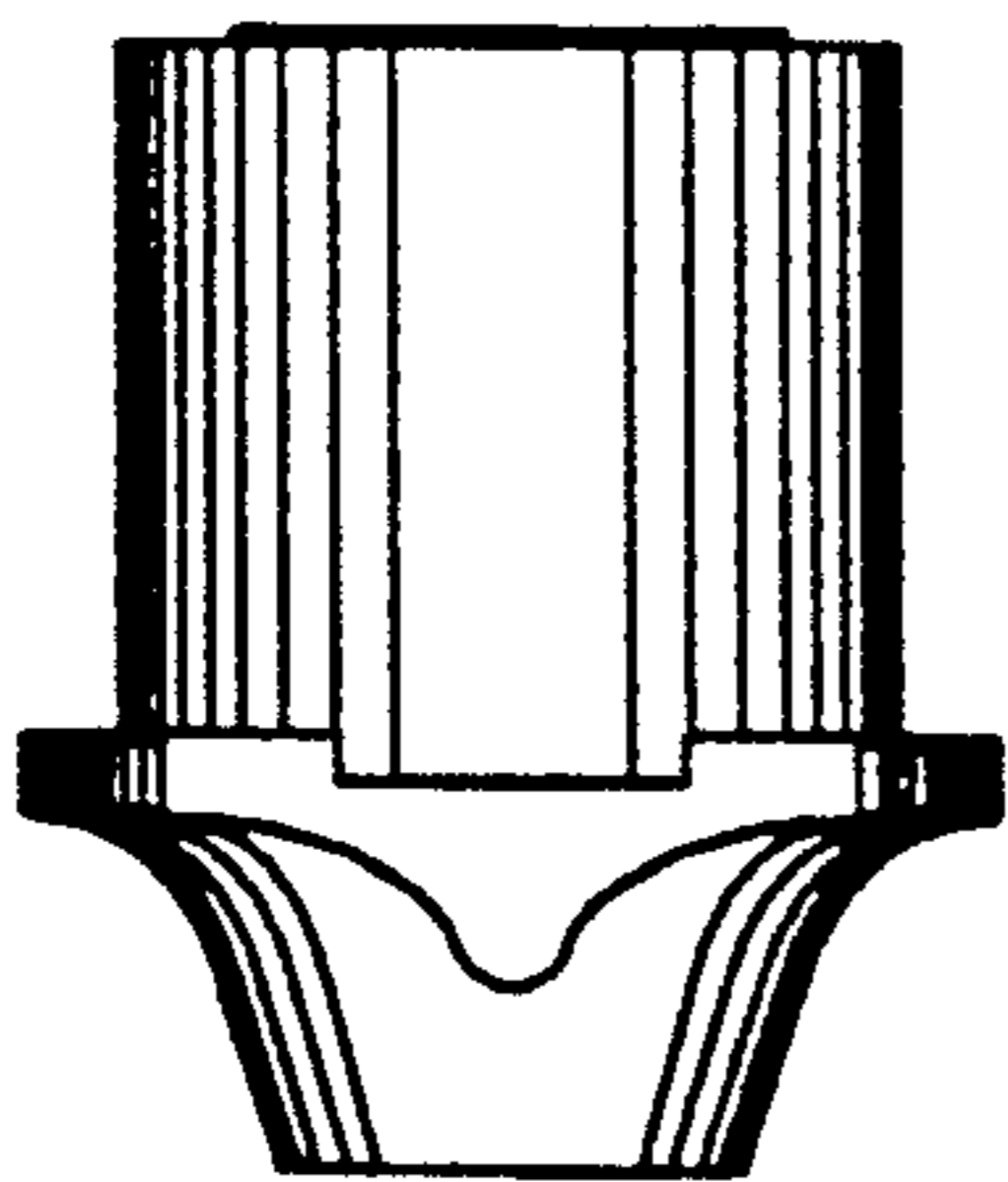
*Fig 1*



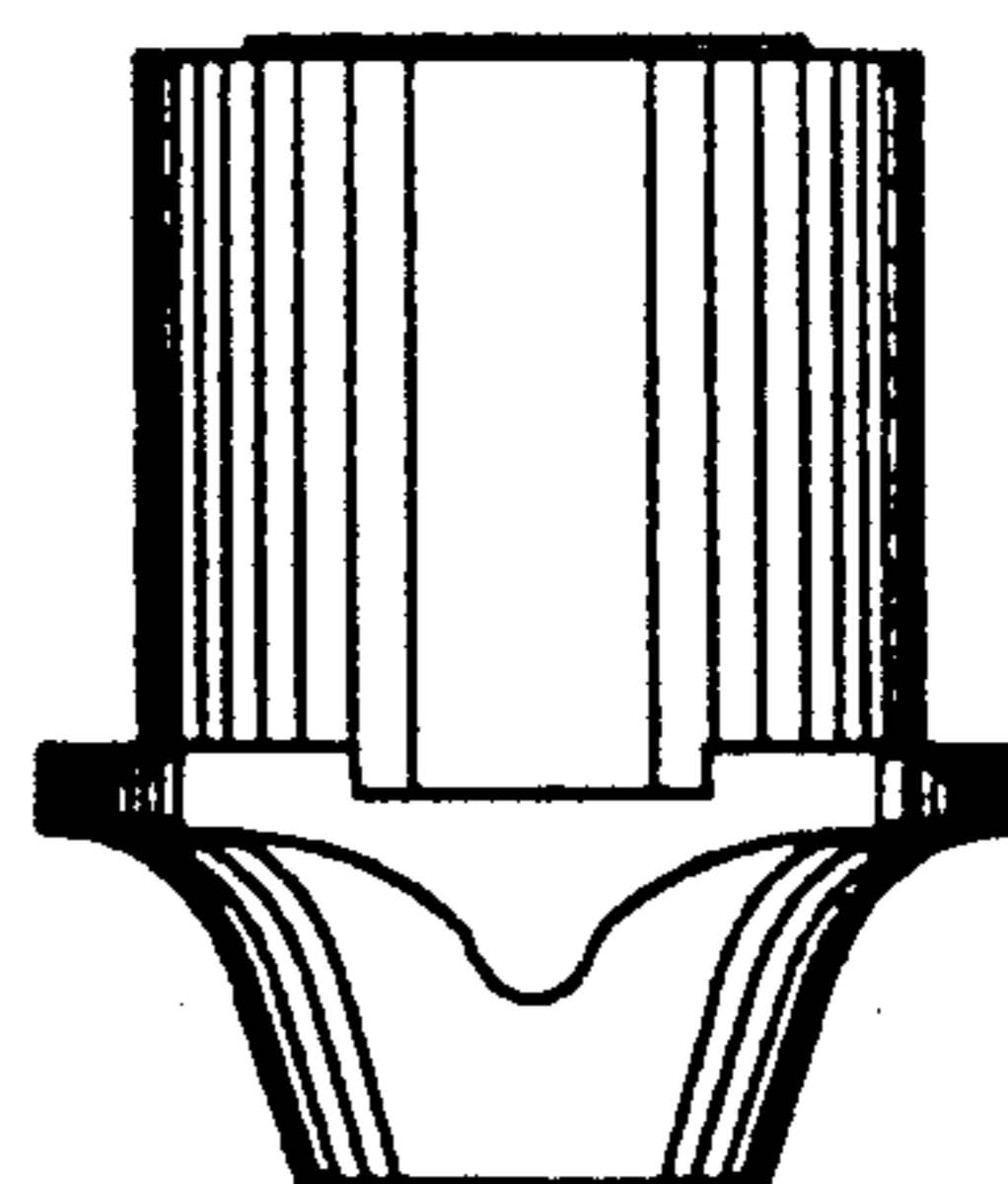
*Fig 2*



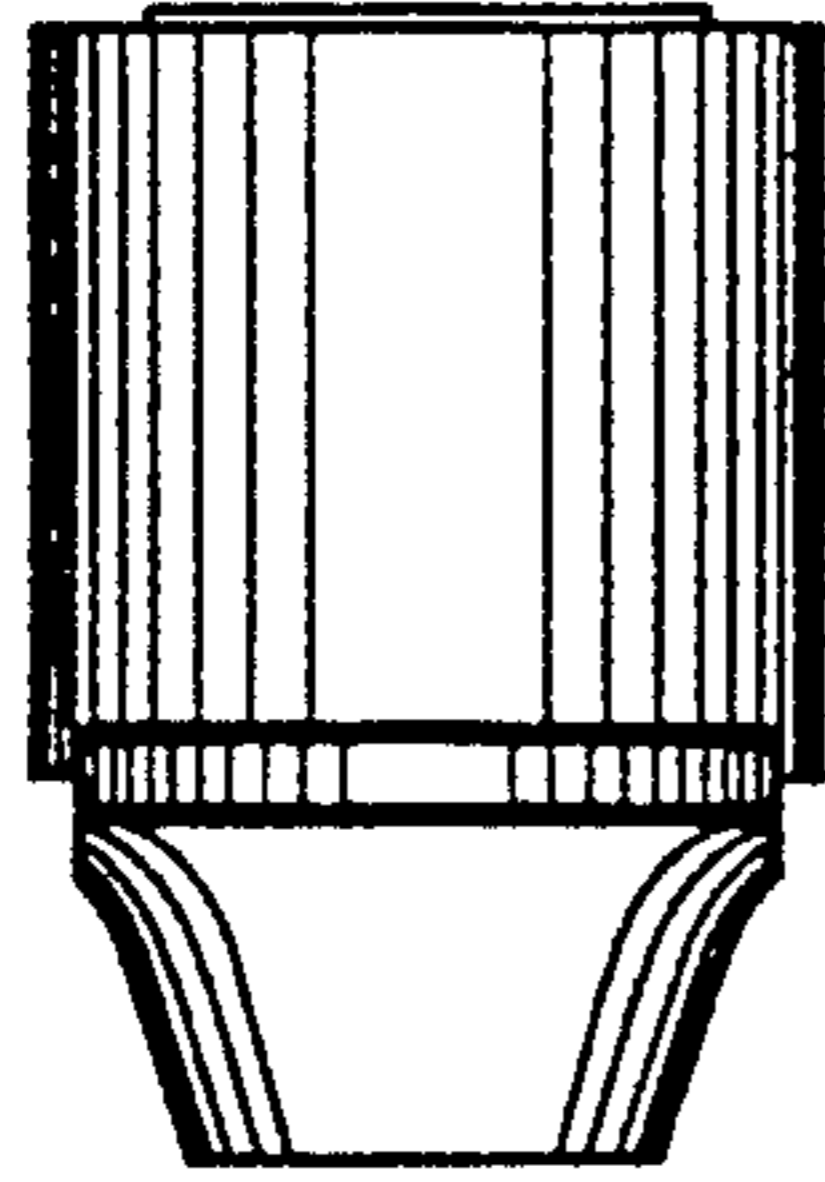
*Fig 3*



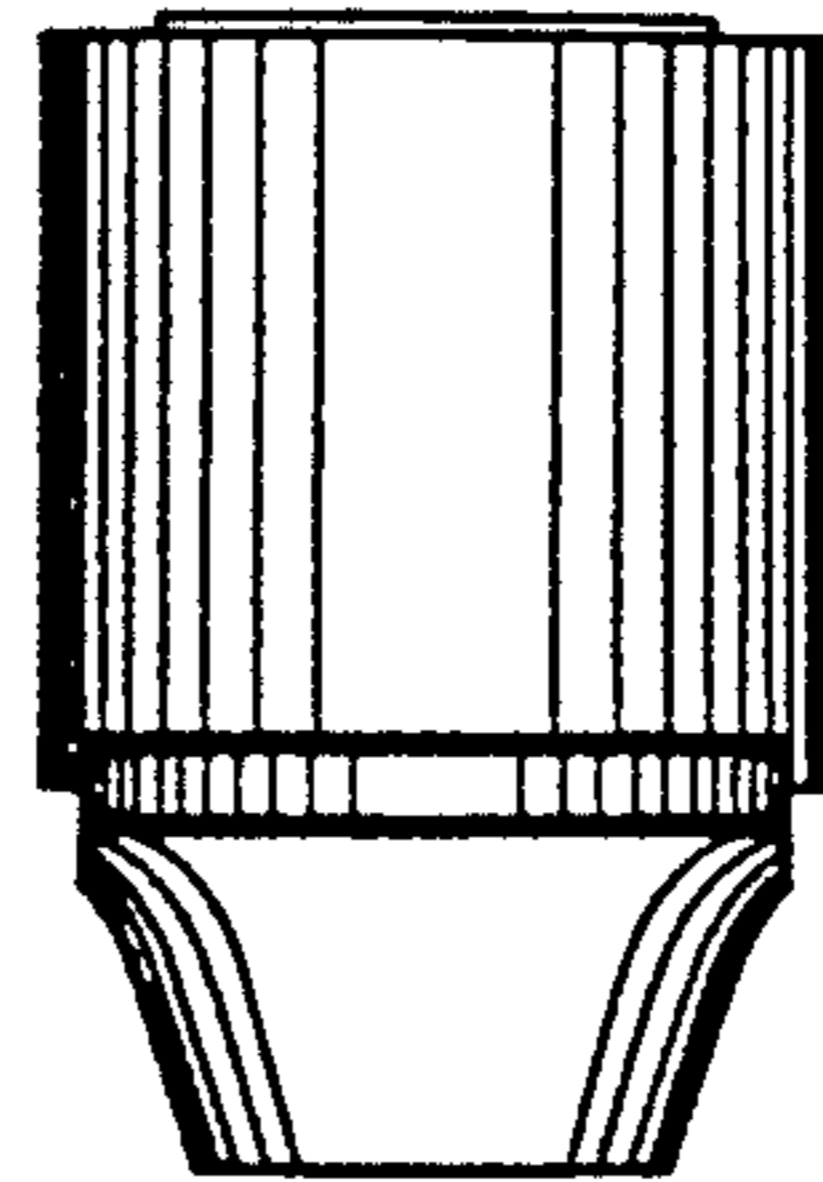
*Fig 4*



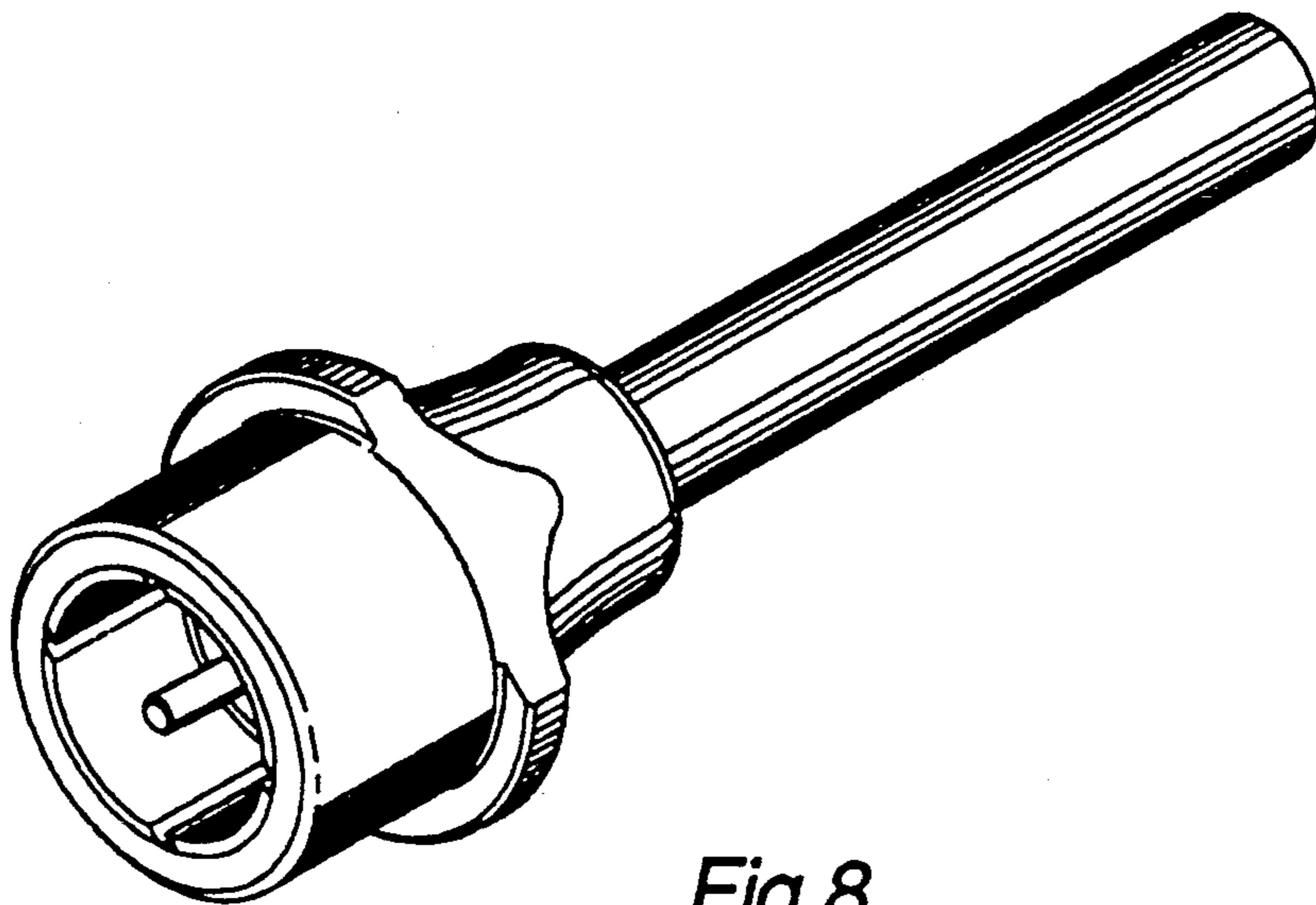
*Fig 5*



*Fig 6*



*Fig 7*



*Fig 8*