



US00D327869S

United States Patent [19]

Nagasaka et al.

[11] Patent Number: **Des. 327,869**

[45] Date of Patent: **** Jul. 14, 1992**

[54] **ELECTRICAL CONNECTOR HOUSING**

[75] Inventors: **Yasuhiro Nagasaka; Yasuo Hirayama; Ichiro Shibata**, all of Toyota; **Tadahiro Sueyoshi**, Shizuoka; **Masanori Tsuji**, Shizuoka; **Yoshihiro Murakami**, Shizuoka; **Takayuki Yamamoto**, Shizuoka; **Masaru Fukuda**, Shizuoka, all of Japan

[73] Assignee: **Yazaki Corporation**, Tokyo, Japan

[**] Term: **14 Years**

[21] Appl. No.: **374,861**

[22] Filed: **Jul. 3, 1989**

[30] **Foreign Application Priority Data**

Jan. 6, 1989 [JP] Japan 64-000059

[52] U.S. Cl. **D13/133**

[58] Field of Search D13/146, 147; 439/147, 439/246, 247, 282, 292, 293, 345, 350, 352, 353, 357, 358, 577, 586, 587, 595, 598, 600, 680, 686, 695, 701, 724

[56] **References Cited**

U.S. PATENT DOCUMENTS

D. 252,082 6/1979 Voelkert D13/146

D. 308,511 6/1990 Makita et al. D13/146
D. 310,994 10/1990 Yagi et al. D13/146
D. 311,518 10/1990 Kuzuno et al. D13/146
4,772,229 9/1988 Nix et al. 439/752 X
4,867,699 9/1989 Oda et al. 439/350 X

OTHER PUBLICATIONS

Connectors pictured on p. 348 of article entitled Versatility in a Sealed Connector.

Primary Examiner—Susan J. Lucas

Assistant Examiner—Joel Sincavage

Attorney, Agent, or Firm—Armstrong & Kubovcik

[57] **CLAIM**

The ornamental design for an electrical connector housing, as shown and described.

DESCRIPTION

FIG. 1 is a top plan view of an electrical connector housing showing our new design; FIG. 2 is a front elevational view thereof; FIG. 3 is a bottom plan view thereof; FIG. 4 is a rear elevational view thereof; FIG. 5 is a right side elevational view thereof, the left side elevational view thereof being a mirror image; FIG. 6 is a cross-sectional view thereof, taken along line 6—6 of FIG. 2; and, FIG. 7 is a perspective view thereof, taken from the rear and upper left.

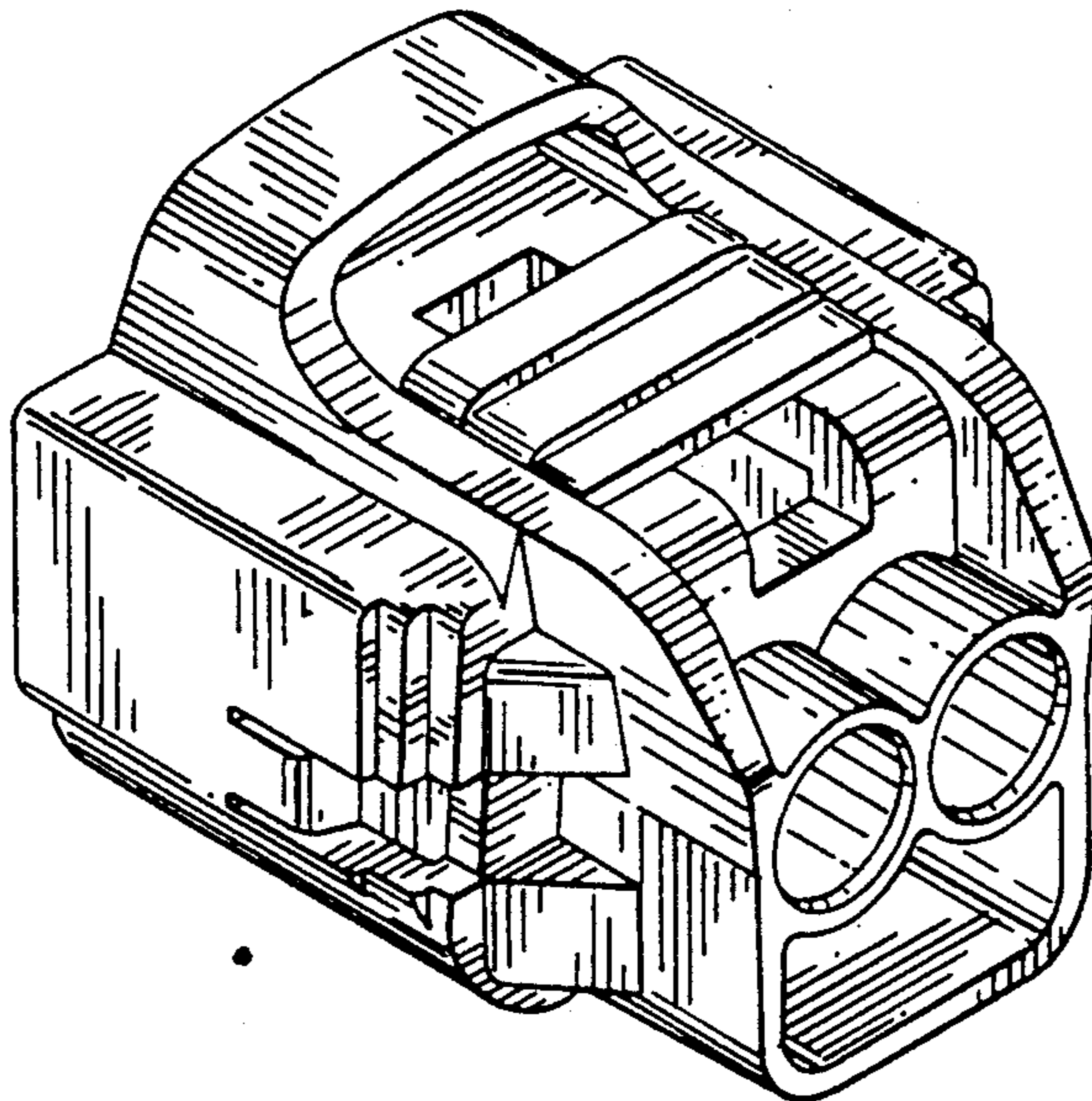


FIG. 1

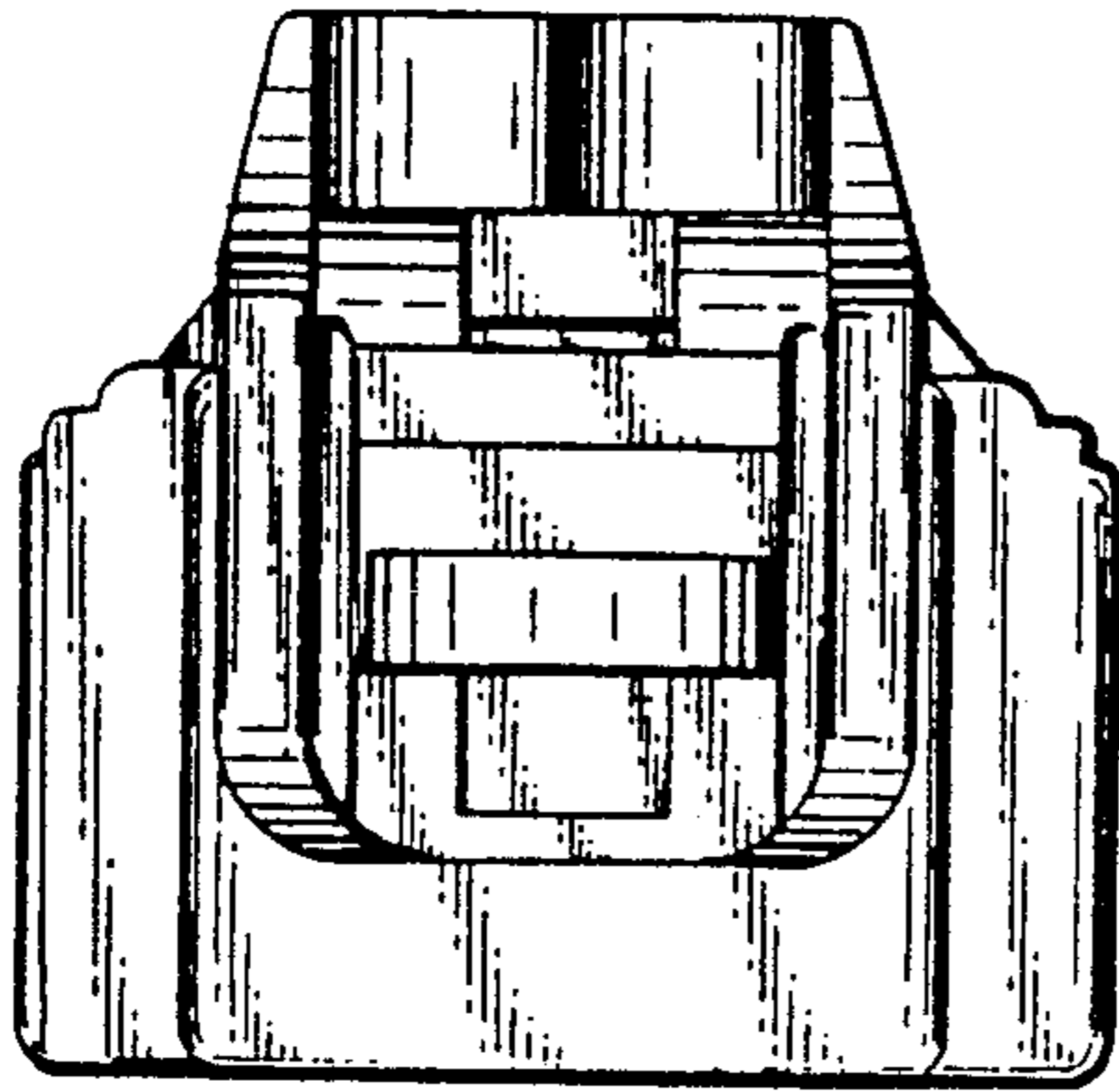


FIG. 3

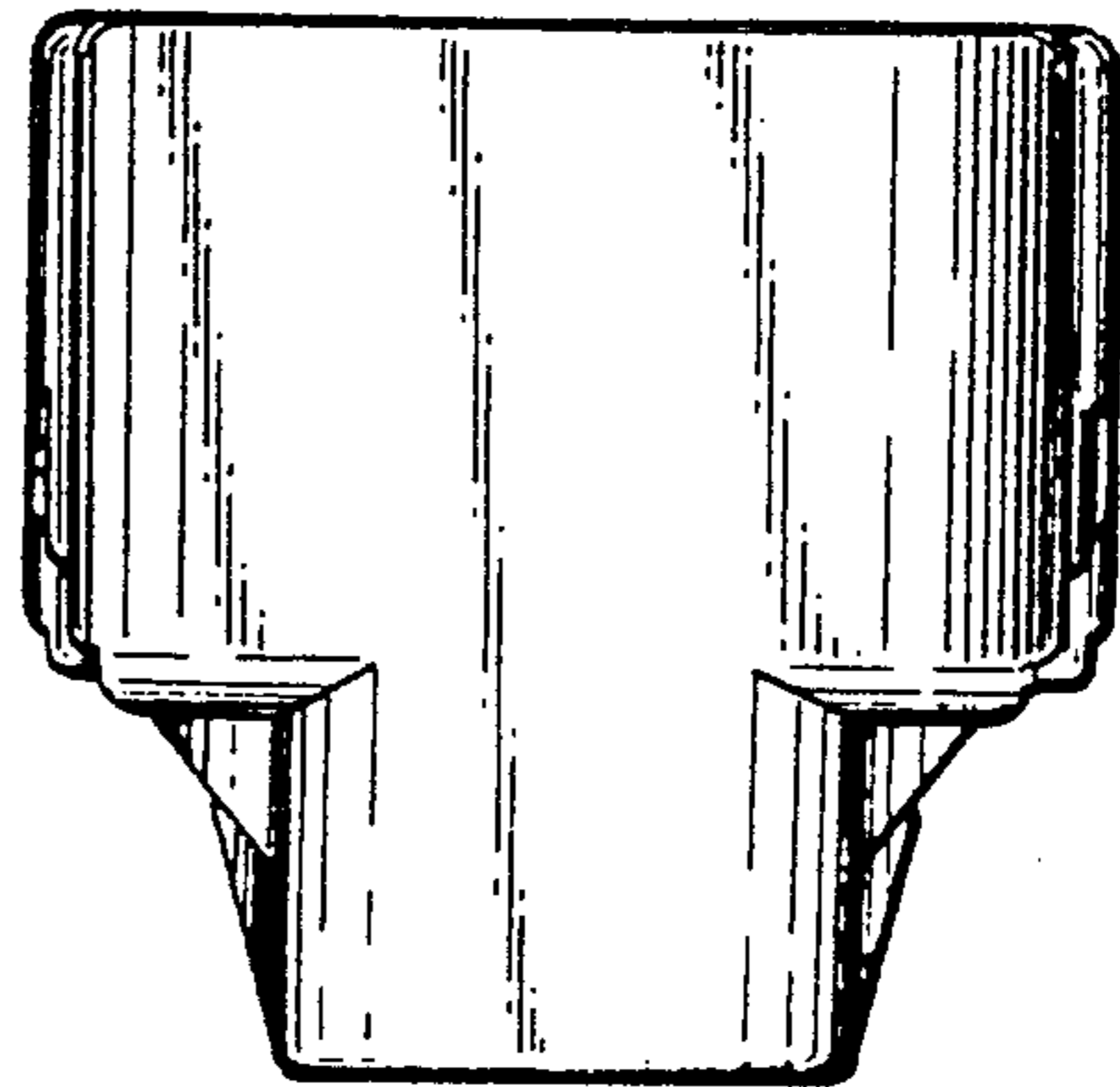


FIG. 2

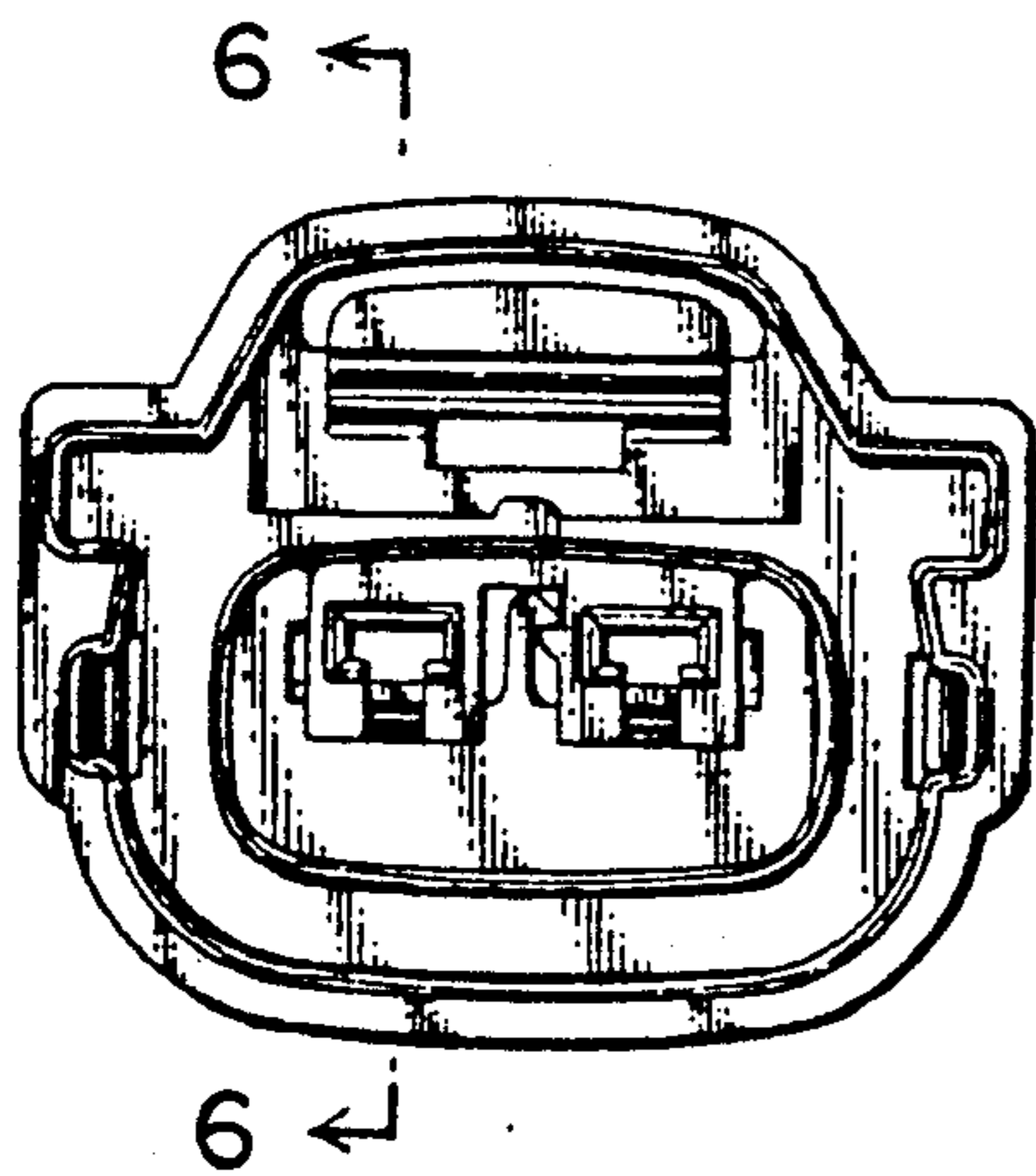


FIG. 4

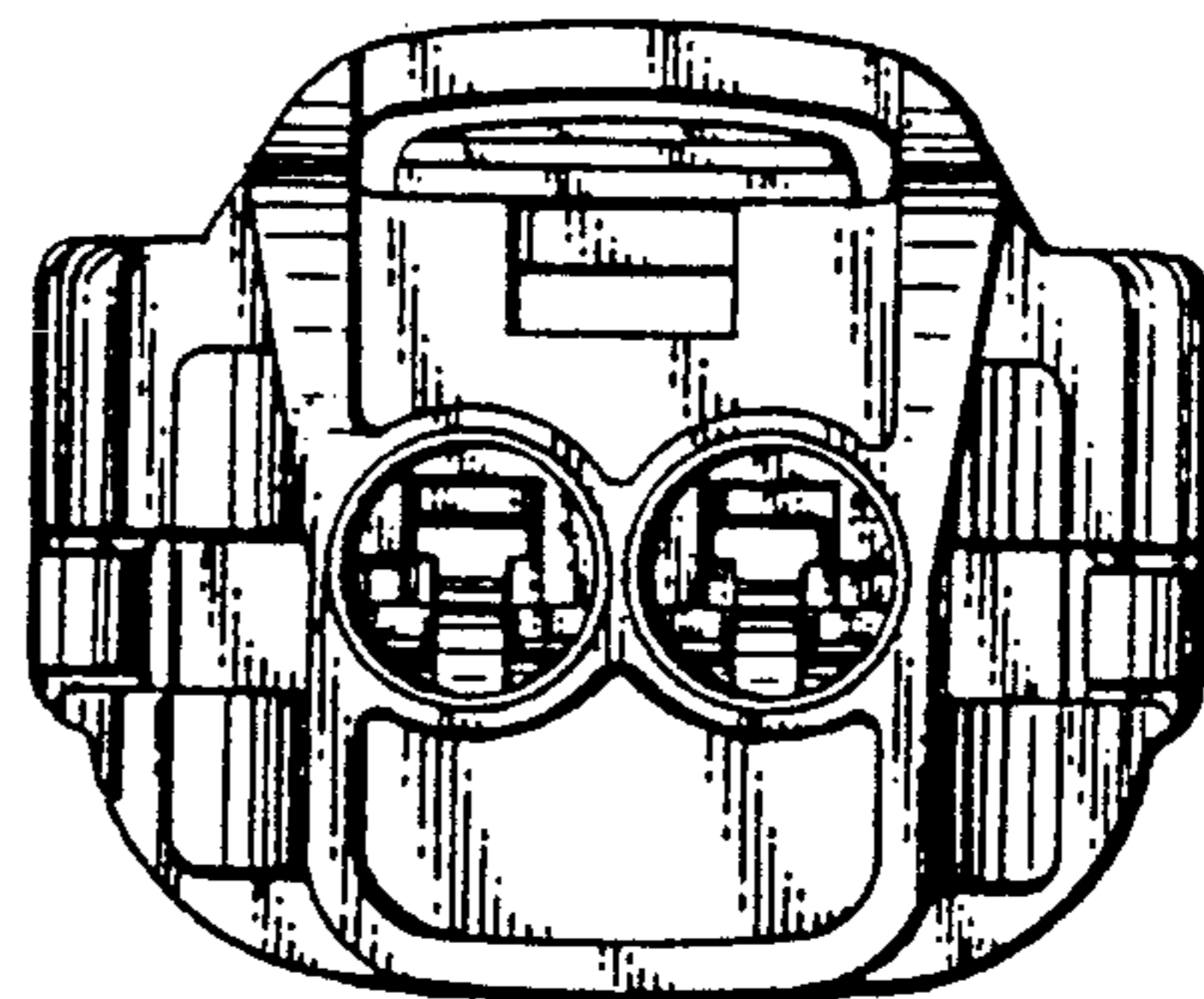


FIG. 5

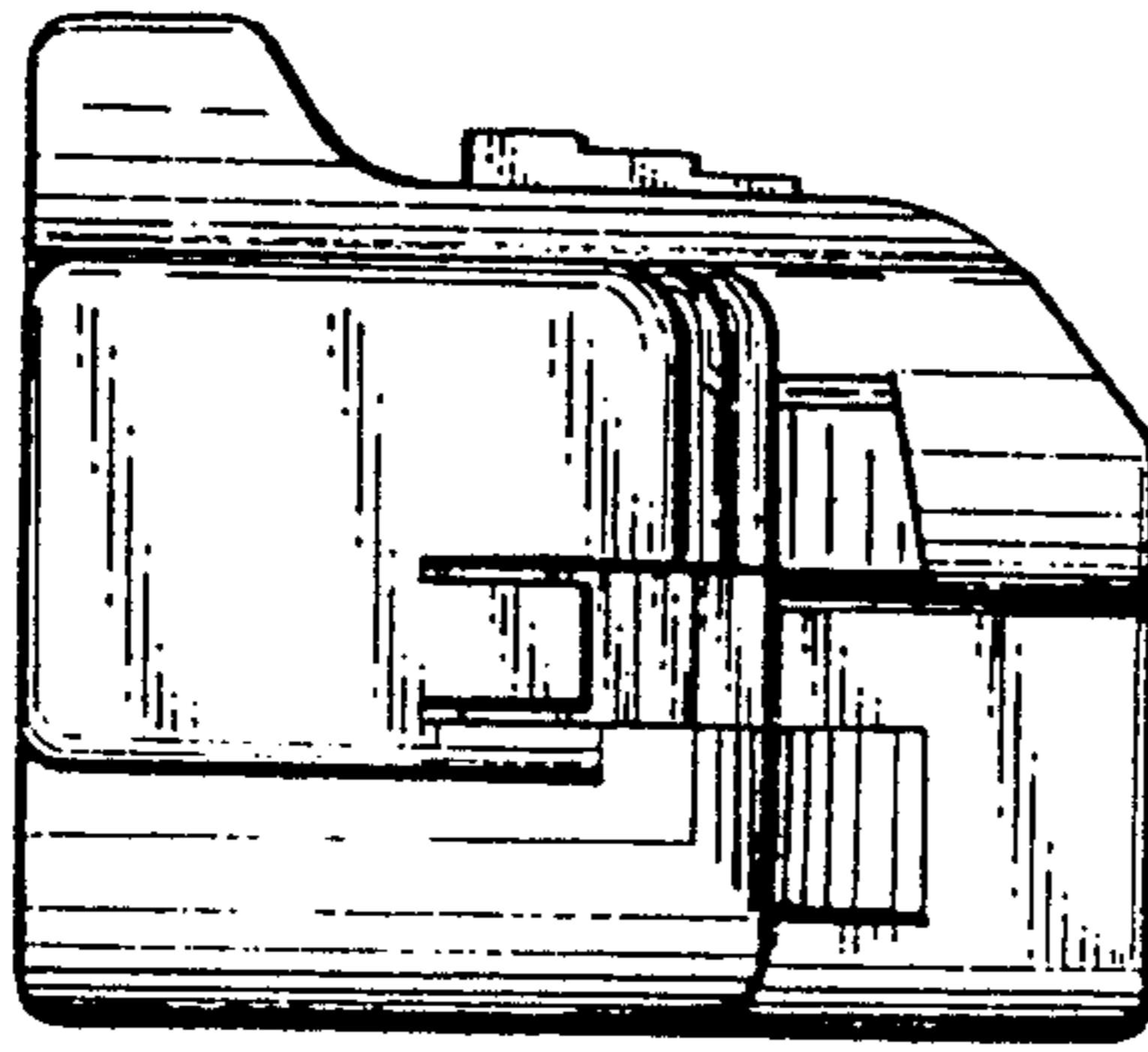
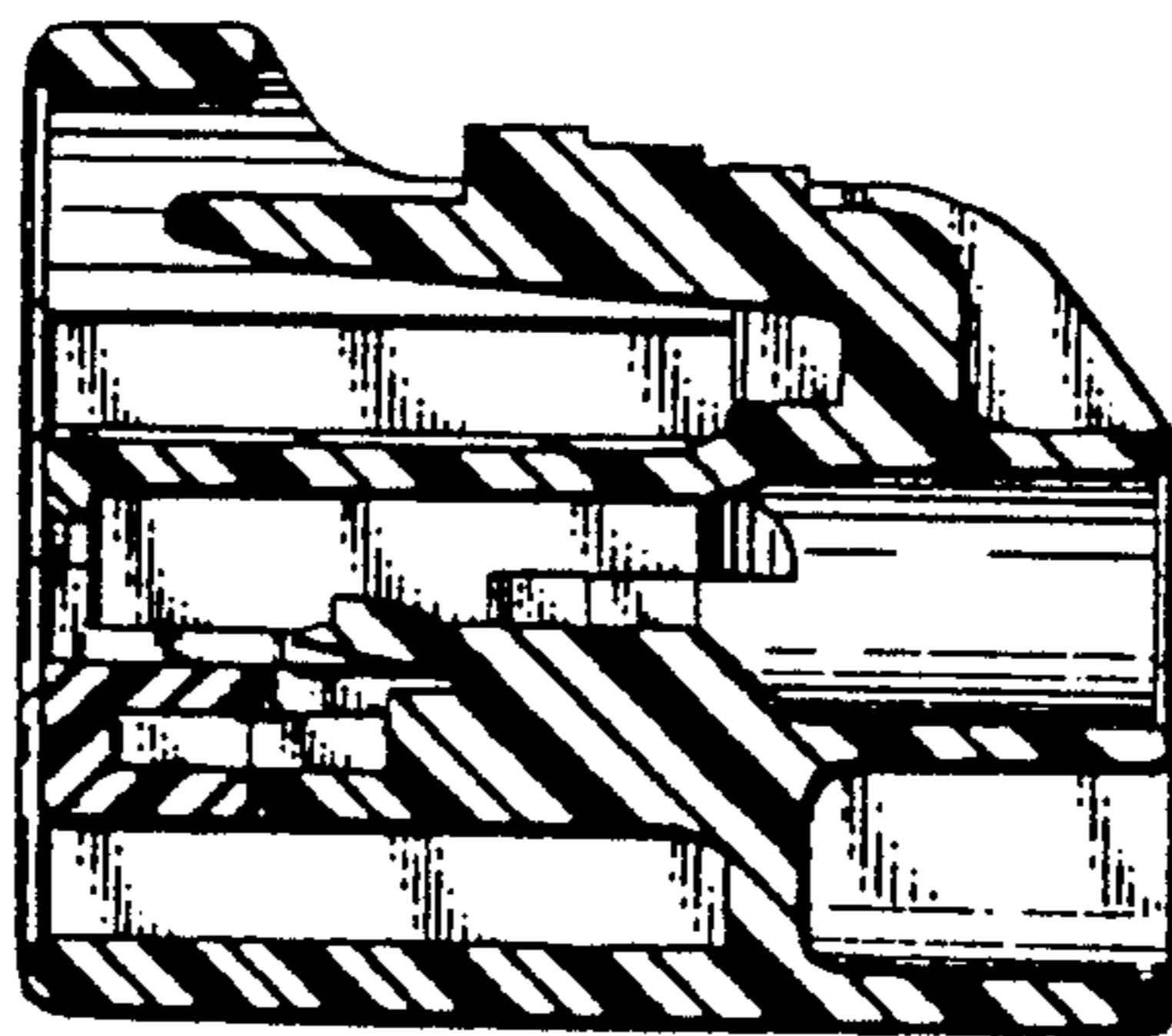


FIG. 6



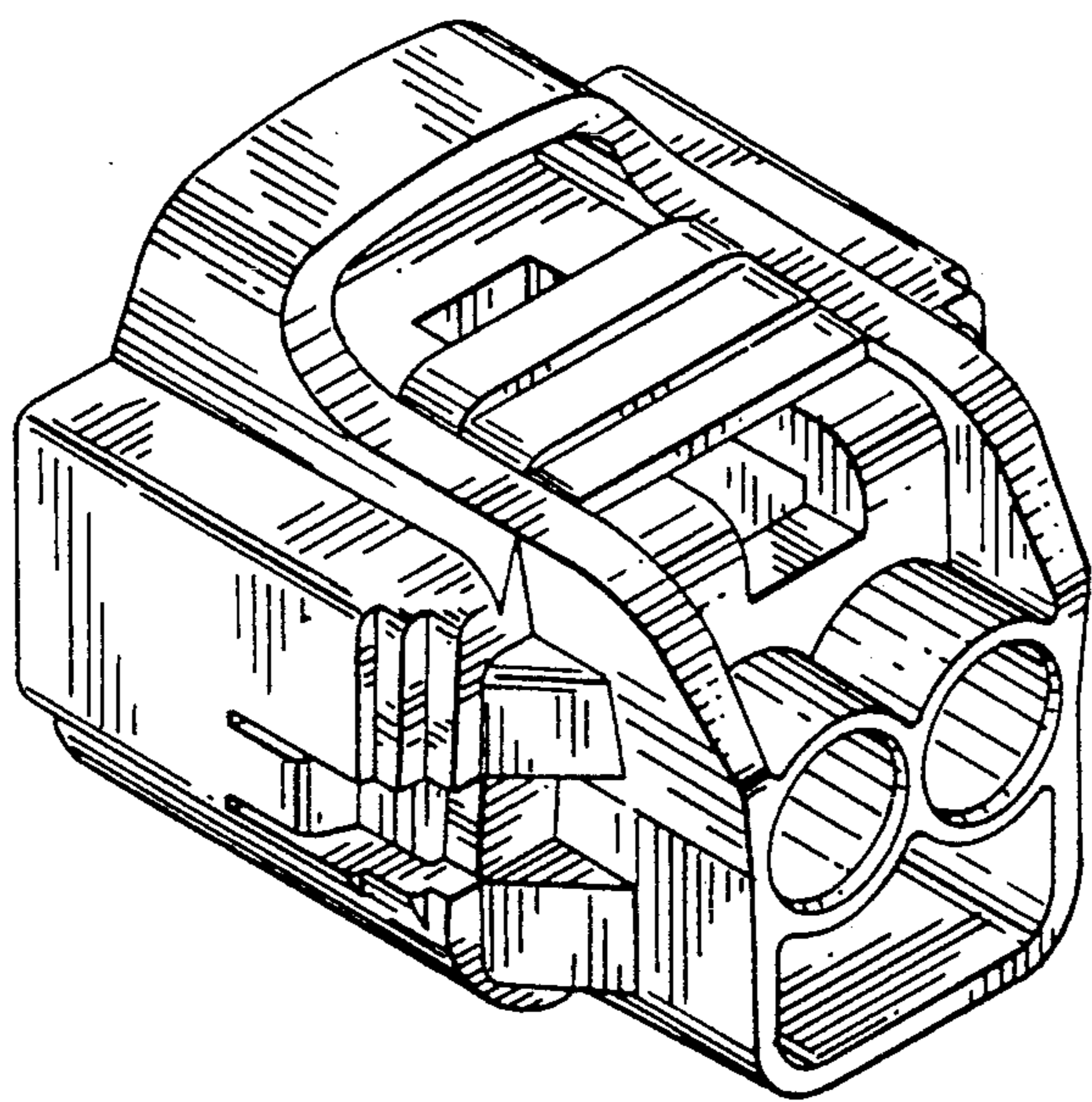


FIG. 7