



US00D327868S

United States Patent [19]

[11] Patent Number: Des. 327,868

Oka

[45] Date of Patent: ** Jul. 14, 1992

[54] COMBINED CAR-MOUNT UNIT AND POWER SUPPLY ADAPTER FOR A DIGITAL AUDIO TAPE RECORDER

D. 307,016 4/1990 Watanabe D13/108 X
D. 310,367 9/1990 Dockery D14/217
4,985,806 1/1991 Mazzullo et al. 307/150

[75] Inventor: Satoshi Oka, Osaka, Japan

Primary Examiner—Susan J. Lucas
Assistant Examiner—Joel Sincavage
Attorney, Agent, or Firm—Nixon & Vanderhye

[73] Assignee: Sharp Kabushiki Kaisha, Japan

[**] Term: 14 Years

[57] CLAIM

[21] Appl. No.: 645,893

The ornamental design for a combined car-mount unit and power supply adapter for a digital audio tape recorder, as shown and described.

[22] Filed: Jan. 25, 1991

DESCRIPTION

[30] Foreign Application Priority Data

Jul. 26, 1990 [JP] Japan 2-25694

[52] U.S. Cl. D13/110; D14/217

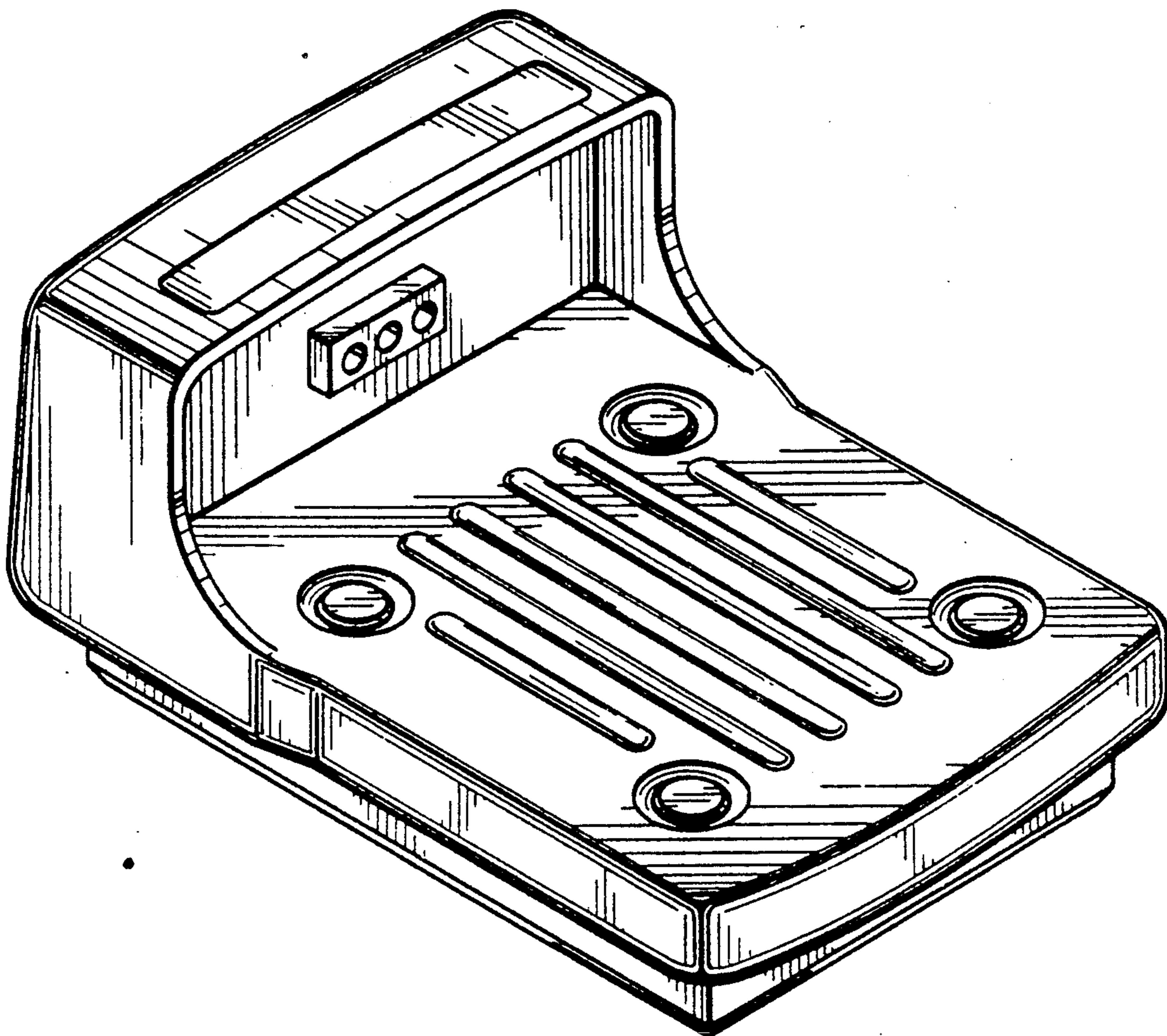
[58] Field of Search D13/103, 110; D14/157, D14/217, 258; 307/150, 151

FIG. 1 is a front and upper left perspective view of a combined car-mount unit and power supply adapter for a digital audio tape recorder showing my new design; FIG. 2 is a top plan view thereof; FIG. 3 is a front elevational view thereof; FIG. 4 is a side elevational view thereof, with the opposite side being its mirror-image; FIG. 5 is a rear elevational view; and, FIG. 6 is a bottom plan view.

[56] References Cited

U.S. PATENT DOCUMENTS

D. 285,439 9/1986 Nagele D14/217



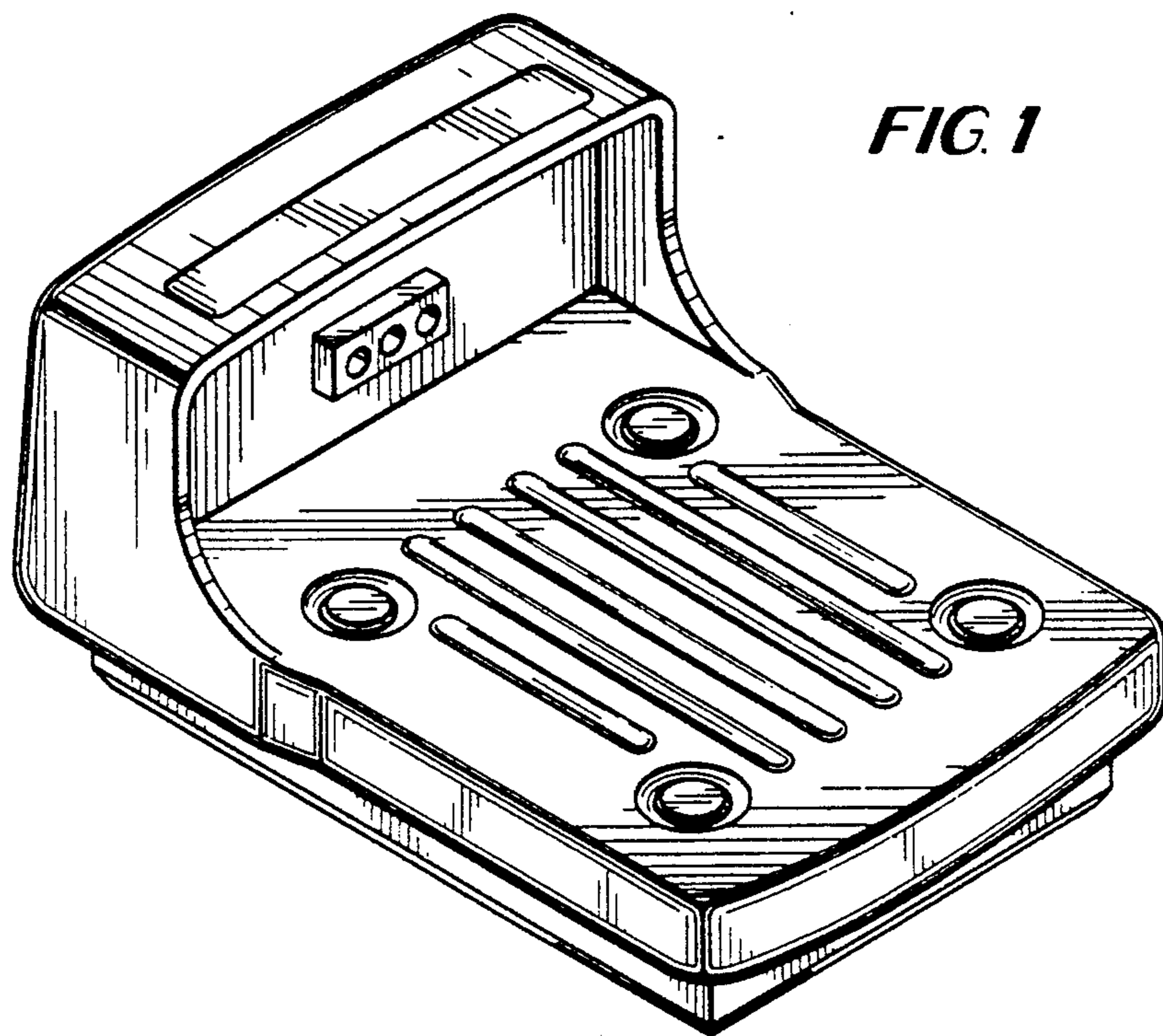


FIG. 1

FIG. 3

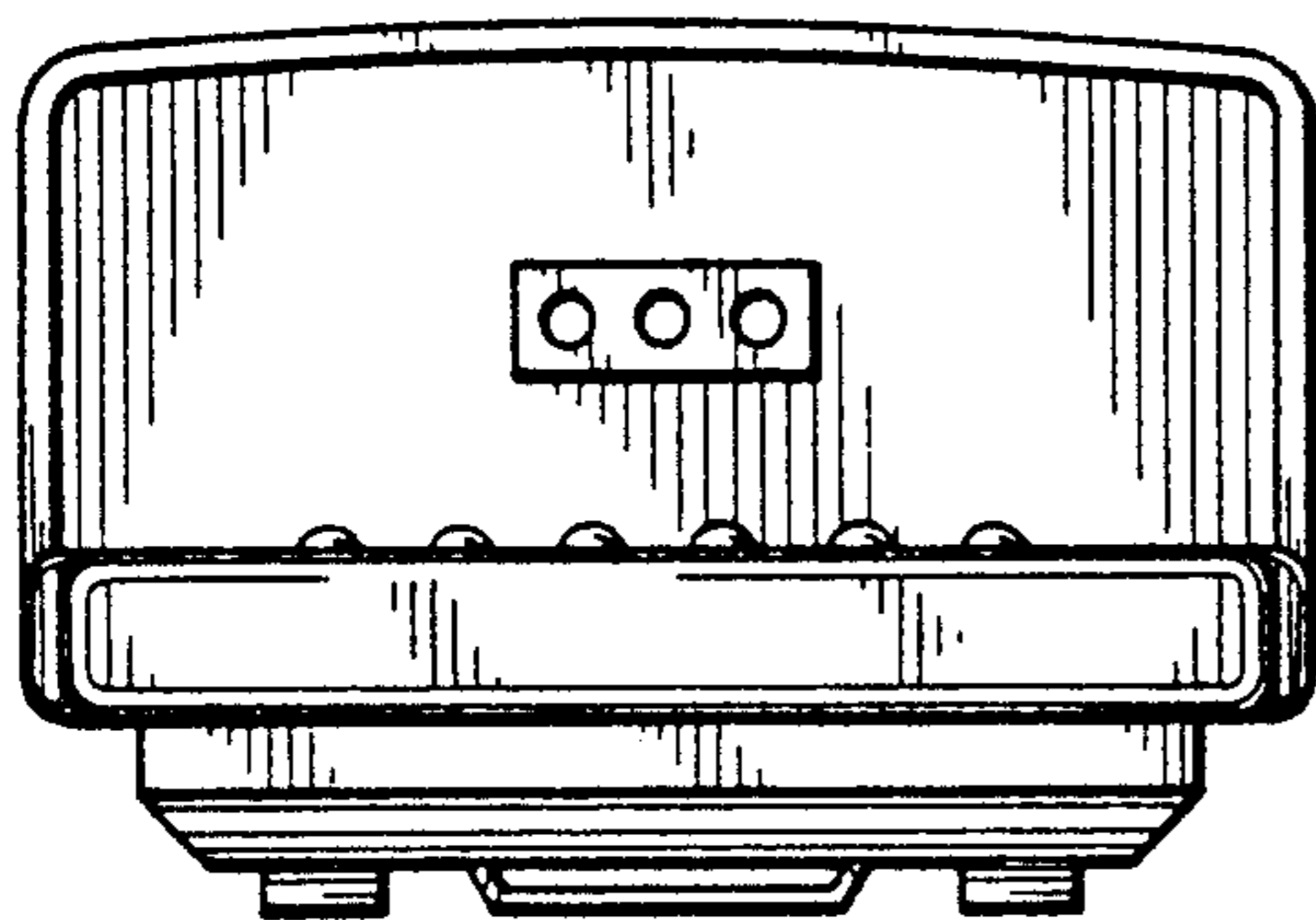


FIG. 5

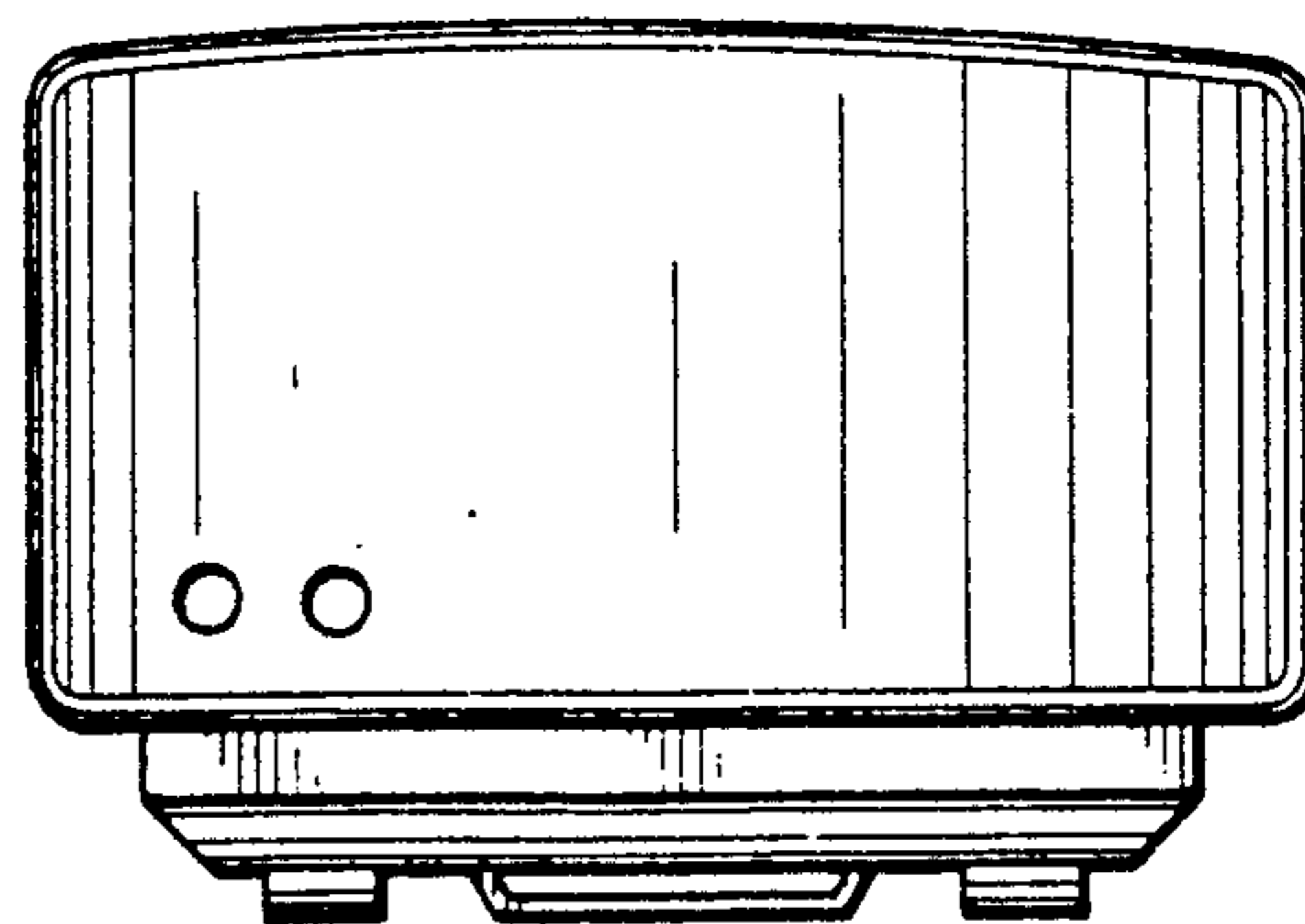


FIG. 2

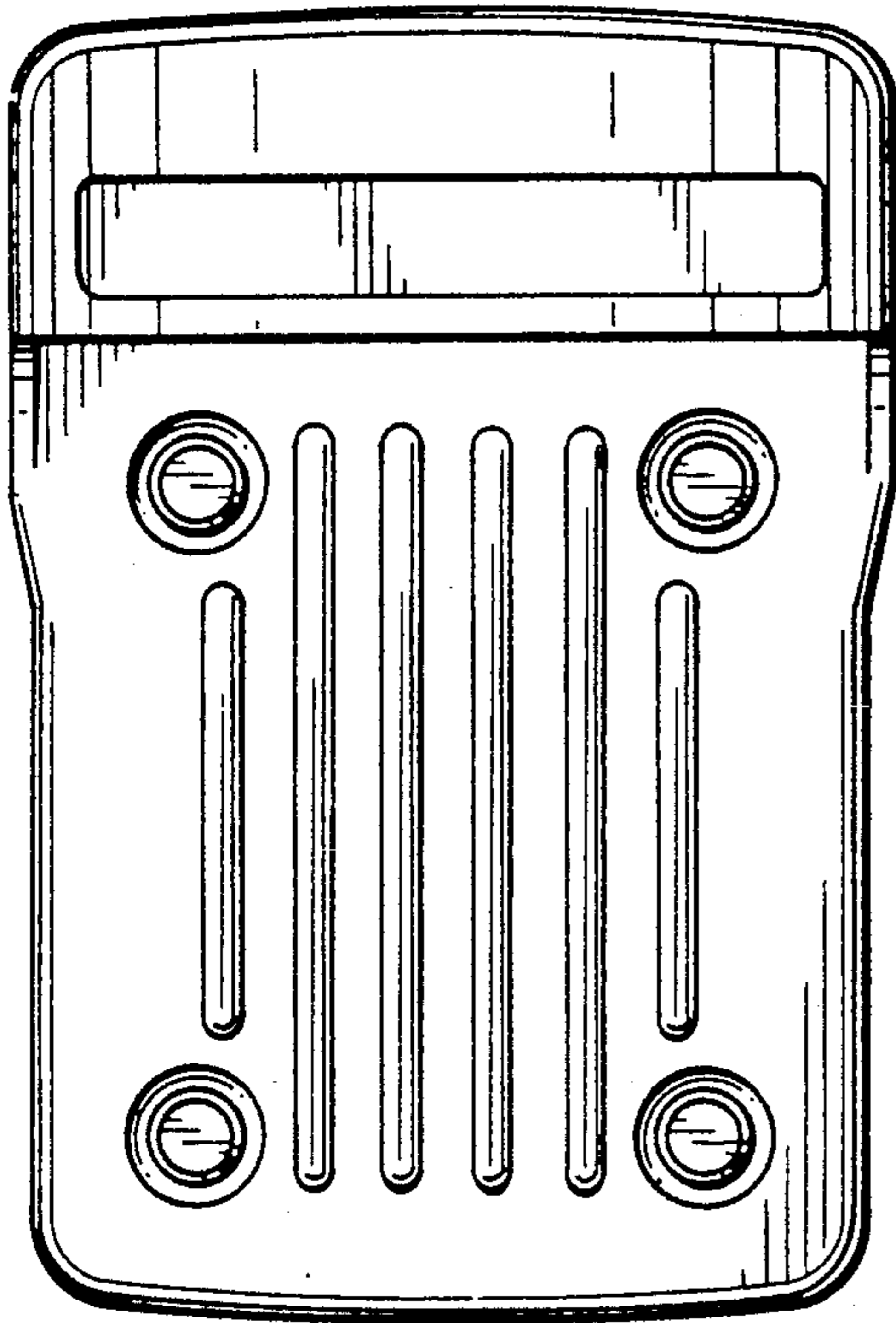


FIG. 6

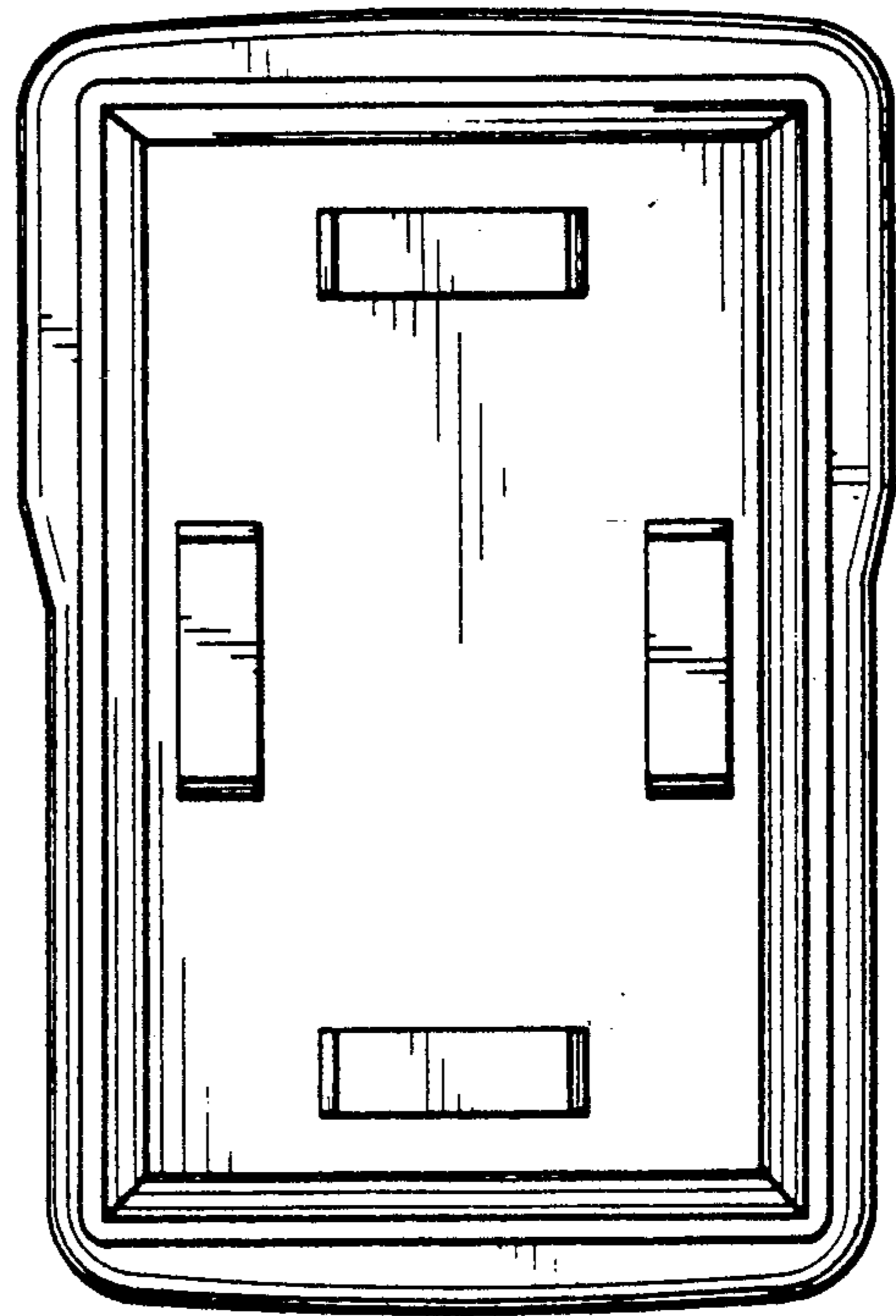


FIG. 4

