



US00D327855S

United States Patent [19]

[11] Patent Number: **Des. 327,855**

Cerasani

[45] Date of Patent: **** Jul. 14, 1992**

- [54] **VACUUM MANIFOLD LID FOR EXTRACTION PROCESSING**
- [75] Inventor: **James D. Cerasani, Kenosha, Wis.**
- [73] Assignee: **Lida Corporation, Kenosha, Wis.**
- [**] Term: **14 Years**
- [21] Appl. No.: **111,703**
- [22] Filed: **Oct. 23, 1987**
- [52] U.S. Cl. **D10/81; D24/222**
- [58] Field of Search **D24/8, 1.1, 29, 32; 422/100, 101, 103, 59, 58, 70, 69; 436/157-159, 161, 178, 175, 181, 177; 73/864.02; 251/84, 88; 141/8, 65, 242, 243; D10/81, 46, 76, 103; 210/198.3**

- [56] **References Cited**
- U.S. PATENT DOCUMENTS**
- D. 289,861 5/1987 Wachor et al. D10/81
- 4,810,471 3/1989 Wachob et al. 422/103
- 4,859,419 8/1989 Marks et al. 422/103 X

Primary Examiner—Stella Reid
Attorney, Agent, or Firm—Dressler, Goldsmith, Shore, Sutker & Milnamow, Ltd.

[57] **CLAIM**
 The ornamental design for a vacuum manifold lid for extraction processing, as shown and described.

DESCRIPTION

FIG. 1 is a perspective view of a vacuum manifold lid for extraction processing showing my new design;
 FIG. 2 is a top plan view thereof;
 FIG. 3 is a bottom plan view thereof;
 FIG. 4 is a side elevational view thereof, the opposite side being a mirror image;
 FIG. 5 is an end elevational view thereof, the opposite end being a mirror image;
 FIG. 6 is a perspective view of a second embodiment of the vacuum manifold lid for extraction processing;
 FIG. 7 is a top plan view thereof;
 FIG. 8 is a bottom plan view thereof;
 FIG. 9 is a side elevational view thereof, the opposite side being a mirror image;
 FIG. 10 is an end elevational view thereof, the opposite end being a mirror image;
 FIG. 11 is a perspective view of a third embodiment of the vacuum manifold lid for extraction processing;
 FIG. 12 is a top plan view thereof;
 FIG. 13 is a bottom plan view thereof;
 FIG. 14 is a side elevational view thereof;
 FIG. 15 is an end elevational view thereof;
 FIG. 16 is a side elevational view thereof, opposite that shown in FIG. 14; and,
 FIG. 17 is an end elevational view thereof, opposite that shown in FIG. 15.
 The broken line showing in FIGS. 1, 6 and 11 is for illustrative purposes only and forms no part of the claimed design.

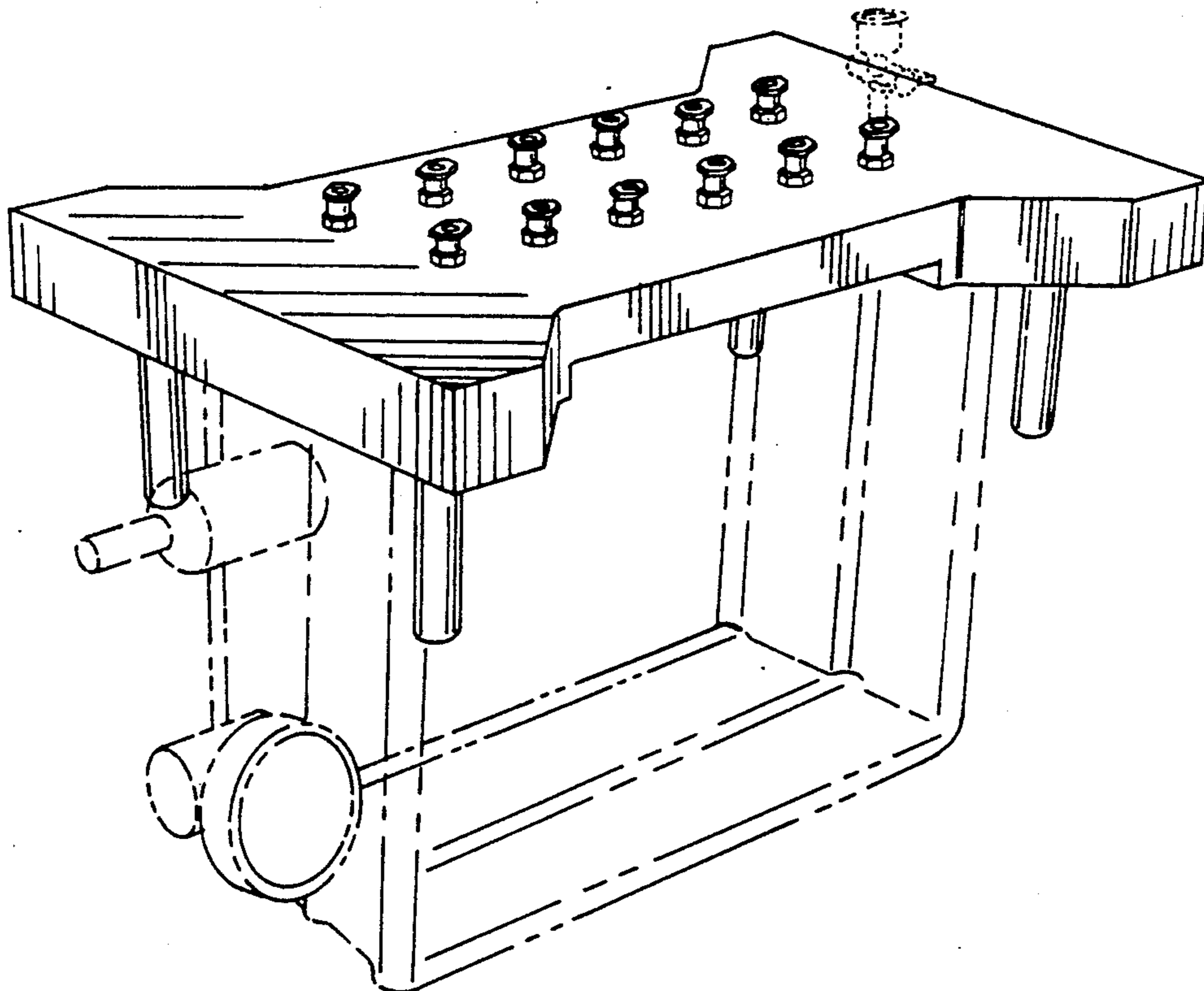


FIG. 1

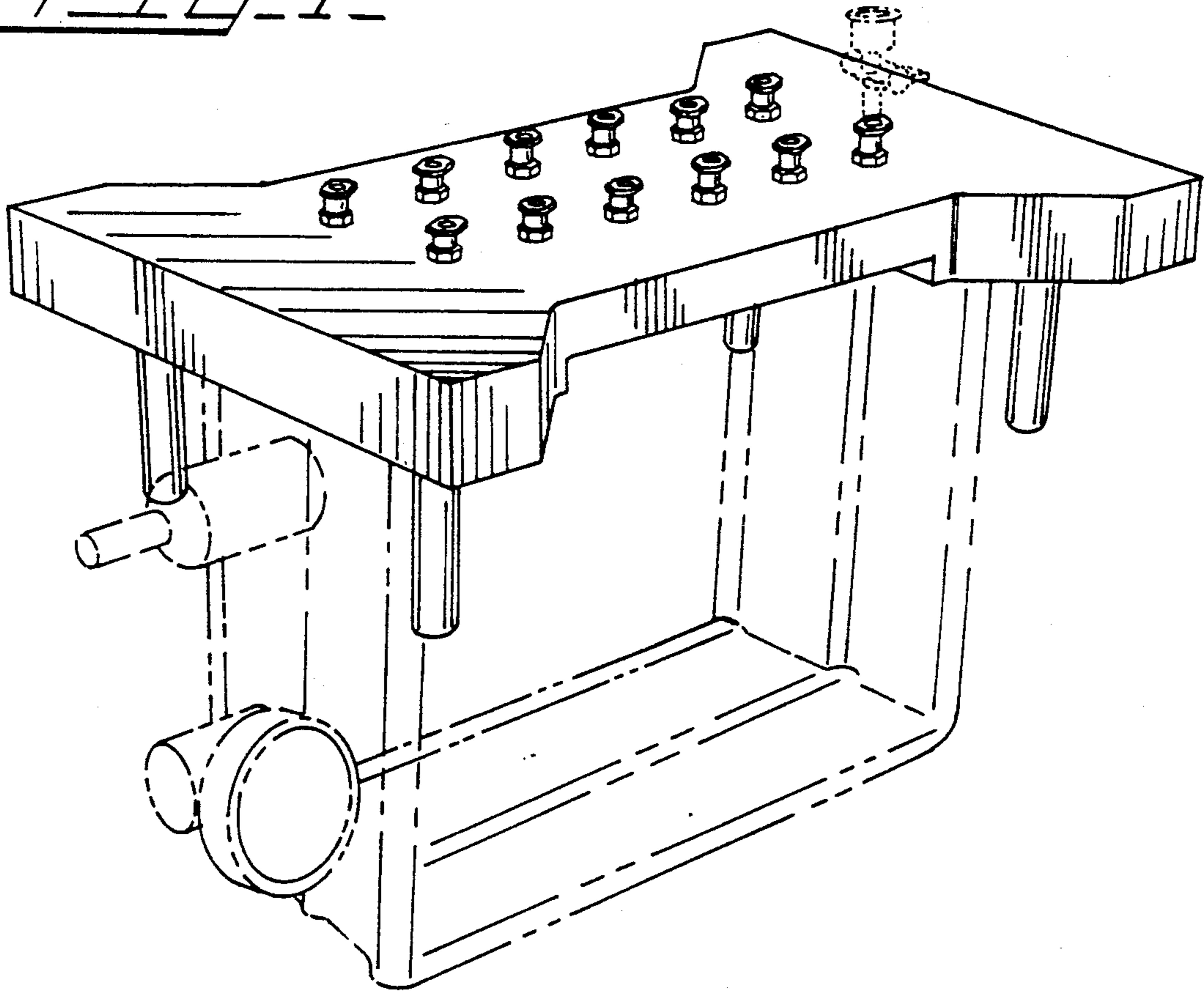


FIG. 2

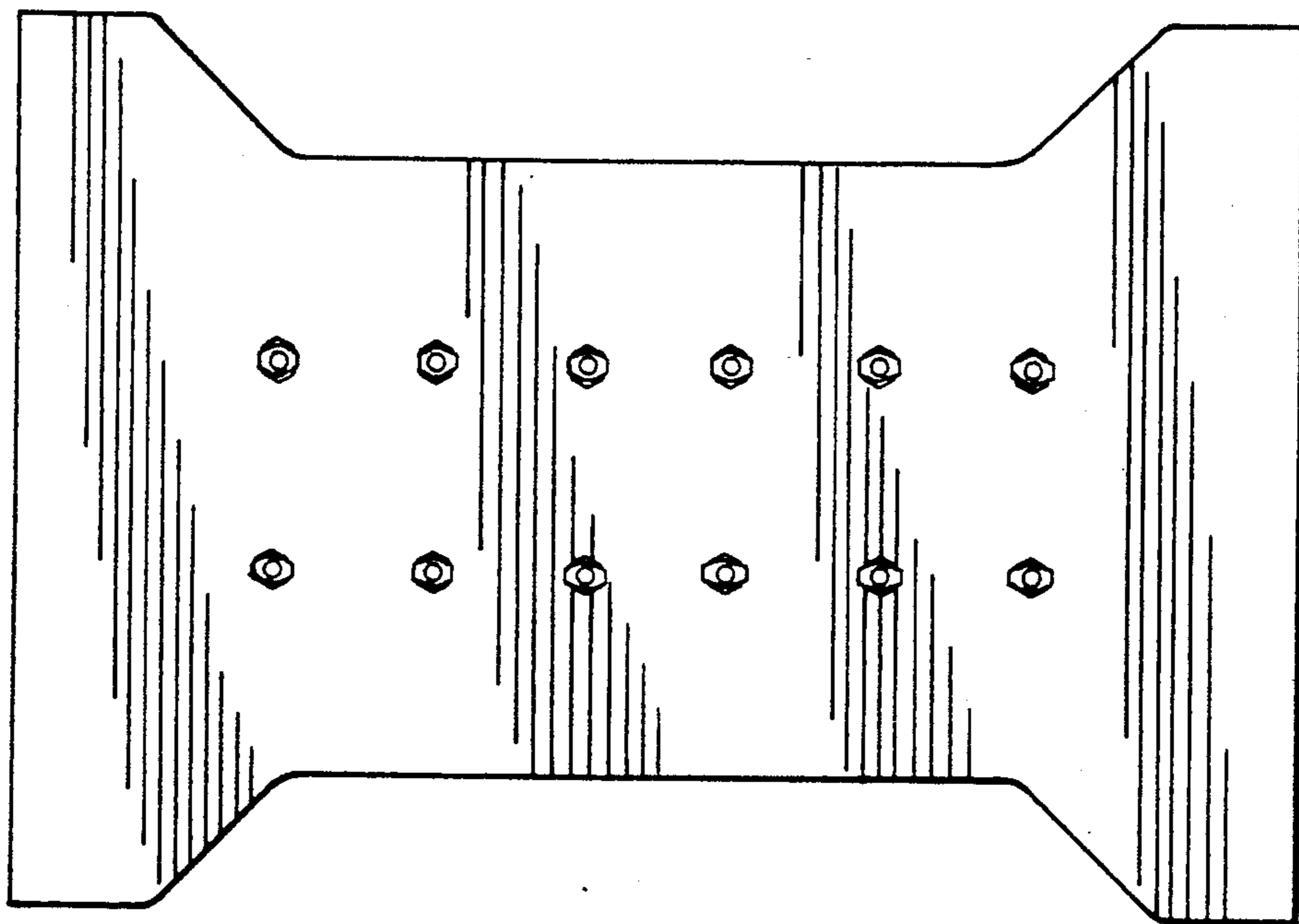


FIG. 3

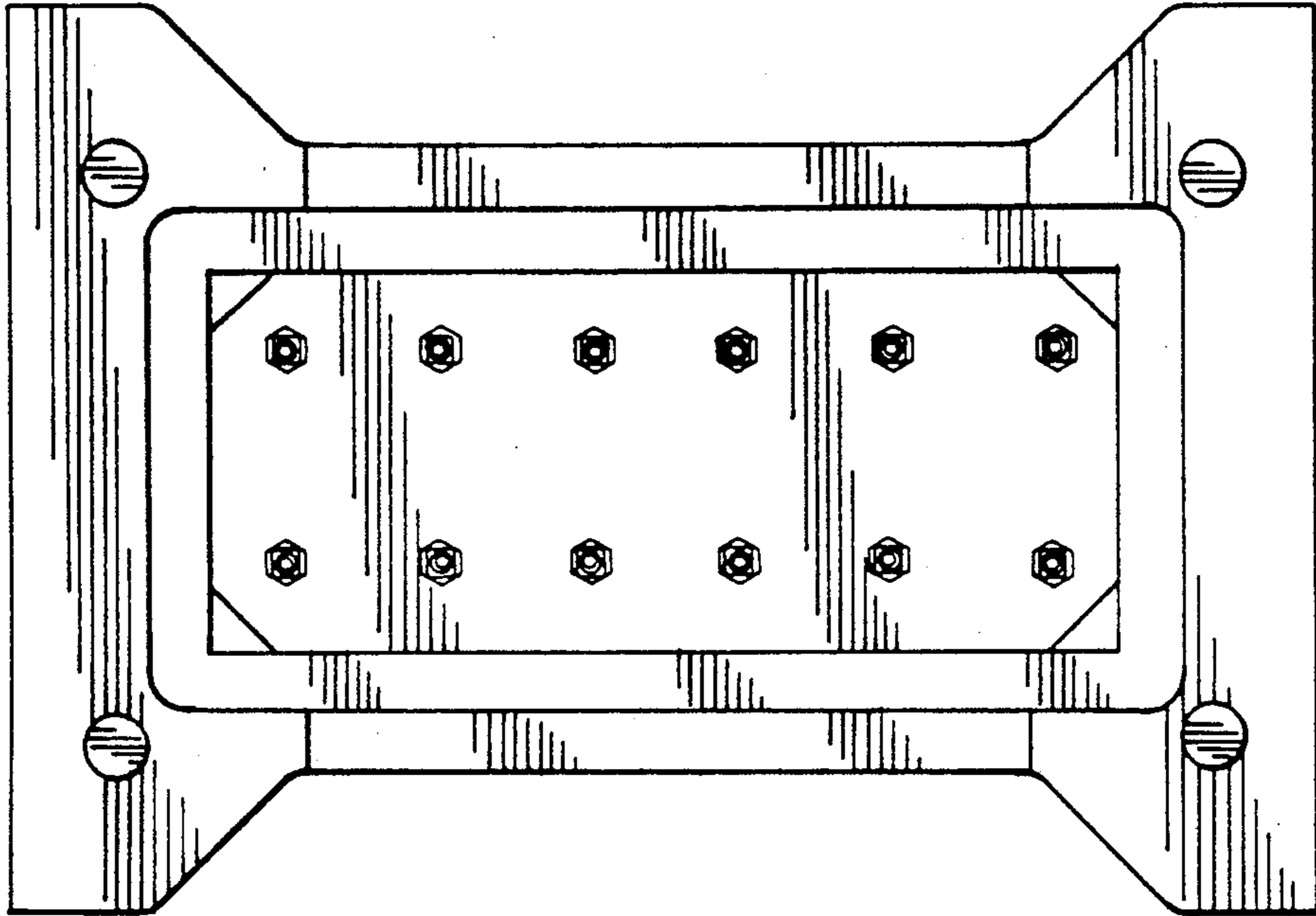


FIG. 4

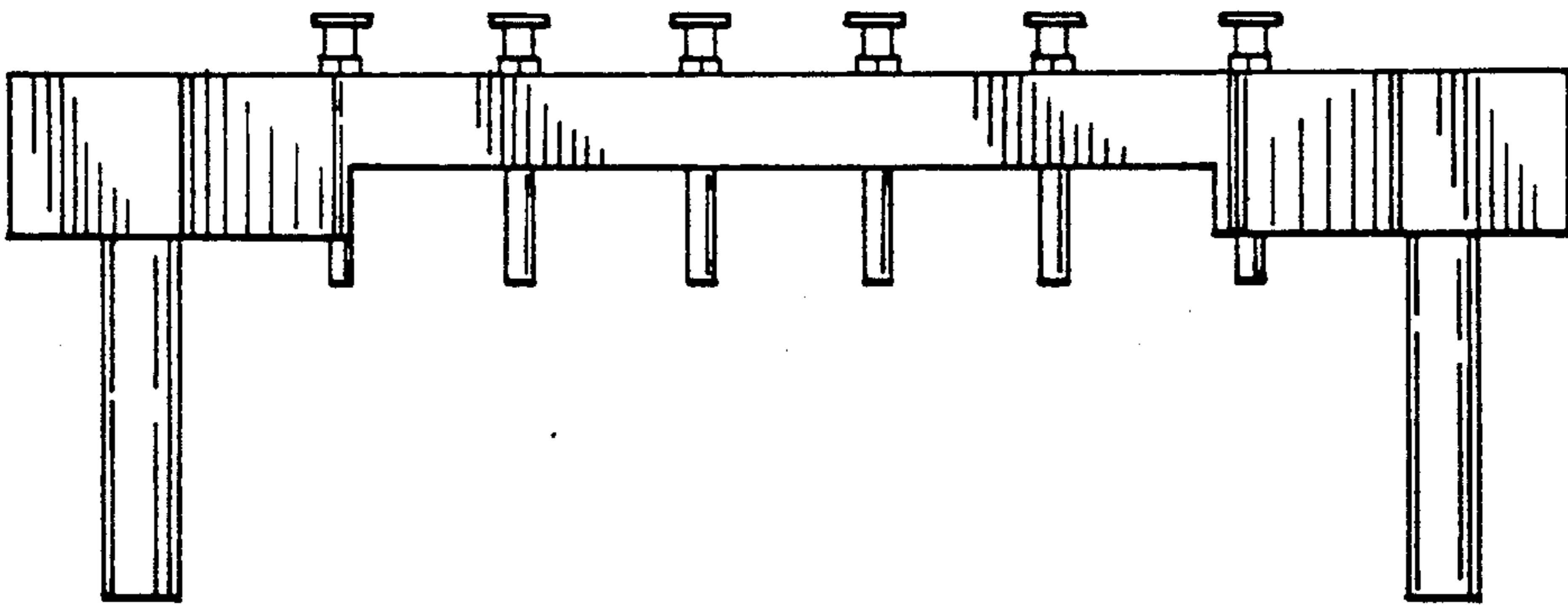
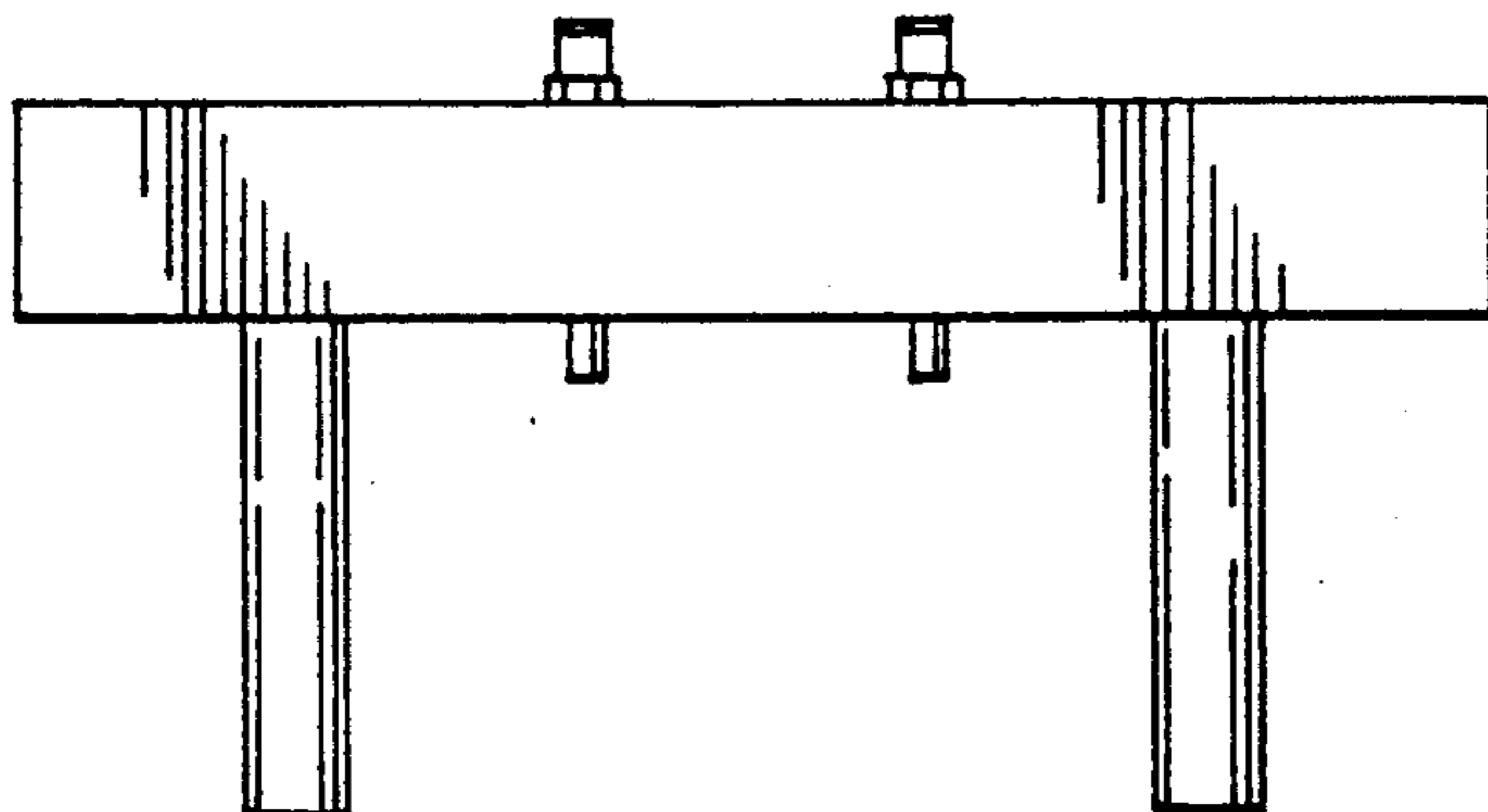


FIG. 5



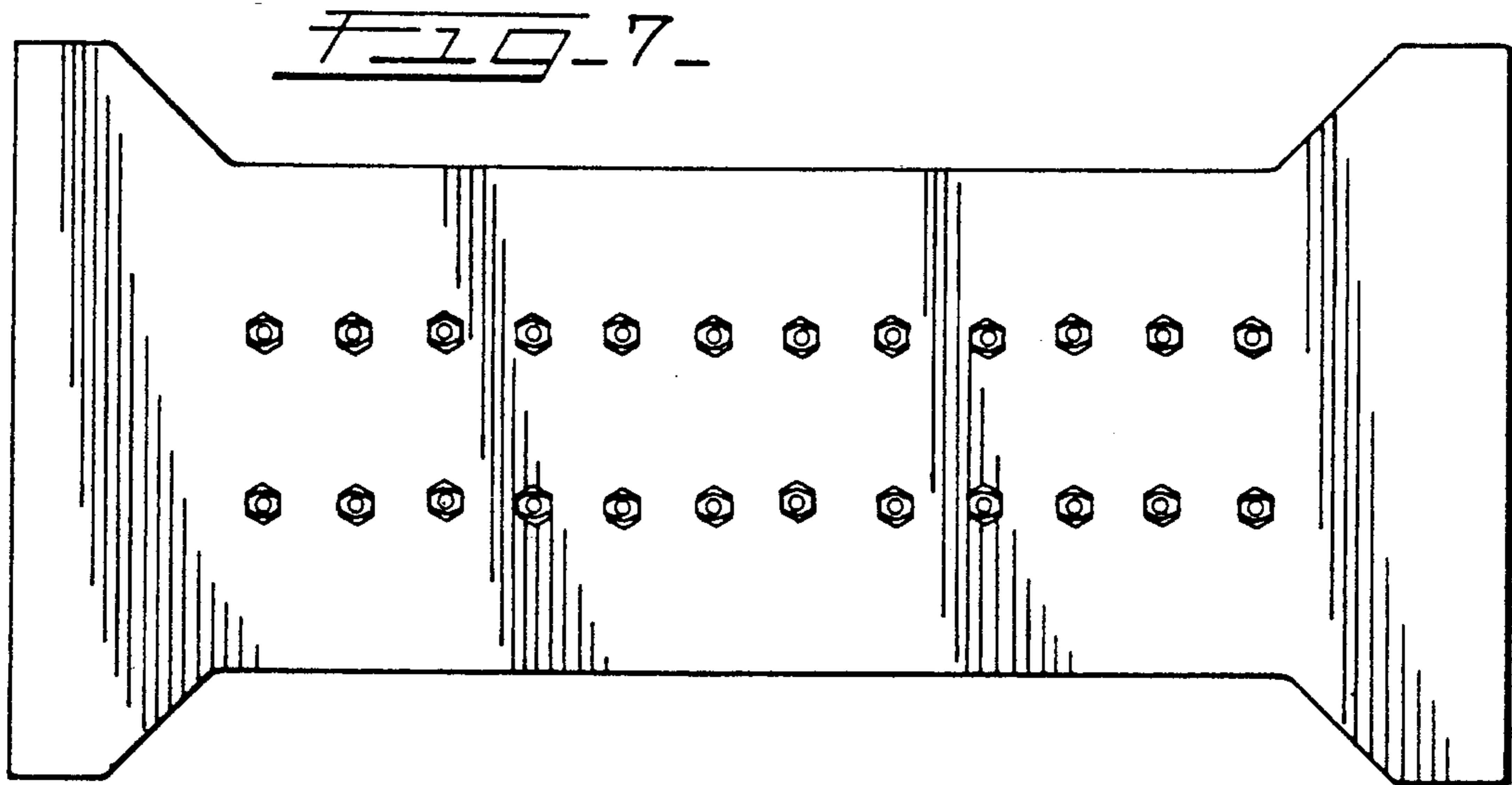
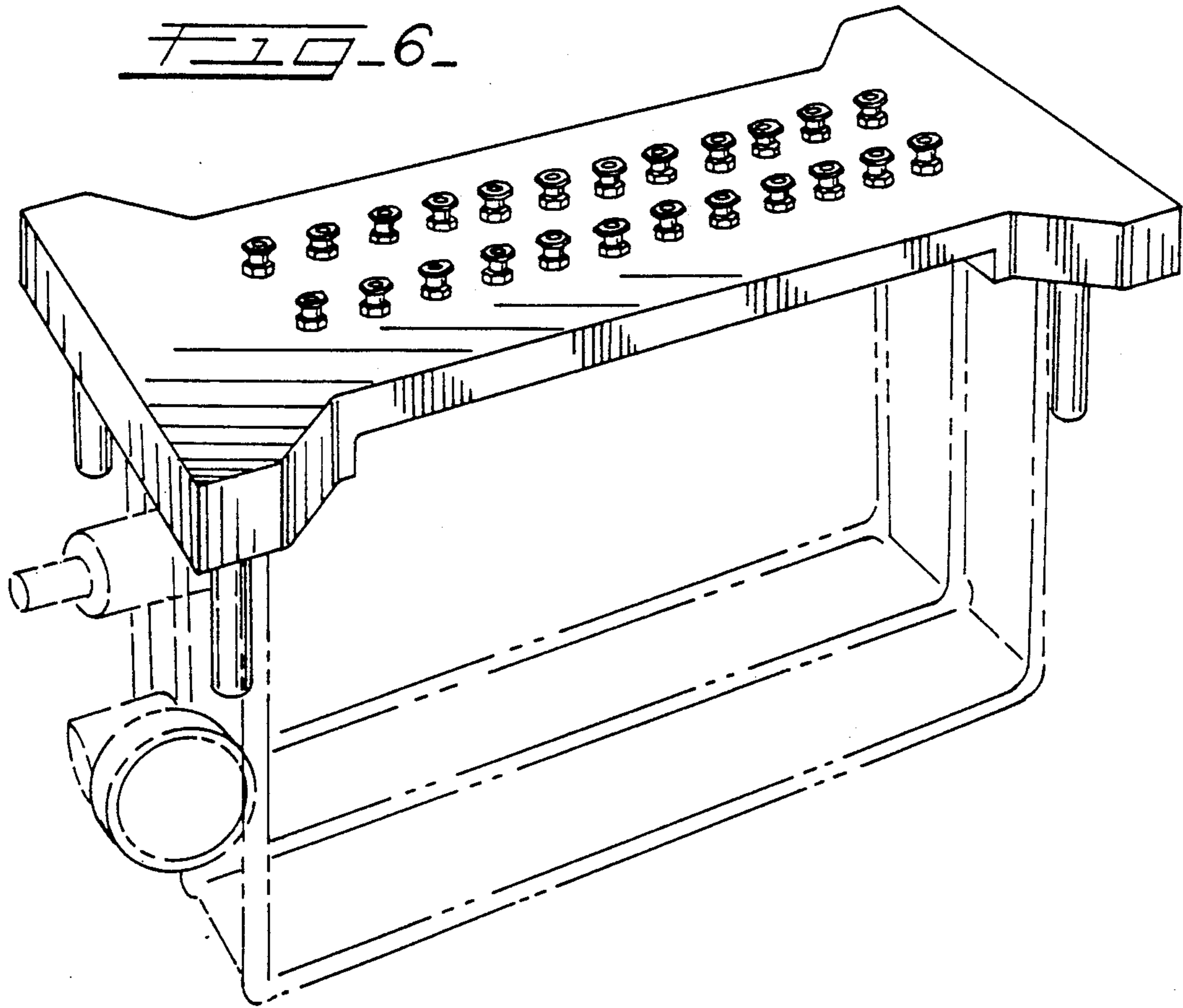


FIG. 8.

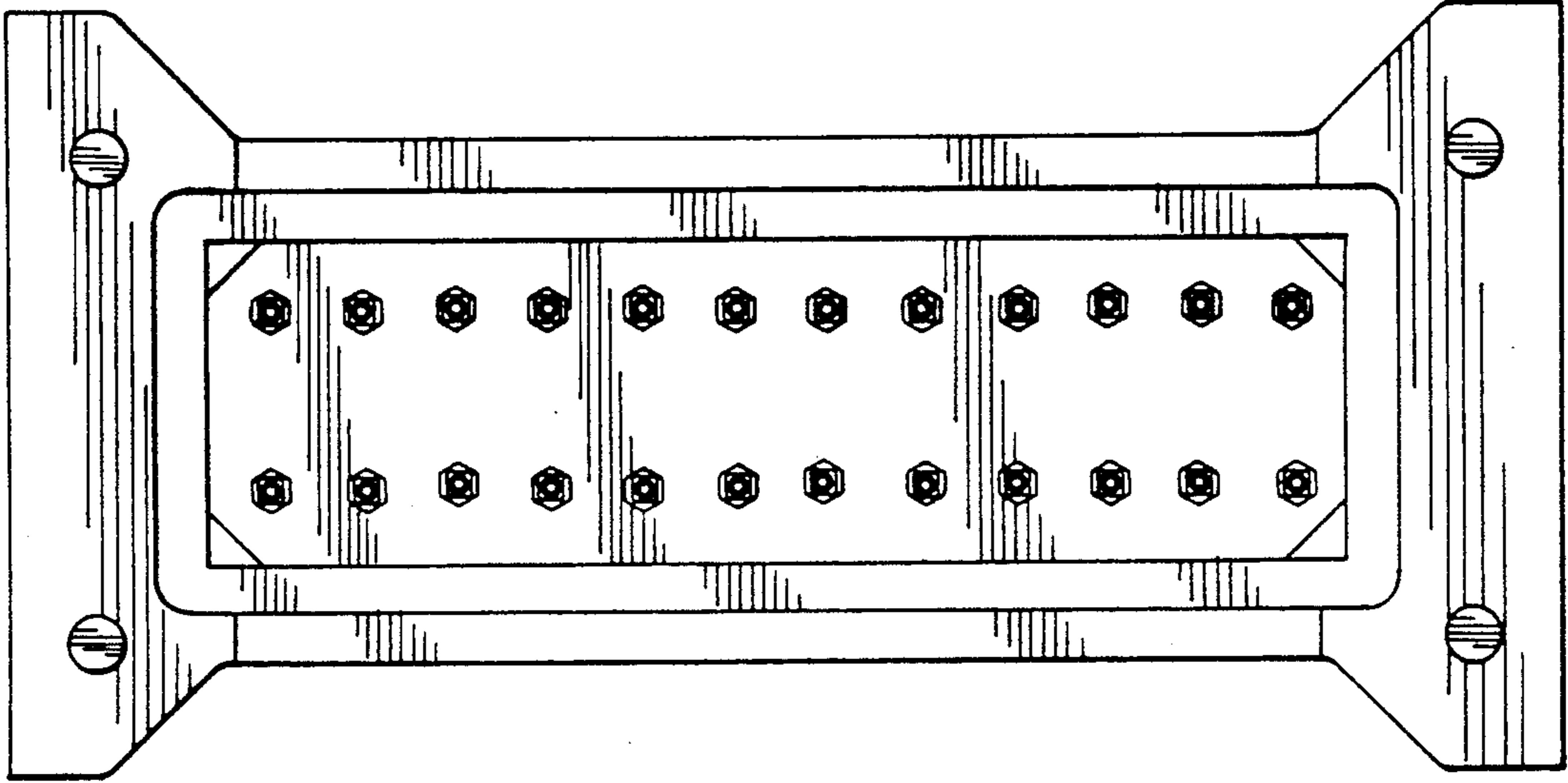


FIG. 9.

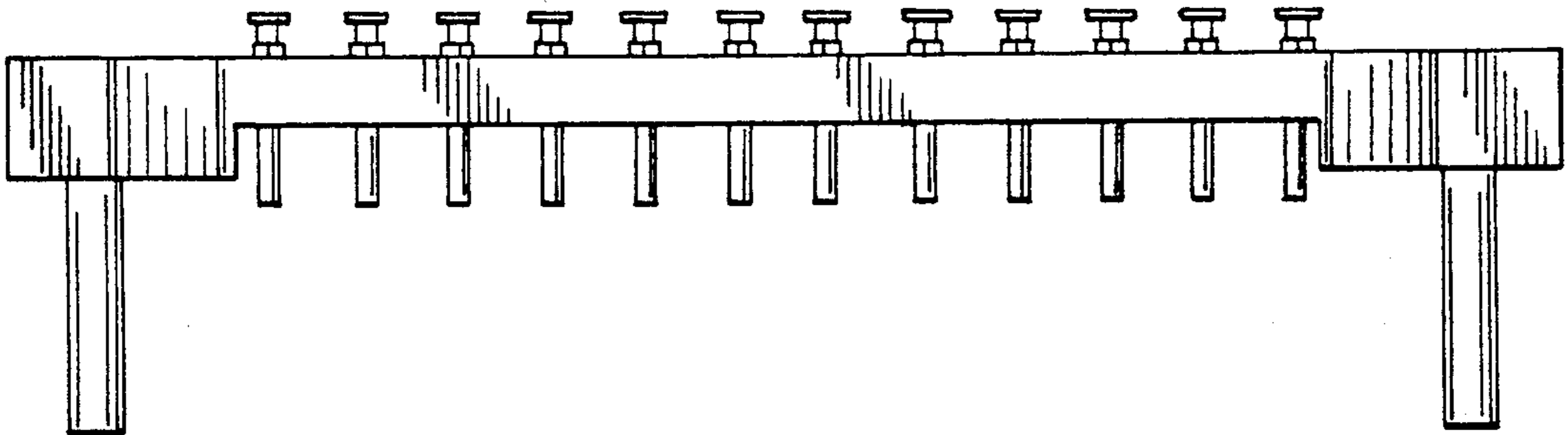


FIG. 10.

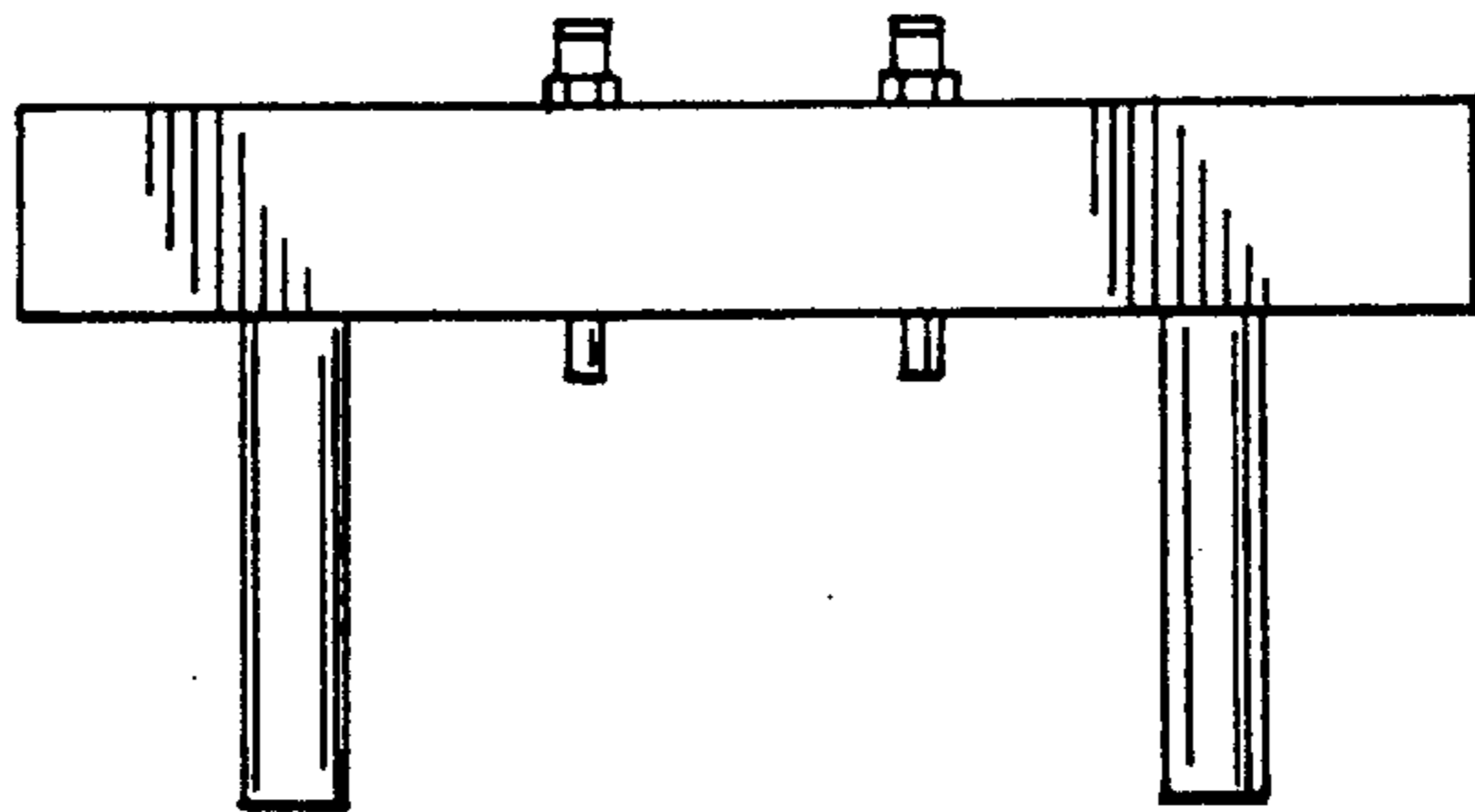


FIG. 11

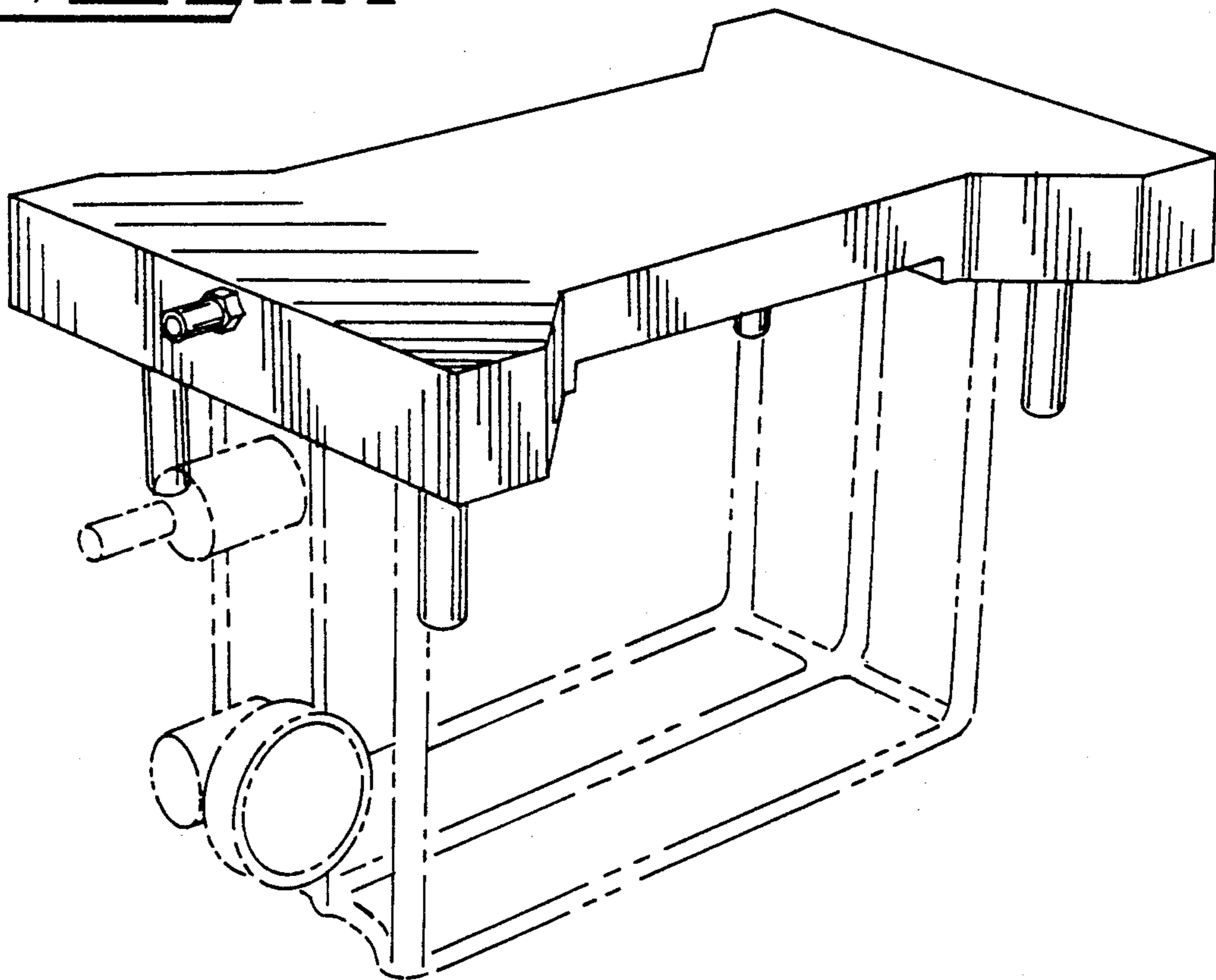


FIG. 12

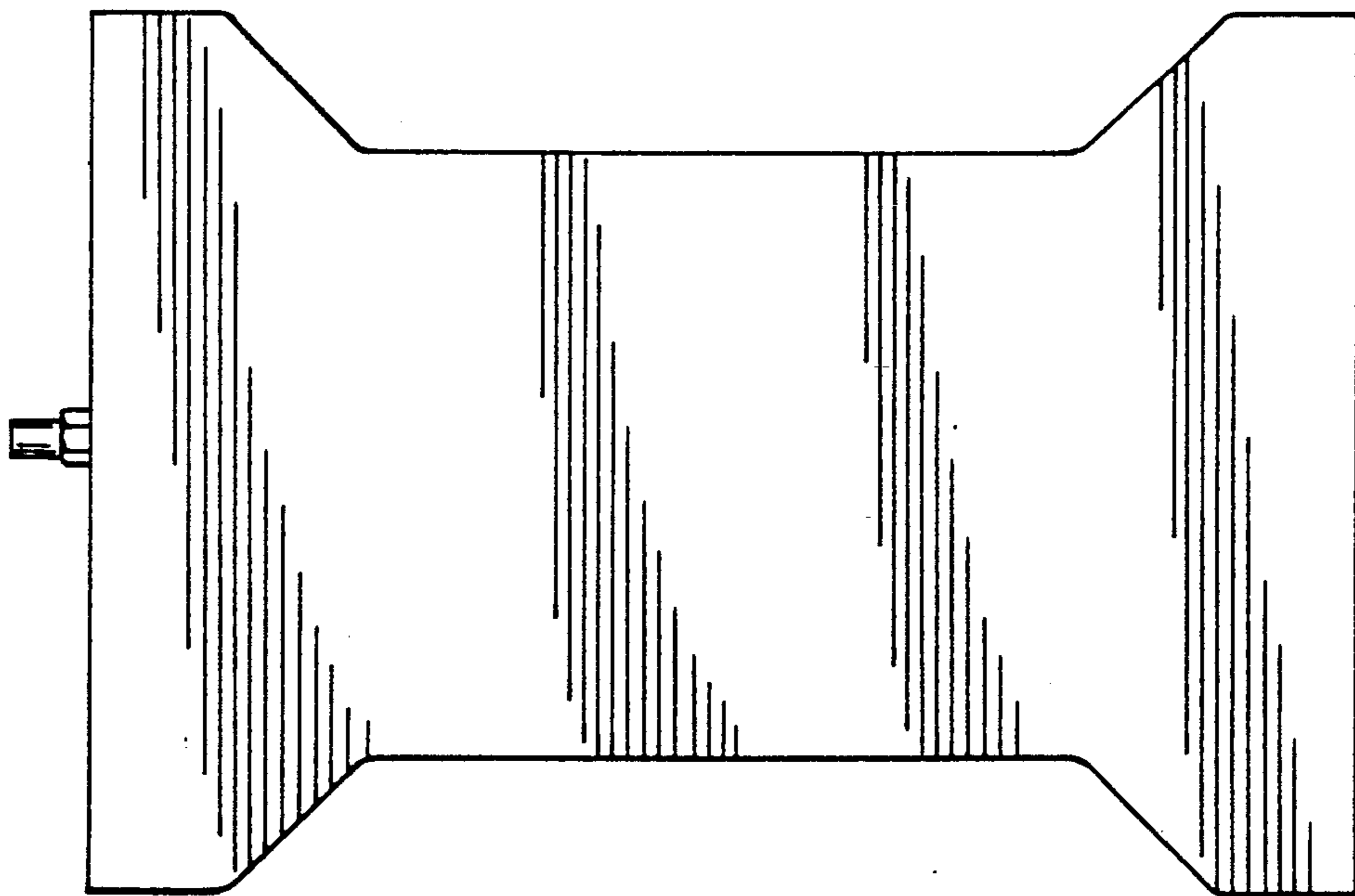


FIG. 13

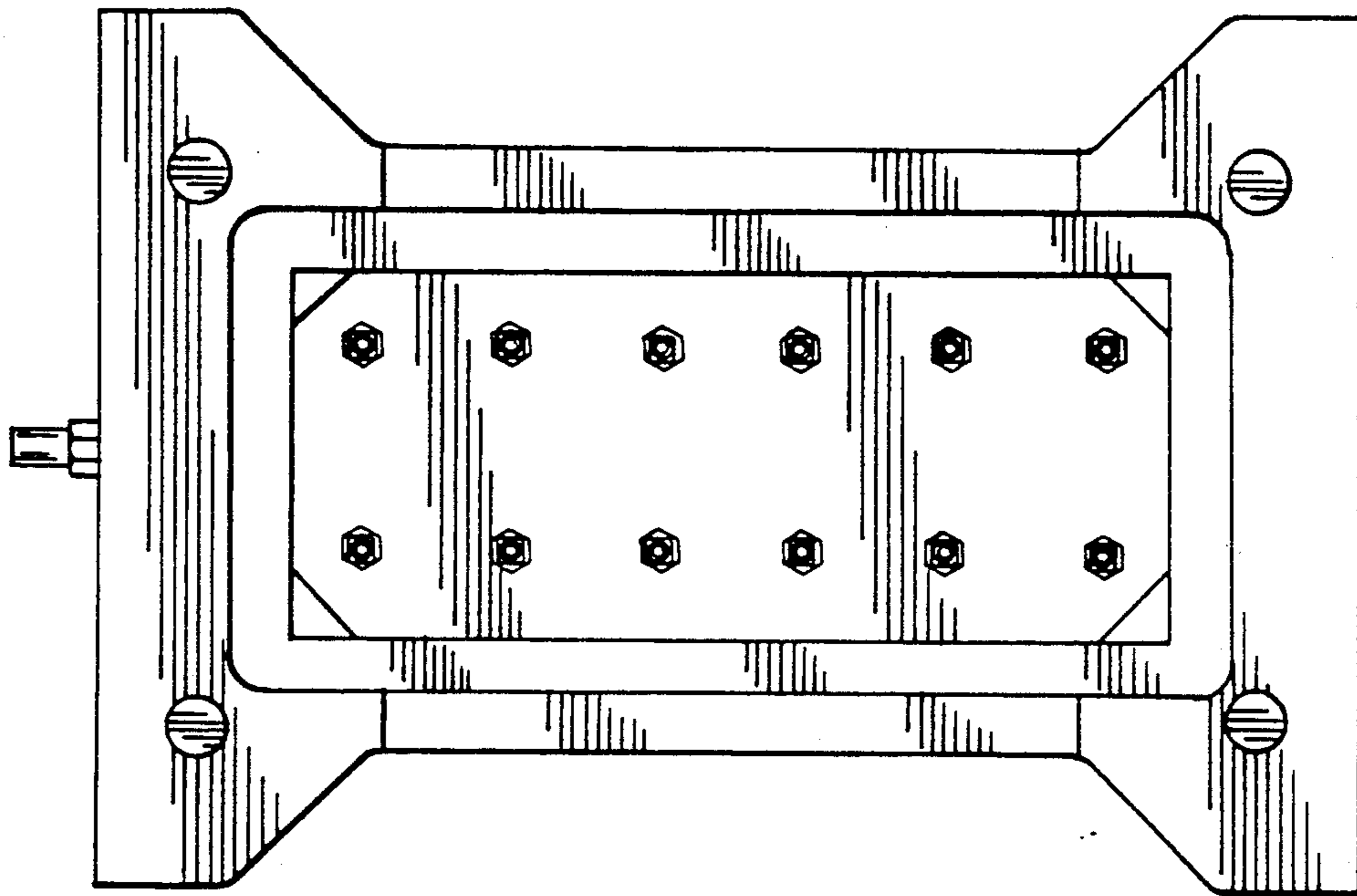


FIG. 14

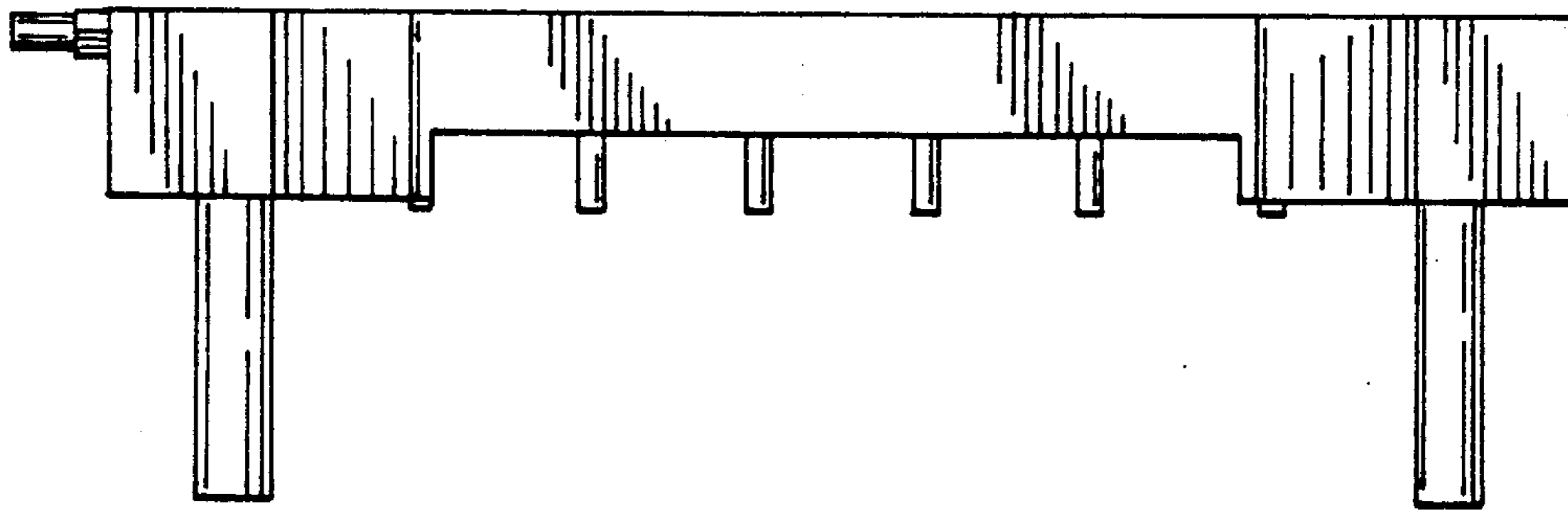


FIG. 15

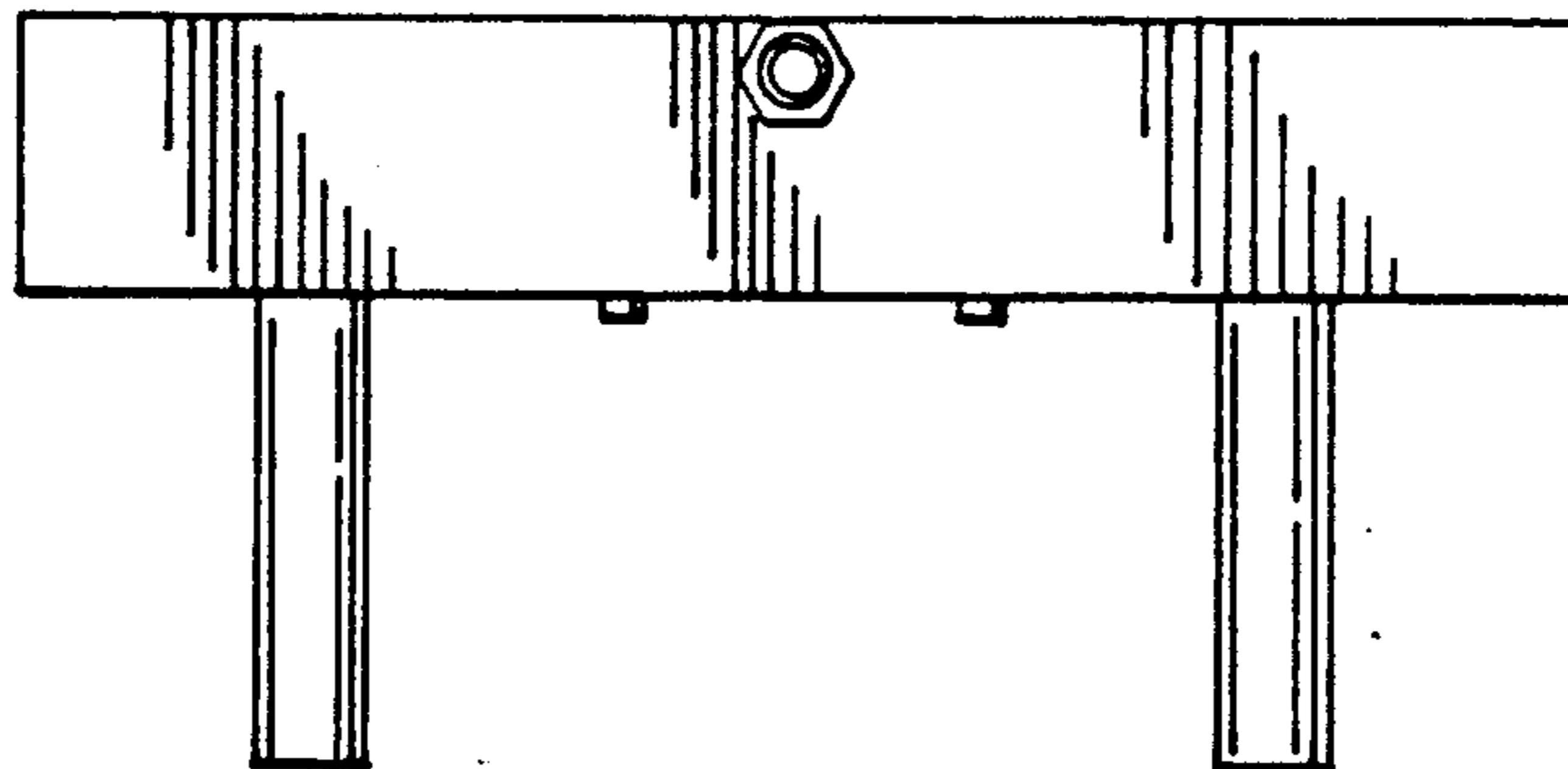


FIG. 16

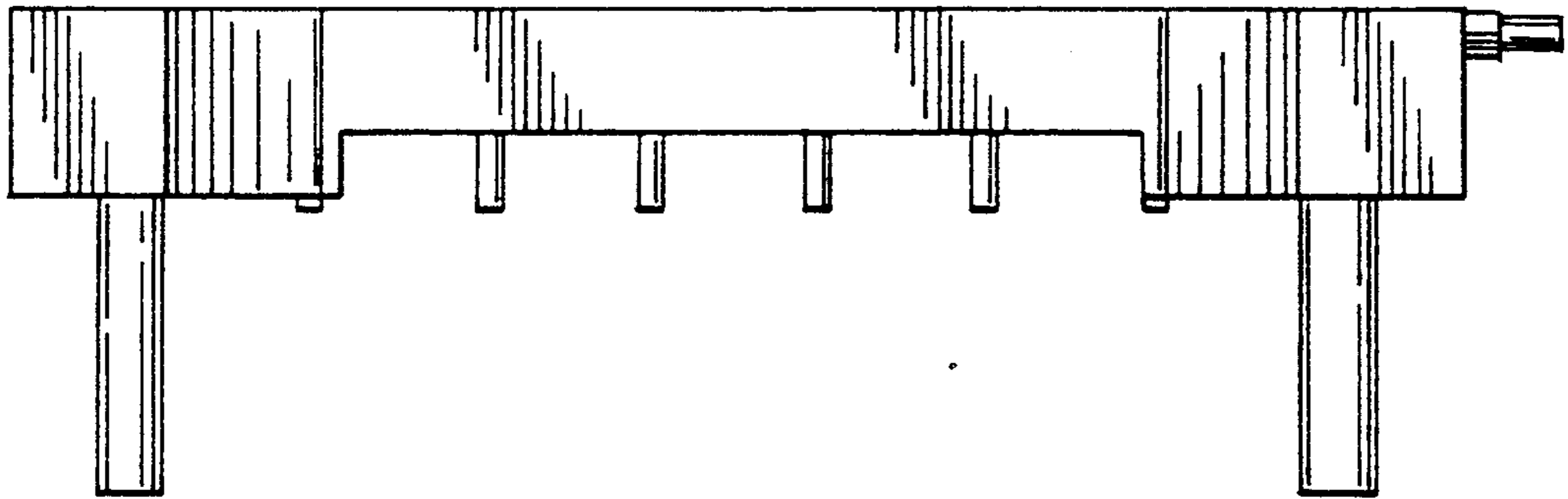


FIG. 17

