



US00D327854S

United States Patent [19]

[11] Patent Number: **Des. 327,854**

Bennett

[45] Date of Patent: **** Jul. 14, 1992**

[54] **COORDINATE POSITIONING PROBE HEAD**

4,972,597	11/1990	Kadosaki et al.	33/558
5,018,278	5/1991	Achnelt et al.	33/556 X
5,029,399	7/1991	McMurtry	33/559

[75] Inventor: **Simon J. Bennett**, Painswick, United Kingdom

[73] Assignee: **Renishaw plc**, Gloucestershire, United Kingdom

[**] Term: **14 Years**

[21] Appl. No.: **421,950**

[22] Filed: **Oct. 16, 1989**

[30] **Foreign Application Priority Data**

Apr. 22, 1989 [GB] United Kingdom 1058954

[52] U.S. Cl. **D10/74; D10/70**

[58] Field of Search **D10/70, 74; 33/556, 33/557, 558, 559**

[56] **References Cited**

U.S. PATENT DOCUMENTS

4,720,922	1/1988	Strauss	33/559
4,916,825	4/1990	Breyer	33/559 X

OTHER PUBLICATIONS

Photograph—PH9 fitted to a Nikon-Tristation CMM, being used to measure camera bodies. "Renishaw, Two Axis Index Head PH8".

Primary Examiner—Donald P. Walsh
Assistant Examiner—Antoine D. Davis
Attorney, Agent, or Firm—Oliff & Berridge

[57] **CLAIM**

The ornamental design for a coordinate positioning probe head, as shown and described.

DESCRIPTION

FIG. 1 is a front elevational view of a coordinate positioning probe head showing my new design; FIG. 2 is a top plan view; FIG. 3 is a rear elevational view; FIG. 4 is a bottom plan view; and, FIG. 5 is a bottom and front perspective view thereof.

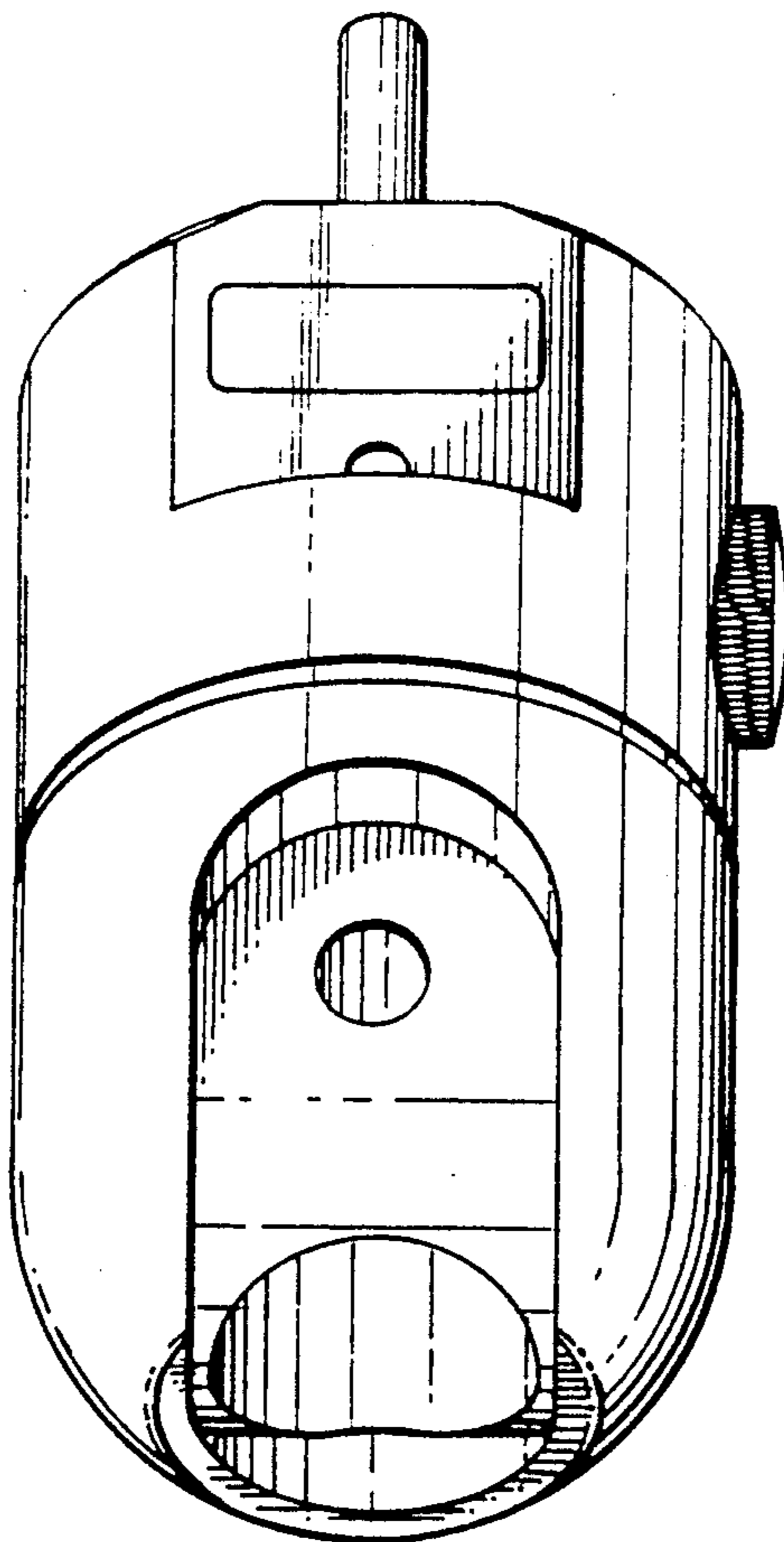


Fig.1.

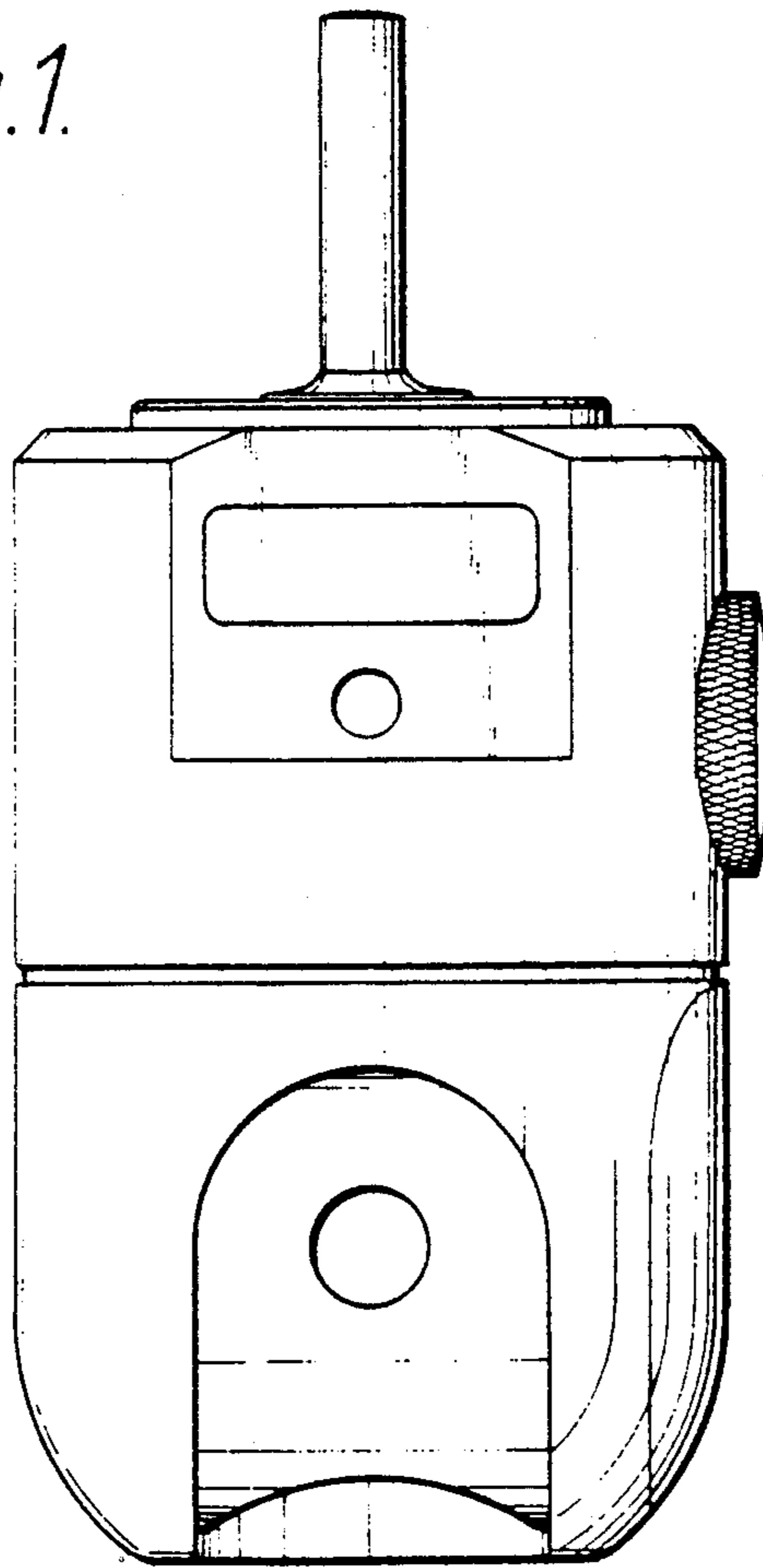


Fig.2.

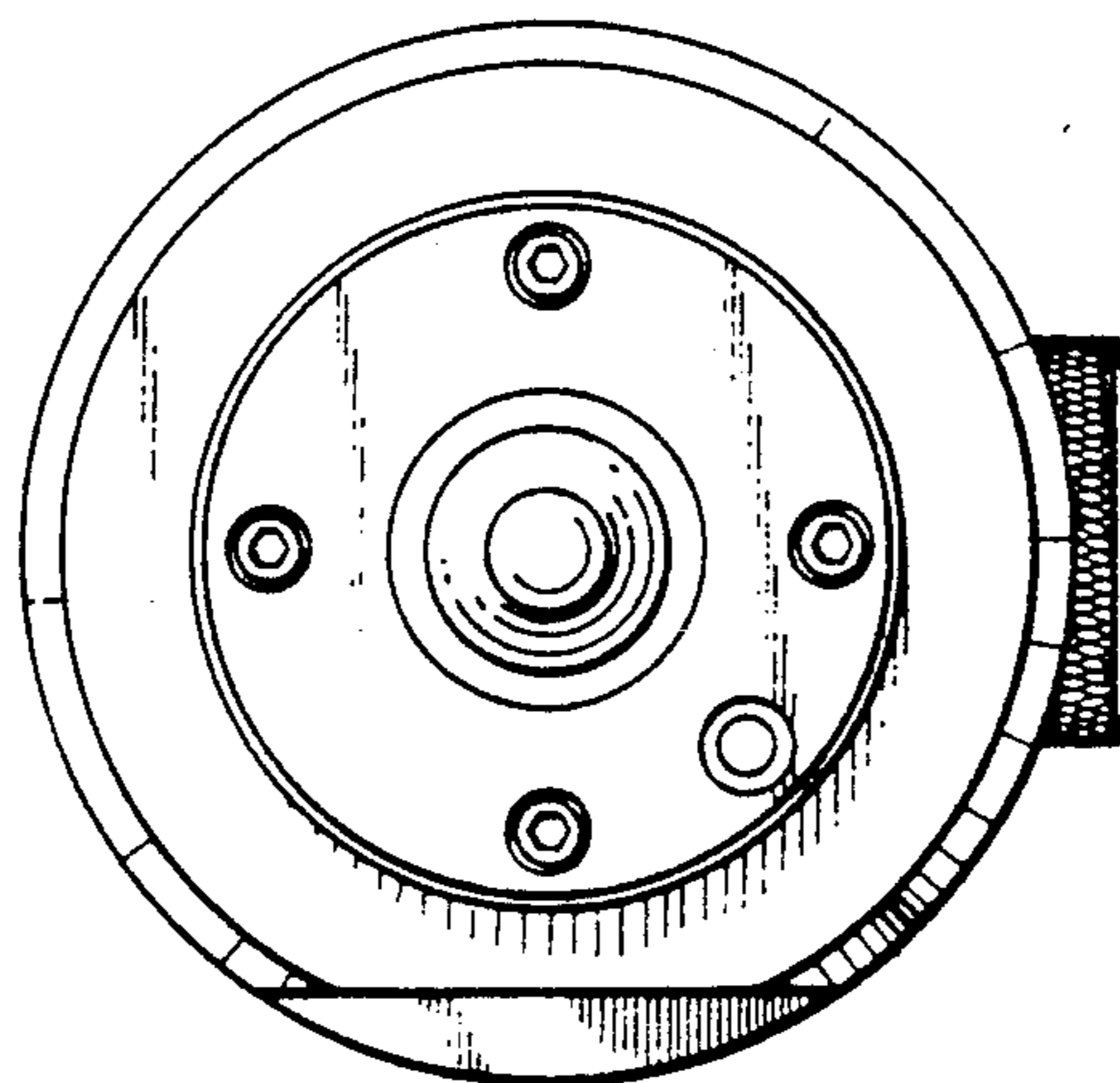


Fig. 3.

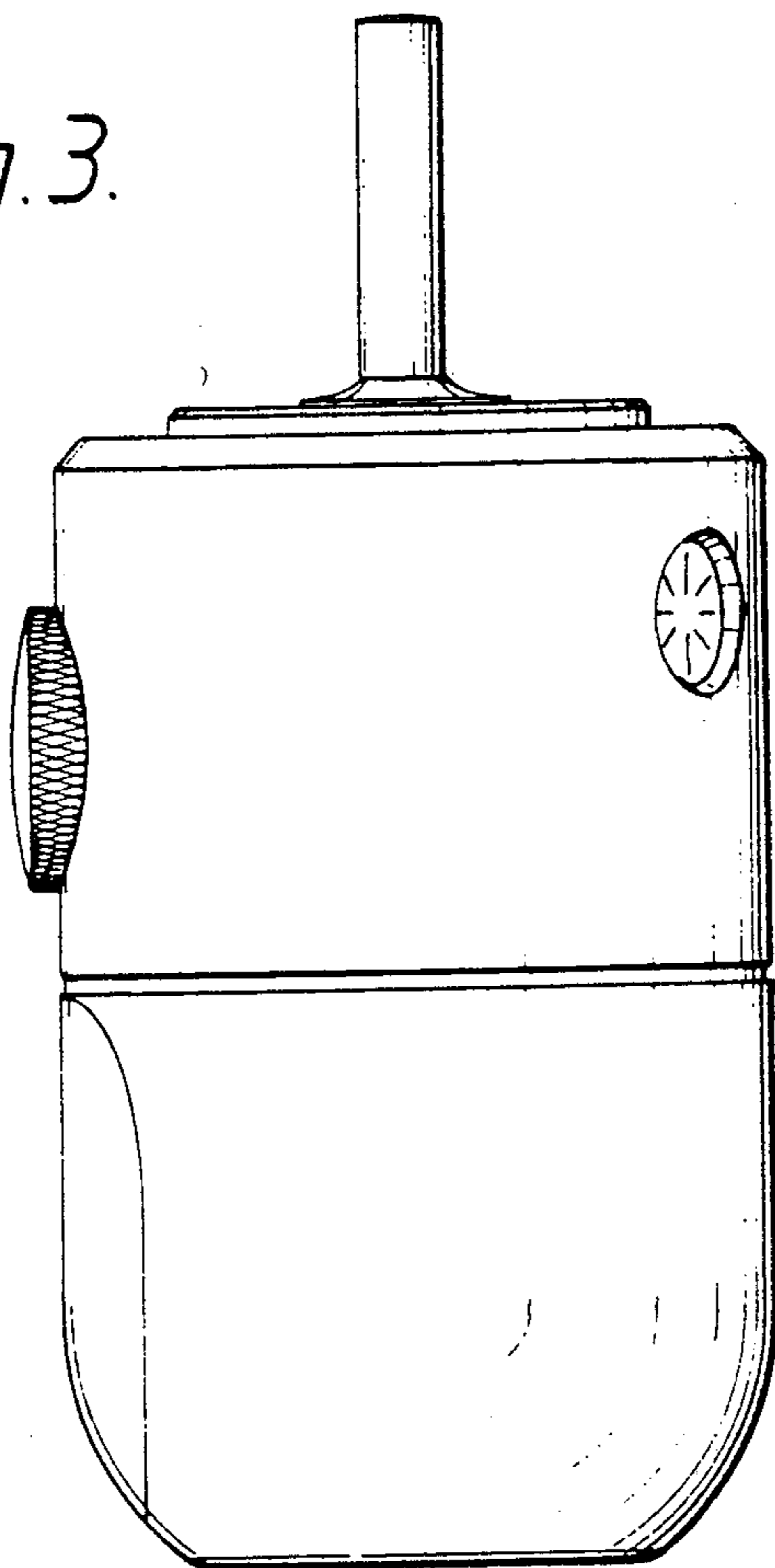


Fig. 4.

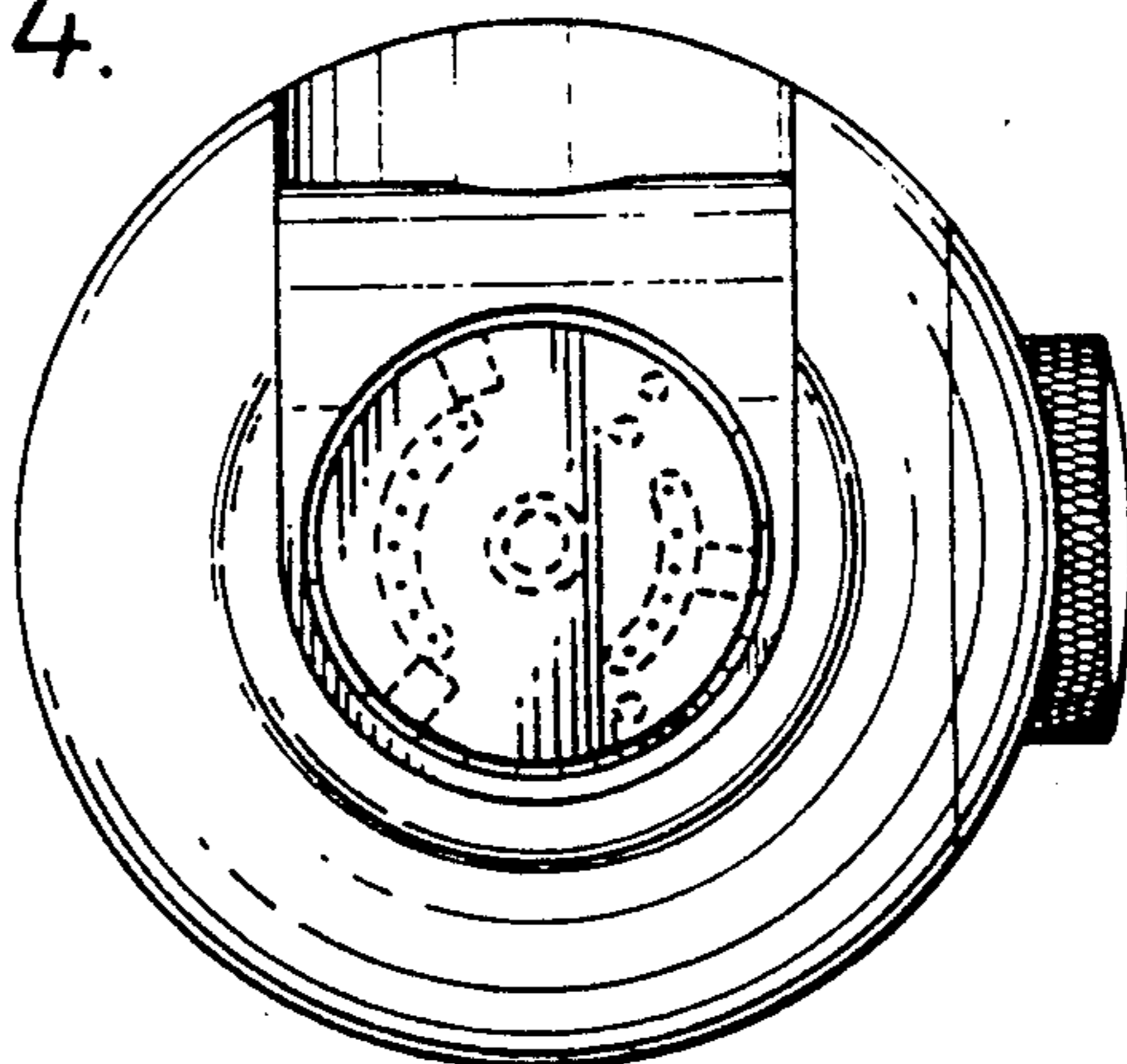


Fig.5.

