



US00D327850S

**United States Patent** [19]  
**Reil**

[11] **Patent Number: Des. 327,850**  
[45] **Date of Patent: \*\* Jul. 14, 1992**

[54] **EARRING CARRIER**  
[76] **Inventor: Vladimir Reil, 30524 Ganado Dr.,  
Rancho Palos Verdes, Calif. 90710**  
[\*\*] **Term: 14 Years**  
[21] **Appl. No.: 581,641**  
[22] **Filed: Sep. 10, 1990**  
[52] **U.S. Cl. .... D9/456; D9/434**  
[58] **Field of Search .... D9/434, 455-457,  
D9/347; D3/74, 75; 206/6.1; 211/13**

D. 294,459 3/1988 Wendel ..... D9/347 X  
4,664,264 5/1987 Kirk ..... D9/456 X

*Primary Examiner*—Bernard Ansher  
*Assistant Examiner*—Dominic Simone  
*Attorney, Agent, or Firm*—Cislo & Thomas

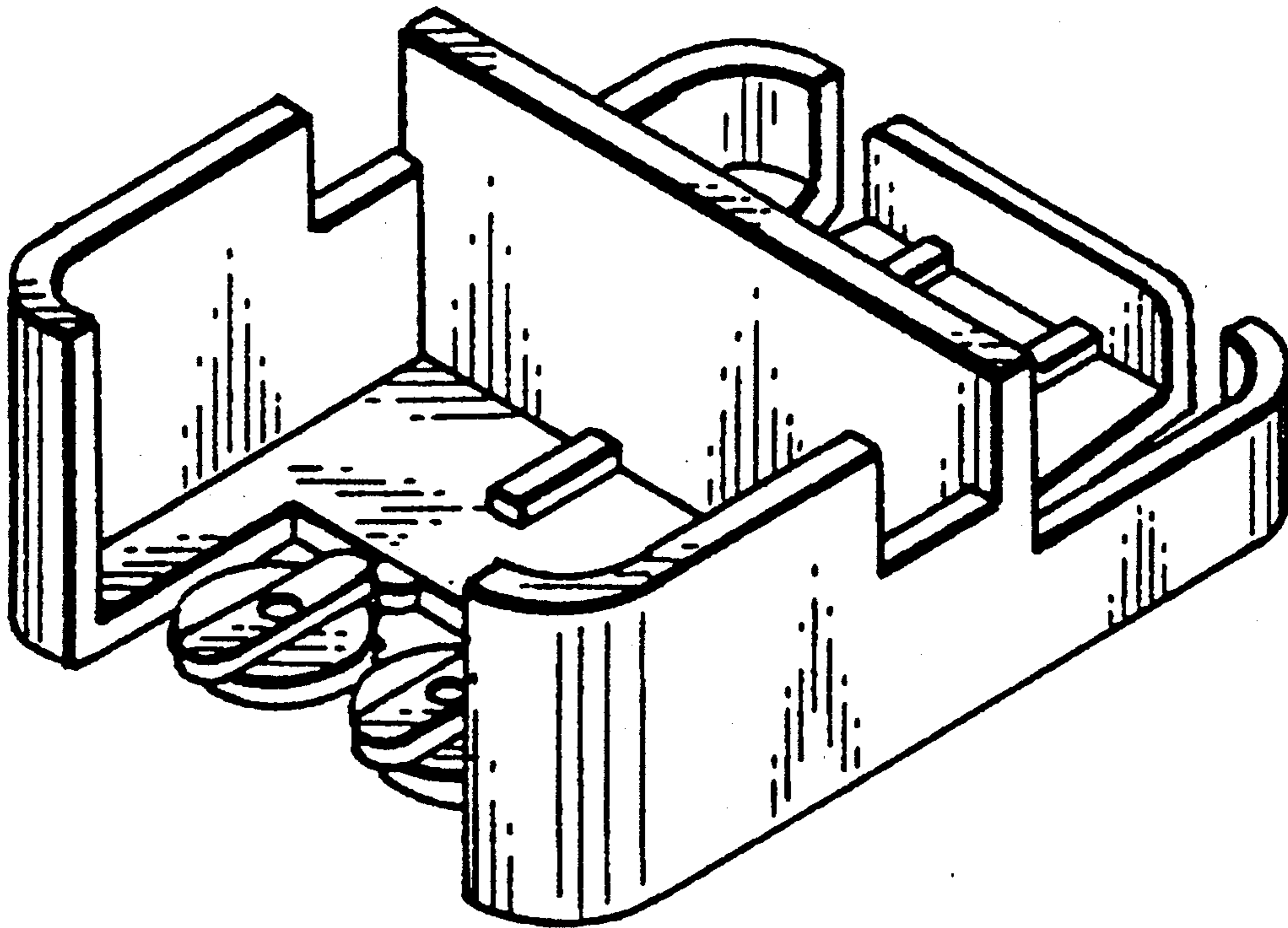
[57] **CLAIM**

The ornamental design for an earring carrier, as shown and described.

**DESCRIPTION**

FIG. 1 is a top perspective view of an earring carrier showing my new design;  
FIG. 2 is a top plan view thereof;  
FIG. 3 is a bottom plan view thereof;  
FIG. 4 is a back end elevational view thereof;  
FIG. 5 is a side elevational view thereof, both side views being mirror images of each other; and,  
FIG. 6 is a front end elevational view thereof.

[56] **References Cited**  
**U.S. PATENT DOCUMENTS**  
D. 216,348 12/1969 Huck ..... D9/347 X  
D. 221,035 6/1971 Raines ..... D9/347 X  
D. 271,470 11/1983 Lauck ..... D9/457  
D. 275,530 9/1984 Duckworth ..... D3/75  
D. 293,583 1/1988 Dunlap ..... D9/347 X



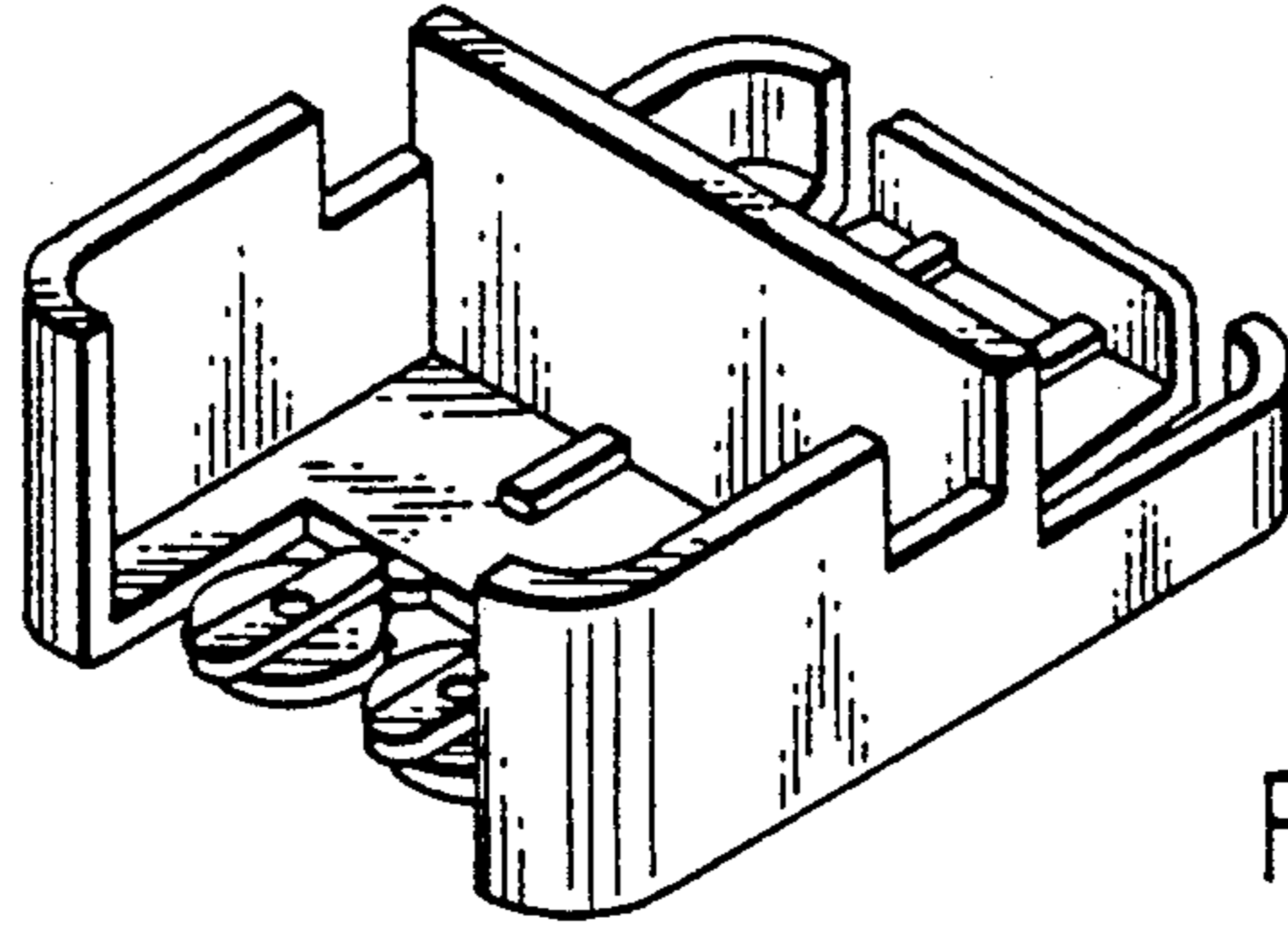


Fig. 1.

Fig. 2.

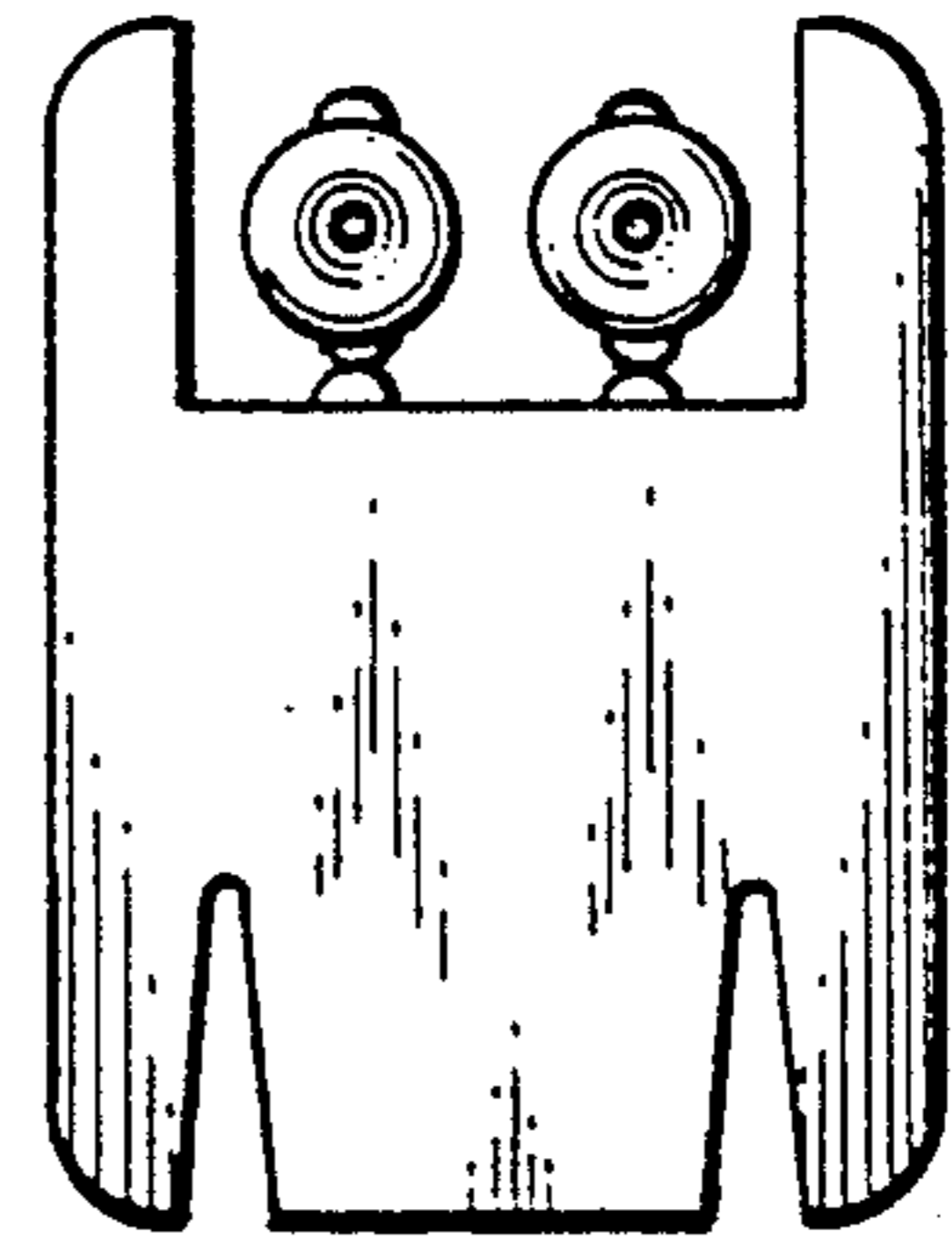
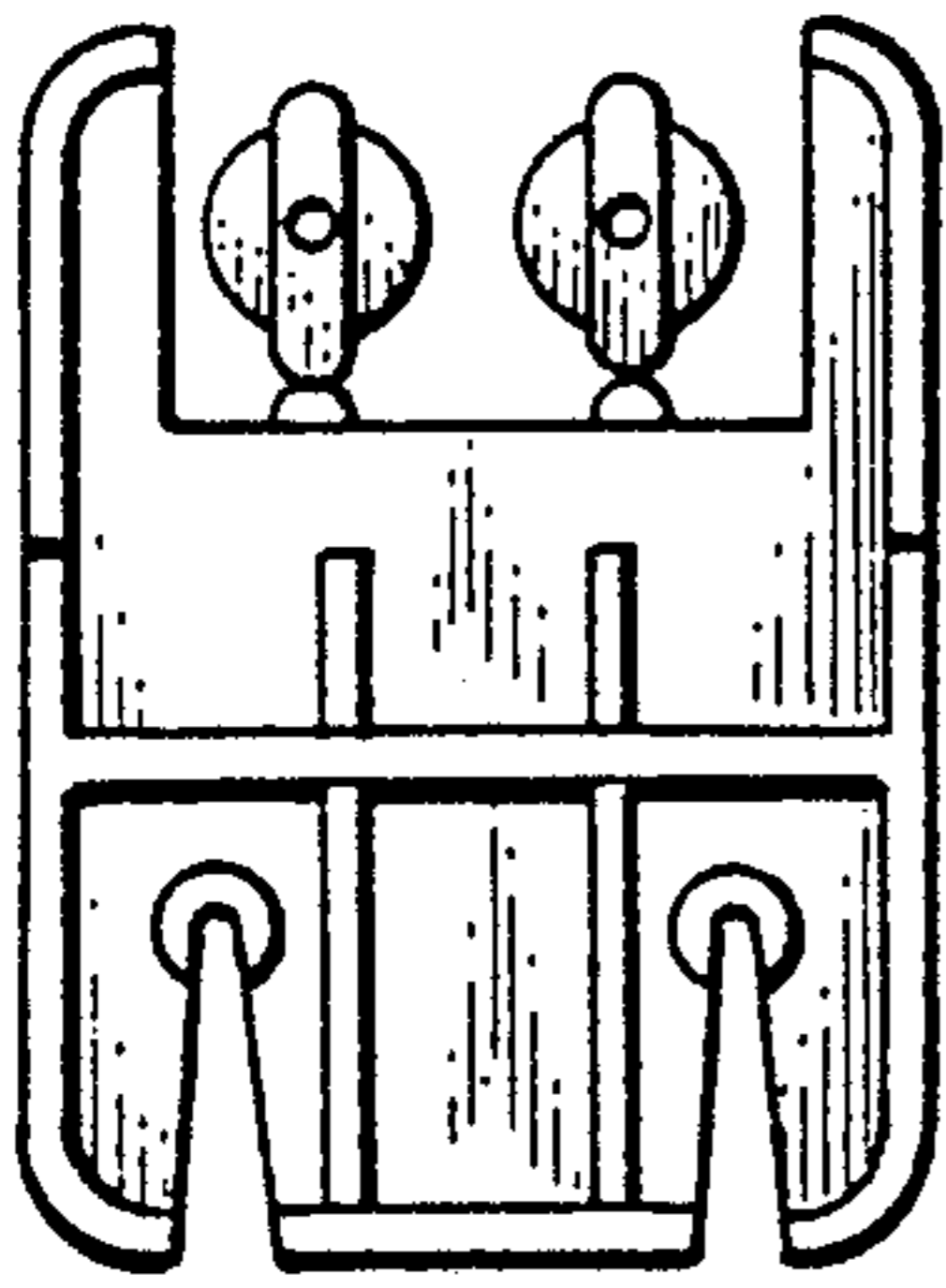


Fig. 3.

Fig. 4.

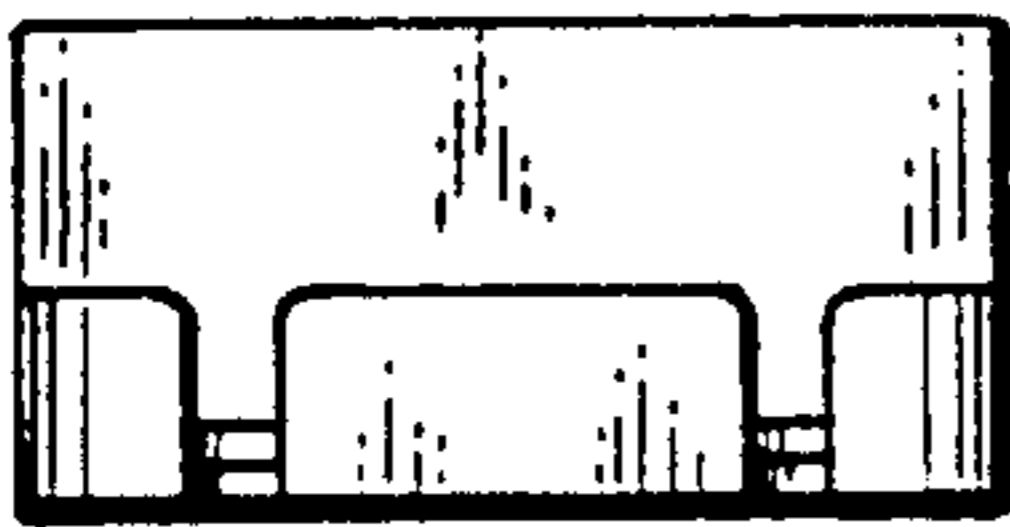


Fig. 5.

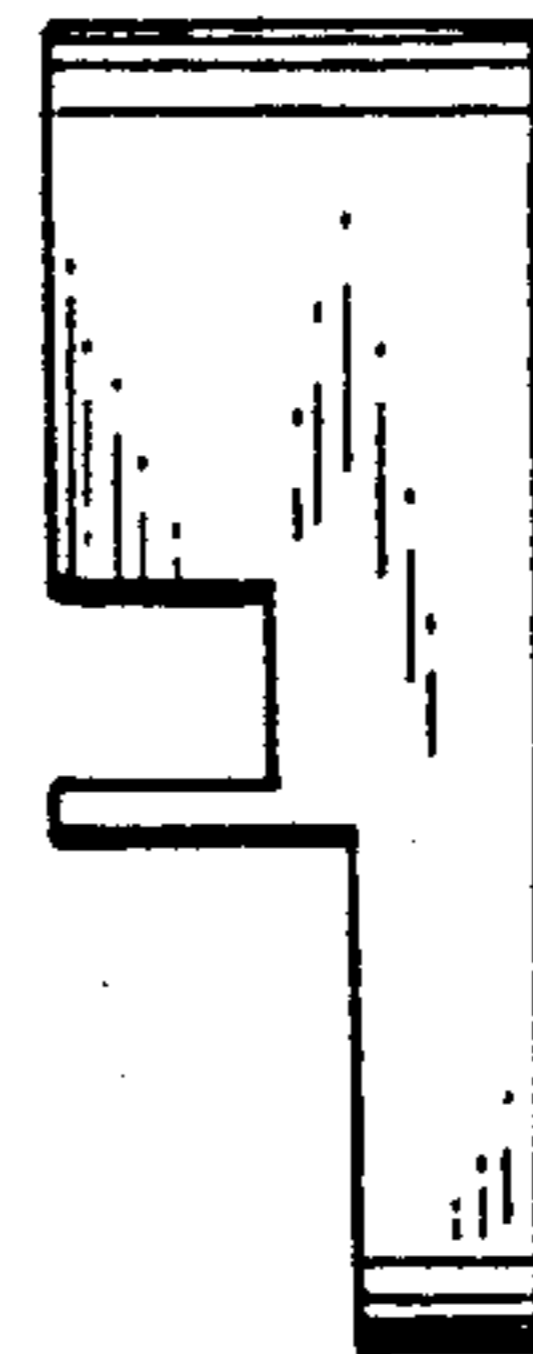


Fig. 6.

