



US00D327846S

**United States Patent** [19]  
**Jacobs**

[11] **Patent Number: Des. 327,846**  
[45] **Date of Patent: \*\* Jul. 14, 1992**

[54] **HANDLE FOR A BAG**  
[76] **Inventor: Allen Jacobs, 544 W. Beech St.,  
Long Beach, N.Y. 11561**  
[\*\*] **Term: 14 Years**  
[21] **Appl. No.: 490,959**  
[22] **Filed: Mar. 9, 1990**  
[52] **U.S. Cl. .... D9/434**  
[58] **Field of Search ..... D9/305, 337, 434;  
D8/303, 314, 317, 320; 294/171; 16/114 R, 114  
B**

3,680,752 8/1972 Wilson ..... 294/171  
4,590,640 5/1986 Enersen ..... D9/434 X

*Primary Examiner*—Bernard Ansher  
*Assistant Examiner*—C. Tuttle  
*Attorney, Agent, or Firm*—Howard C. Miskin

[57] **CLAIM**

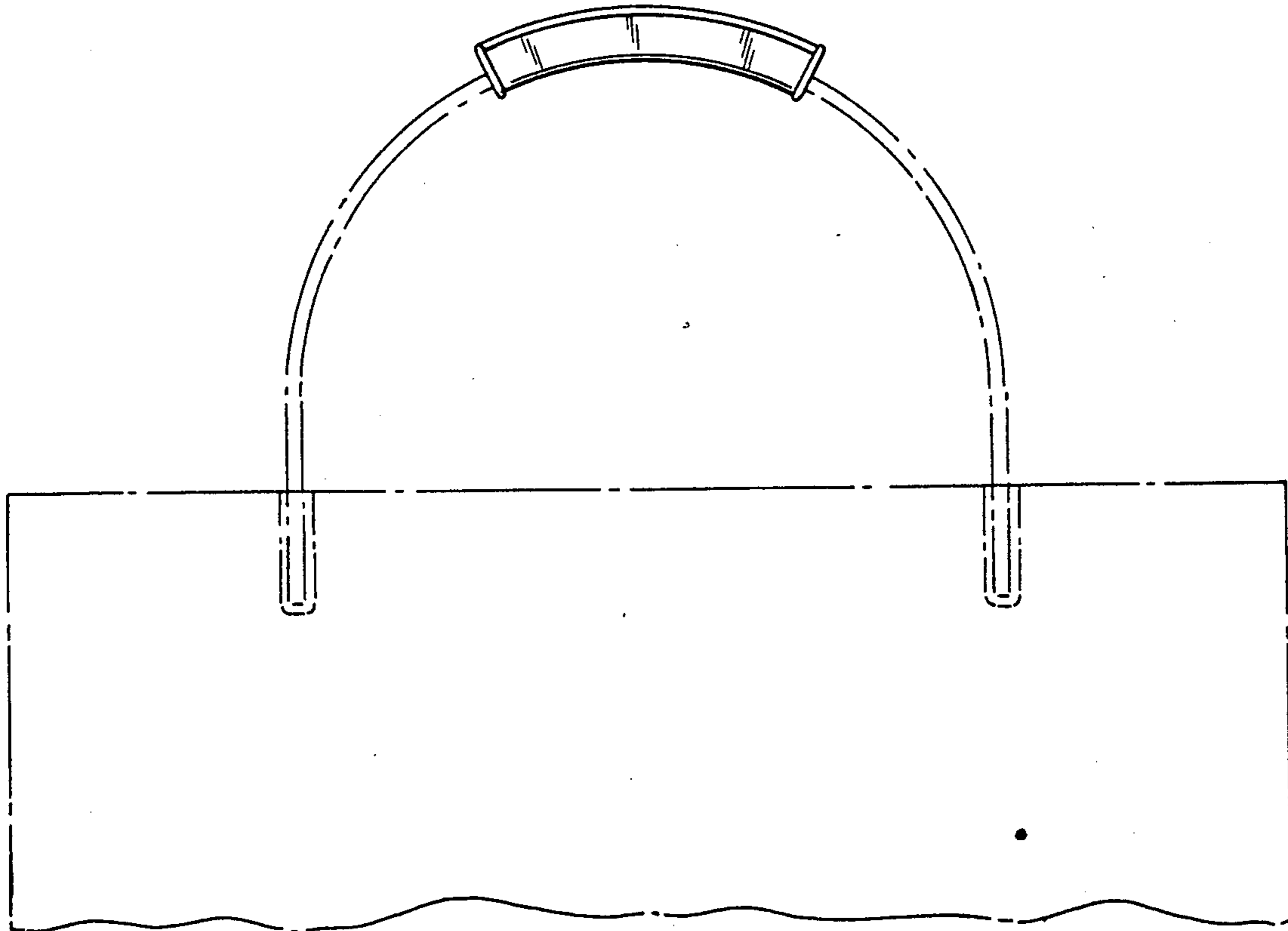
The ornamental design for a handle for a bag, as shown and described.

**DESCRIPTION**

FIG. 1 is a side elevational view of a handle for a bag showing my new design in use;  
FIG. 2 is an elevational view showing the side opposite that shown in FIG. 1 on an enlarged scale;  
FIG. 3 is a top view thereof;  
FIG. 4 is a bottom plan view thereof; and,  
FIG. 5 is an end elevational view thereof, the side opposite being a mirror image of the side shown.  
The broken line showing of the bag in FIG. 1 is for illustrative purposes only and forms no part of the claimed design.

[56] **References Cited**  
**U.S. PATENT DOCUMENTS**

D. 152,157	12/1948	Jones .....	D8/317
193,301	11/1957	Lukas .....	294/171
2,231,830	2/1941	Moore et al. ....	16/114 B
2,287,329	6/1942	Santa Maria et al. ....	294/171
2,294,197	8/1942	Moore et al. ....	16/114 B
2,876,714	8/1958	Charlick .....	16/114 B
3,679,103	7/1972	Chmela et al. ....	294/171 X



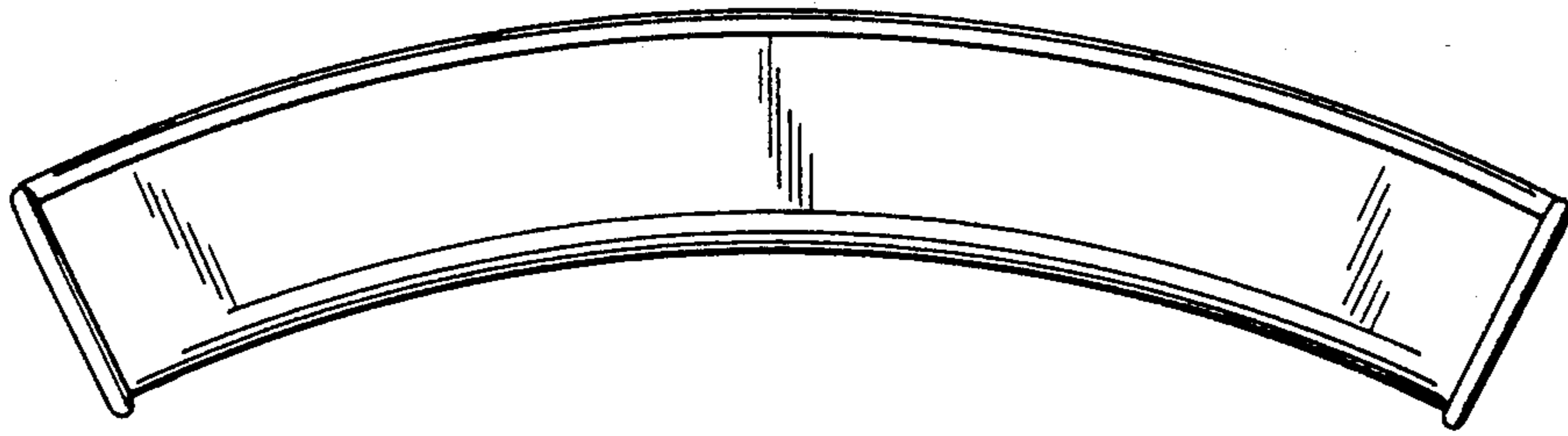


FIG. 2

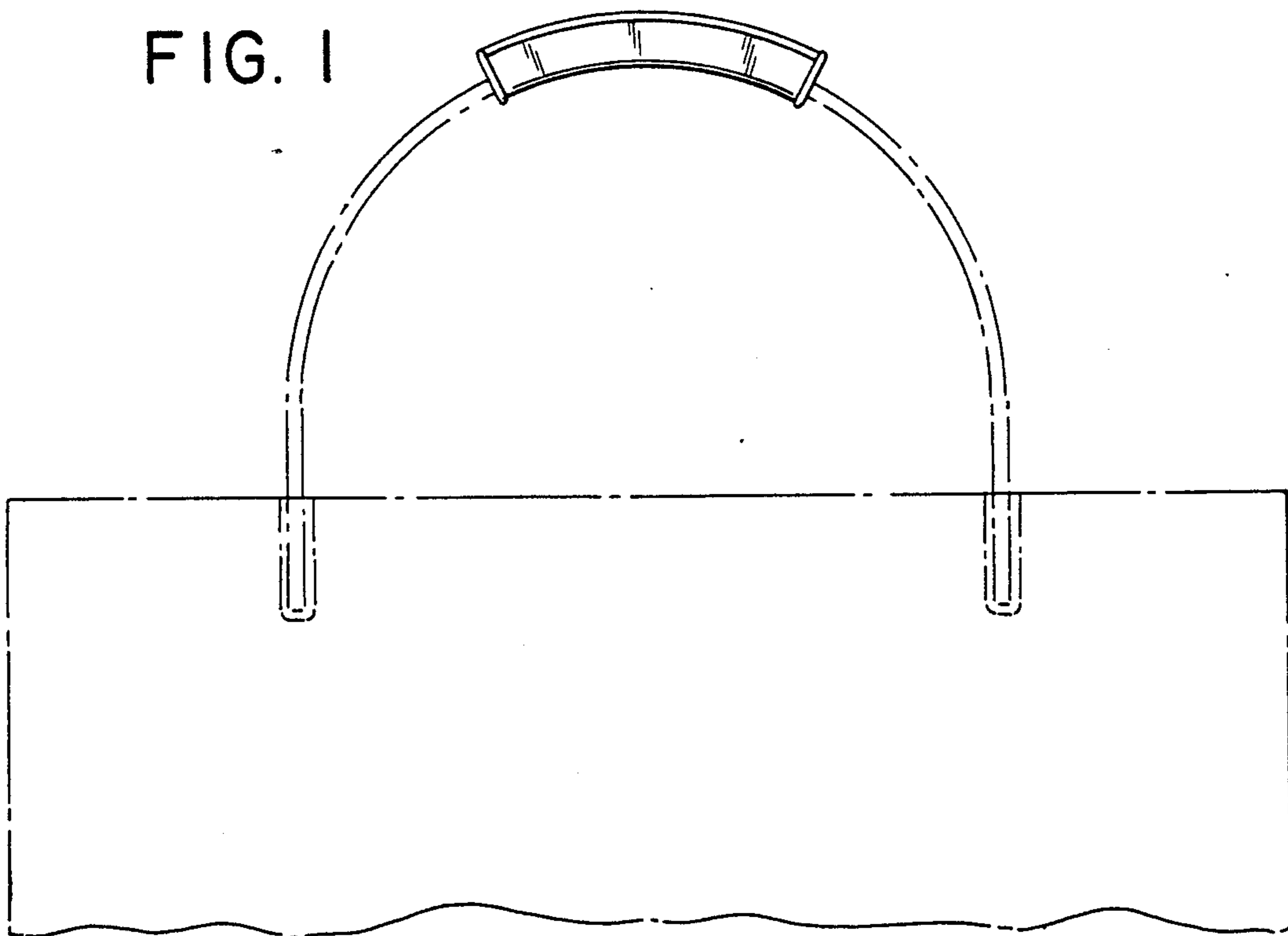


FIG. 1

FIG. 3

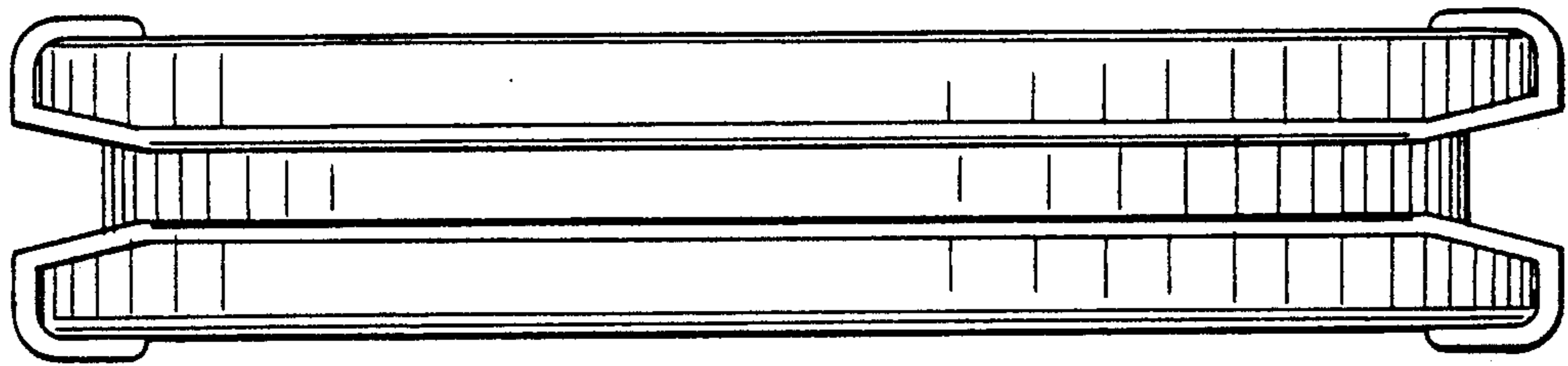


FIG. 4

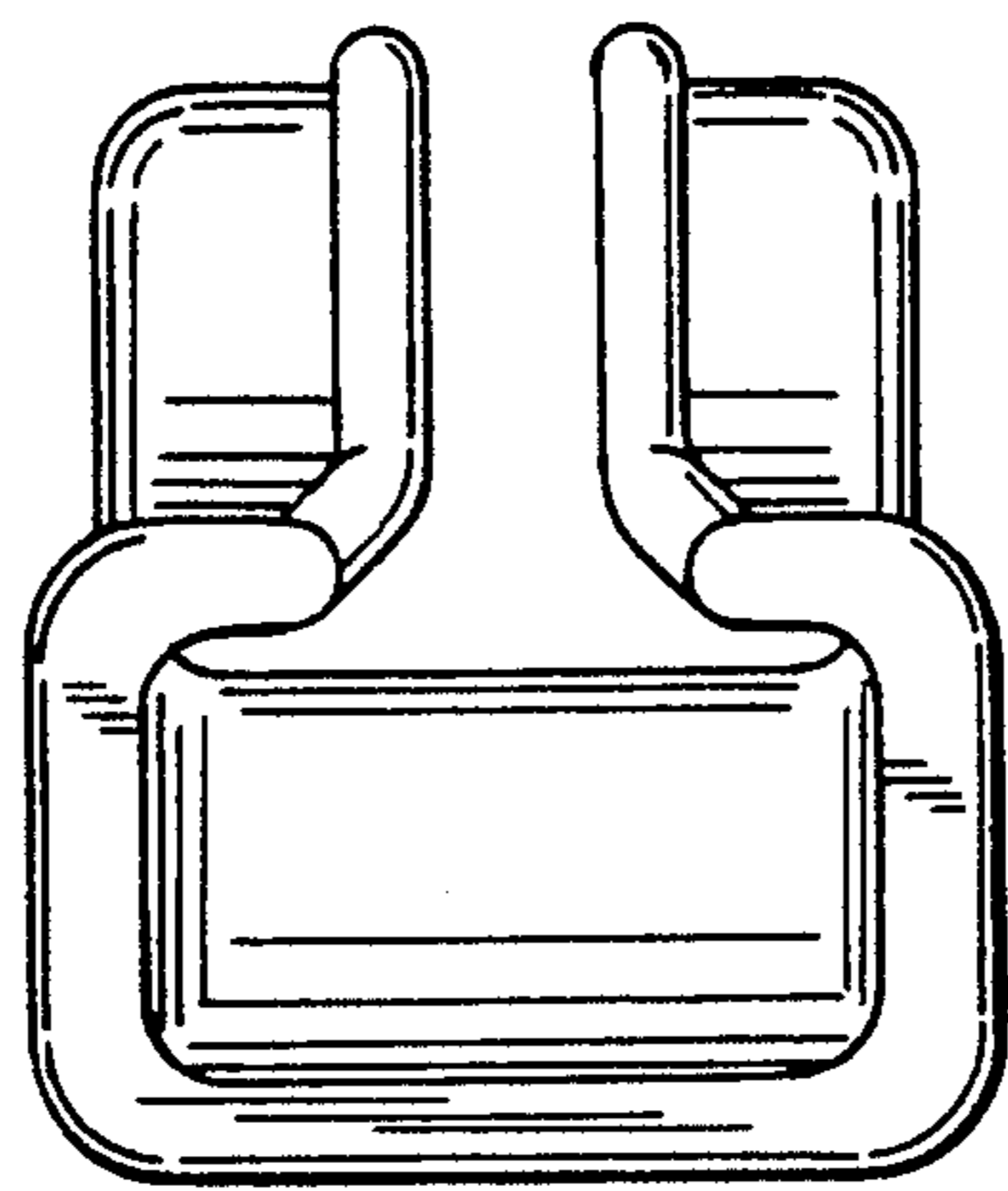
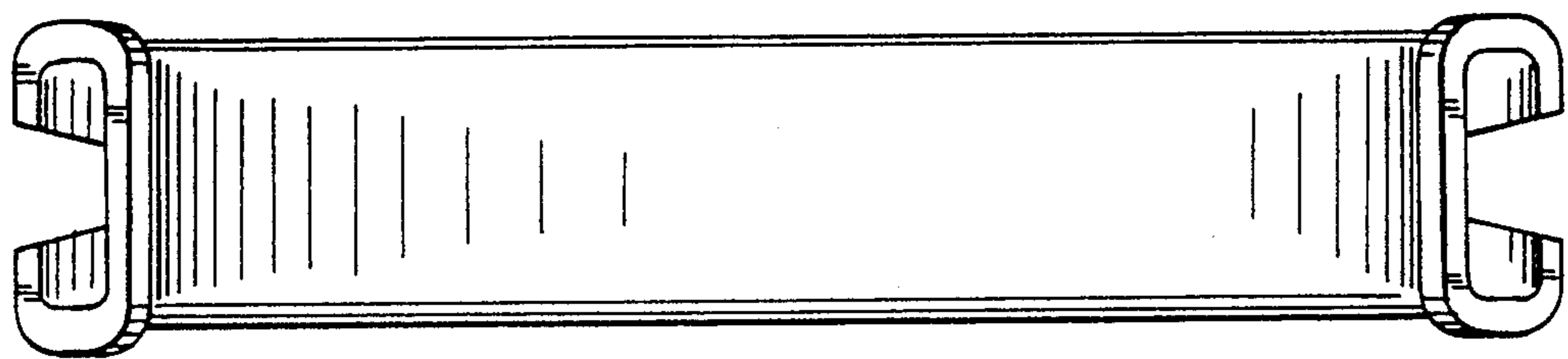


FIG. 5