



US00D327844S

United States Patent [19]

[11] Patent Number: **Des. 327,844**

Wimbish et al.

[45] Date of Patent: **** Jul. 14, 1992**

- [54] CLAM SHELL PACKAGE
- [75] Inventors: **Richard S. Wimbish; Roger L. Pyle,**
both of Mount Airy, N.C.
- [73] Assignee: **Techform, Inc.,** Mount Airy, N.C.
- [**] Term: **14 Years**
- [21] Appl. No.: **484,616**
- [22] Filed: **Feb. 23, 1990**
- [52] U.S. Cl. **D9/415**
- [58] Field of Search **D9/415, 418, 414, 341,**
D9/425, 420; 206/461-471, 45.31, 541

- 4,423,811 1/1984 Knapp .
- 4,512,474 4/1985 Harding .
- 4,666,037 5/1987 Weissmann .
- 4,739,883 4/1988 Kohs .
- 4,872,551 10/1989 Theros .

Primary Examiner—Bernard Ansher
Assistant Examiner—Prabhakar Deshmukh
Attorney, Agent, or Firm—Rhodes, Coats & Bennett

[57] CLAIM

The ornamental design for a clam shell package, as shown and described.

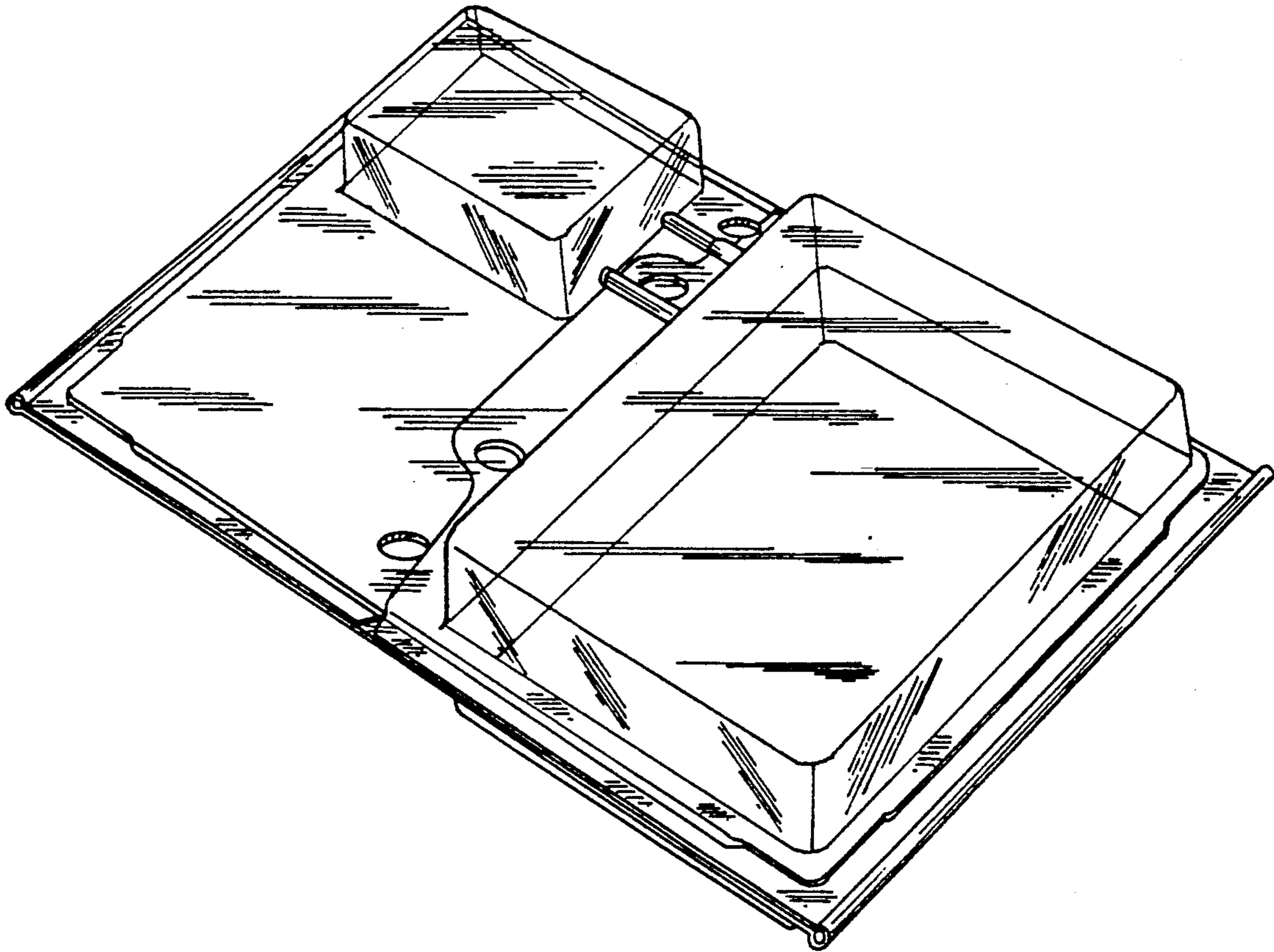
DESCRIPTION

FIG. 1 is a perspective view of a clam shell package showing our new design;
 FIG. 2 is a front elevation thereof;
 FIG. 3 is a rear elevation thereof;
 FIG. 4 is a left side elevation thereof; the right side elevation being a mirror image thereof;
 FIG. 5 is a top plan view thereof; and,
 FIG. 6 is a bottom plan view thereof.

[56] References Cited

U.S. PATENT DOCUMENTS

D. 305,408	1/1990	LaJoie	D9/415
D. 311,331	10/1990	Diba et al.	D9/415
3,237,836	3/1966	Nowak et al.	206/461
3,278,015	10/1966	Bernstein	206/461 X
3,394,802	7/1968	Hershaft	206/461 X
3,428,171	2/1969	Blish	206/461 X



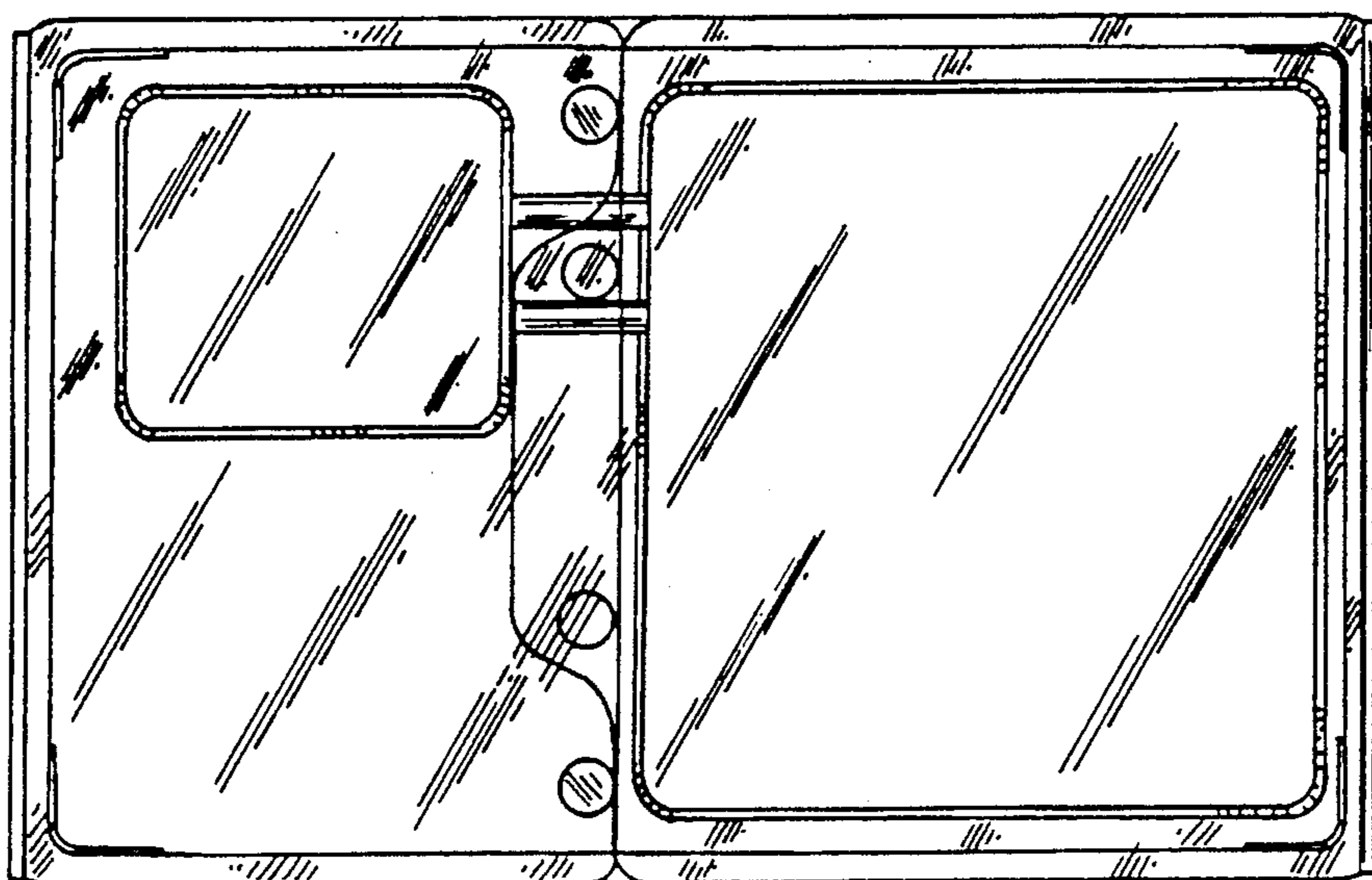


FIG. 2

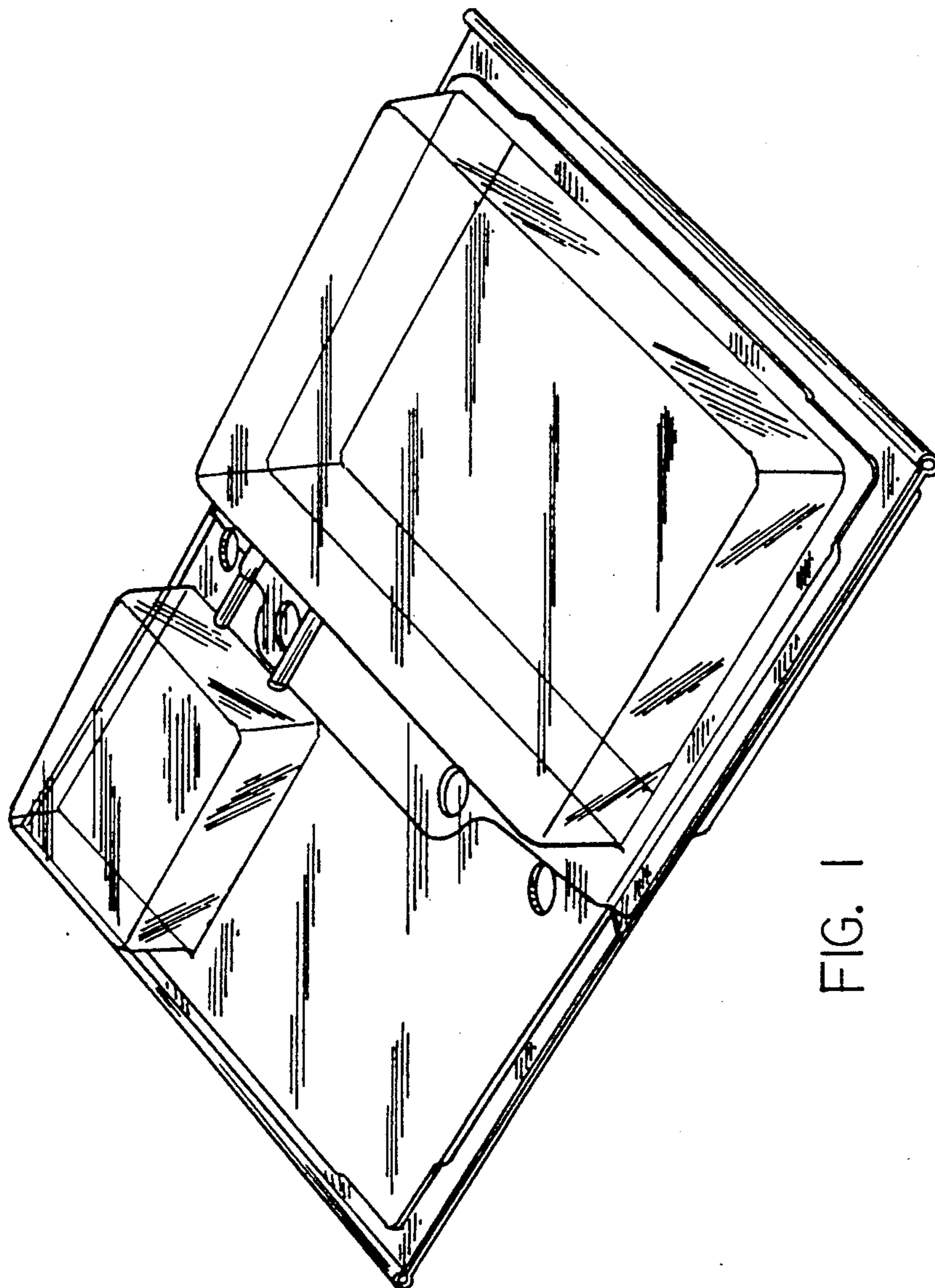


FIG. 1

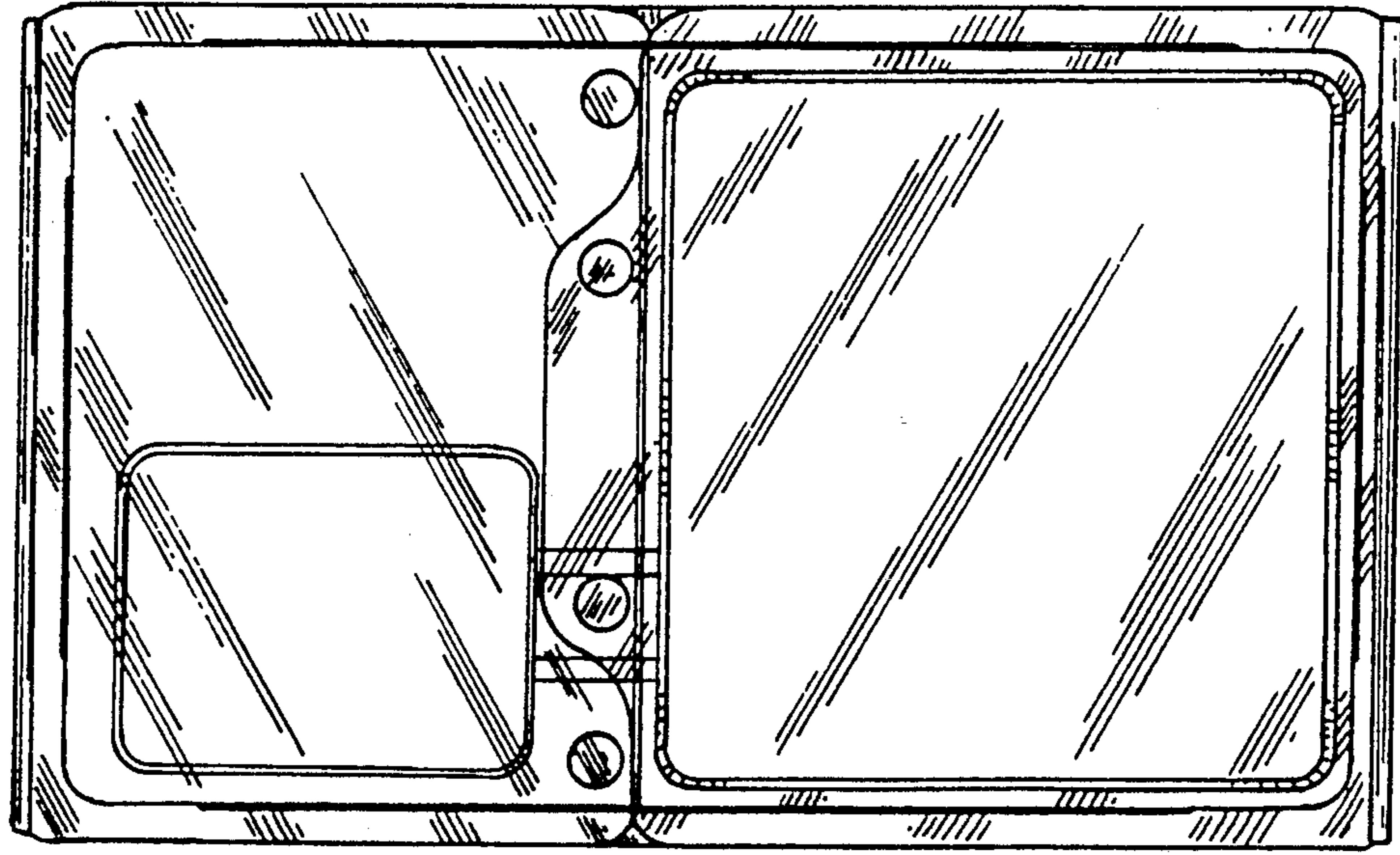


FIG. 3

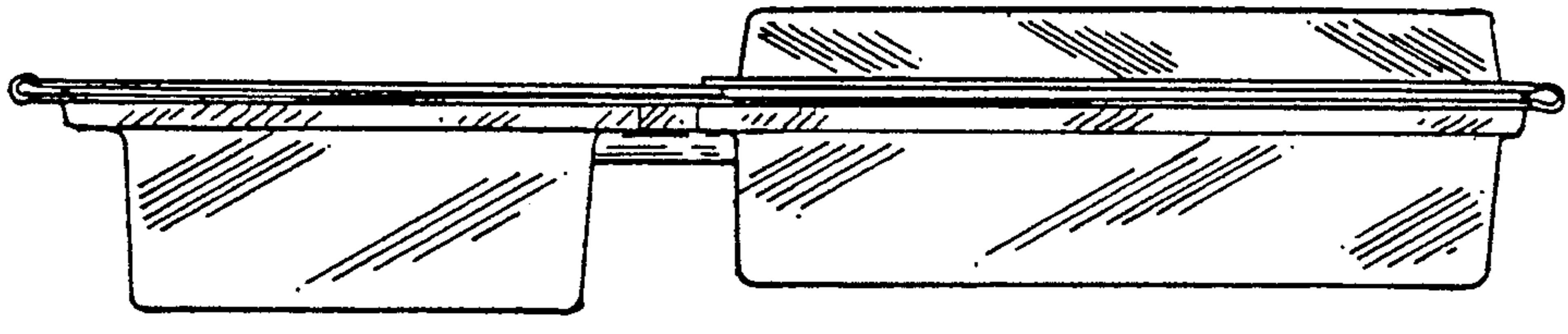


FIG. 4

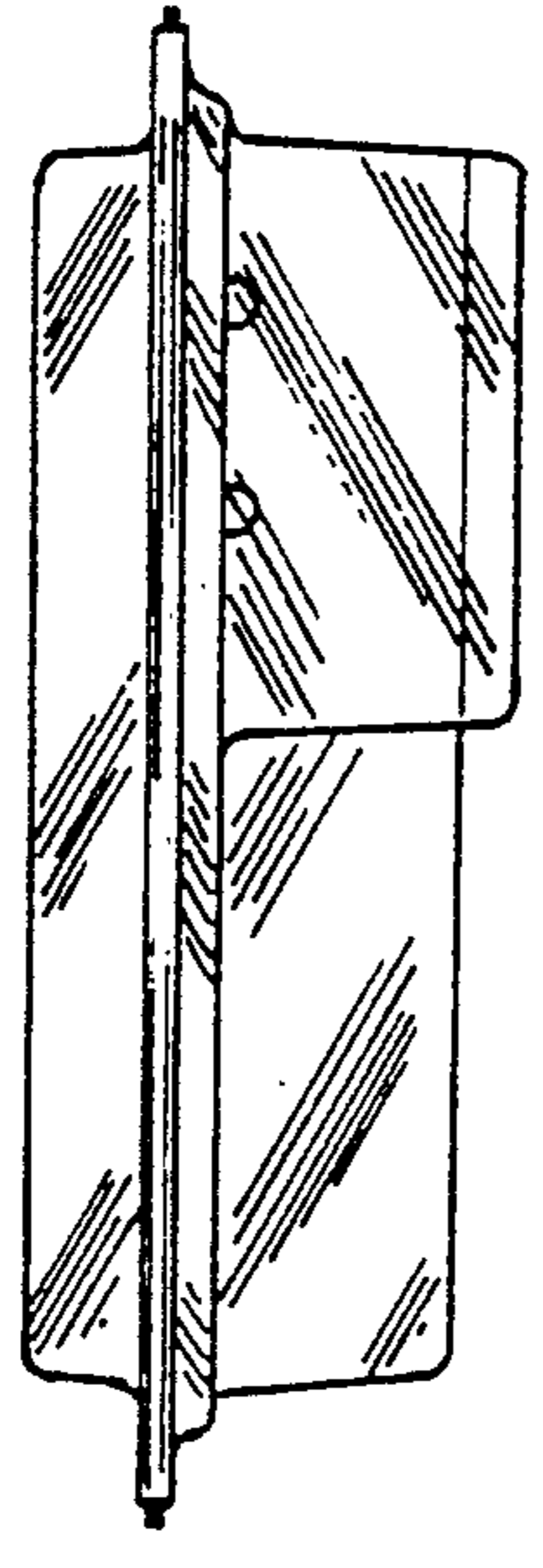


FIG. 5

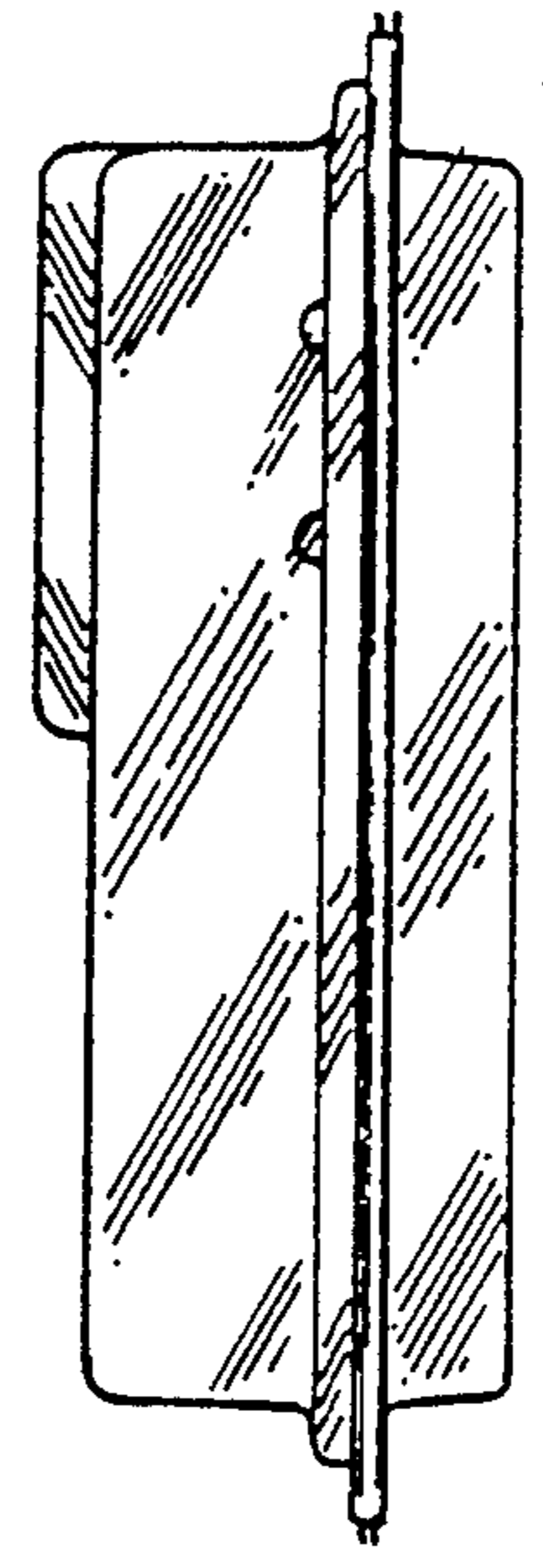


FIG. 6