



US00D327838S

# United States Patent [19]

Rekuc

[11] Patent Number: Des. 327,838

[45] Date of Patent: \*\* Jul. 14, 1992

[54] LUGGAGE ROLLER

[75] Inventor: Richard J. Rekuc, Pattenburg, N.J.

[73] Assignee: Firma Sudhaus Schloss- und Beschlagtechnik GmbH & Co., Iserlohn, Fed. Rep. of Germany

[\*\*] Term: 14 Years

[21] Appl. No.: 644,005

[22] Filed: Jan. 18, 1991

[52] U.S. Cl. .... D8/375

[58] Field of Search ..... D8/375; 16/18

[56] **References Cited**

**U.S. PATENT DOCUMENTS**

D. 207,100	3/1967	Haydock	16/375
D. 240,503	7/1976	Crescenzi et al.	D8/375
D. 259,996	7/1981	Sheiman et al.	D8/375
D. 275,832	10/1984	Kotkins	D8/375
D. 291,059	7/1987	Mickelson	D8/375
D. 292,873	11/1987	Chen	D8/375
D. 305,500	1/1990	Luttgen	D8/375

D. 306,135	2/1990	Lin et al.	D8/375
3,214,785	11/1965	Chroust	16/18
4,024,600	5/1977	Feinberg	D8/375 X

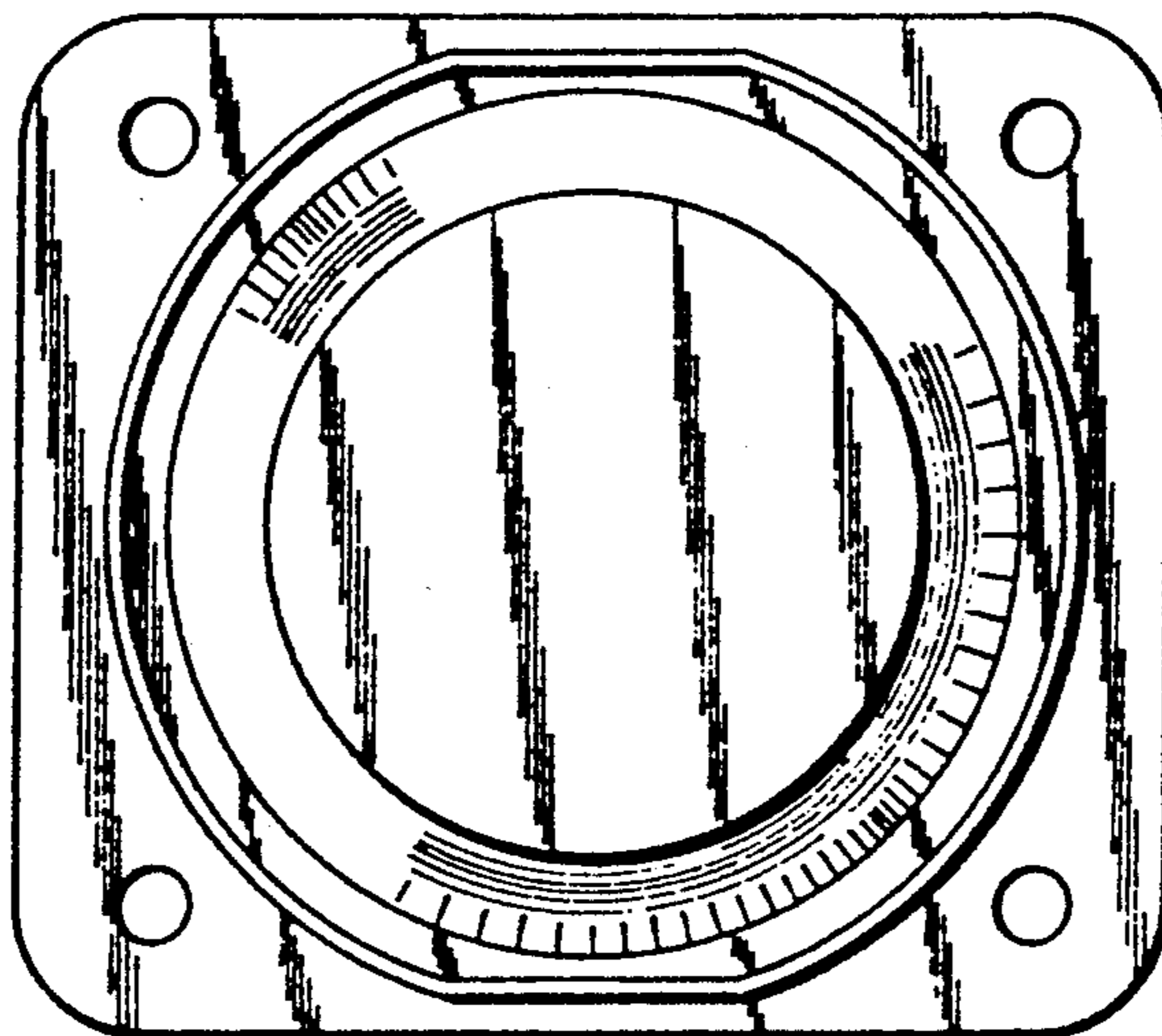
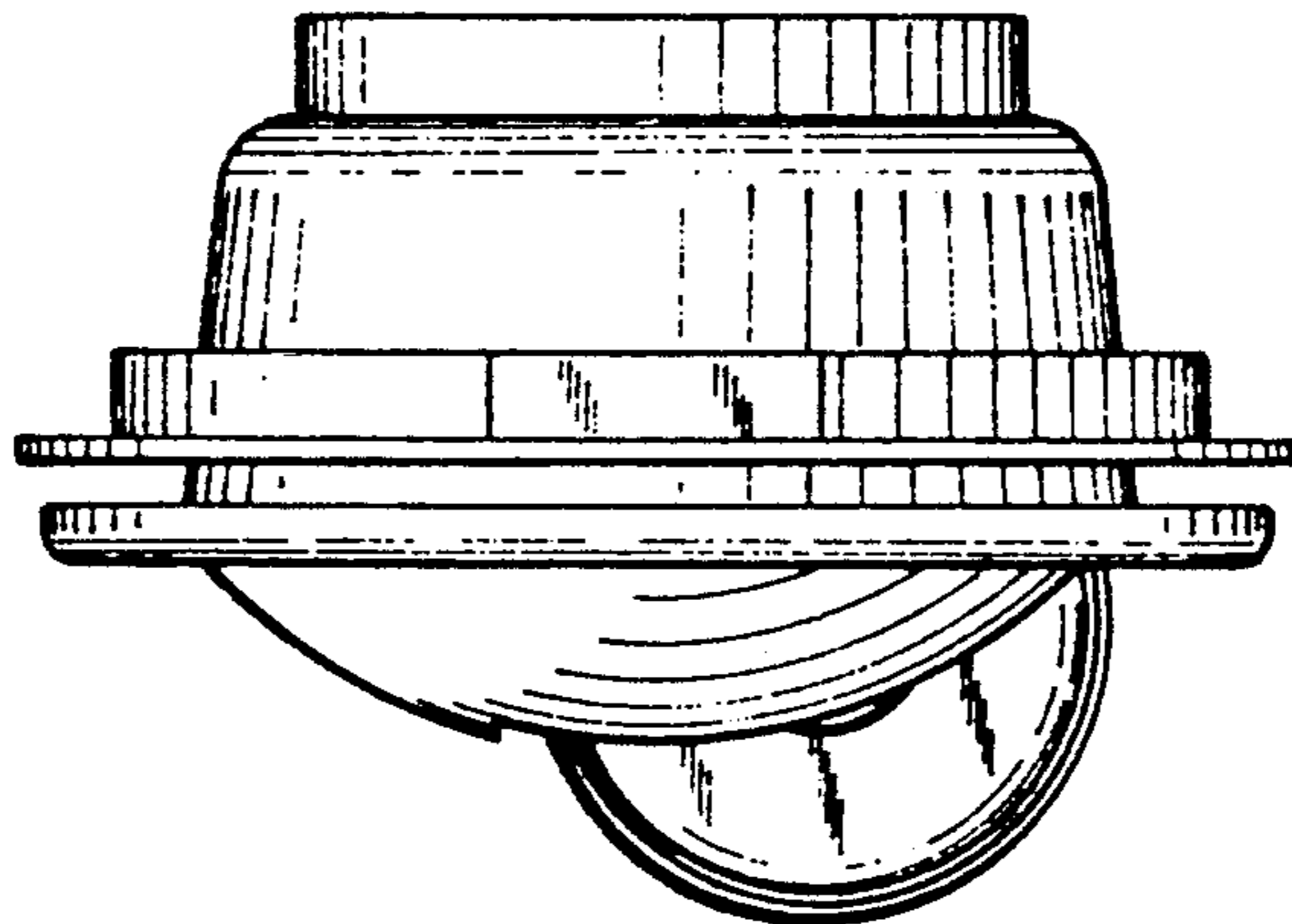
Primary Examiner—Horace B. Fay, Jr.  
Attorney, Agent, or Firm—Herbert Dubno; Ronald Lianides

[57] **CLAIM**

The ornamental design for a luggage roller, as shown and described.

**DESCRIPTION**

FIG. 1 is a bottom plan view of a first embodiment of a luggage roller showing my new design; FIG. 2 is a side elevational view thereof; the side opposite being a mirror image; FIG. 3 is a front elevational view thereof; FIG. 4 is a top plan view thereof; FIG. 5 is a bottom plan view of a second embodiment of the luggage roller showing my new design; FIG. 6 is a side elevational view thereof; FIG. 7 is a front elevational view thereof; and, FIG. 8 is a top plan view thereof.



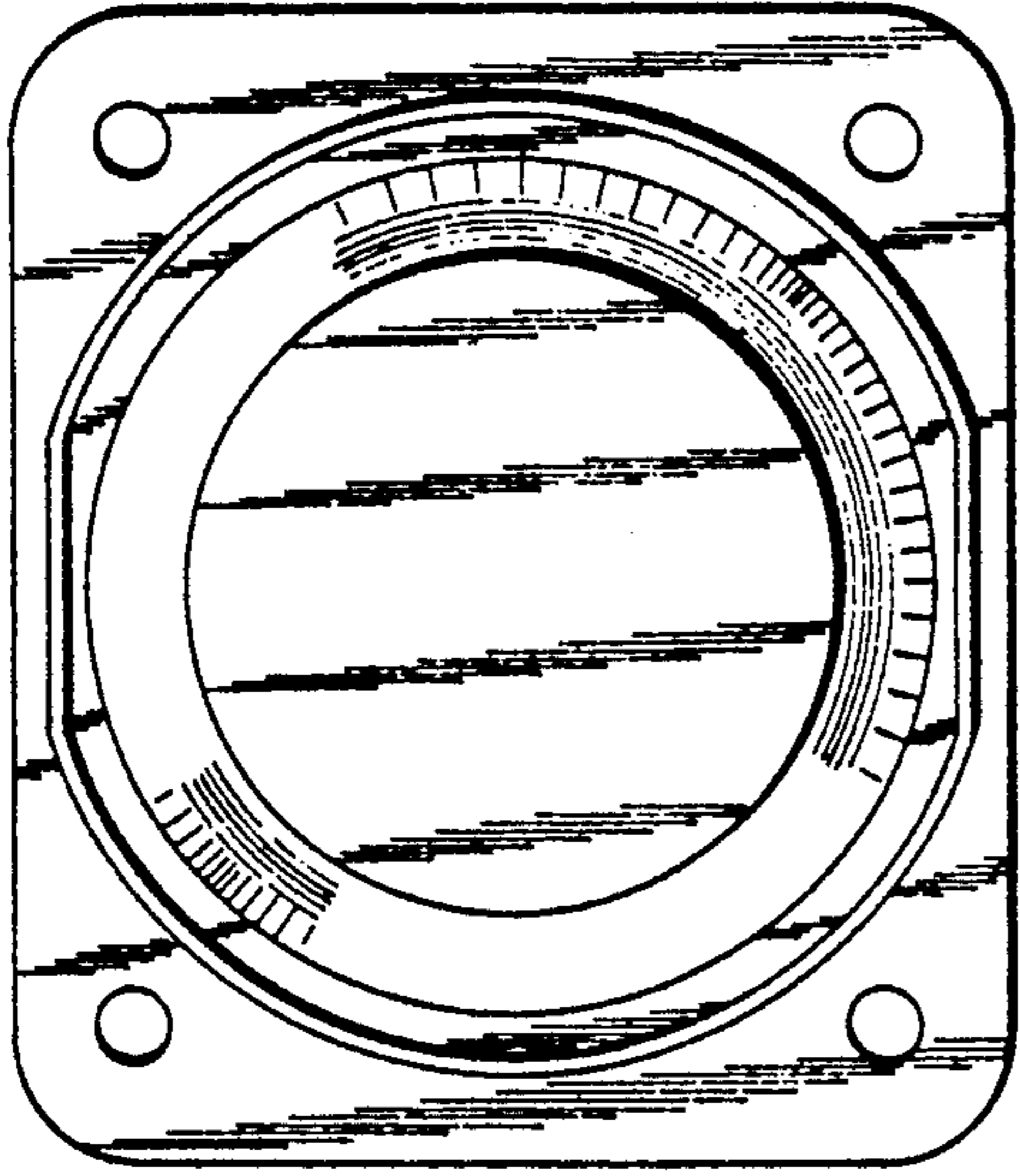


FIG. 4

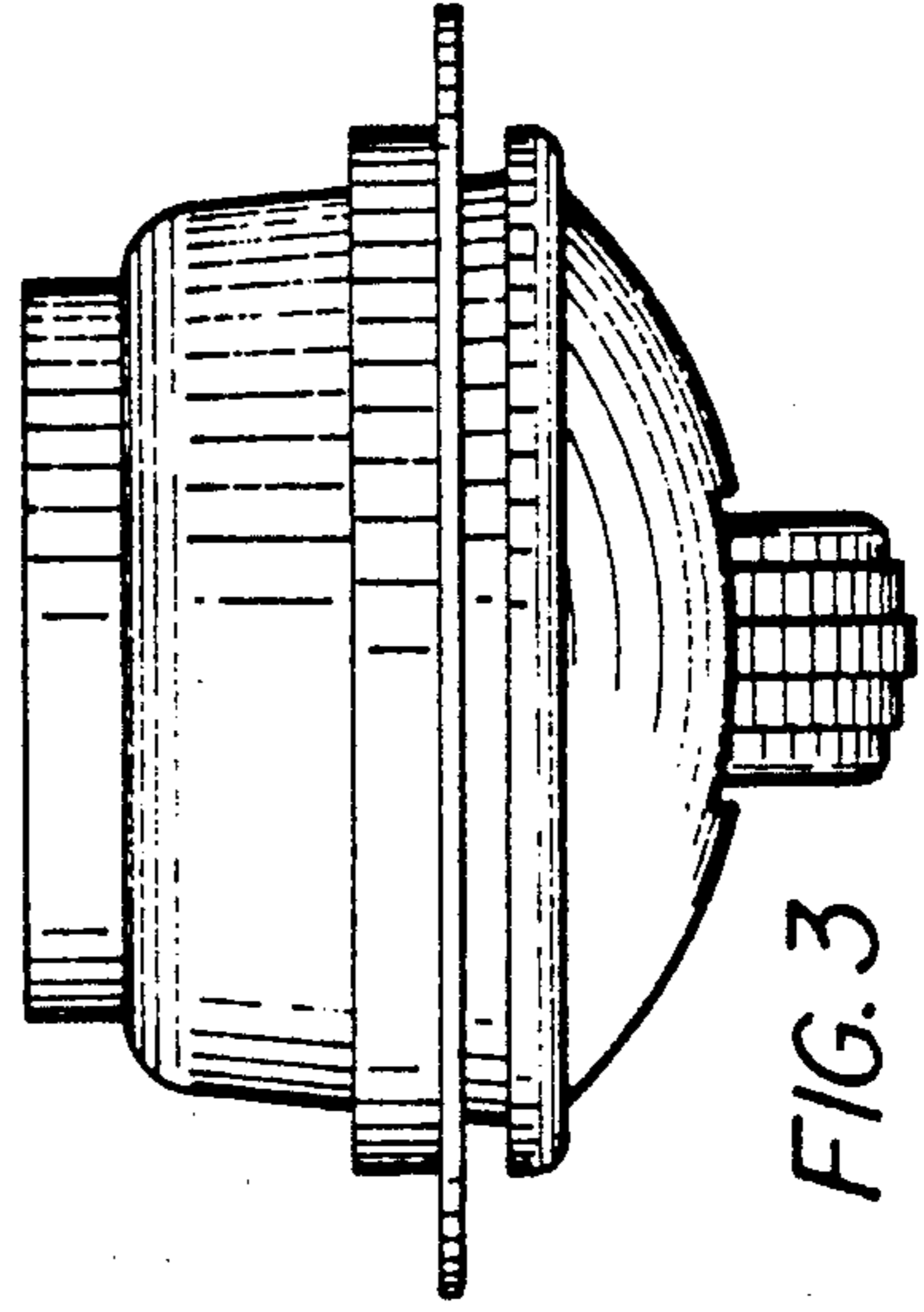


FIG. 3

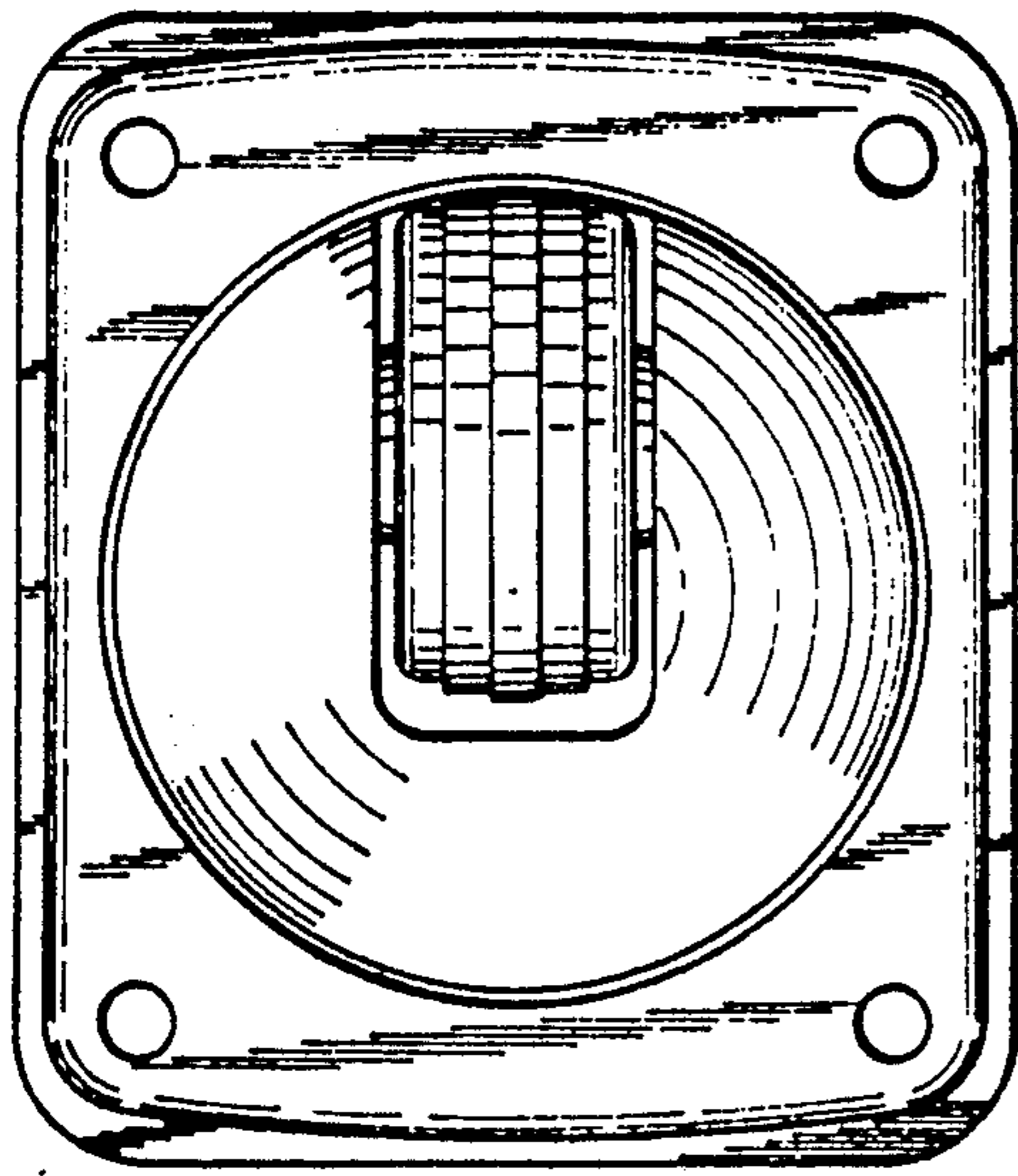


FIG. 1

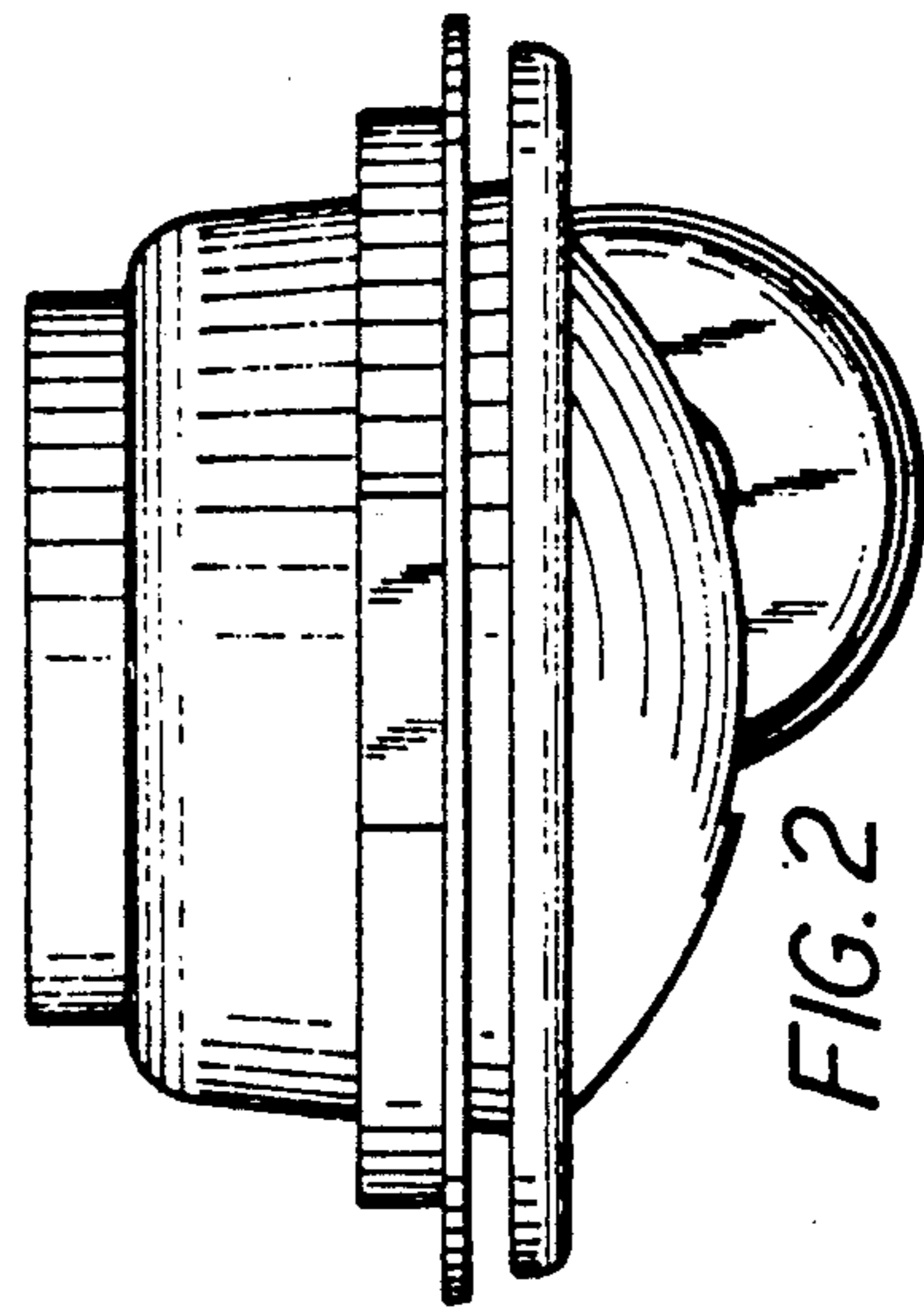


FIG. 2

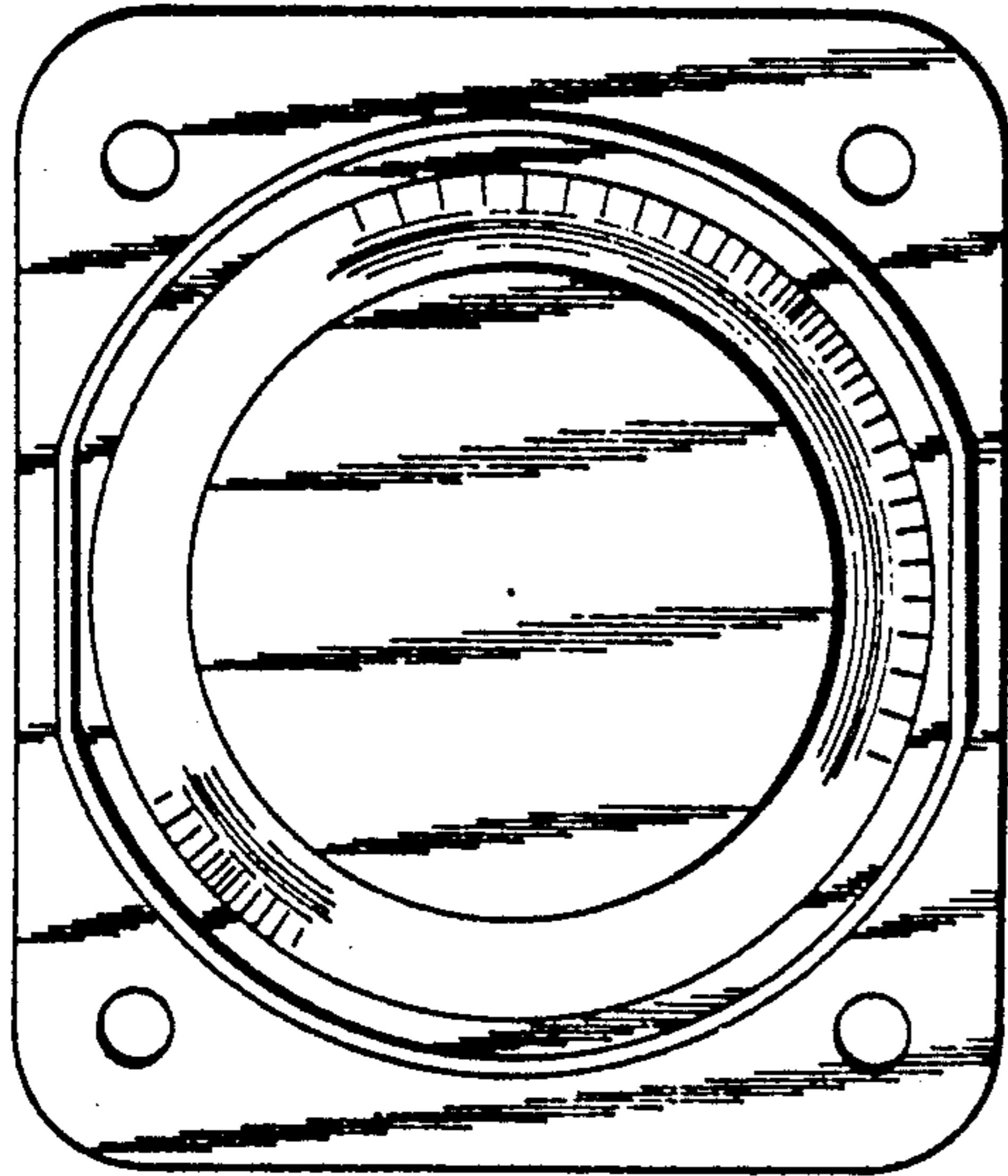


FIG. 8

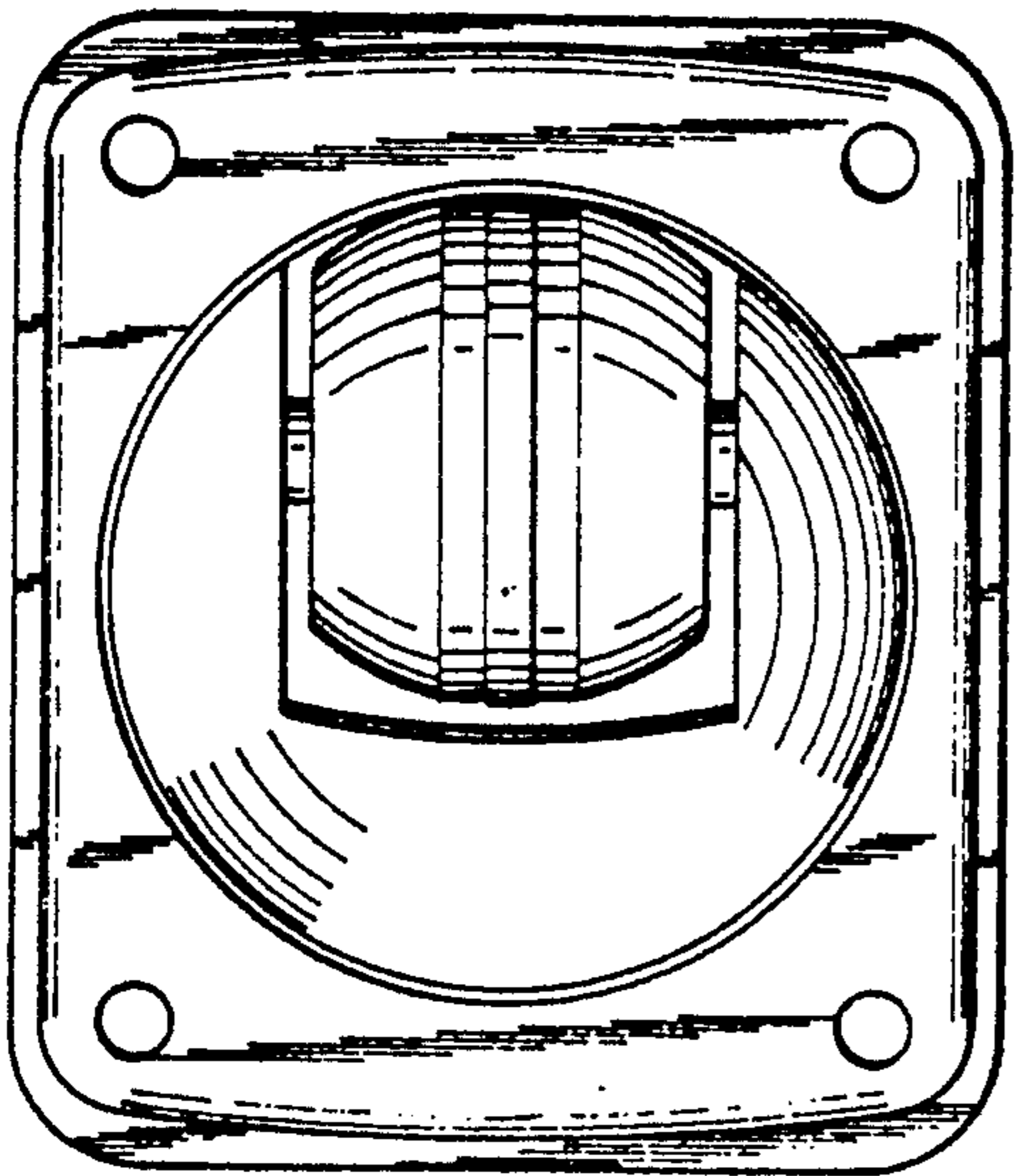


FIG. 5

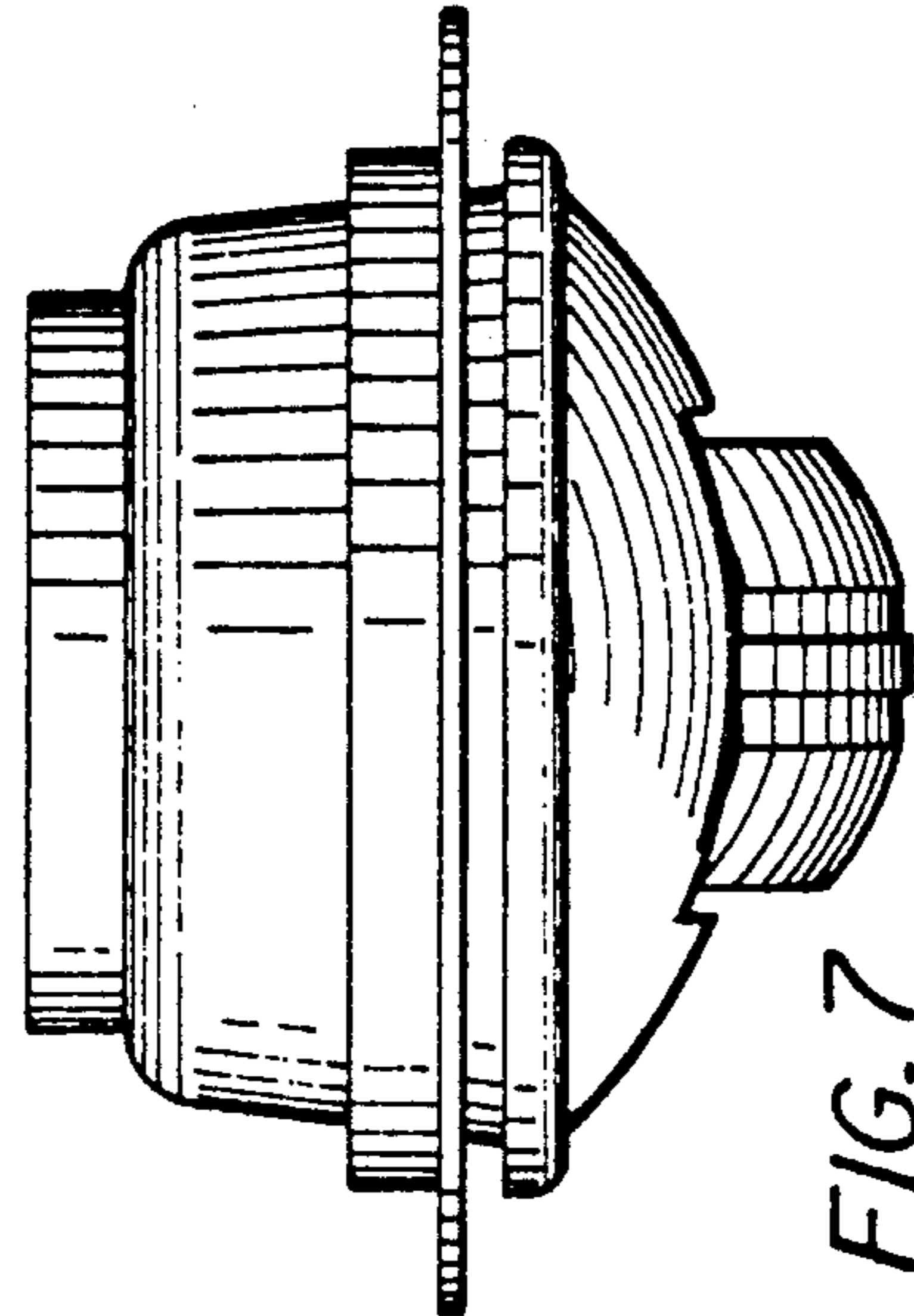


FIG. 7

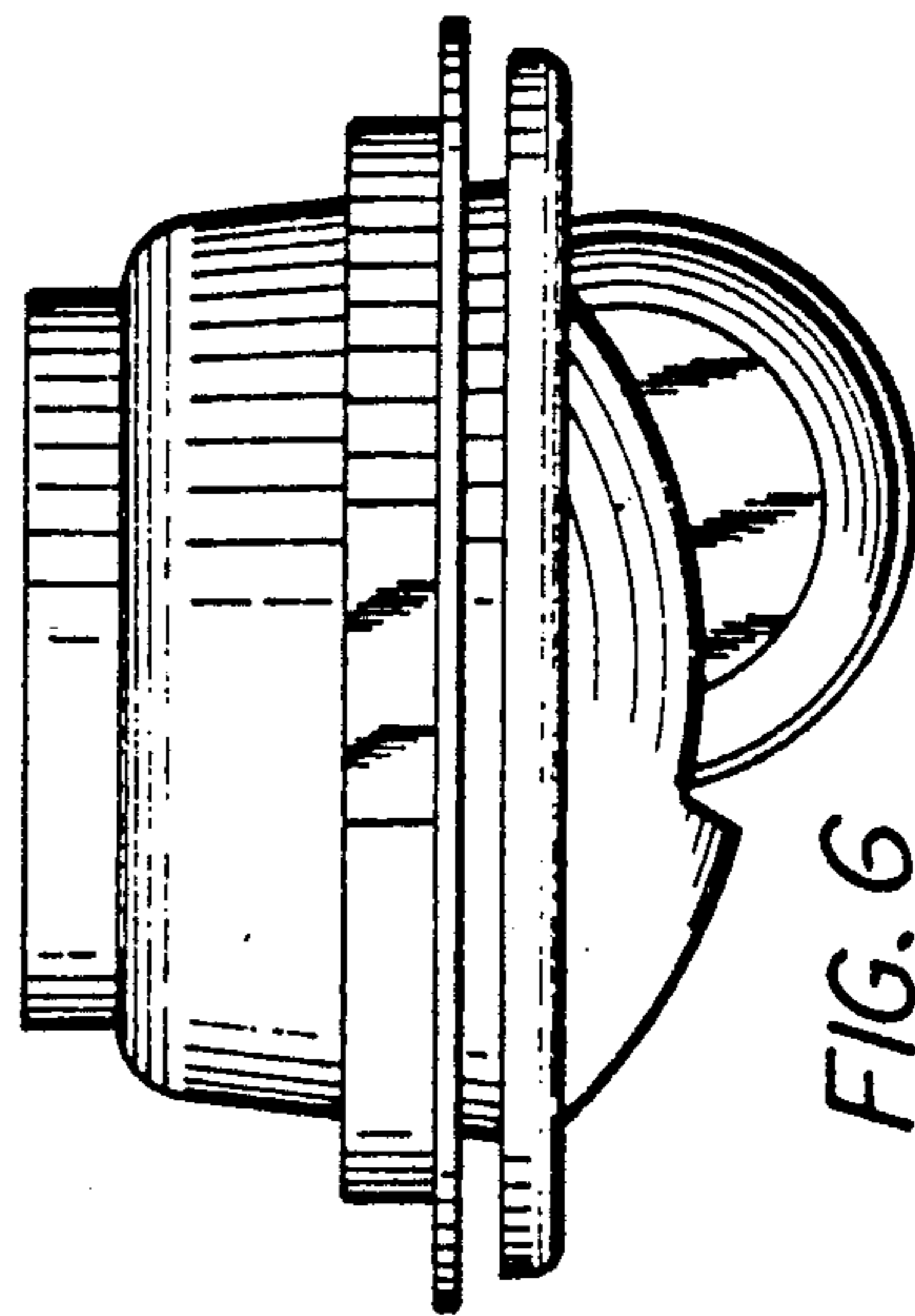


FIG. 6