



US00D327831S

United States Patent [19]

[11] Patent Number: Des. 327,831

Zehm

[45] Date of Patent: ** Jul. 14, 1992

- [54] SLIDE BAR EXTENSION FOR TILE SAW
- [76] Inventor: John S. Zehm, 238 Foresthill Ave.,
Auburn, Calif. 95603
- [**] Term: 14 Years
- [21] Appl. No.: 516,876
- [22] Filed: Apr. 30, 1990
- [52] U.S. Cl. D8/70
- [58] Field of Search D8/61, 70, 71; 83/821,
83/745, 574, 474

Primary Examiner—Donald P. Walsh
Assistant Examiner—J. H. Musgrove
Attorney, Agent, or Firm—Lothrop & West

[57] CLAIM

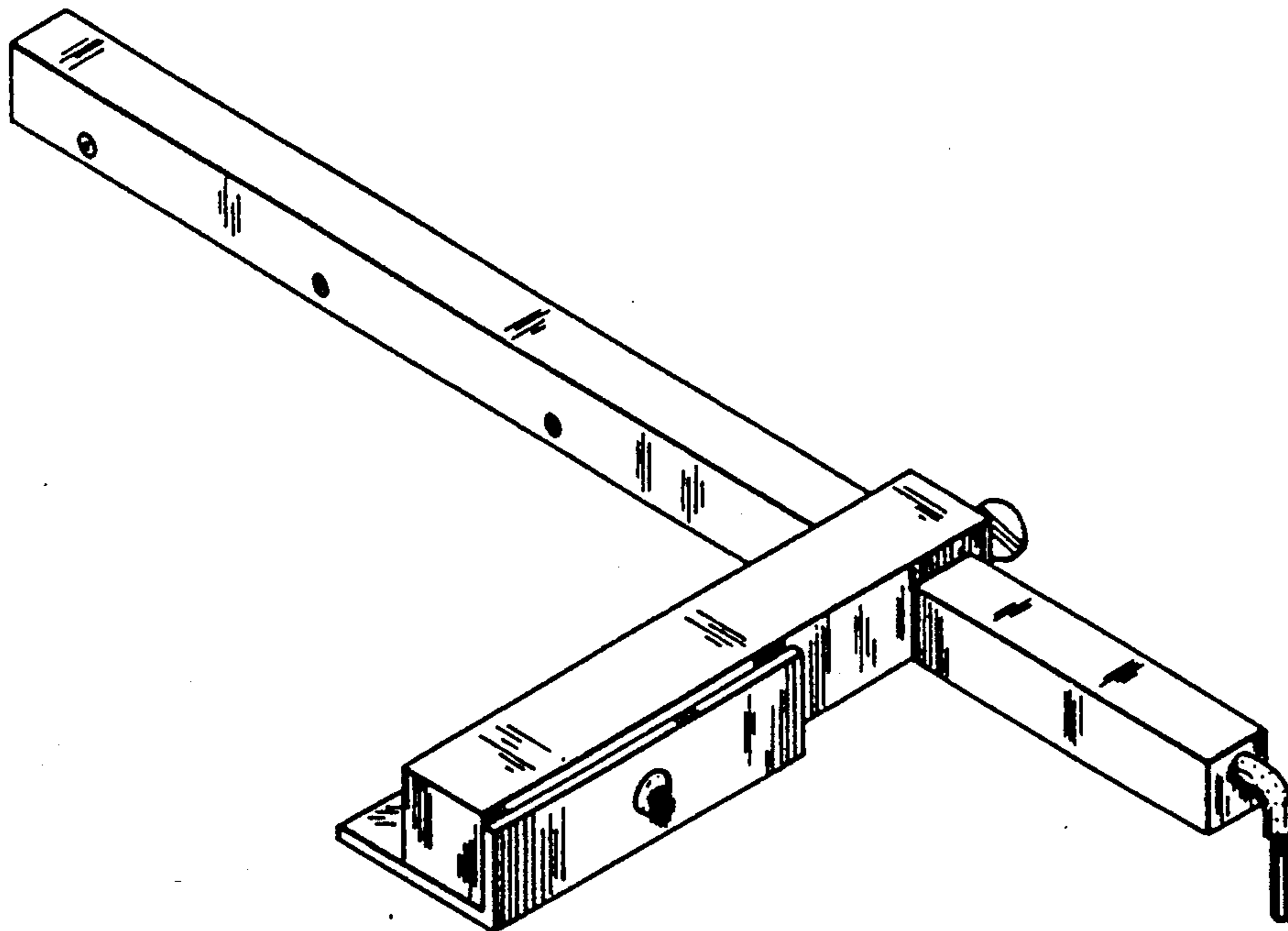
The ornamental design for a slide bar extension for tile saw, as shown and described.

DESCRIPTION

FIG. 1 is a top, front and right-side perspective view of a slide bar extension for tile saw showing my new design;
 FIG. 2 is a front elevational view;
 FIG. 3 is a left side elevational view;
 FIG. 4 is a right side elevational view;
 FIG. 5 is a rear elevational view;
 FIG. 6 is a top plan view;
 FIG. 7 is a bottom plan view;
 FIG. 8 is a front elevational view; and,
 FIG. 9 is a top, front and left-side perspective view, the broken lines are for environmental purposes only and form no part of the claim design.

[56] References Cited
 U.S. PATENT DOCUMENTS

D. 235,967	7/1975	Hildebrandt et al.	D8/71
D. 244,746	6/1977	Stabb	D8/71
D. 245,668	9/1977	Bretthauer	D8/71
D. 268,476	4/1983	Owen	D8/71
D. 282,626	2/1986	Zelli	D8/71
3,903,600	9/1975	Dalton	D8/70 X
3,958,339	5/1976	Thornell	D8/70 X
4,016,649	4/1977	Kloster	D8/70 X



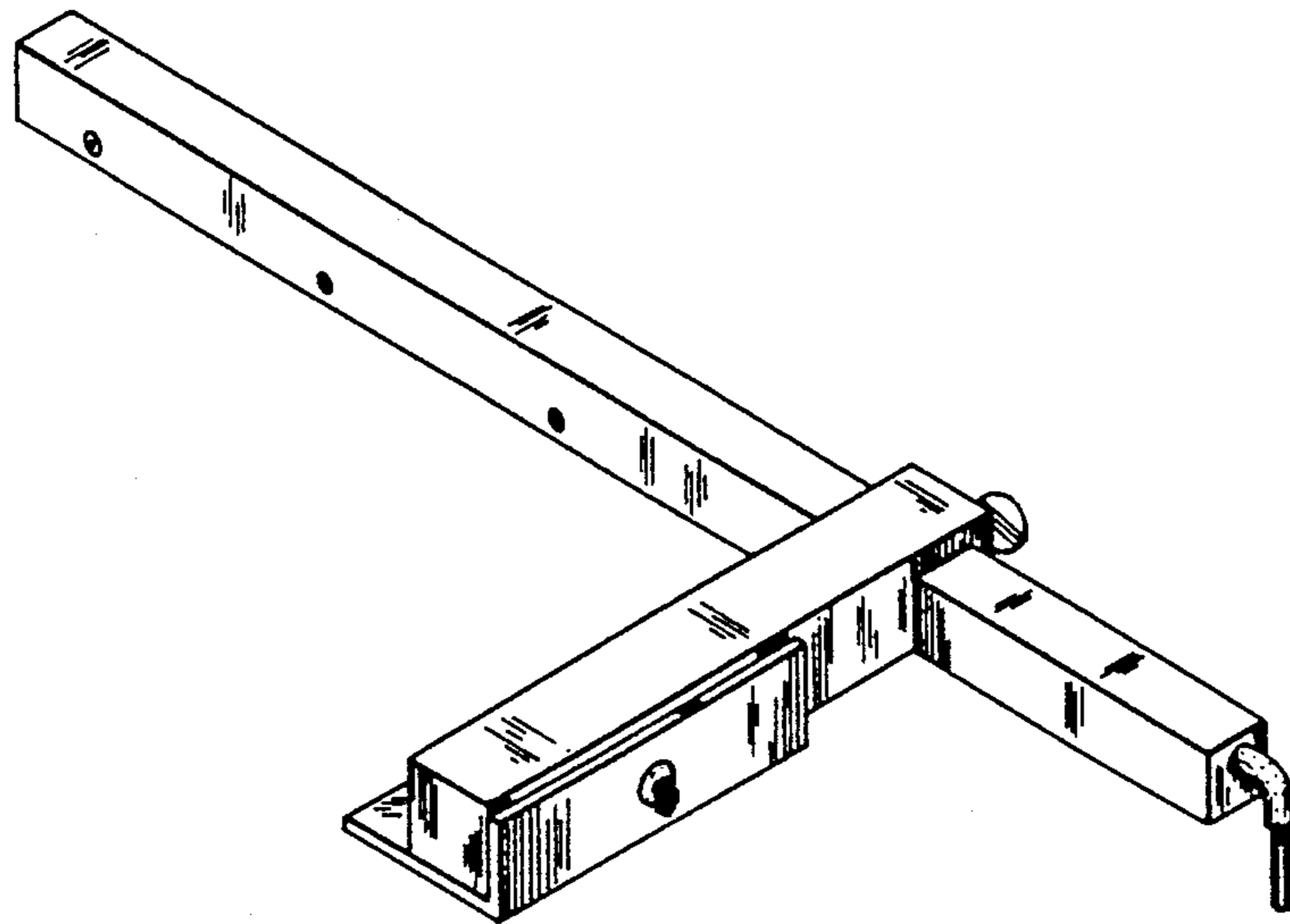


FIG. 1

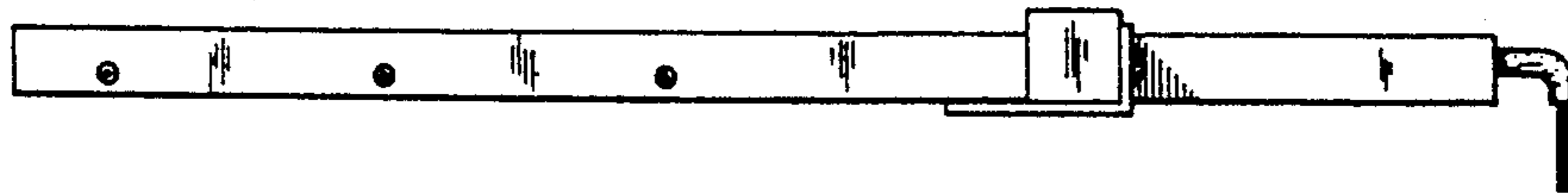


FIG. 2

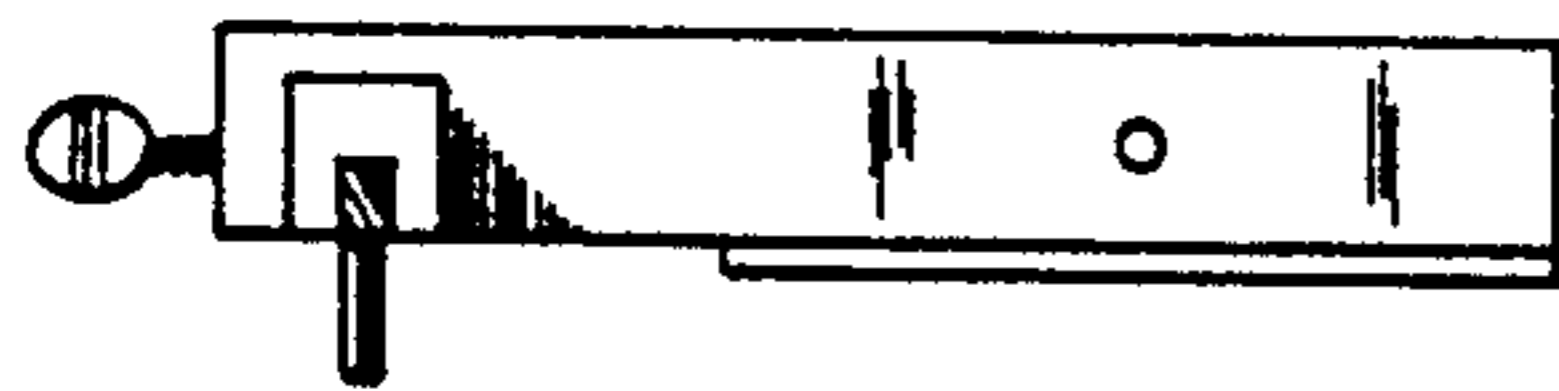


FIG. 3



FIG. 4

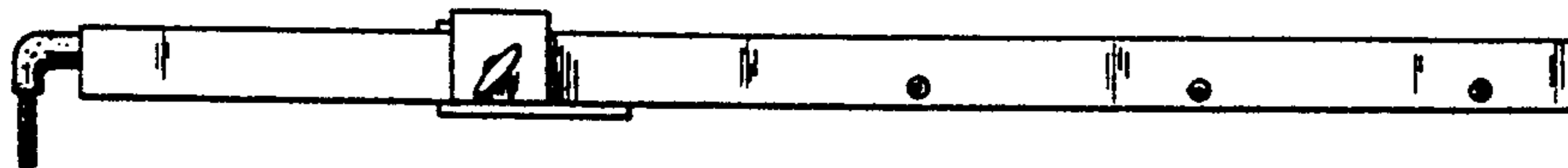


FIG. 5

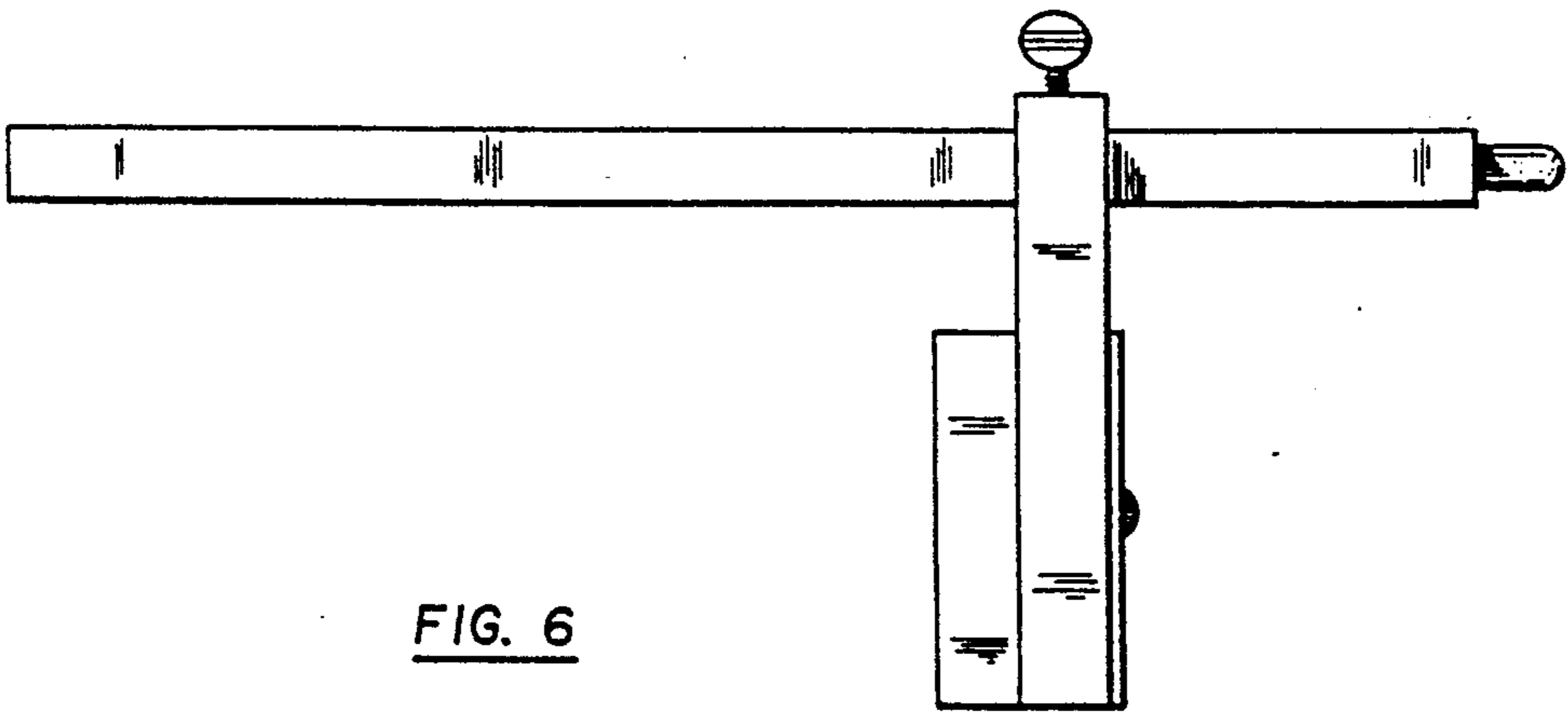


FIG. 6

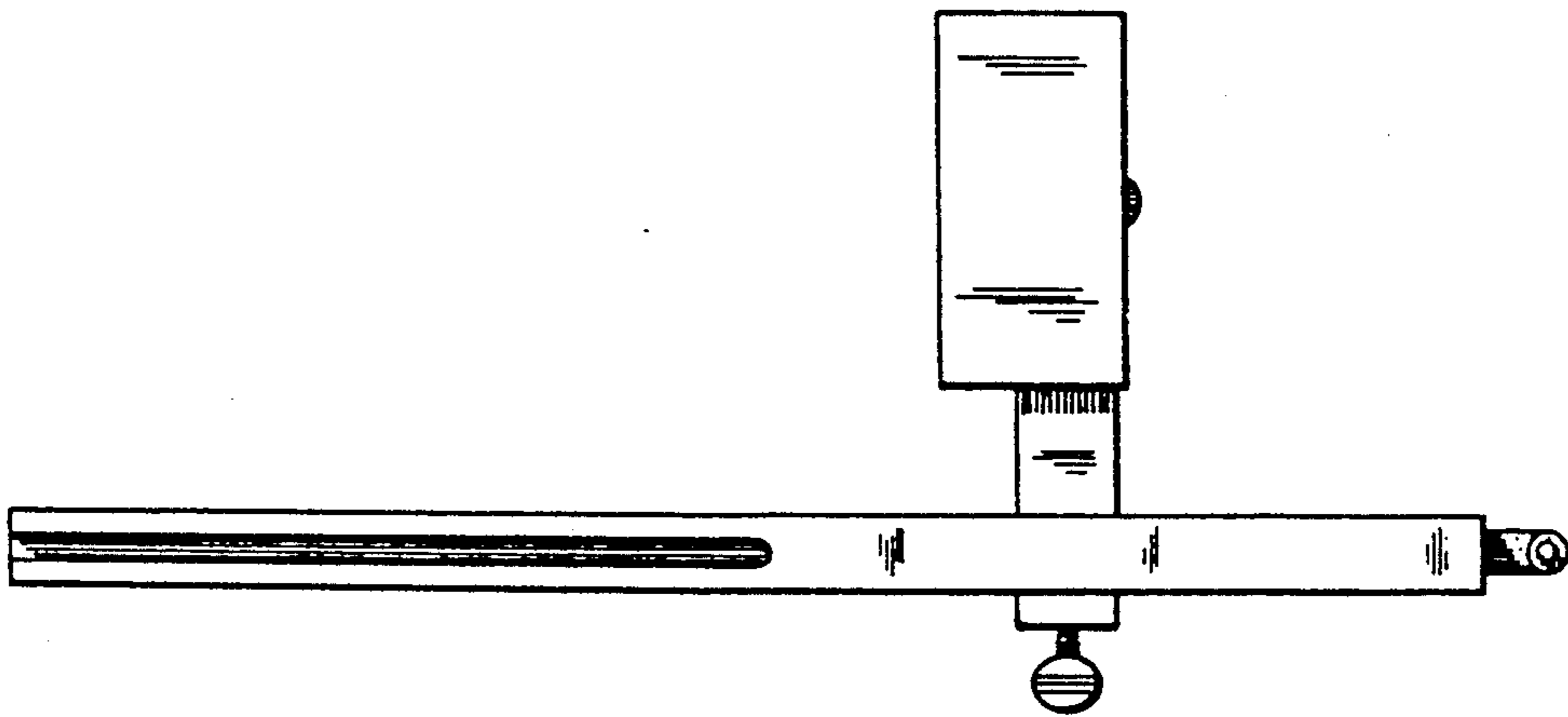


FIG. 7



FIG. 8

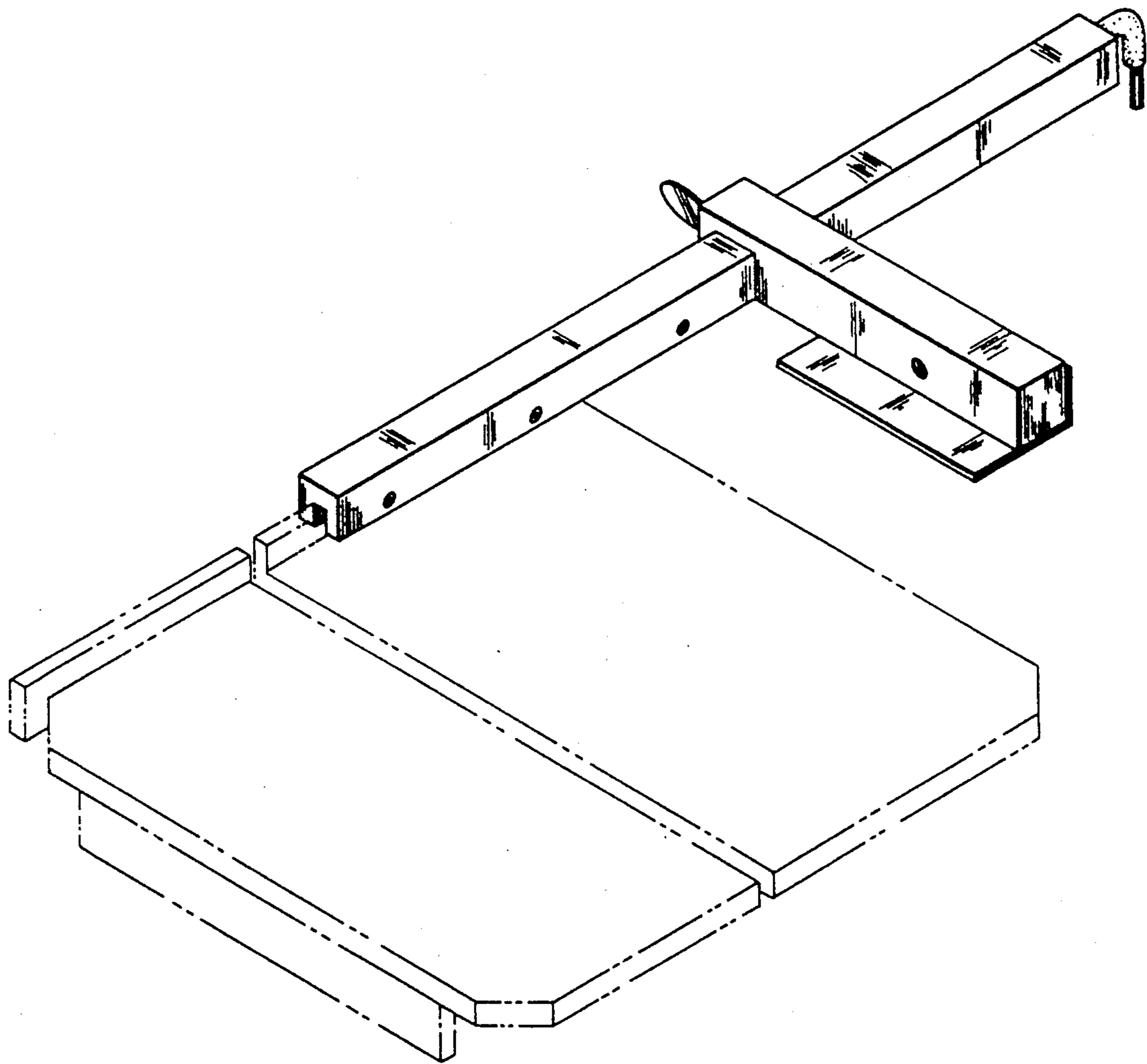


FIG. 9