



US00D327830S

# United States Patent [19]

[11] Patent Number: **Des. 327,830**

Fisher

[45] Date of Patent: **\*\* Jul. 14, 1992**

[54] **PNEUMATIC IMPACT WRENCH**

[75] Inventor: **Irving Fisher, Sherman Oaks, Calif.**

[73] Assignee: **Fisher Tool Co., Inc., Los Angeles, Calif.**

[\*\*] Term: **14 Years**

[21] Appl. No.: **512,370**

[22] Filed: **Apr. 23, 1990**

[52] U.S. Cl. .... **D8/68**

[58] Field of Search ..... **D8/61, 62, 63, 64, 67-71; 81/57.11, 57.14, 54; 310/50; 173/170**

D. 295,714 5/1988 Sasaki et al. .... D8/68  
D. 299,411 1/1989 Porcaro ..... D8/68  
3,352,368 11/1967 Maffey ..... D8/68 X

*Primary Examiner*—Donald P. Walsh  
*Assistant Examiner*—J. H. Musgrove  
*Attorney, Agent, or Firm*—Thomas I. Rozsa

[57] **CLAIM**

The ornamental design for a pneumatic impact wrench, as shown and described.

**DESCRIPTION**

FIG. 1 is a top, front and right-side perspective view of a pneumatic impact wrench showing my new design; FIG. 2 is a rear elevational view; FIG. 3 is a right side elevational view; FIG. 4 is a left side elevational view; FIG. 5 is a front elevational view; FIG. 6 is a top plan view; and, FIG. 7 is a bottom plan view.

[56] **References Cited**

**U.S. PATENT DOCUMENTS**

D. 256,980 9/1980 Adam et al. .... D8/68  
D. 261,222 10/1981 Bunyea ..... D8/68  
D. 288,769 3/1987 Doman ..... D8/68  
D. 294,001 2/1988 Greenlee et al. .... D8/68

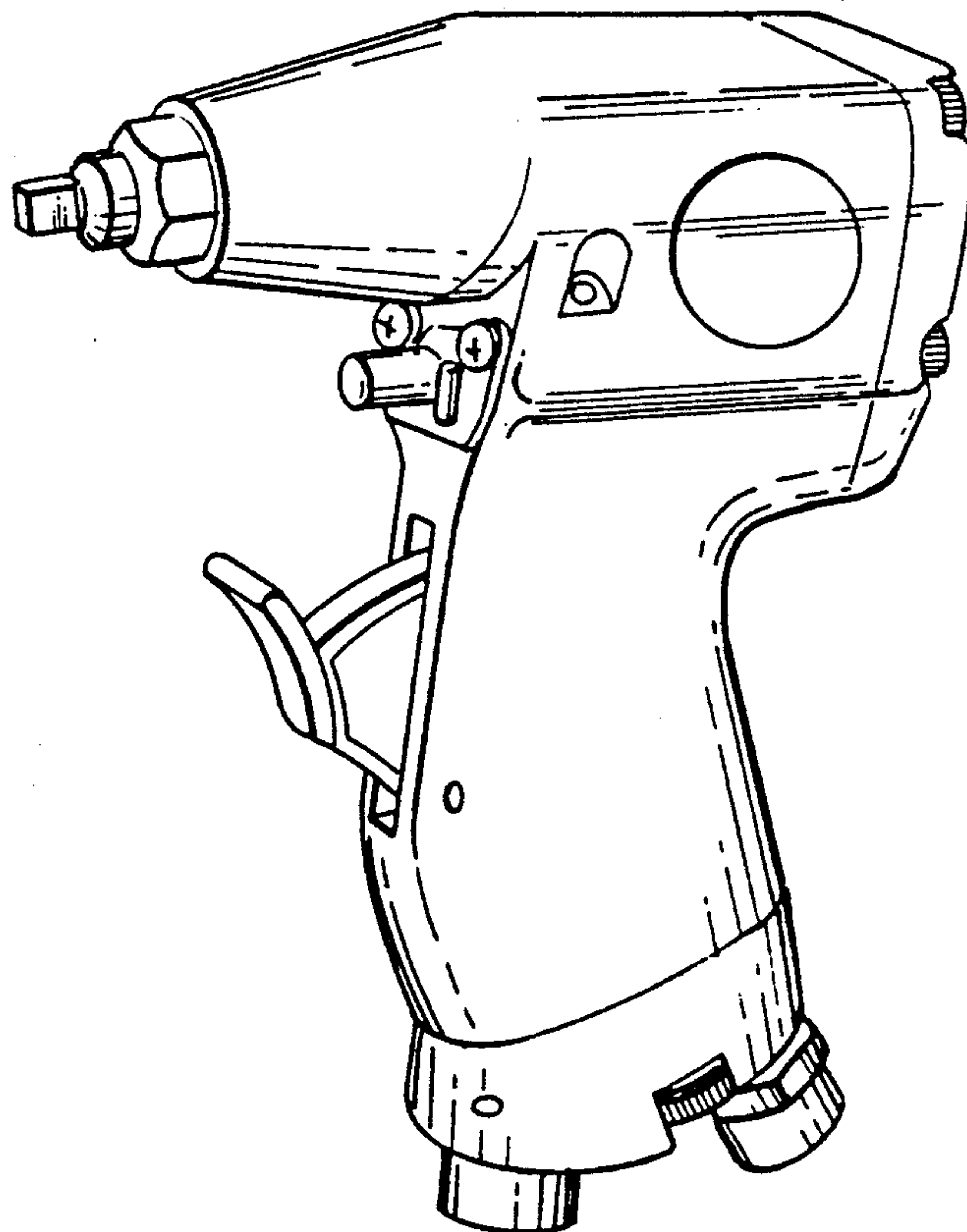


Fig. 1.

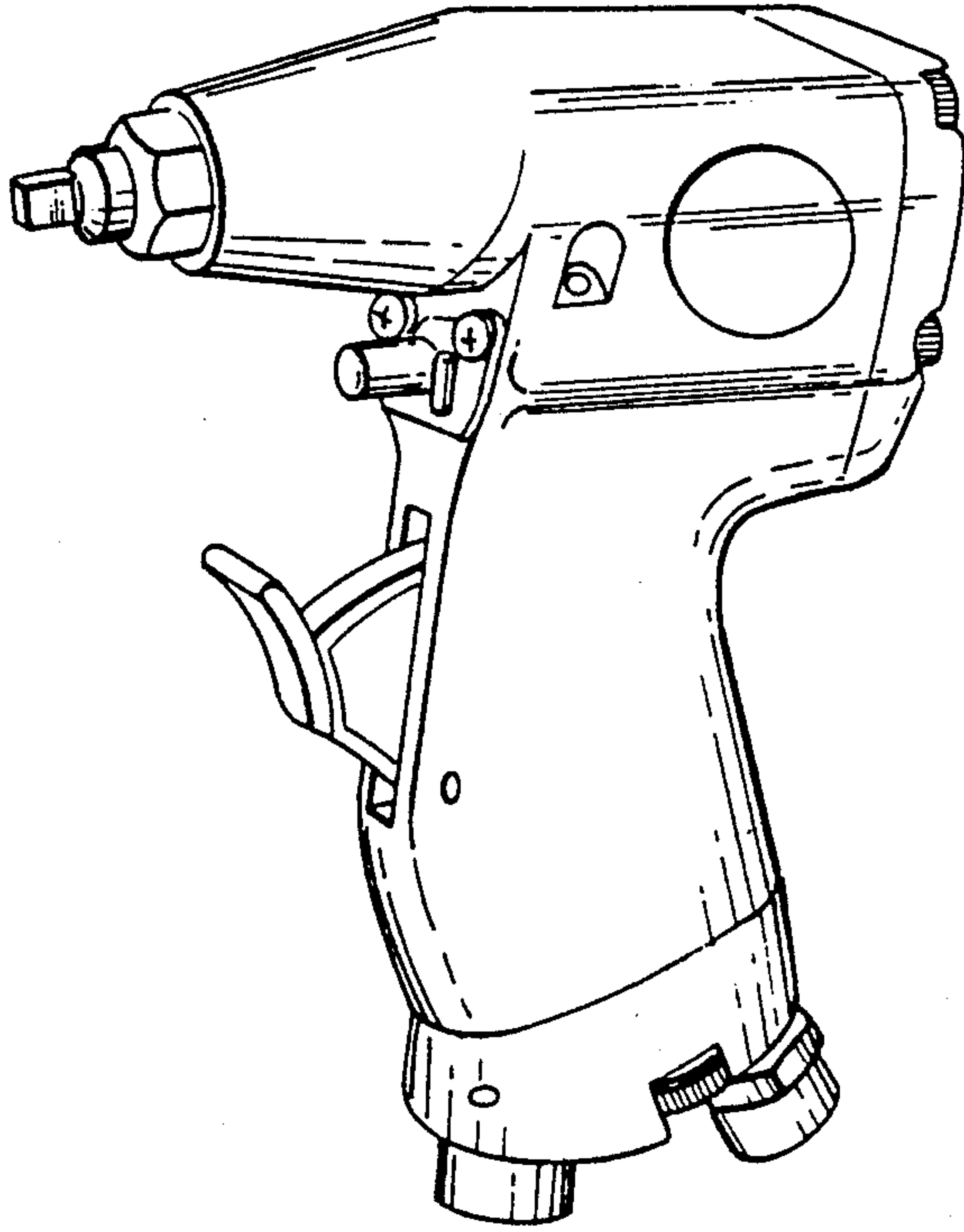


Fig. 2.

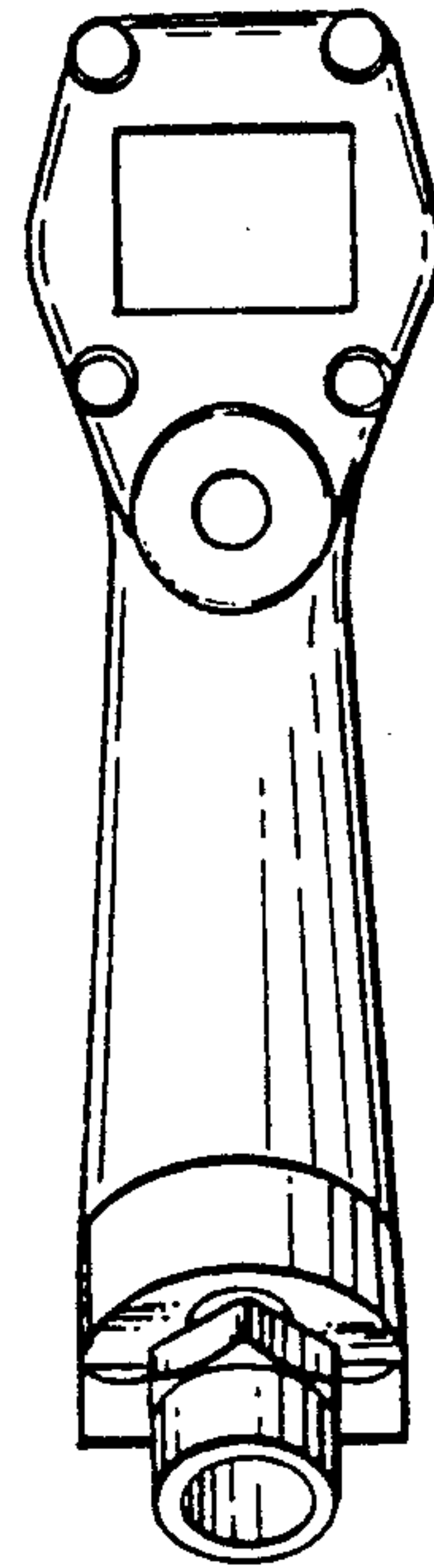


Fig. 3.

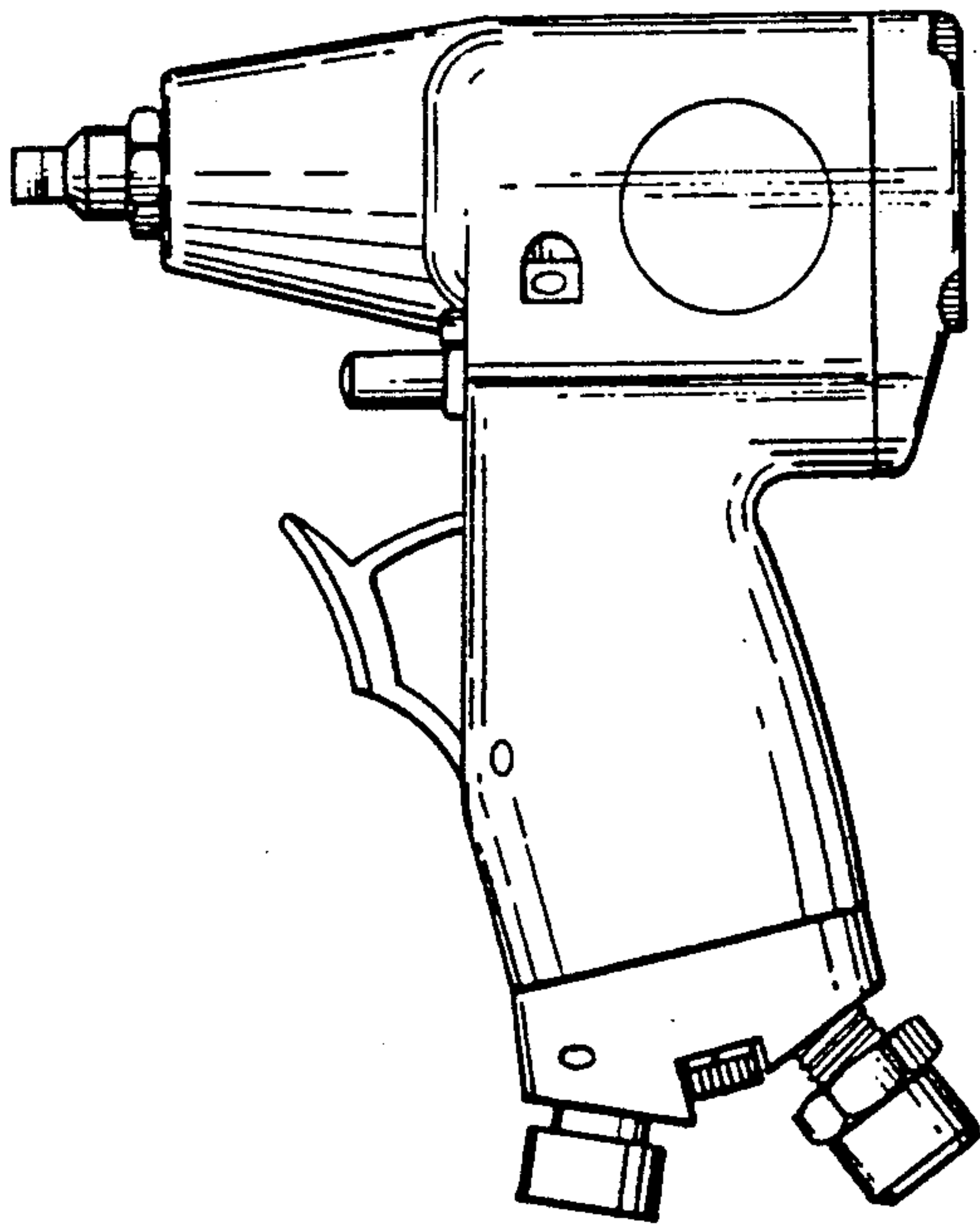
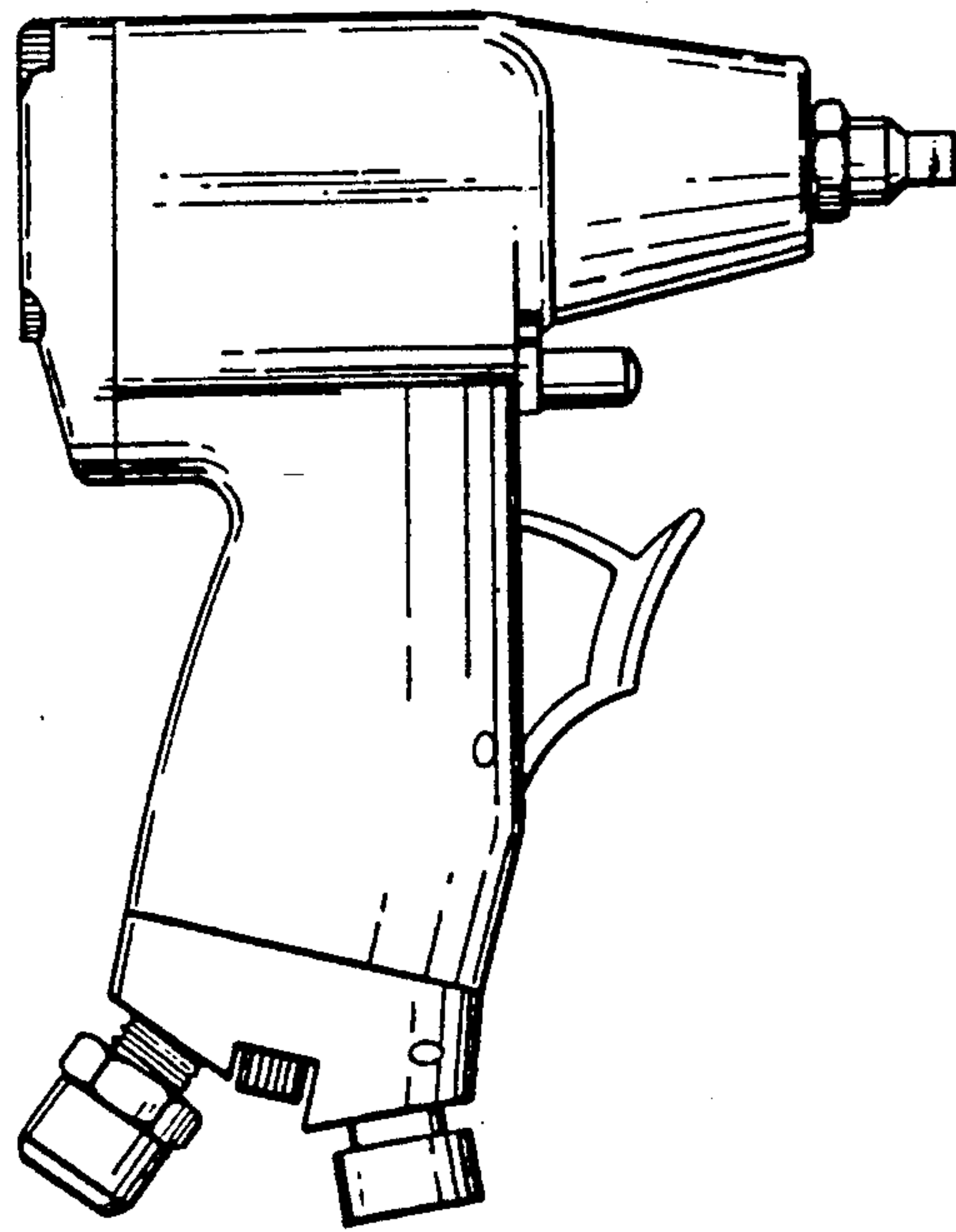


Fig. 4.



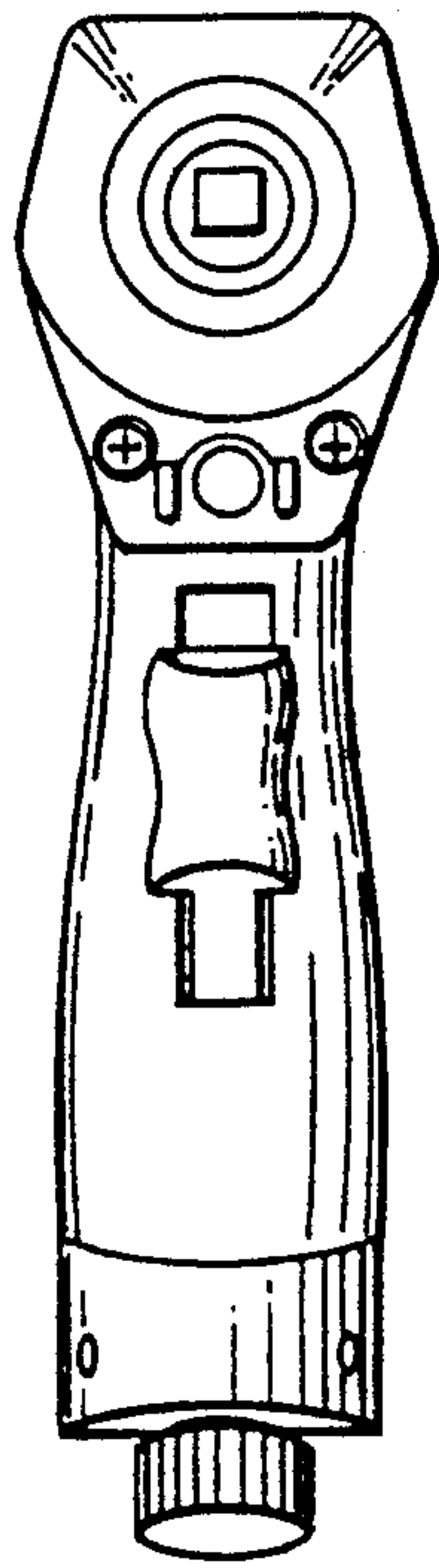


Fig. 5.

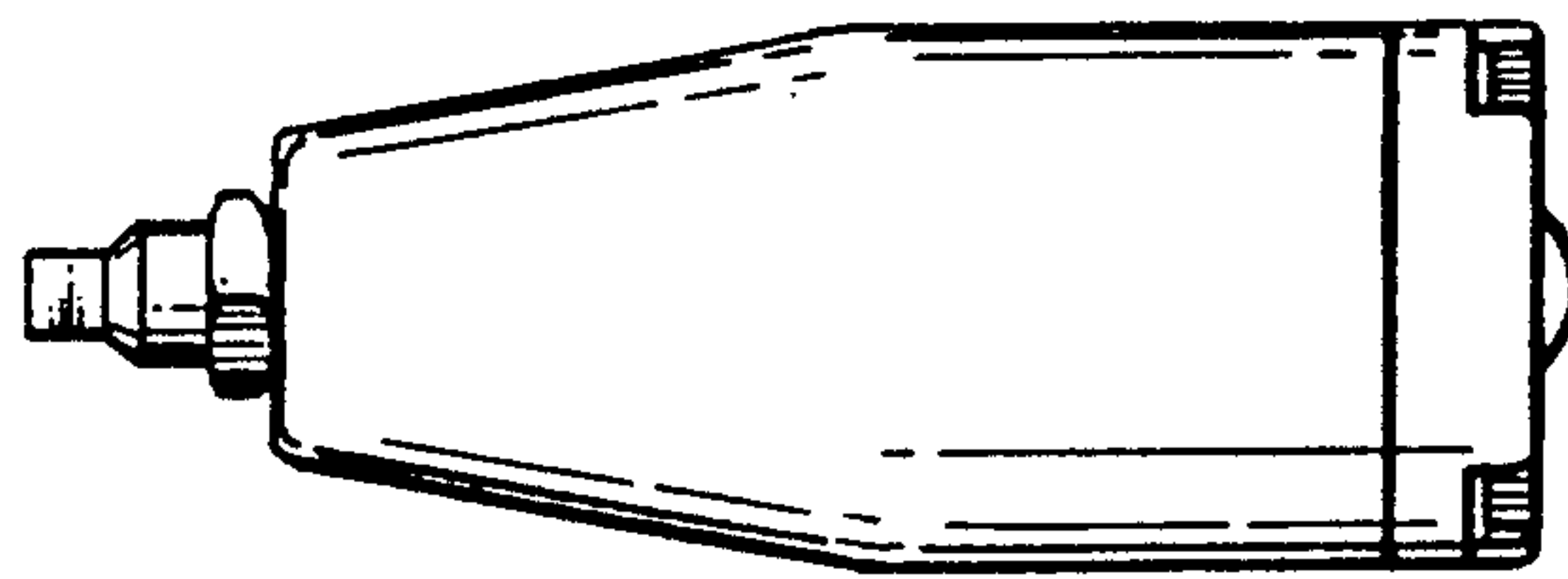


Fig. 6.

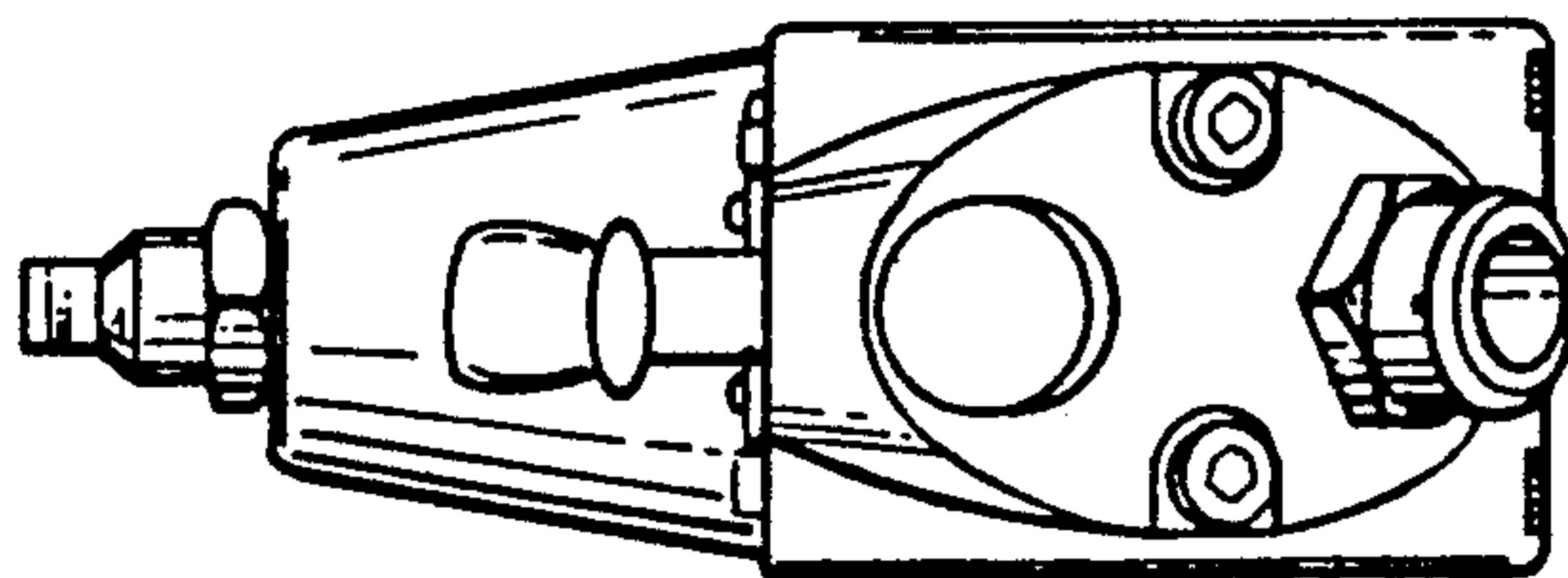


Fig. 7.