



US00D327828S

# United States Patent [19]

Hoshino et al.

[11] Patent Number: **Des. 327,828**

[45] Date of Patent: **\*\* Jul. 14, 1992**

- [54] CIRCULAR SAW OR THE LIKE
- [75] Inventors: **Kiyoshi Hoshino, Clemson; James R. Sistare, Pickens, both of S.C.**
- [73] Assignee: **Ryobi Motor Products Corp., Pickens, S.C.**
- [\*\*] Term: **14 Years**
- [21] Appl. No.: **476,291**
- [22] Filed: **Feb. 7, 1990**
- [52] U.S. Cl. .... **D8/66**
- [58] Field of Search ..... **D8/66, 69, 61, 68; 30/370, 374, 375, 376, 388, 390, 391**

D. 315,854 4/1991 Kāwakami et al. .... D8/66

*Primary Examiner*—Donald P. Walsh  
*Assistant Examiner*—J. H. Musgrove  
*Attorney, Agent, or Firm*—Brooks & Kushman

### [57] CLAIM

The ornamental design of a circular saw or the like, as shown.

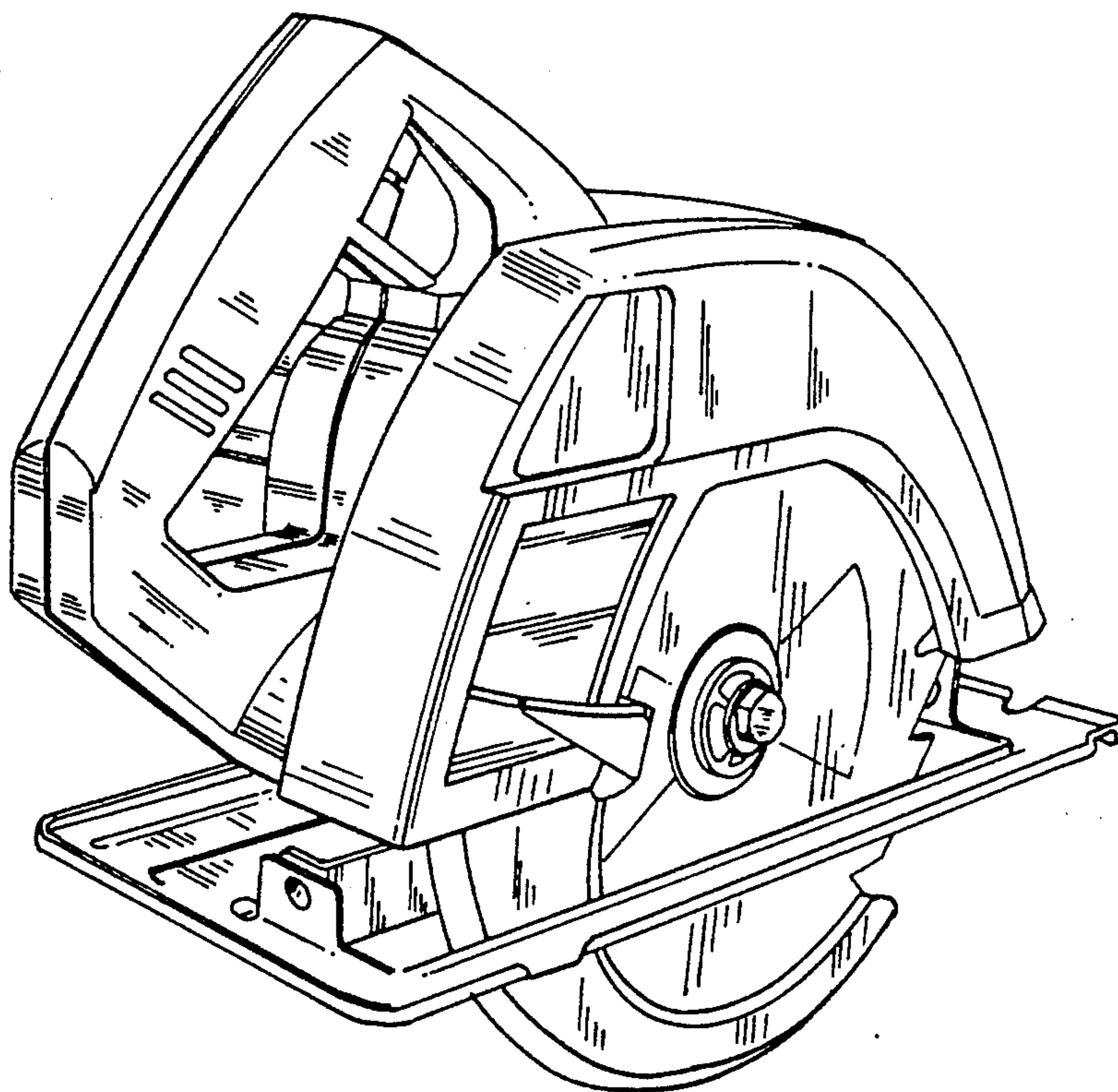
### DESCRIPTION

FIG. 1 is a right side and rear perspective view of a circular saw or the like showing our new design;  
 FIG. 2 is a top, left side and front perspective view thereof;  
 FIG. 3 is a front elevational view thereof;  
 FIG. 4 is a rear elevational view thereof;  
 FIG. 5 is a right side elevational view thereof;  
 FIG. 6 is a left side elevational view thereof;  
 FIG. 7 is a top plan view thereof; and,  
 FIG. 8 is a bottom plan view thereof.

### [56] References Cited

#### U.S. PATENT DOCUMENTS

- D. 251,054 2/1979 Schramm et al. .... D8/66
- D. 262,772 1/1982 Glass et al. .... D8/66
- D. 281,663 12/1985 Tsuru et al. .... D8/66



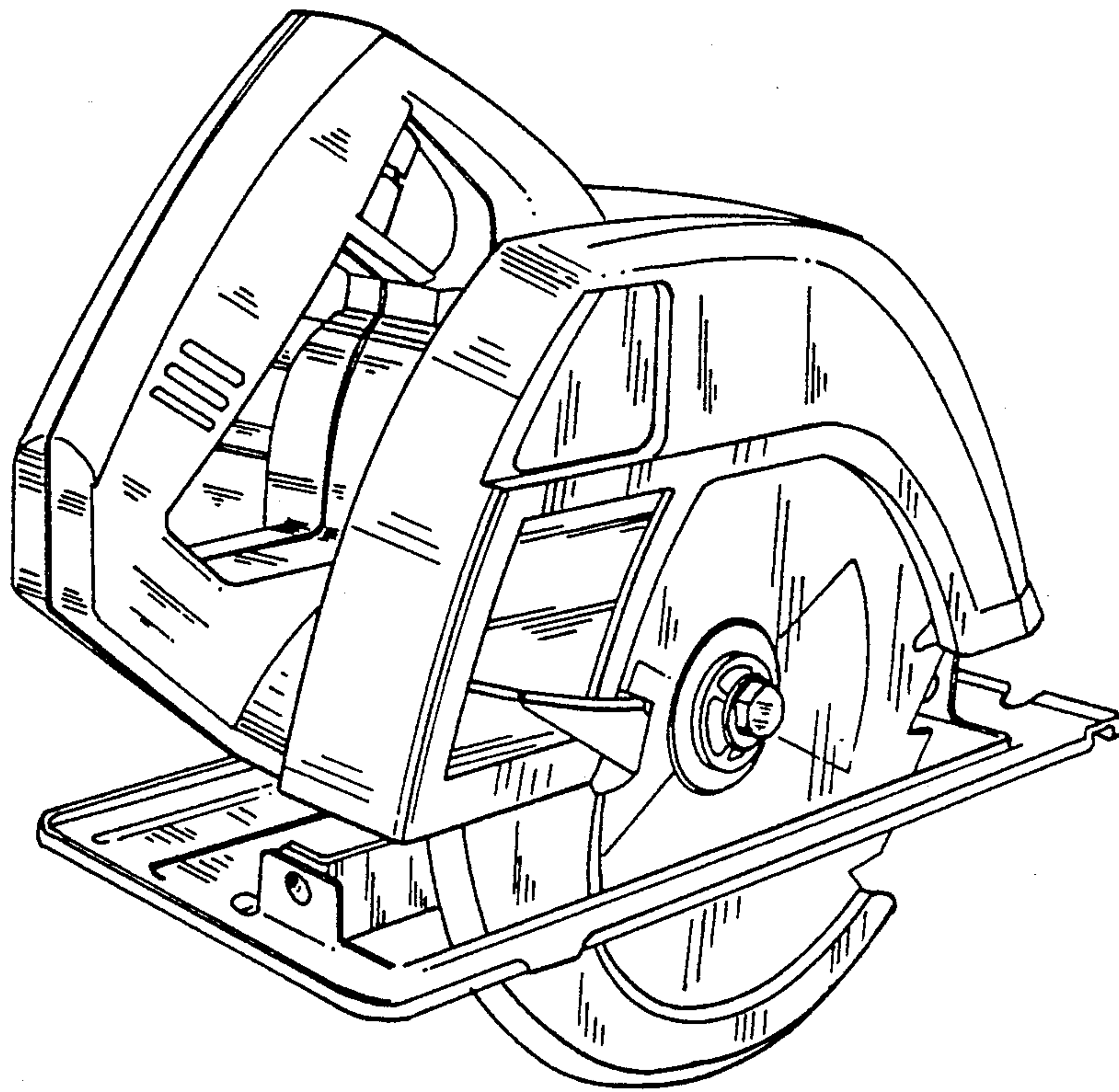


FIG. 1

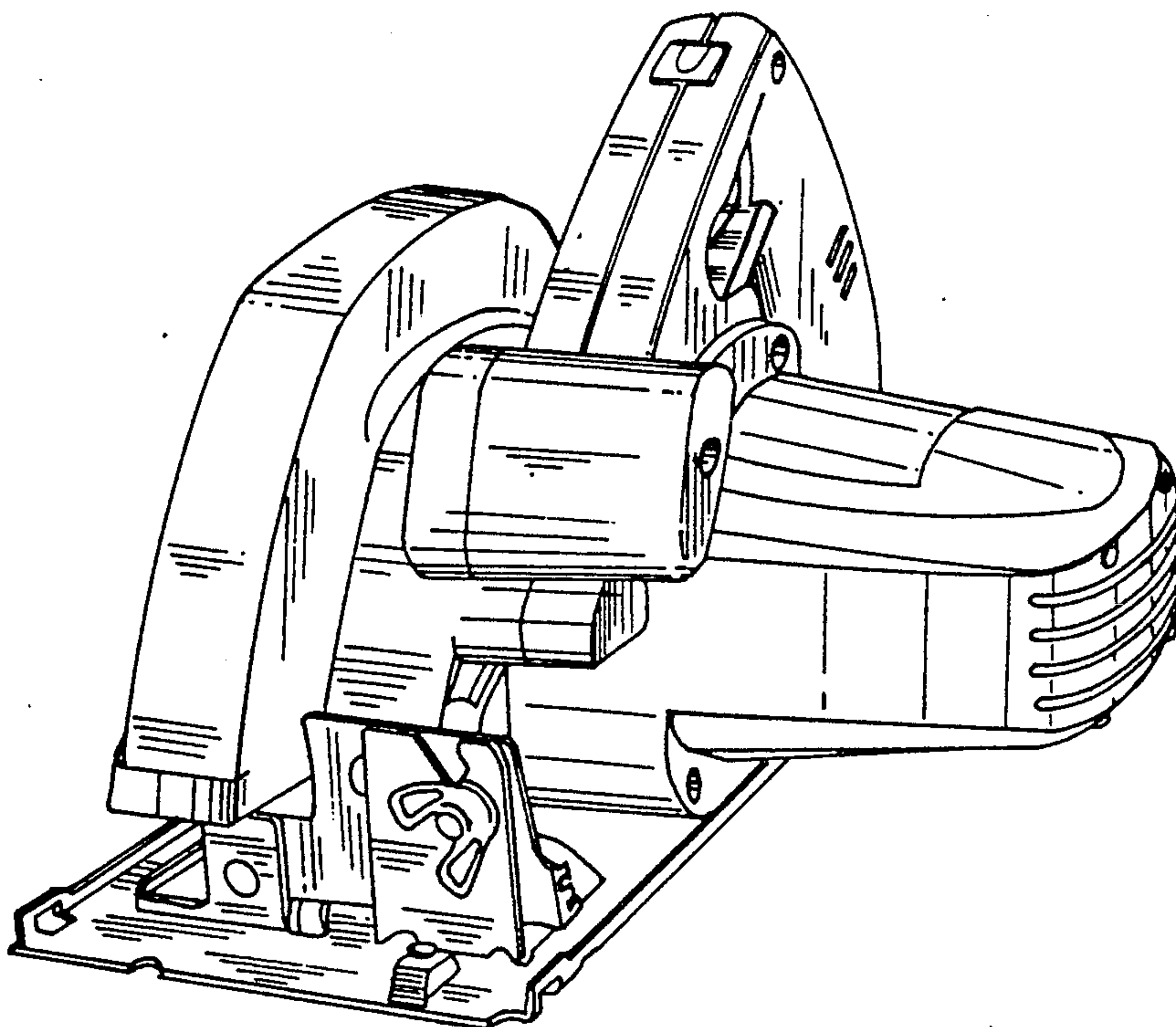


FIG. 2

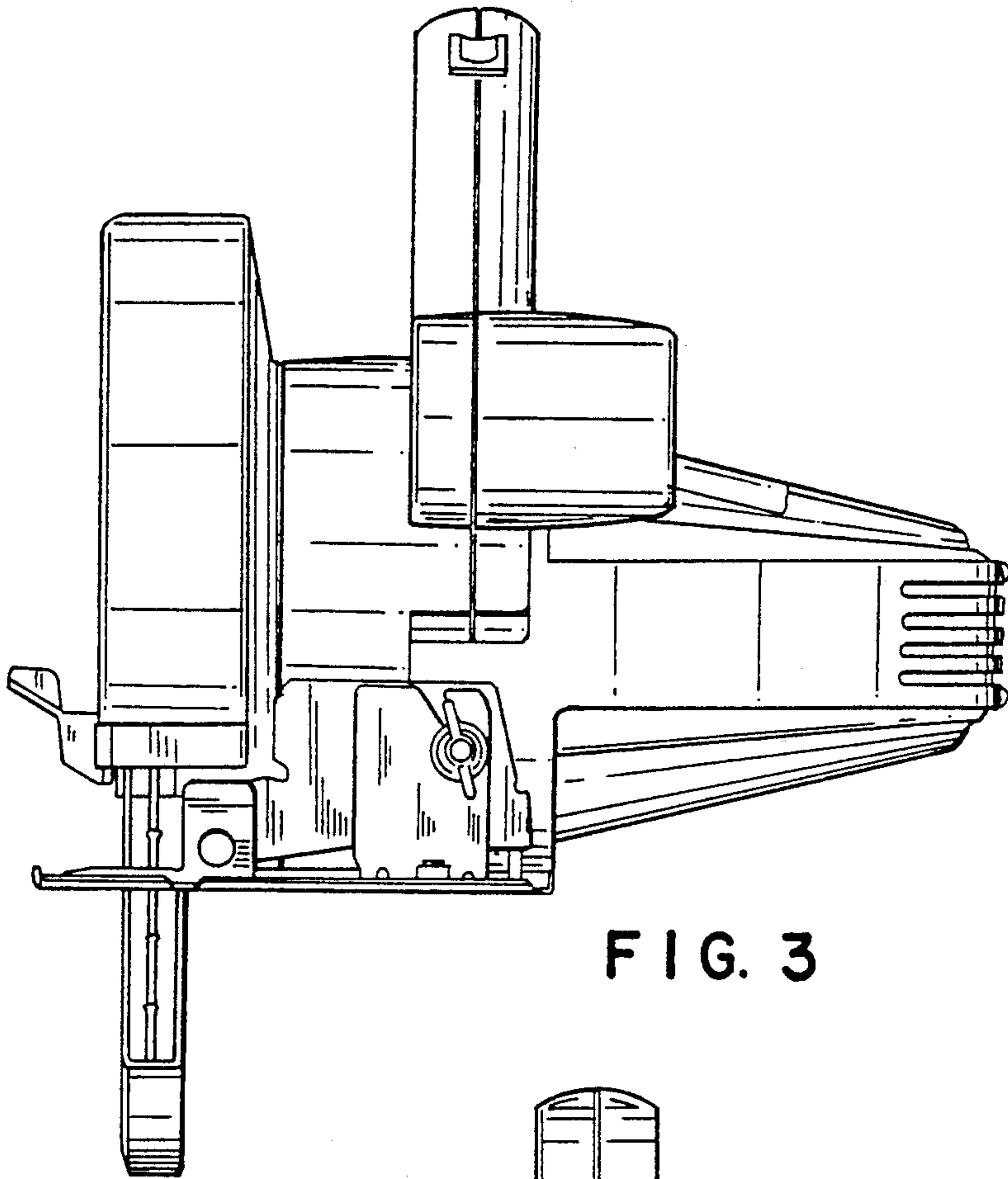


FIG. 3

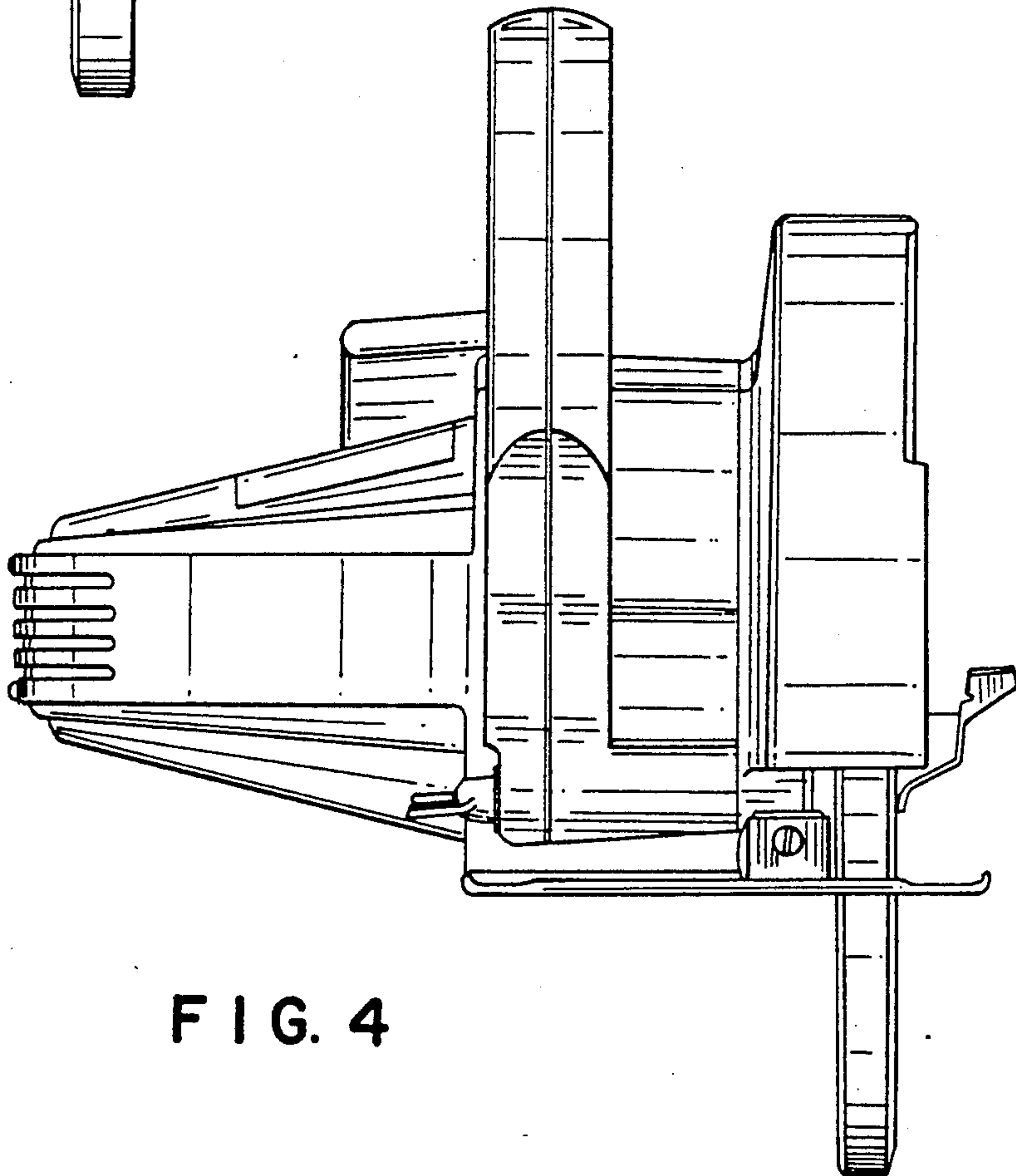


FIG. 4



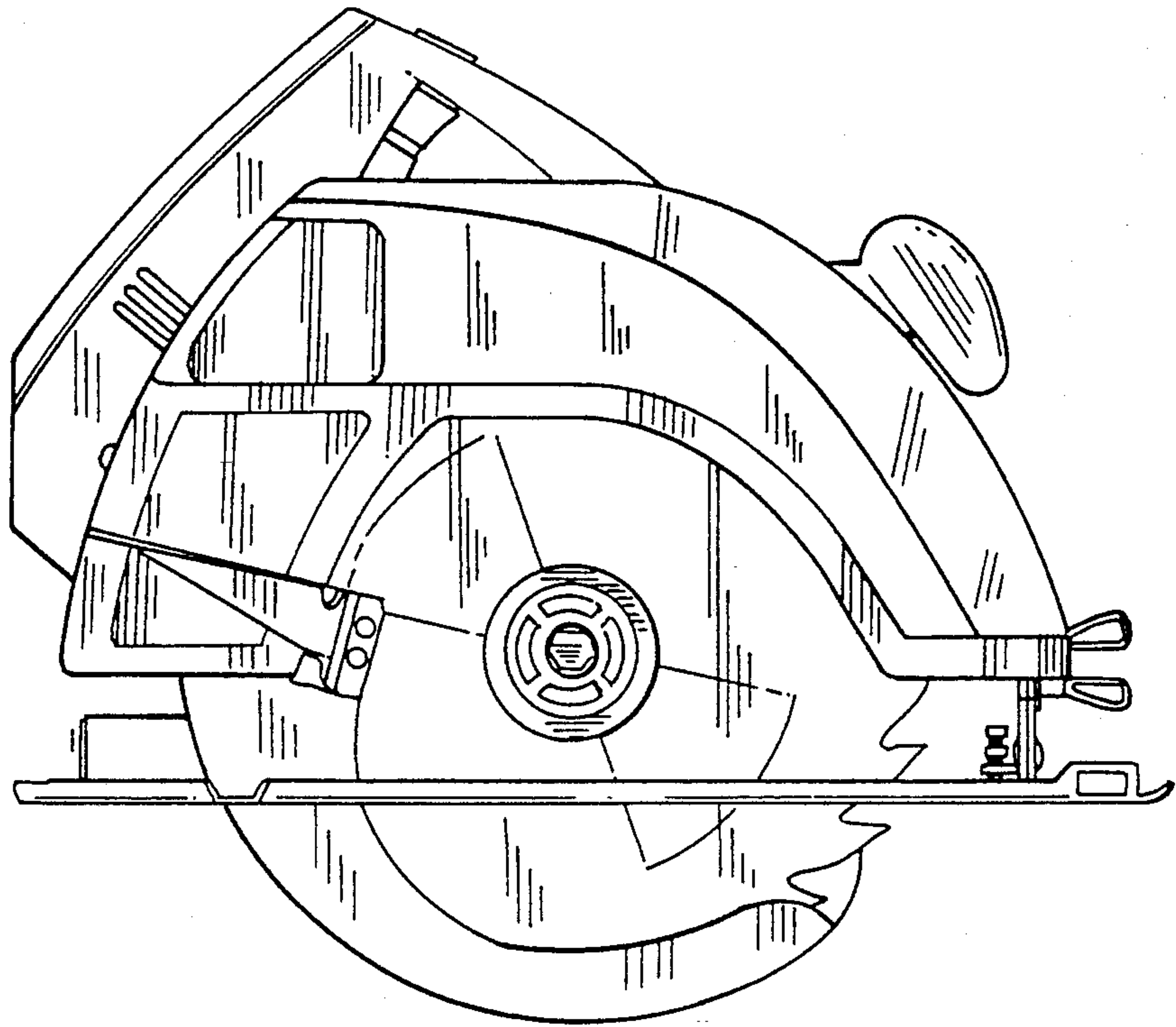


FIG. 5

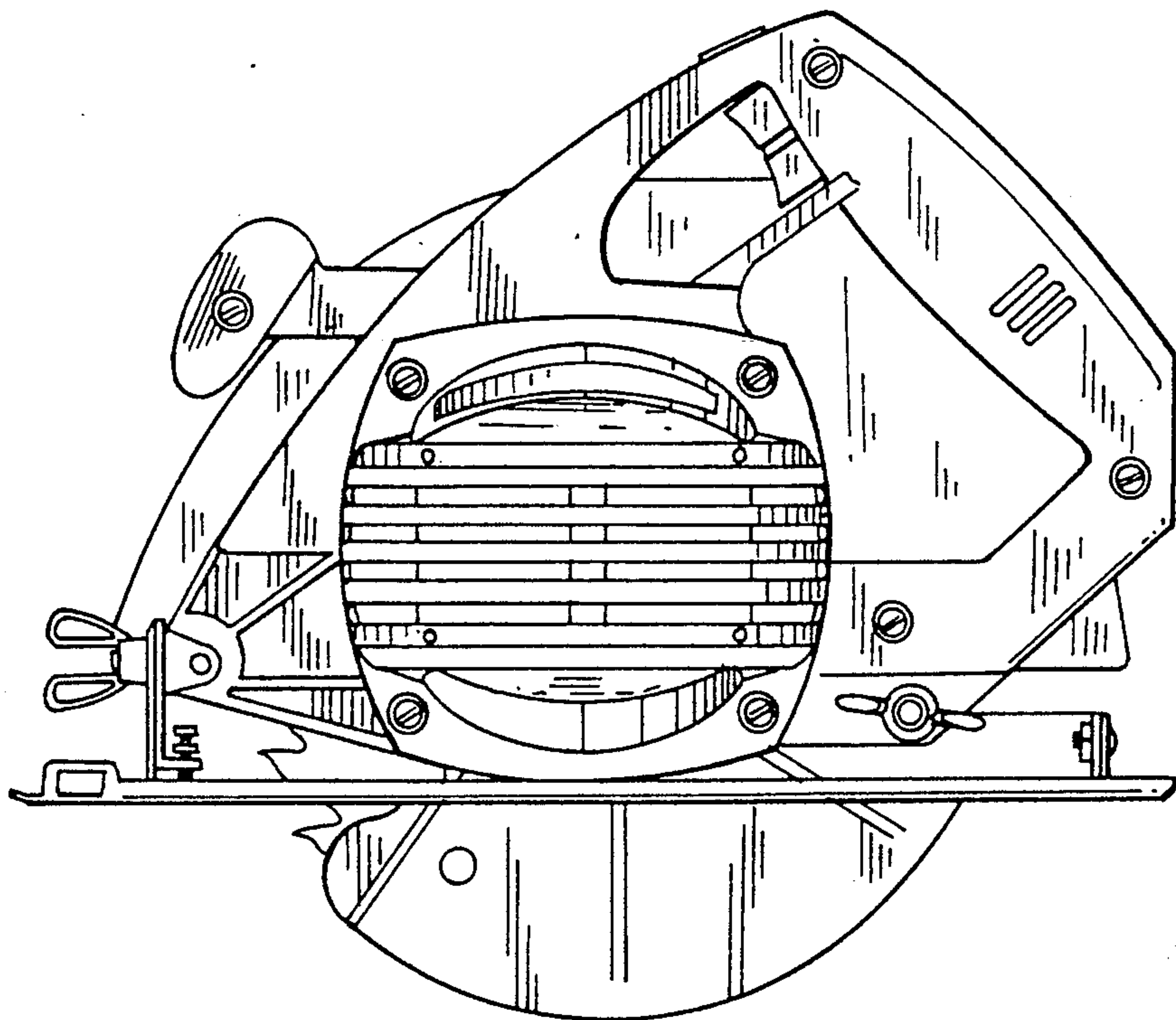


FIG. 6

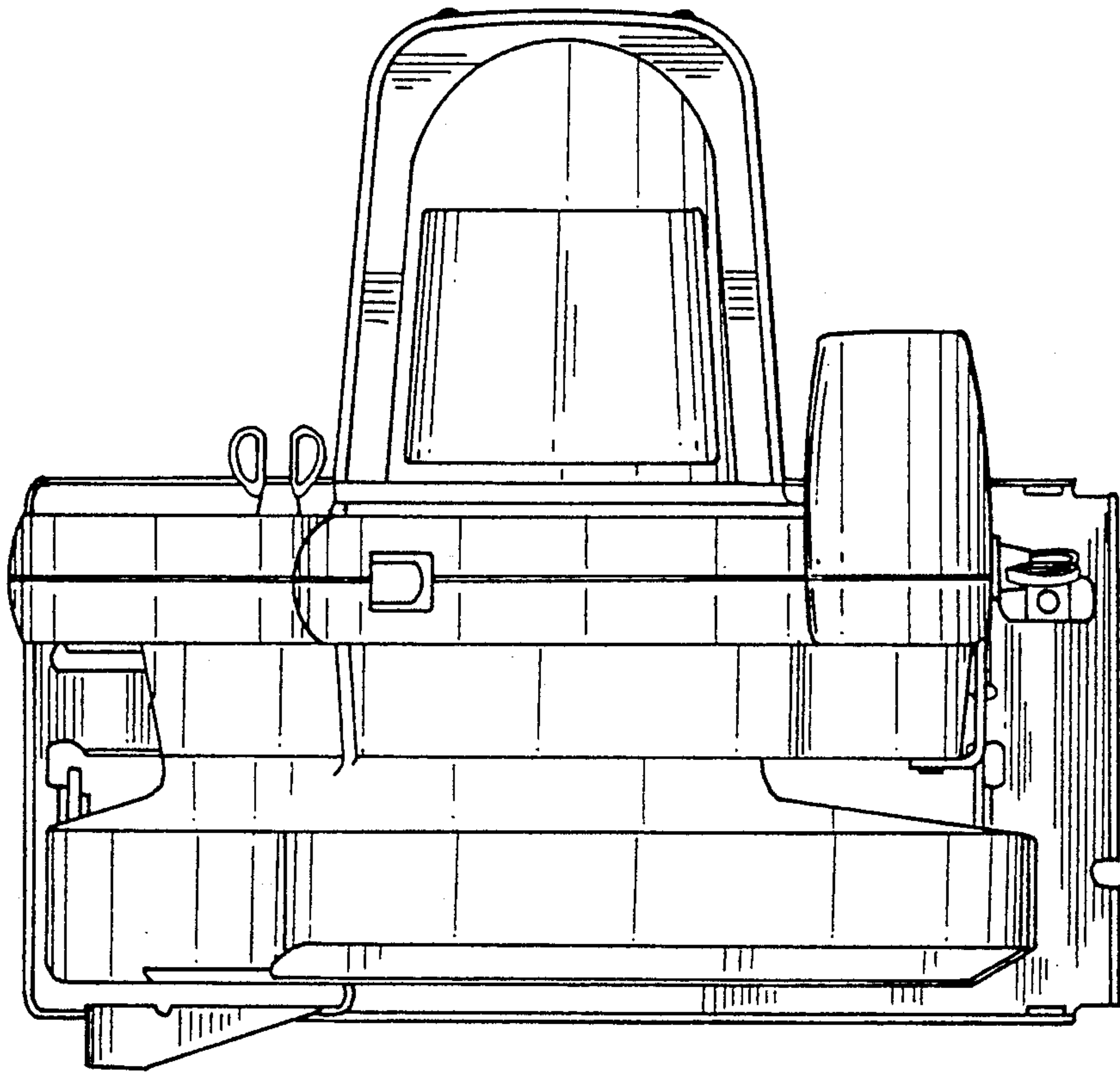


FIG. 7

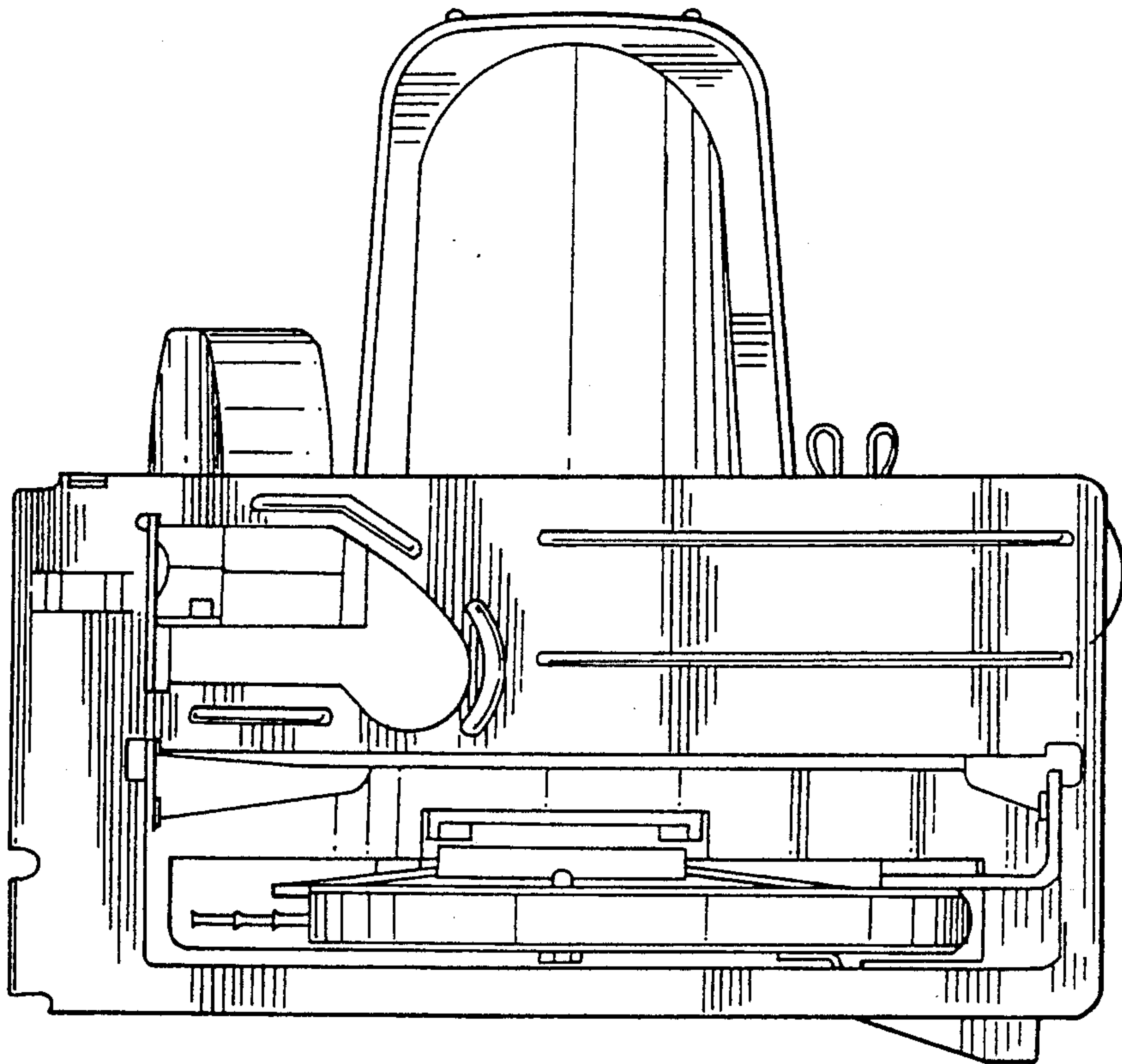


FIG. 8