



US00D327827S

# United States Patent [19]

[11] Patent Number: **Des. 327,827**

**Kwan**

[45] Date of Patent: **\*\* Jul. 14, 1992**

[54] **COMBINED POWER SCREWDRIVER AND LIGHT**

2,855,679	10/1958	Gibble	362/119
4,030,383	6/1977	Wagner	81/54
4,366,871	1/1983	Dieterle et al.	173/163
4,653,359	3/1987	Liao	81/57.14

[75] Inventor: **Tak W. Kwan, Kowloon, Hong Kong**

[73] Assignee: **Newpros Consumers & Appliances Ltd., Kowloon, Hong Kong**

[\*\*] Term: **14 Years**

[21] Appl. No.: **351,672**

[22] Filed: **May 15, 1989**

[30] **Foreign Application Priority Data**

Nov. 24, 1988	[GB]	United Kingdom	1055206
[52]	U.S. Cl.		<b>D8/61</b>
[58]	Field of Search		D8/61, 68; 81/57.11, 81/54, 57.14; 310/50; 173/170; 51/170 R, 170 PT; 362/119, 120

[56] **References Cited**

**U.S. PATENT DOCUMENTS**

2,525,588	10/1950	Cameron et al.	362/119
2,822,615	2/1958	Durst et al.	362/119

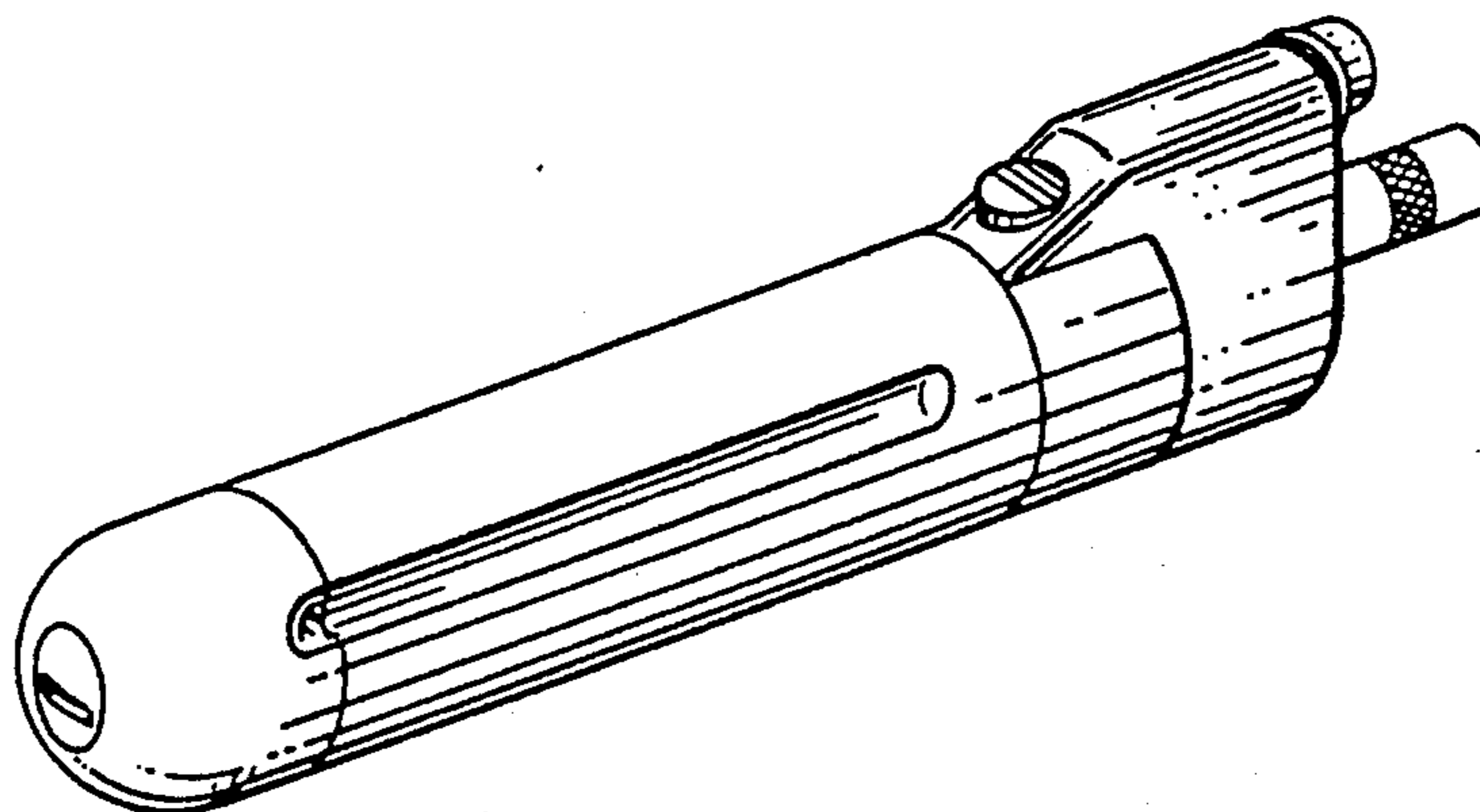
*Primary Examiner*—Donald P. Walsh  
*Assistant Examiner*—J. H. Musgrove  
*Attorney, Agent, or Firm*—Nikaido, Marmelstein, Murray & Oram

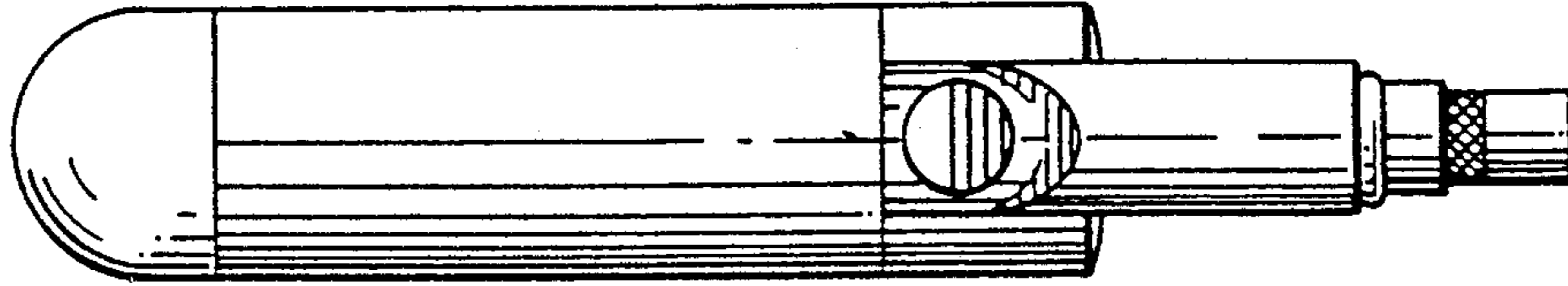
[57] **CLAIM**

The ornamental design for a combined power screwdriver and light, as shown.

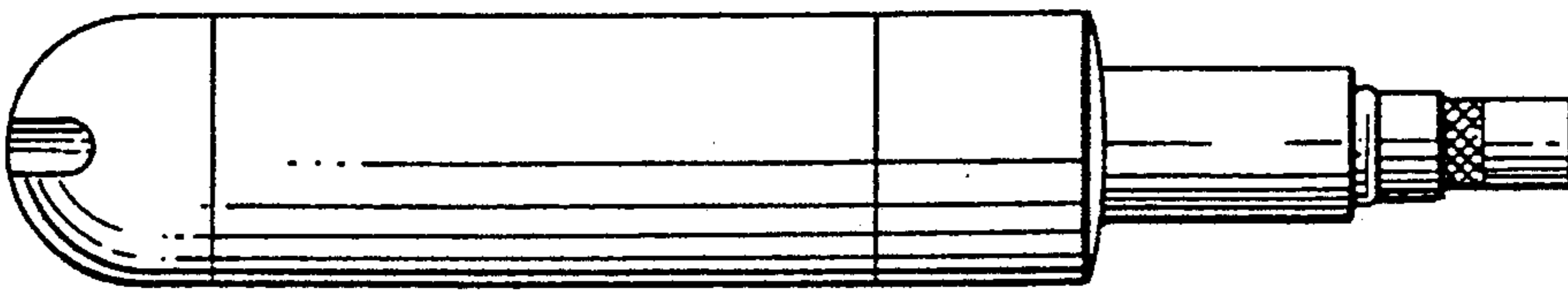
**DESCRIPTION**

FIG. 1 is a top plan view of a combined power screwdriver and light showing my new design; FIG. 2 is a bottom plan view thereof; FIG. 3 is a left side elevational view thereof; FIG. 4 is a right side elevational view thereof; FIG. 5 is a front elevational view thereof; FIG. 6 is a rear elevational view thereof; and, FIG. 7 is a rear, top and left side perspective view thereof.





*FIG. 1*



*FIG. 2*

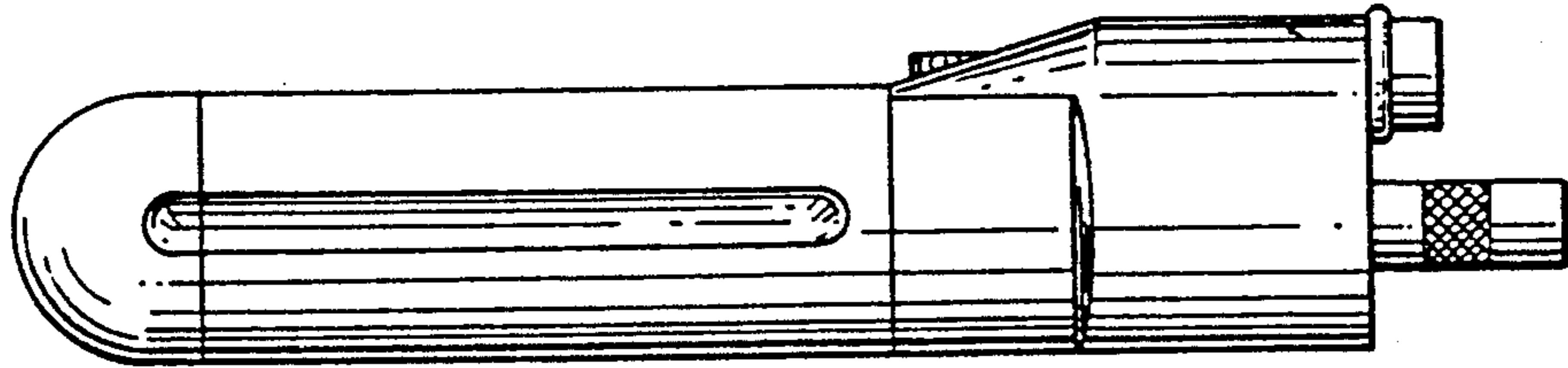


FIG. 3

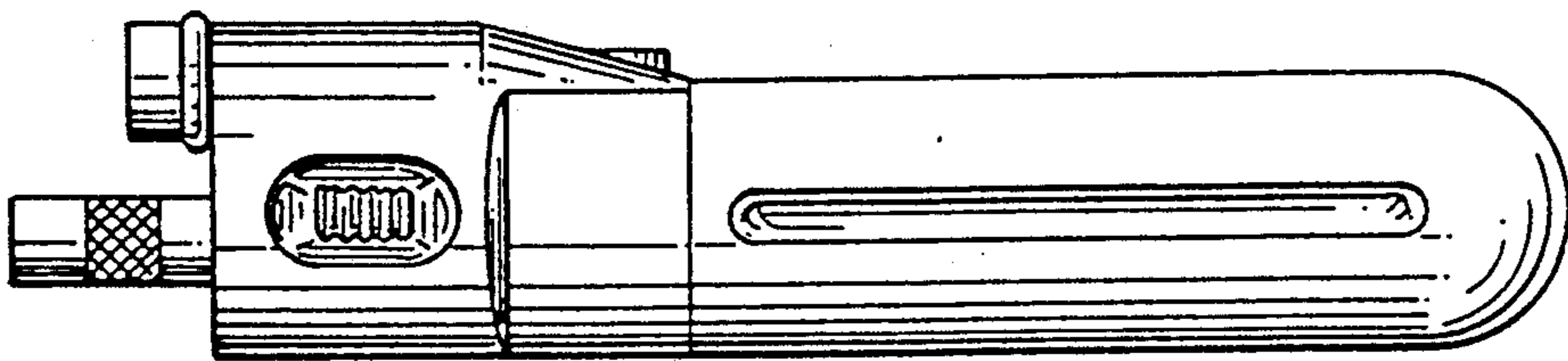
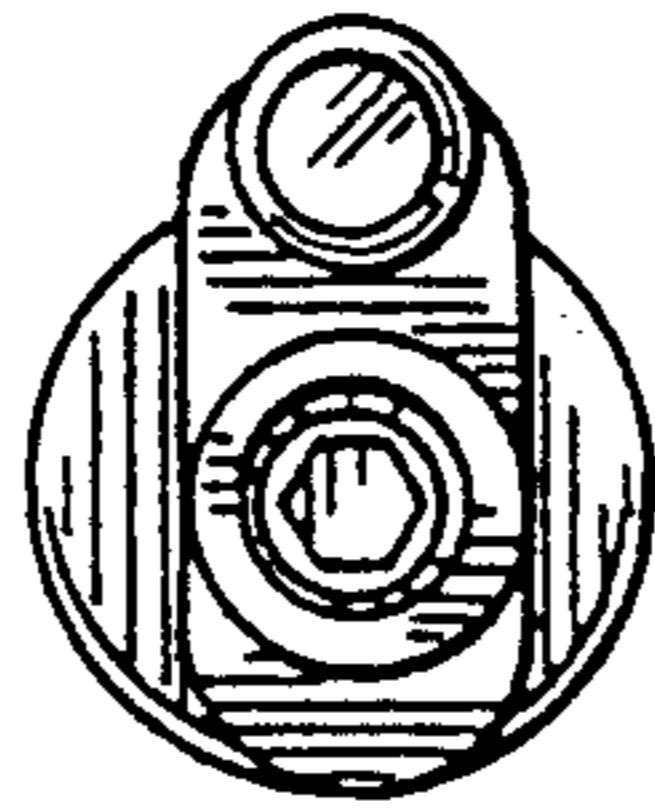
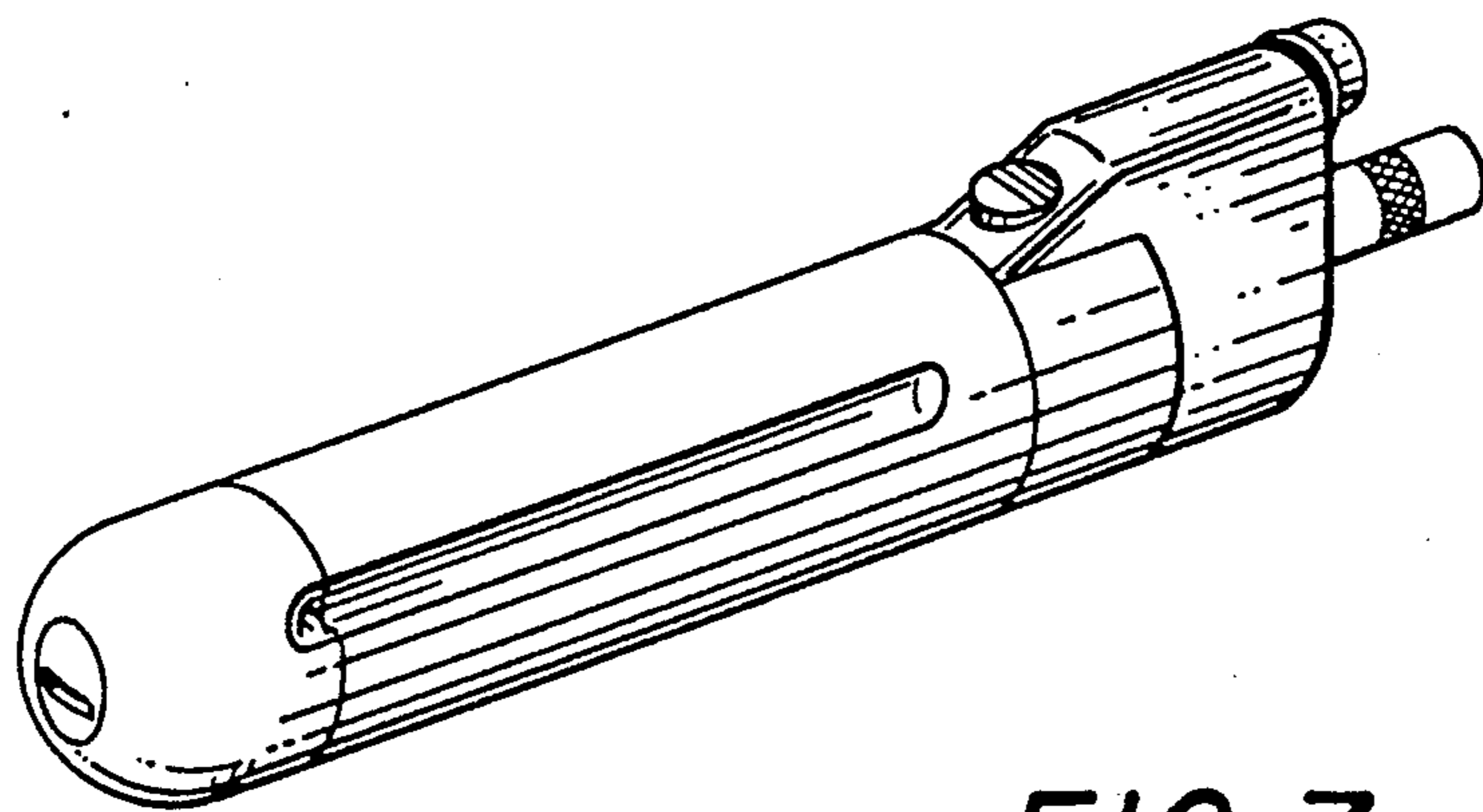
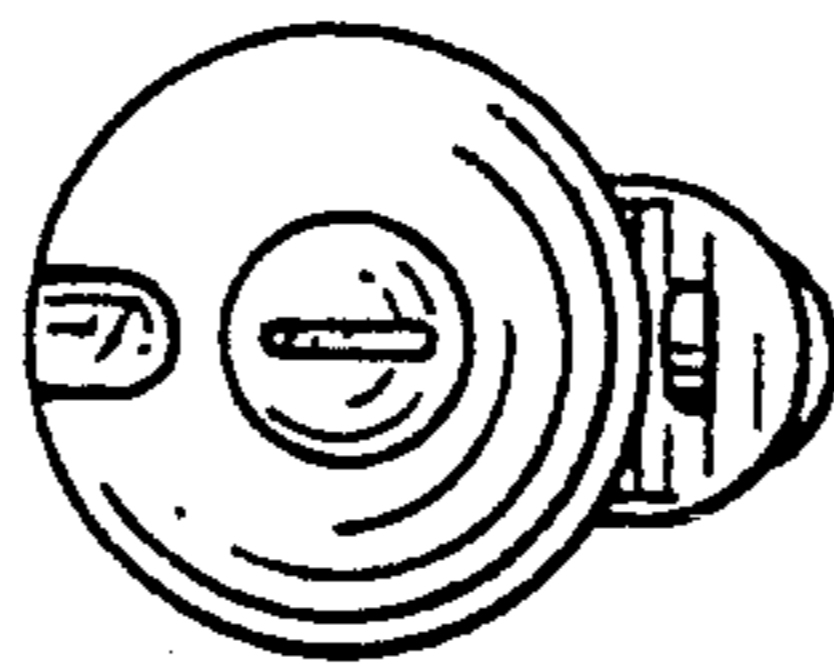


FIG. 4



*FIG. 5*

*FIG. 6*



*FIG. 7*