



US00D327824S

United States Patent [19]

Bianco, Sr.

[11] Patent Number: **Des. 327,824**

[45] Date of Patent: **** Jul. 14, 1992**

[54] COLLET KEYWAY ALIGNING WRENCH

[76] Inventor: **Thomas A. Bianco, Sr., 36 Lupine St., Wallingford, Conn. 06492**

[**] Term: **14 Years**

[21] Appl. No.: **480,514**

[22] Filed: **Feb. 15, 1990**

[52] U.S. Cl. **D8/21; D8/14**

[58] Field of Search **D8/14, 21; 81/16, 121.1, 81/176.1, 439, 460; 29/426.5; 279/46**

[56] **References Cited**

U.S. PATENT DOCUMENTS

D. 296,651	7/1988	de Armas	D8/29
D. 306,123	2/1990	Ramsey	D8/14
D. 311,315	10/1990	Duke	D8/14

2,764,769	10/1956	Neuman	81/121.1
3,411,555	11/1968	Herpich	81/121.1
3,872,904	3/1975	Barlow	81/460
4,480,514	11/1984	Ponziani	81/461
4,846,025	7/1989	Keller et al.	81/176.1

Primary Examiner—Bernard Ansher
Assistant Examiner—Philip Hyder
Attorney, Agent, or Firm—Norman B. Rainer

[57] **CLAIM**

The ornamental design for a collet keyway aligning wrench, as shown and described.

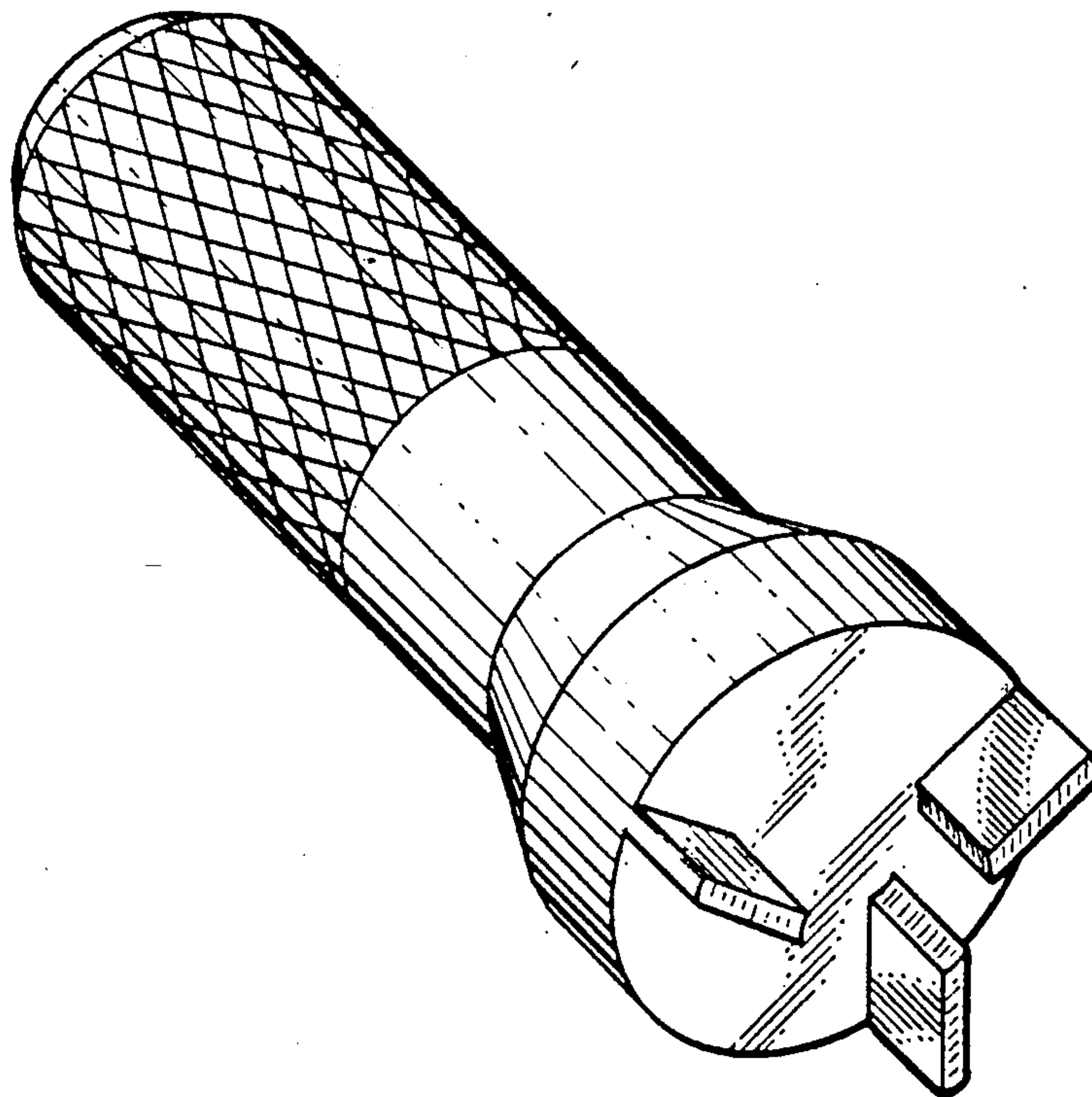
DESCRIPTION

FIG. 1 is a perspective view of a collet keyway aligning wrench showing my new design;

FIG. 2 is a front elevational view thereof;

FIG. 3 is a right side elevational view thereof; and,

FIG. 4 is a left side elevational view thereof.



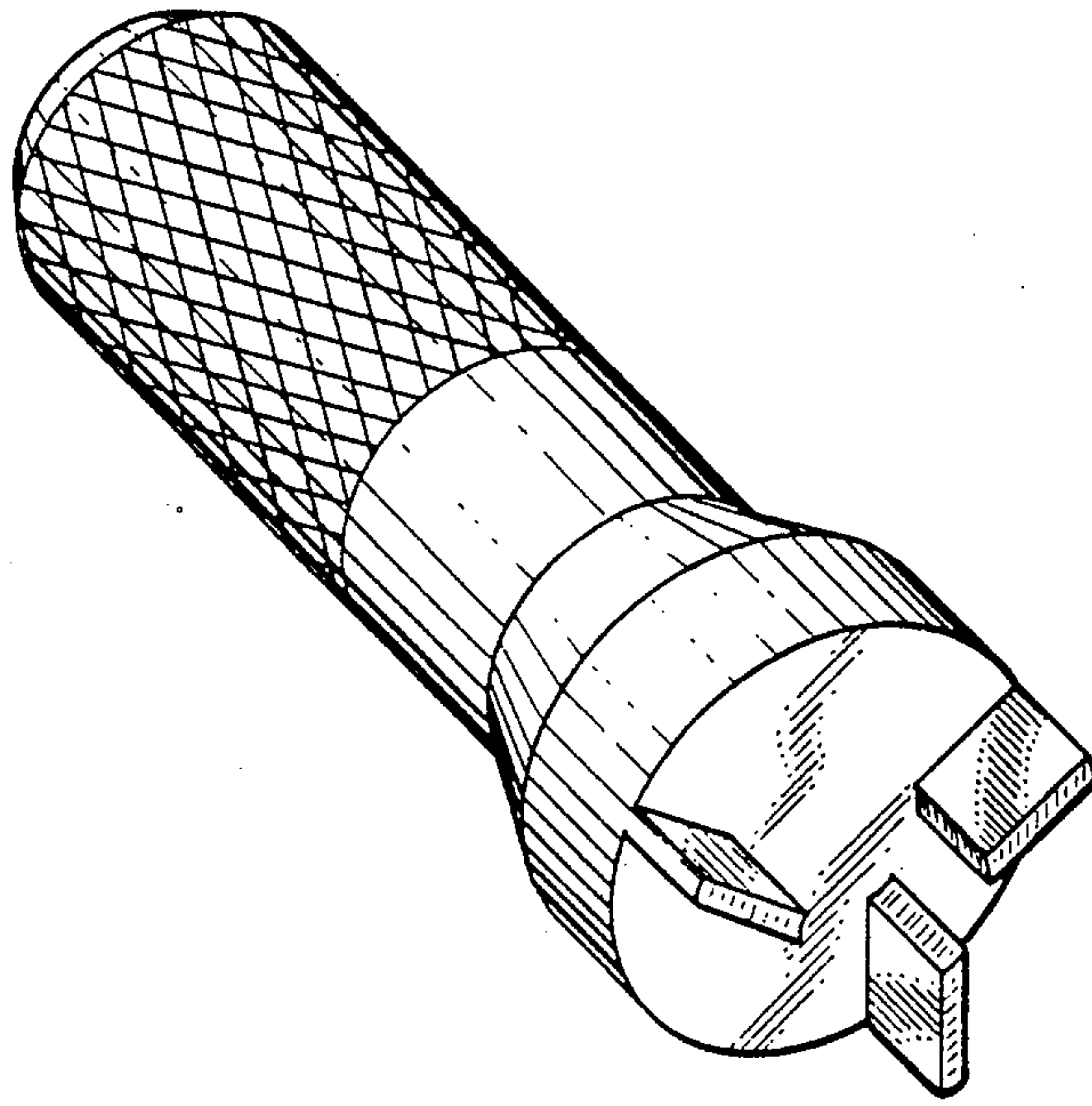


FIG. 1

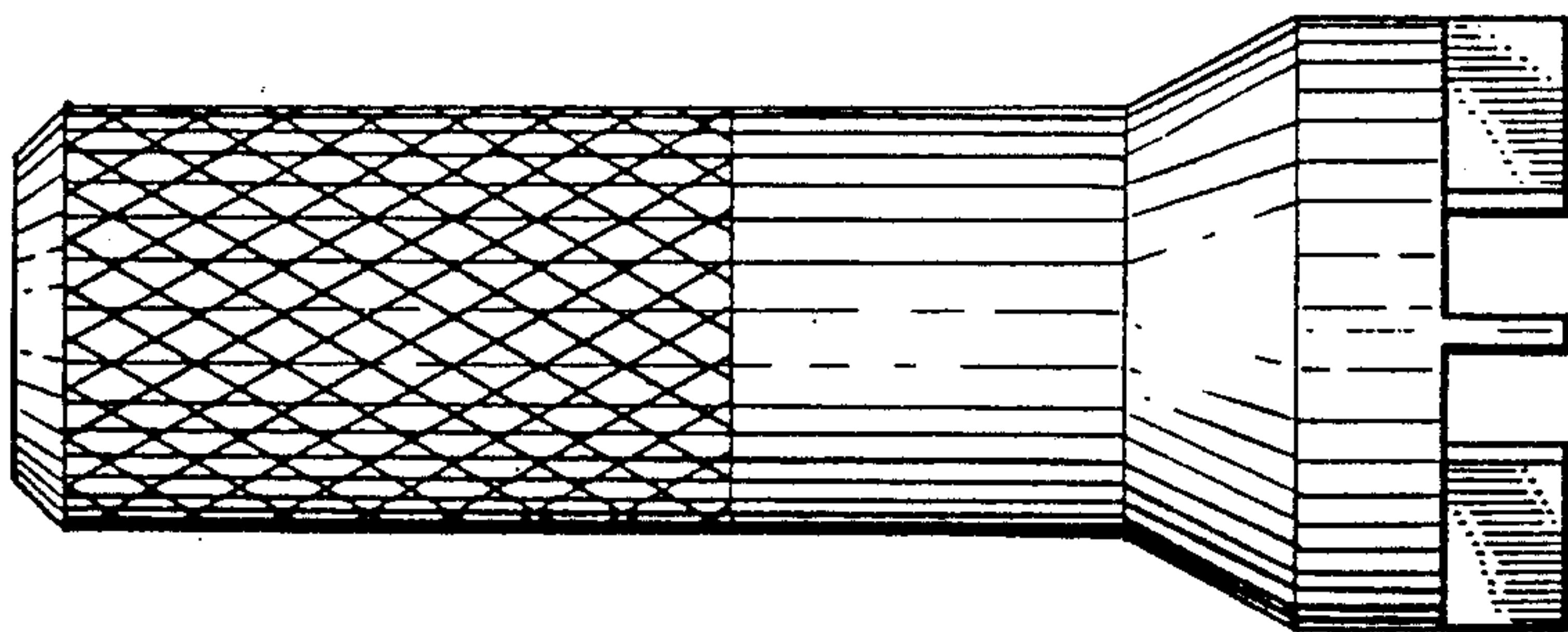


FIG. 2

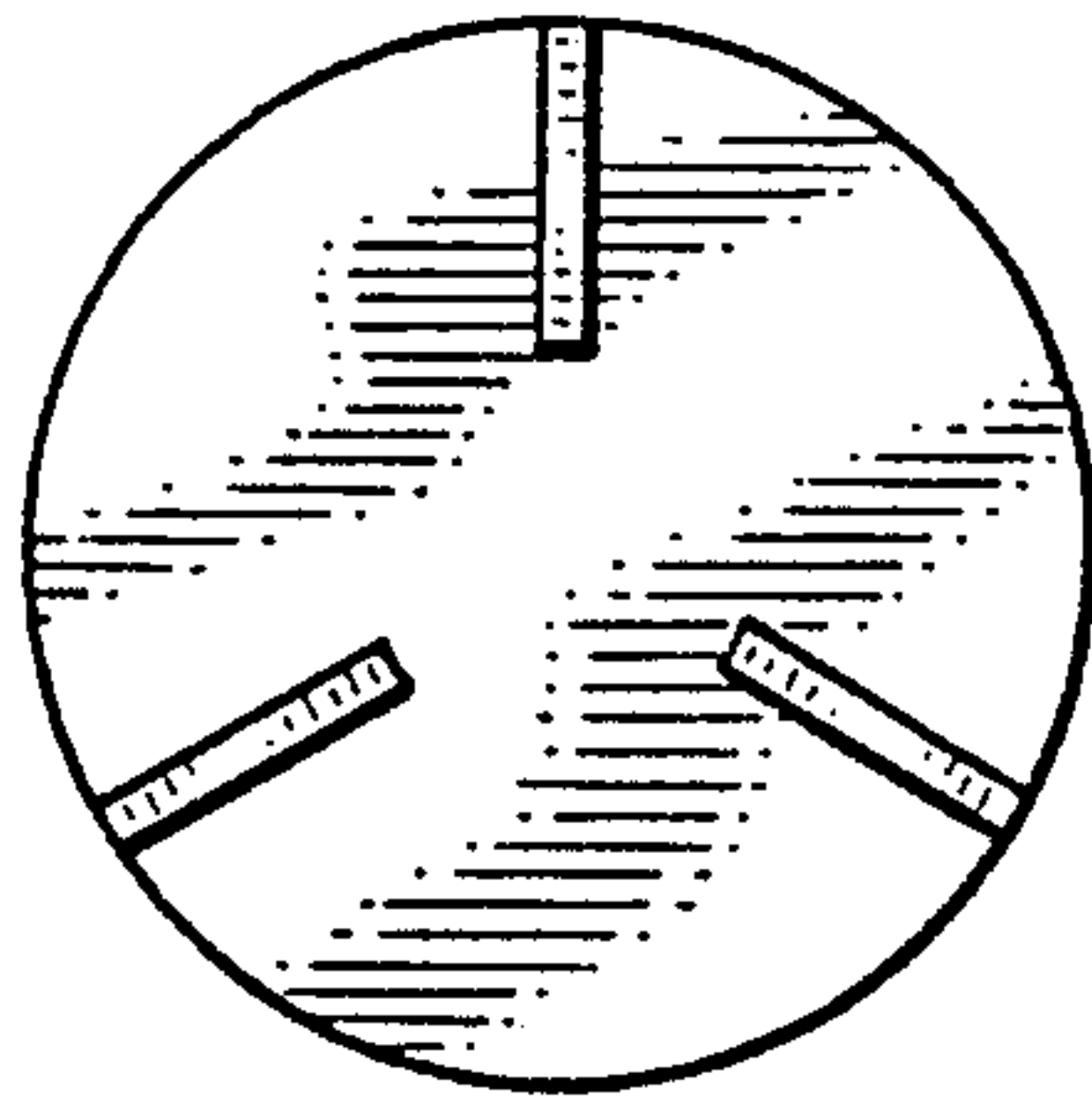


FIG. 3

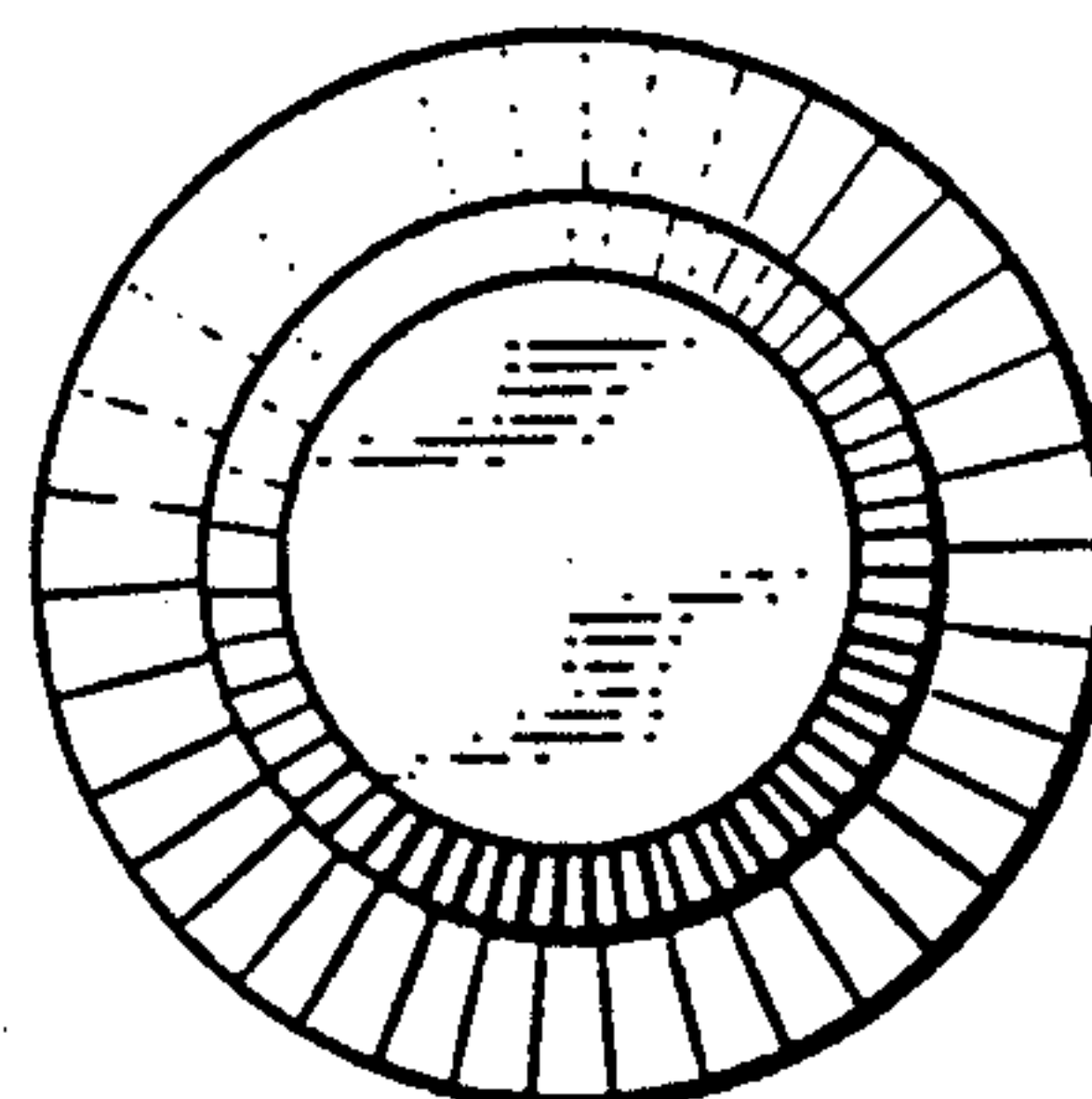


FIG. 4