



US00D327823S

United States Patent [19]

[11] Patent Number: **Des. 327,823**

Demarest

[45] Date of Patent: **** Jul. 14, 1992**

[54] **MATERIAL SPREADER**

[75] Inventor: **Scott W. Demarest**, Caledonia Township, Racine County, Wis.

[73] Assignee: **S. C. Johnson & Son, Inc.**, Racine, Wis.

[**] Term: **14 Years**

[21] Appl. No.: **585,853**

[22] Filed: **Sep. 20, 1990**

[52] U.S. Cl. **D8/2; D15/13**

[58] Field of Search **D8/2; 406/98, 102, 135; 222/75, 324; D15/13; D32/17**

[56] **References Cited**

U.S. PATENT DOCUMENTS

- D. 175,627 9/1955 Martin D8/2
- D. 190,742 6/1961 Roberts D8/2

- D. 192,600 4/1962 Love D8/2
- D. 232,802 9/1974 Steinkamp D32/17
- 4,071,170 1/1978 Gunzel, Jr. et al. 406/98

Primary Examiner—Wallace R. Burke

Assistant Examiner—H. Baynham

[57] **CLAIM**

The ornamental design for a material spreader, as shown and described.

DESCRIPTION

FIG. 1 is a perspective view of a material spreader showing my new design;
 FIG. 2 is a side elevational view thereof with the opposite side being a mirror image thereof;
 FIG. 3 is a front elevational view thereof;
 FIG. 4 is a rear elevational view thereof;
 FIG. 5 is a top plan view thereof; and,
 FIG. 6 is a bottom plan view thereof.

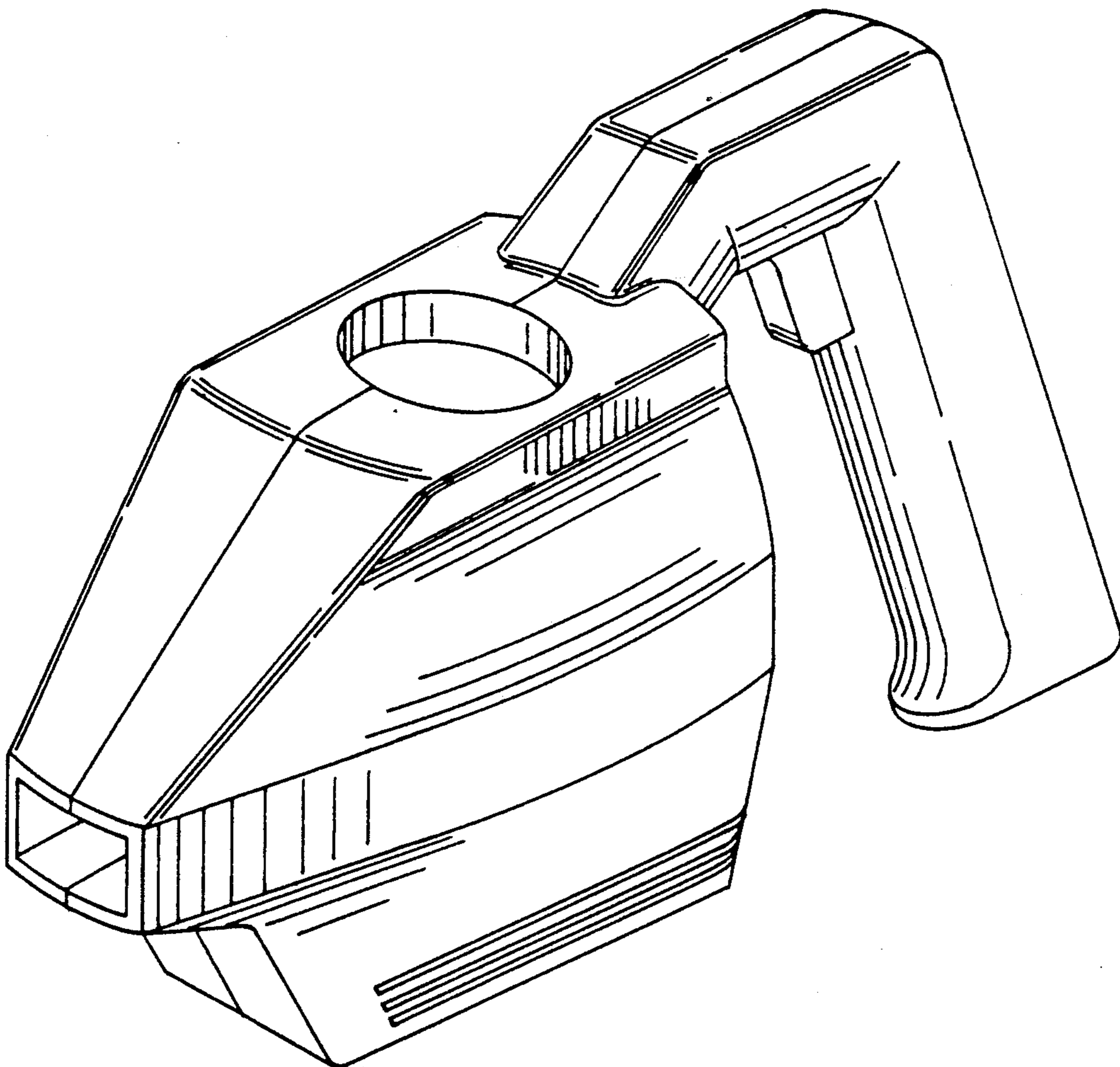


FIG. 1.

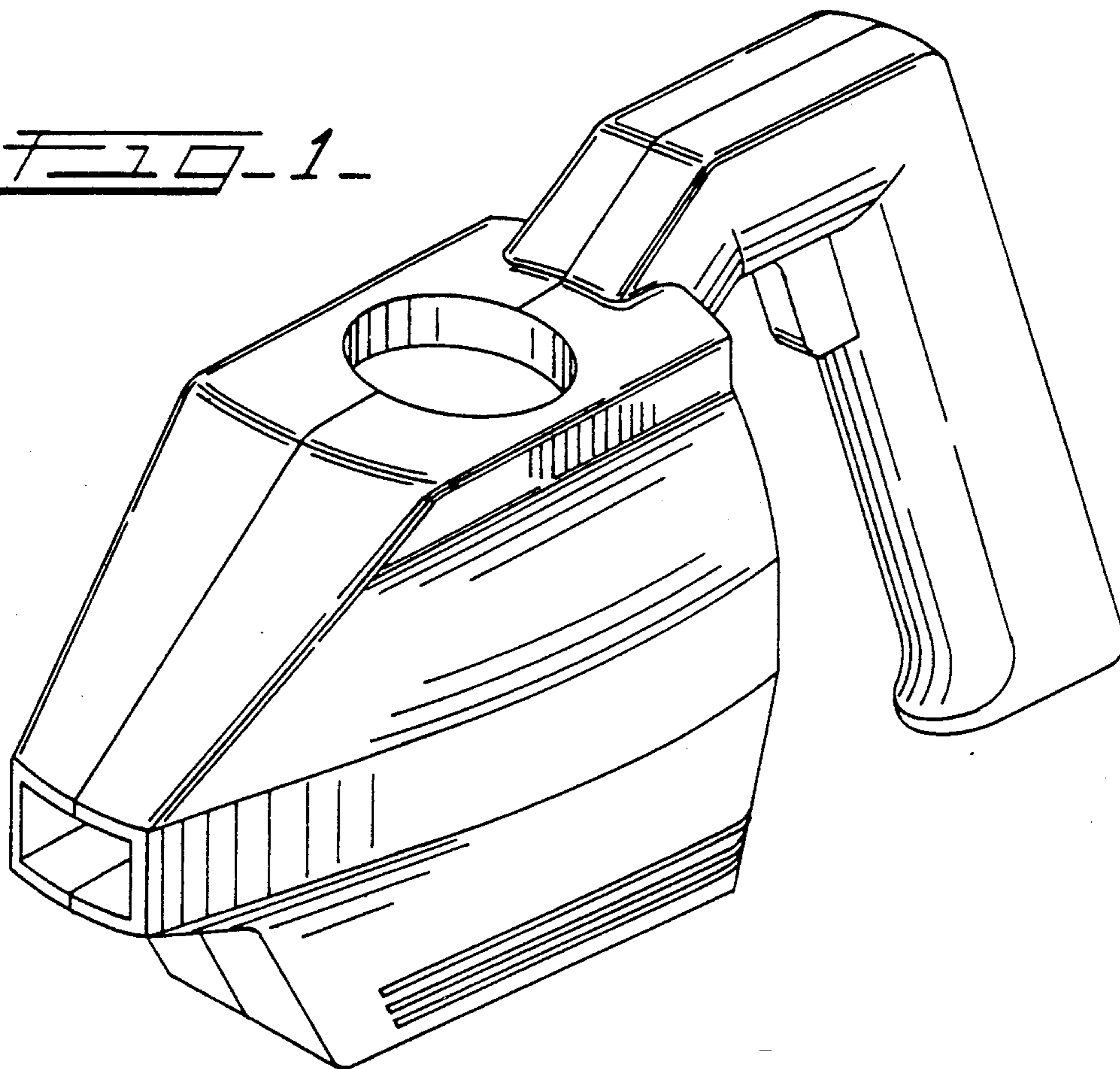


FIG. 2.

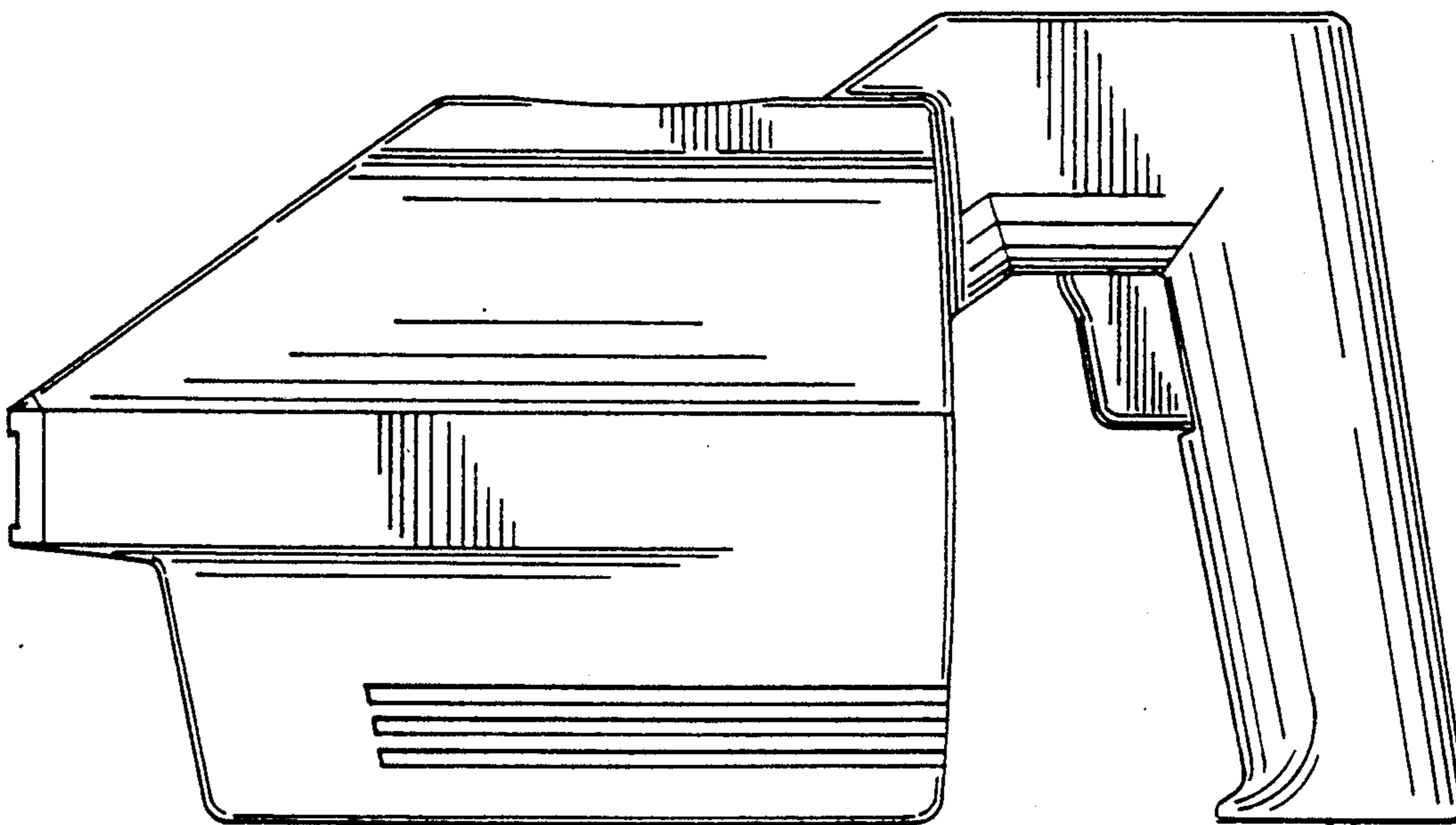


FIG. 3.

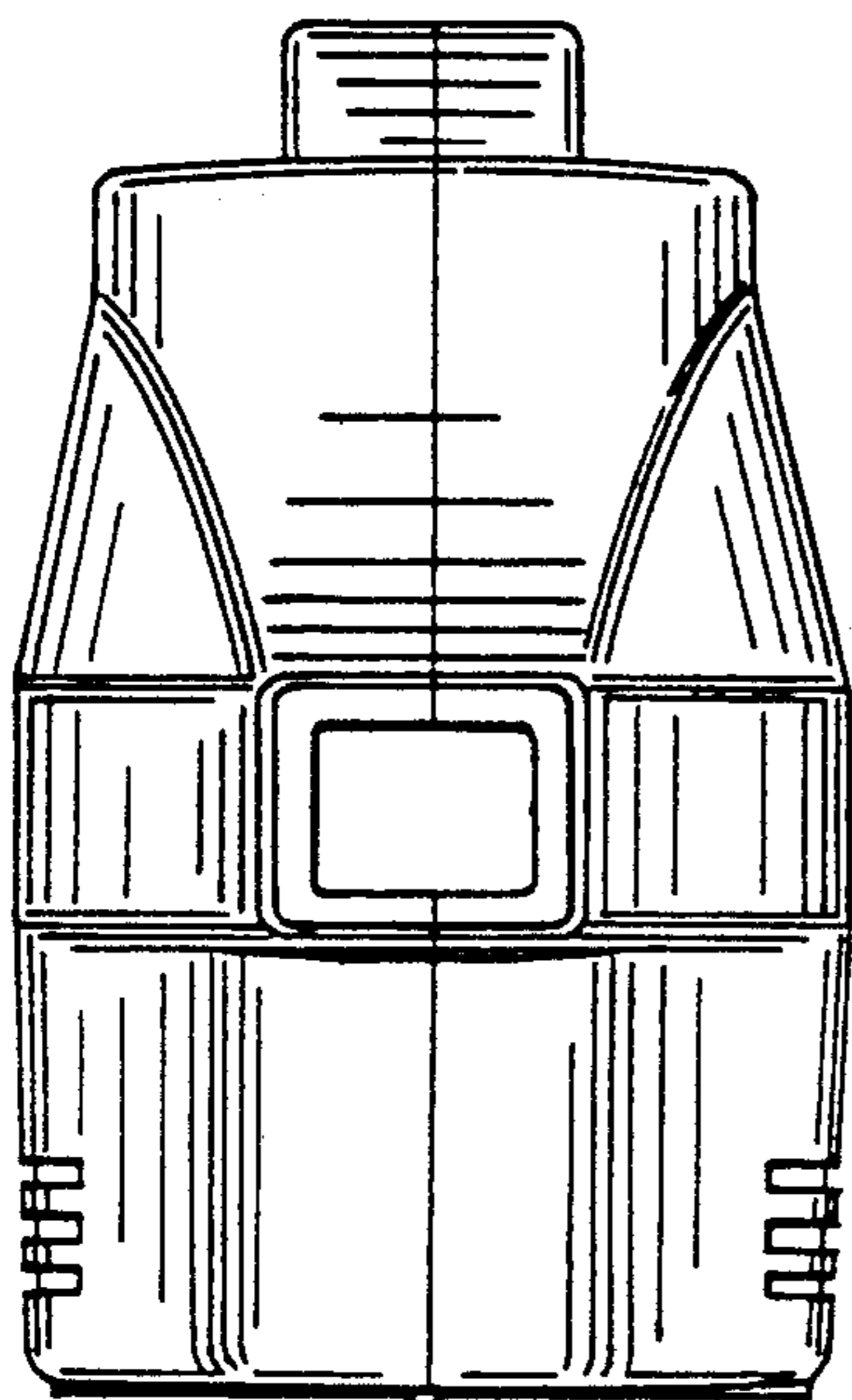


FIG. 4.

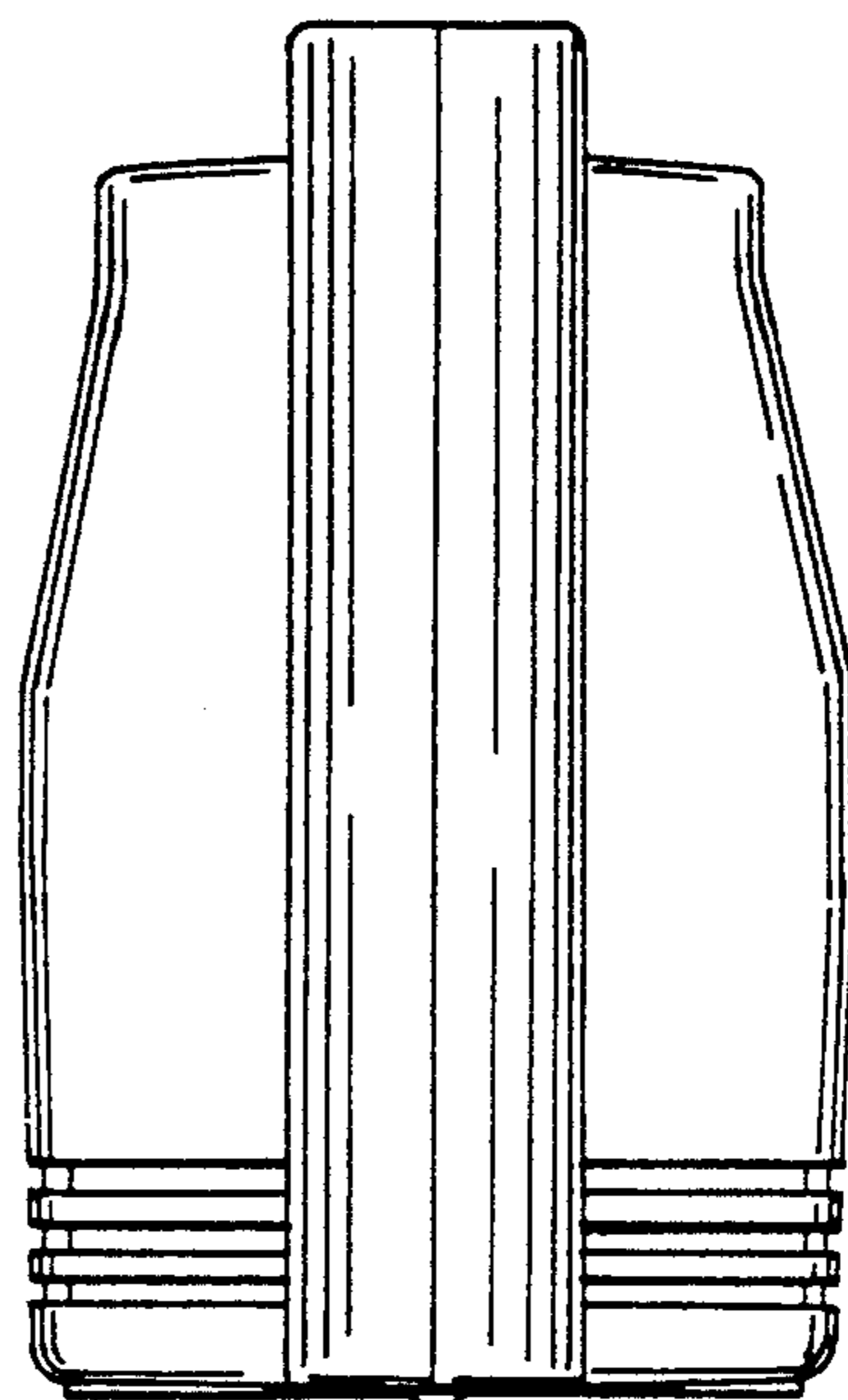


FIG. 5.

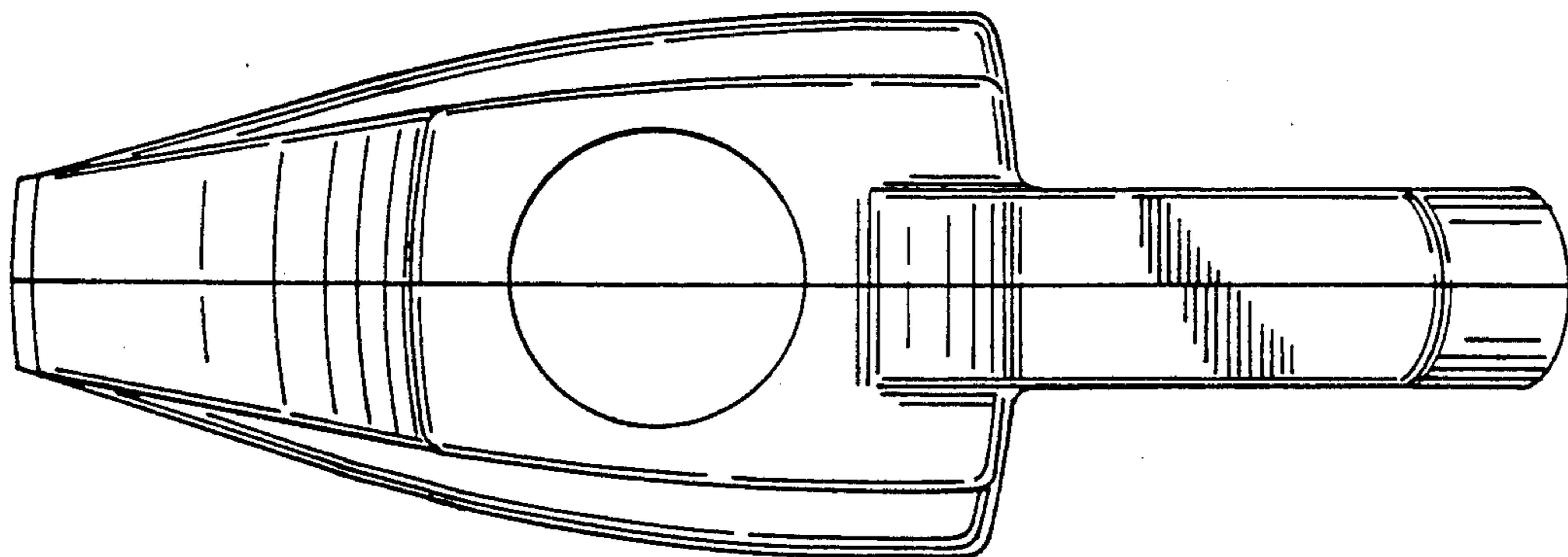


FIG. 6.

