



US00D327822S

United States Patent [19] Kong

[11] Patent Number: **Des. 327,822**

[45] Date of Patent: **** Jul. 14, 1992**

[54] **VEGETABLE CUTTER**

[75] Inventor: **Yat Che Kong, Hong Kong, Hong Kong**

[73] Assignee: **Magician Industrial Co., Ltd., Hong Kong, Hong Kong**

[**] Term: **14 Years**

[21] Appl. No.: **551,512**

[22] Filed: **Jul. 11, 1990**

[30] **Foreign Application Priority Data**

Jan. 12, 1990 [GB] United Kingdom 2004021
[52] U.S. Cl. **D7/673**
[58] Field of Search D7/673; 30/114-117

[56] **References Cited**
PUBLICATIONS

House & Garden, May, 1973, p. 166, french fry cutter #3.

Hong Kong Enterprise, Apr. 1983, p. 19, vegetable cutter #818 & 833.

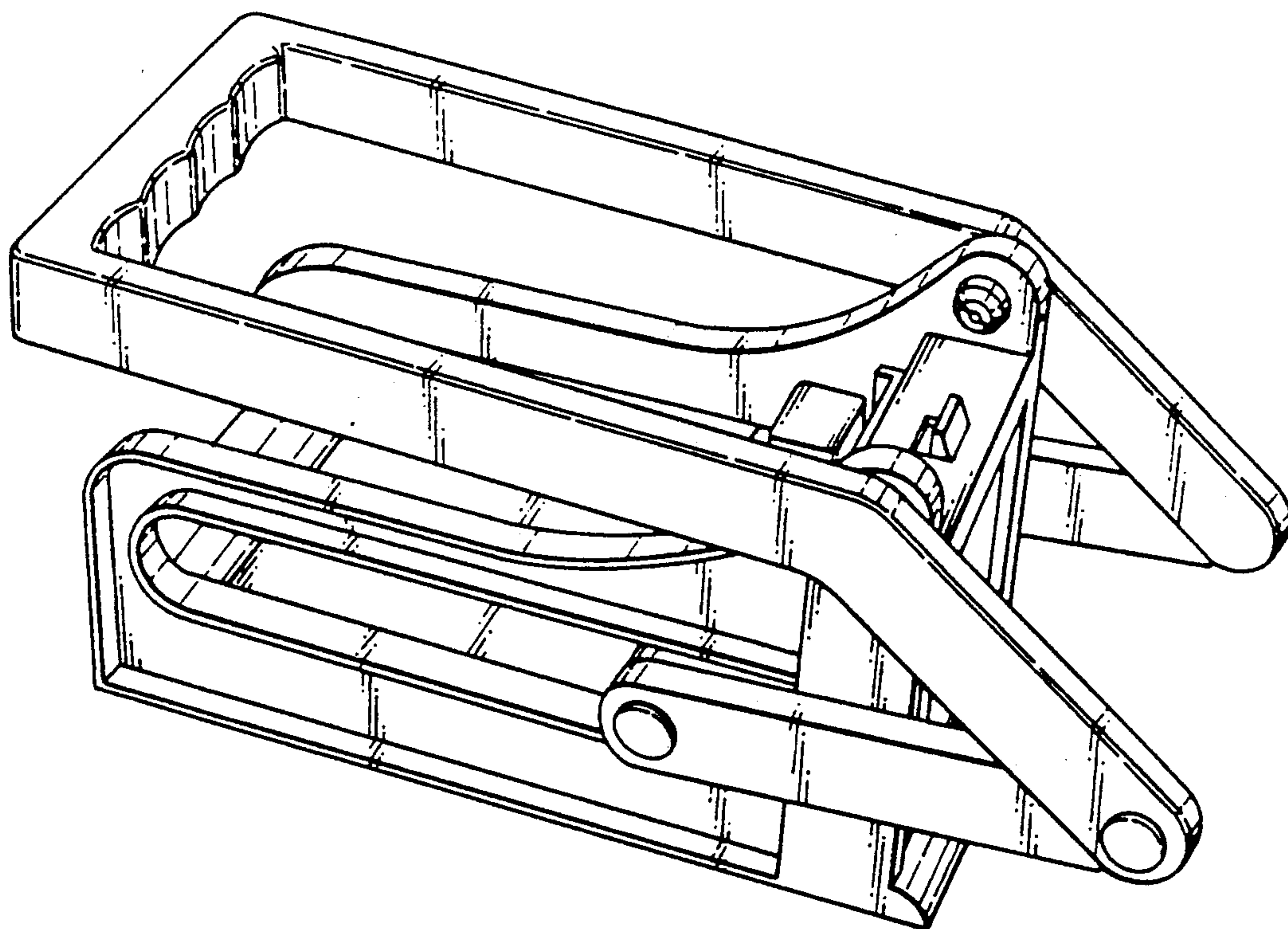
Primary Examiner—Terry A. Pfeffer
Attorney, Agent, or Firm—Whitham & Marhoefer

[57] **CLAIM**

The ornamental design for a vegetable cutter, as shown and described.

DESCRIPTION

FIG. 1 is a top, front, left side perspective view of a vegetable cutter showing my new design;
FIG. 2 is a right side elevational view thereof;
FIG. 3 is a bottom plan view thereof;
FIG. 4 is a front perspective view thereof;
FIG. 5 is a rear perspective view thereof;
FIG. 6 is a front perspective view thereof in an alternate position;
FIG. 7 is a left side perspective view thereof in an alternate position; and,
FIG. 8 is an enlarged fragmentary perspective view in an alternate position, the hand shown in broken lines for illustrative purpose only.



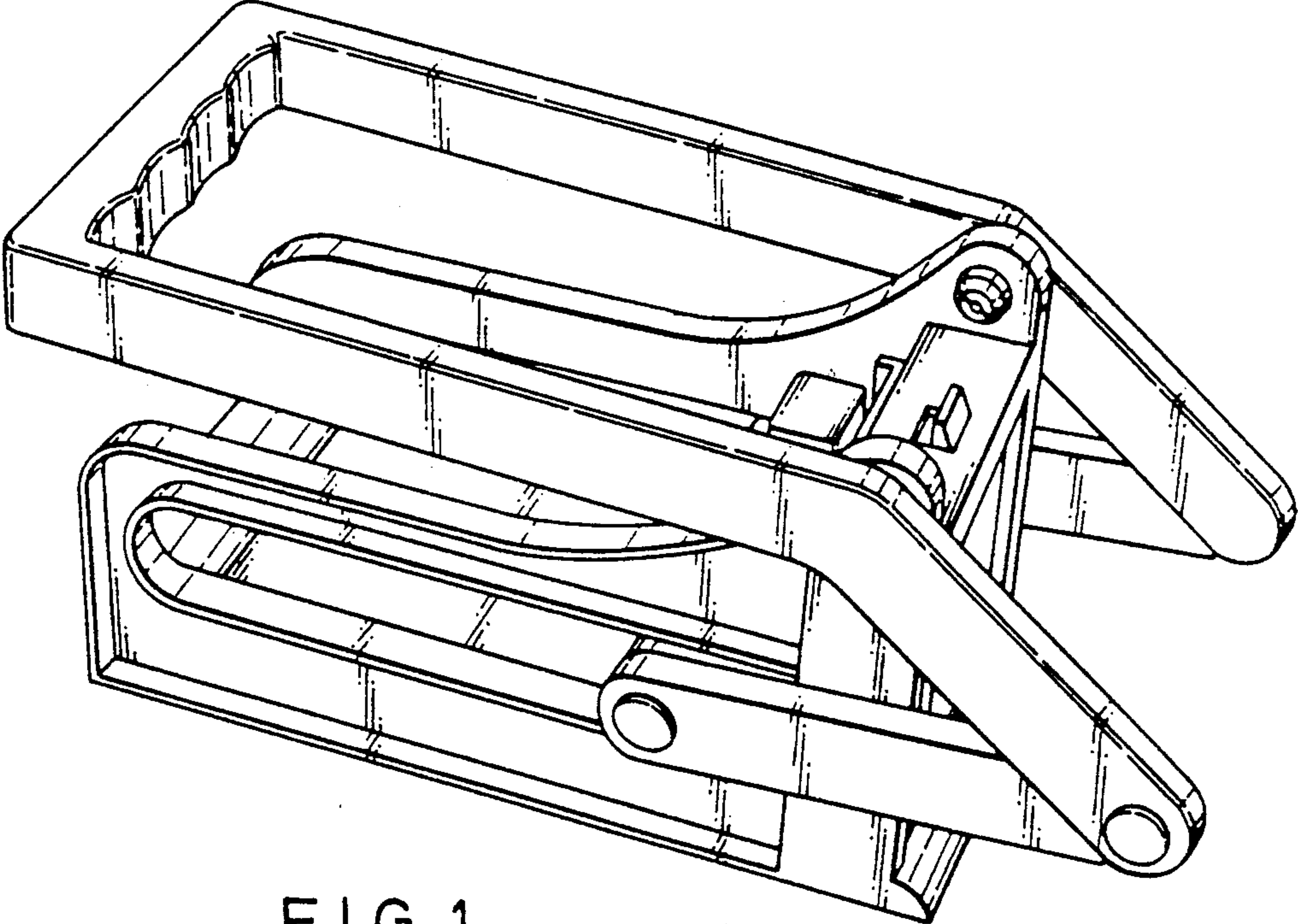


FIG. 1

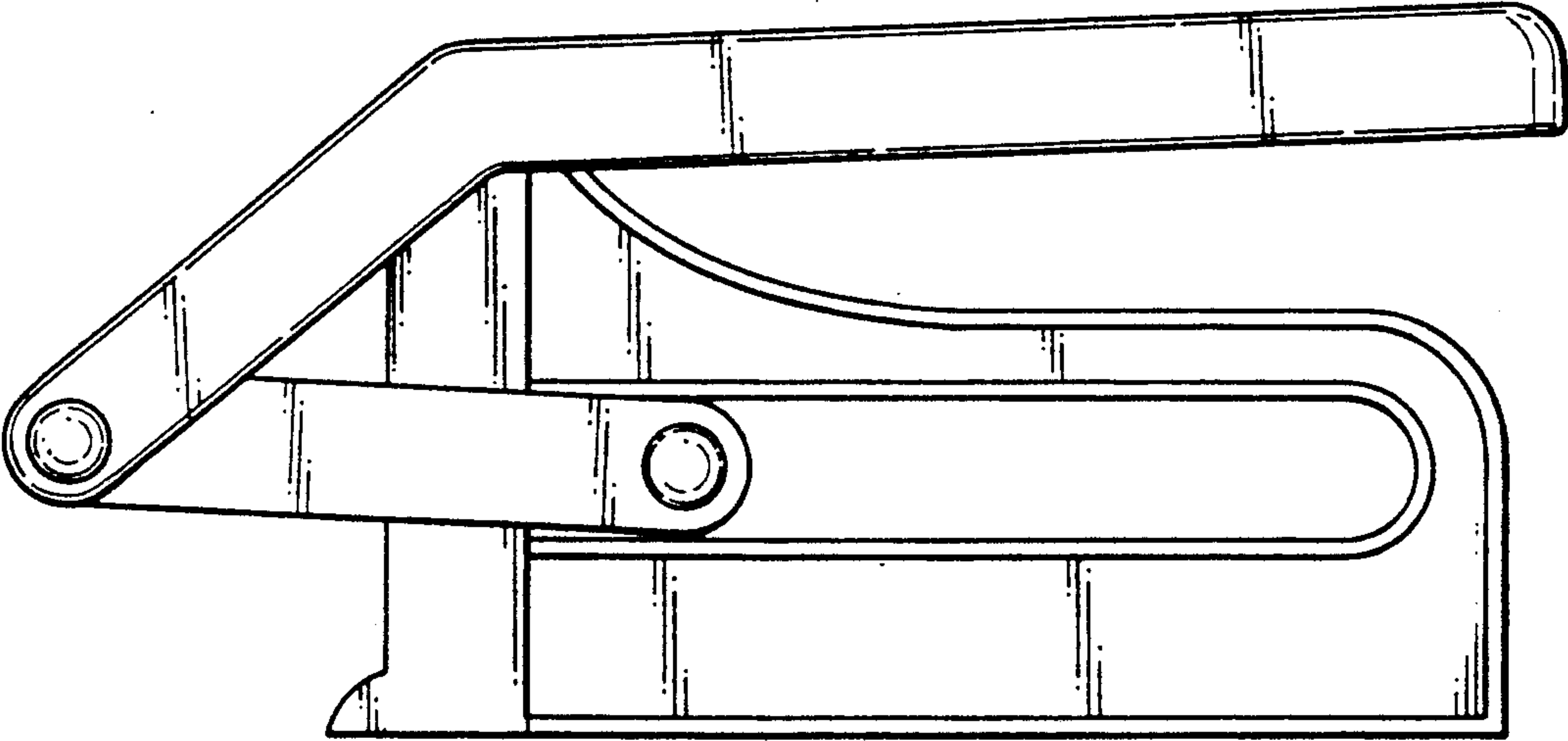


FIG. 2

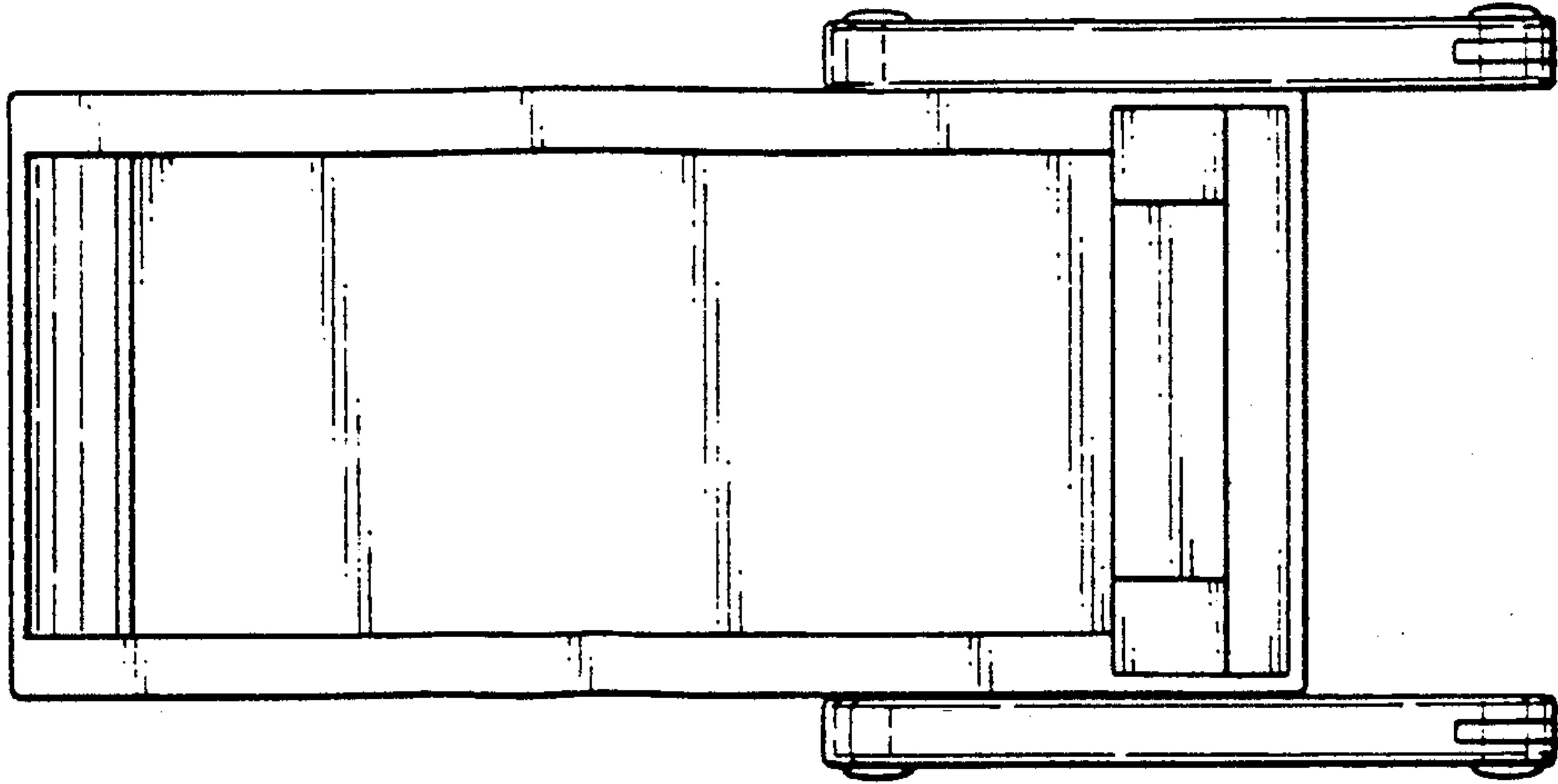


FIG. 3

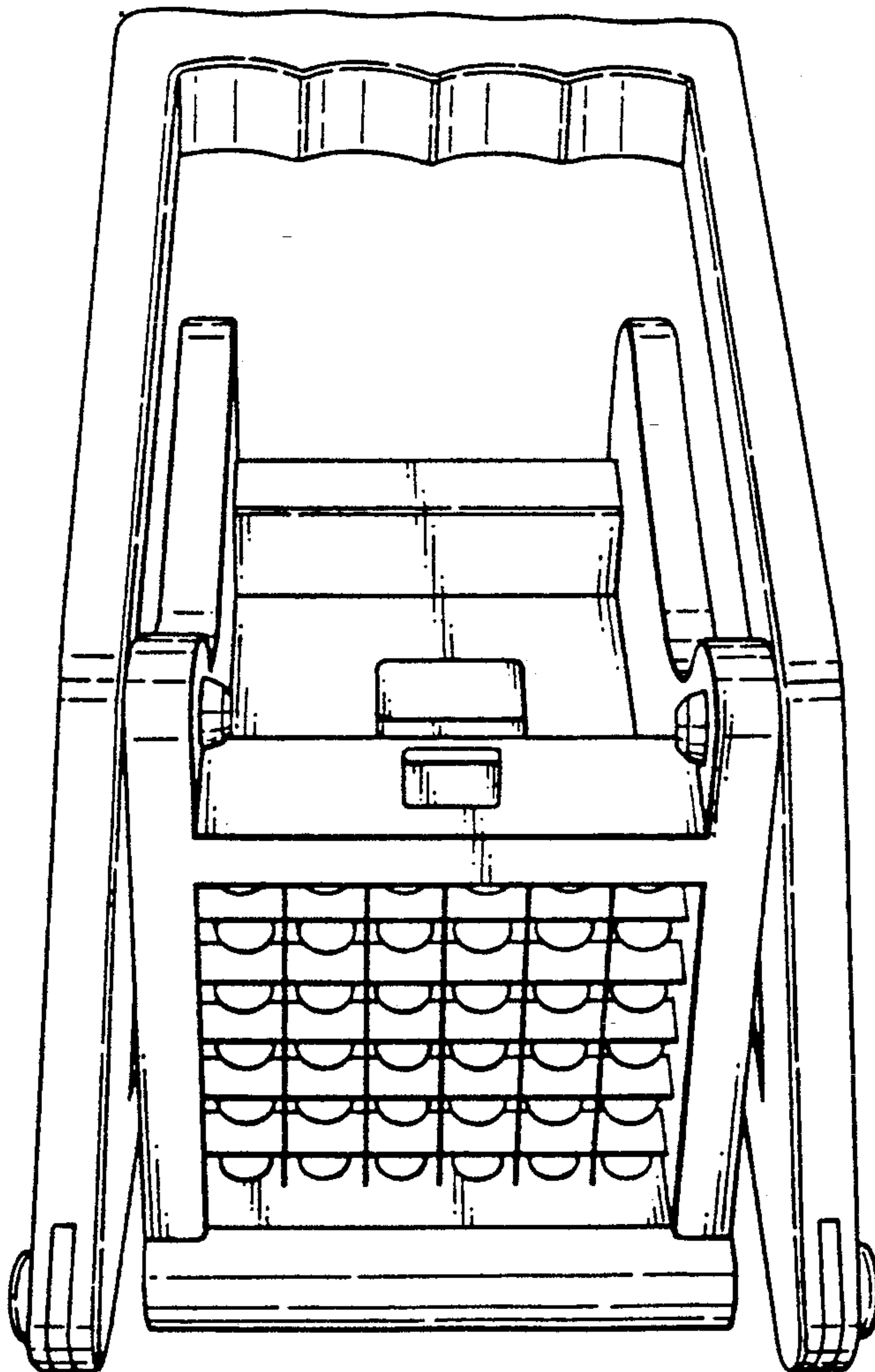


FIG. 4

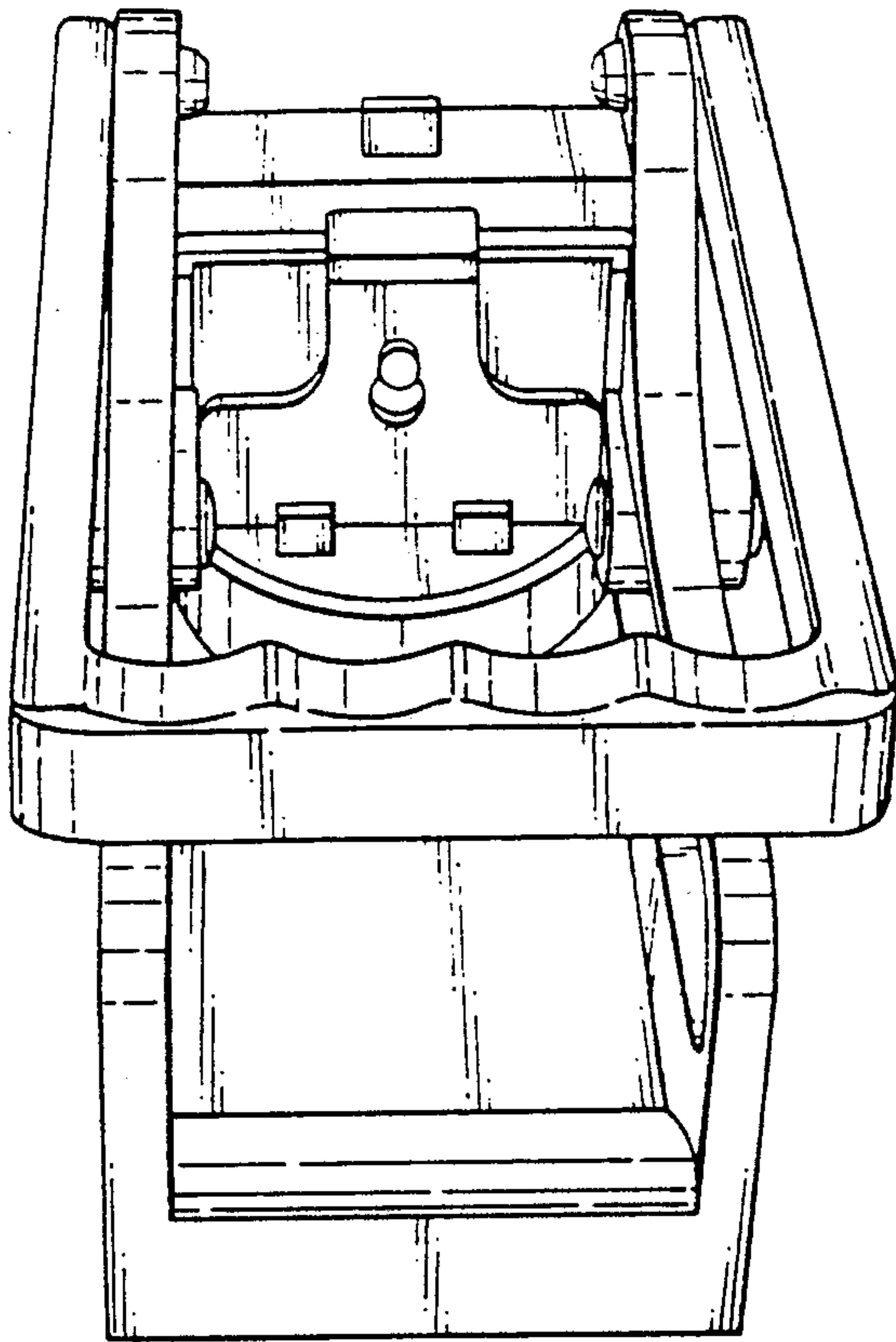


FIG. 5

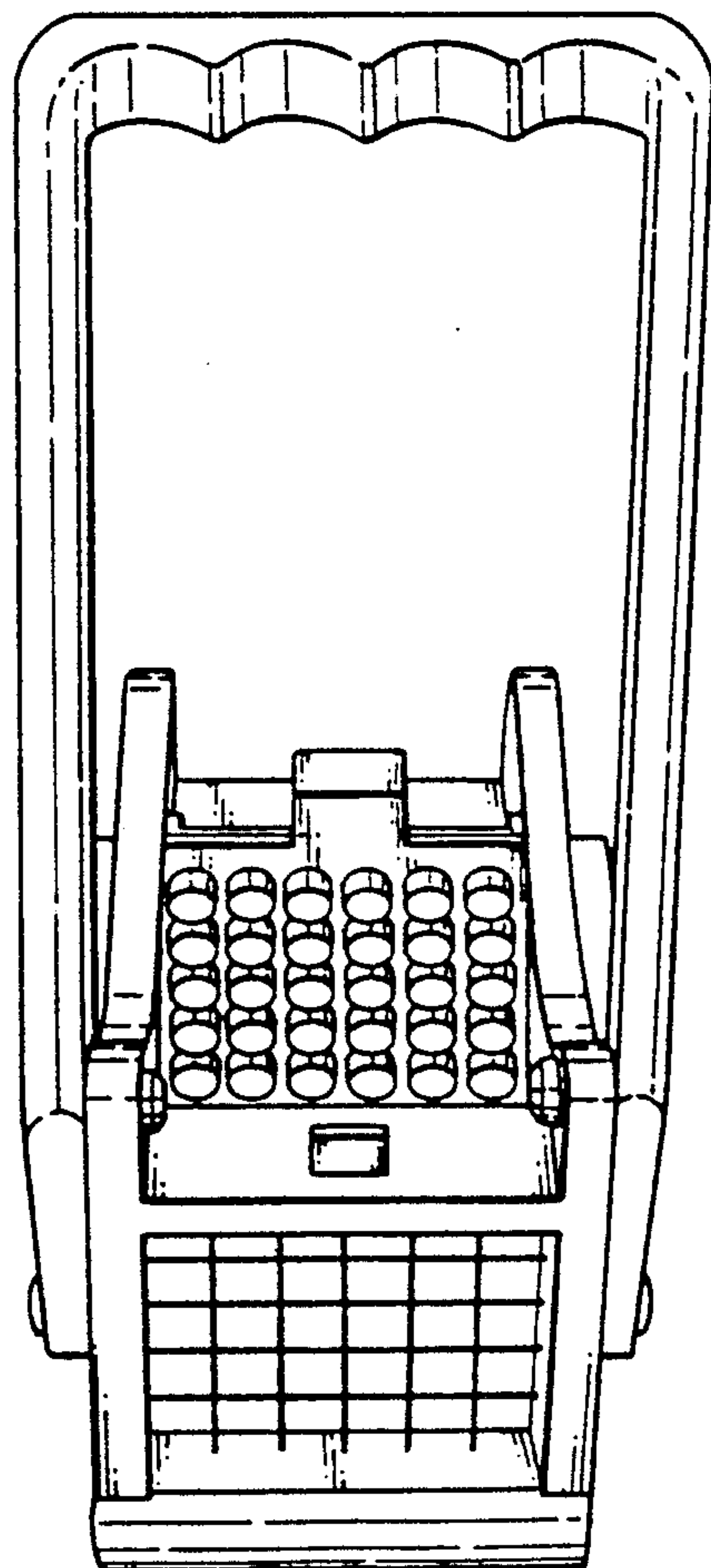


FIG. 6

FIG. 7

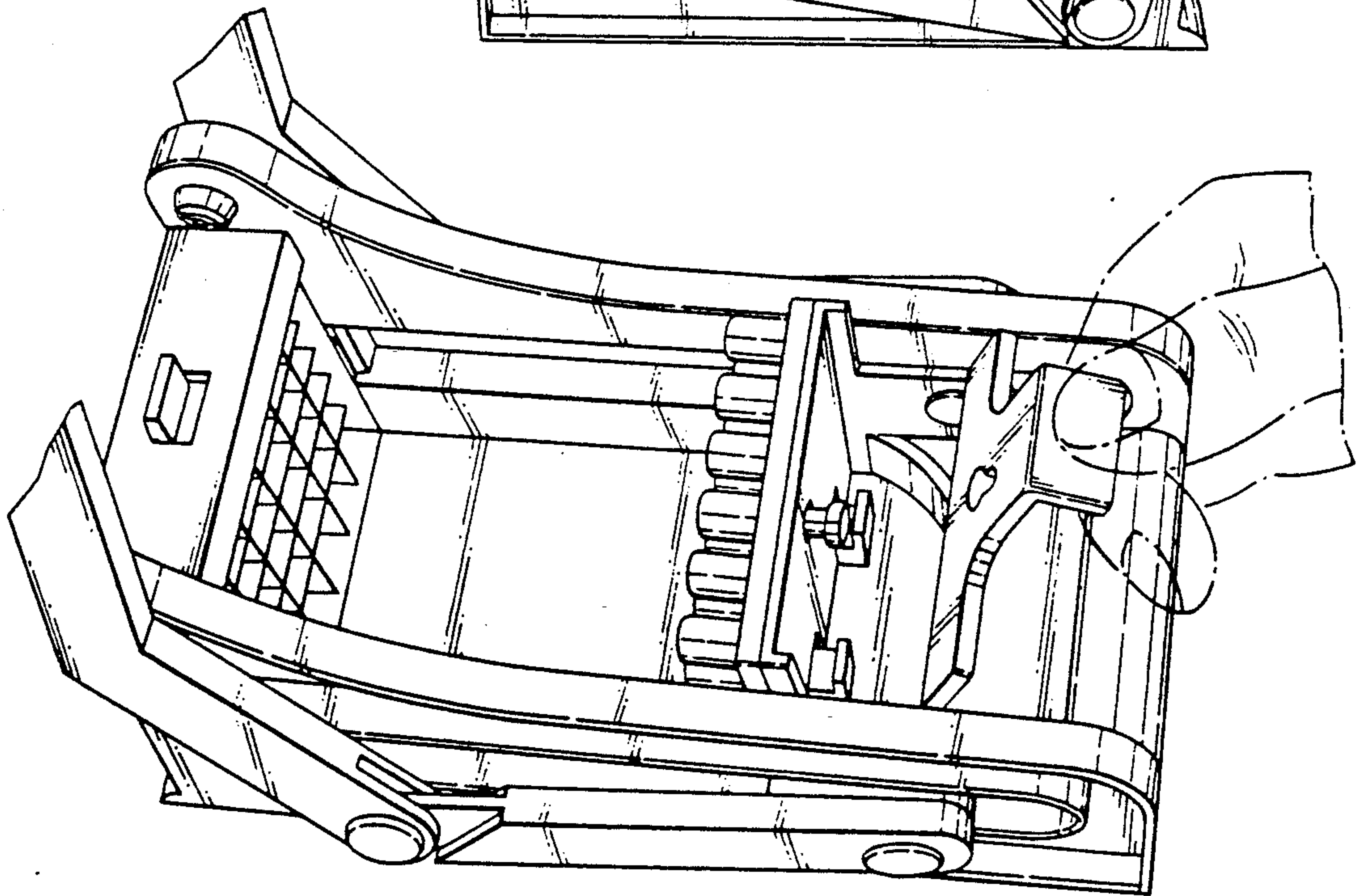
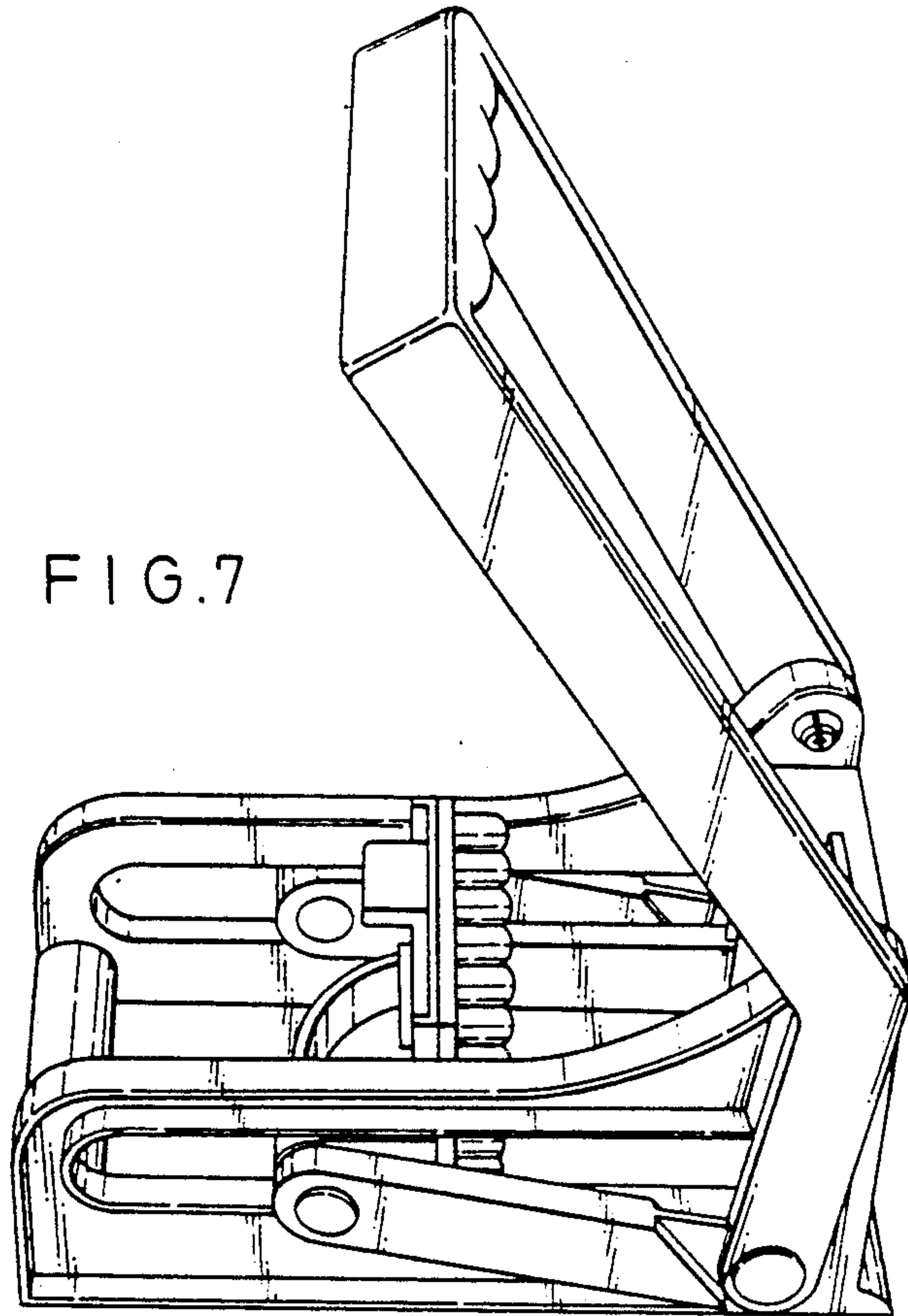


FIG. 8