



US00D327819S

United States Patent [19]

Hill, Sr.

[11] Patent Number: **Des. 327,819**

[45] Date of Patent: **** Jul. 14, 1992**

- [54] **CONDIMENT DISPENSING TRAY FOR RESTAURANT TABLE**
- [76] Inventor: **Herbert M. Hill, Sr., 2213 Spaulding, Dixmoor, Ill. 60426**
- [**] Term: **14 Years**
- [21] Appl. No.: **595,002**
- [22] Filed: **Oct. 9, 1990**
- [52] U.S. Cl. **D7/590**
- [58] Field of Search **D7/589, 590; D6/466, D6/467; 211/13, 71, 74, 77**

D. 286,845 11/1986 Jones D7/590

Primary Examiner—Terry A. Pfeffer
Attorney, Agent, or Firm—Milton S. Gerstein; Marvin N. Benn

[57] CLAIM

The ornamental design for a condiment dispensing tray for restaurant table, as shown and described.

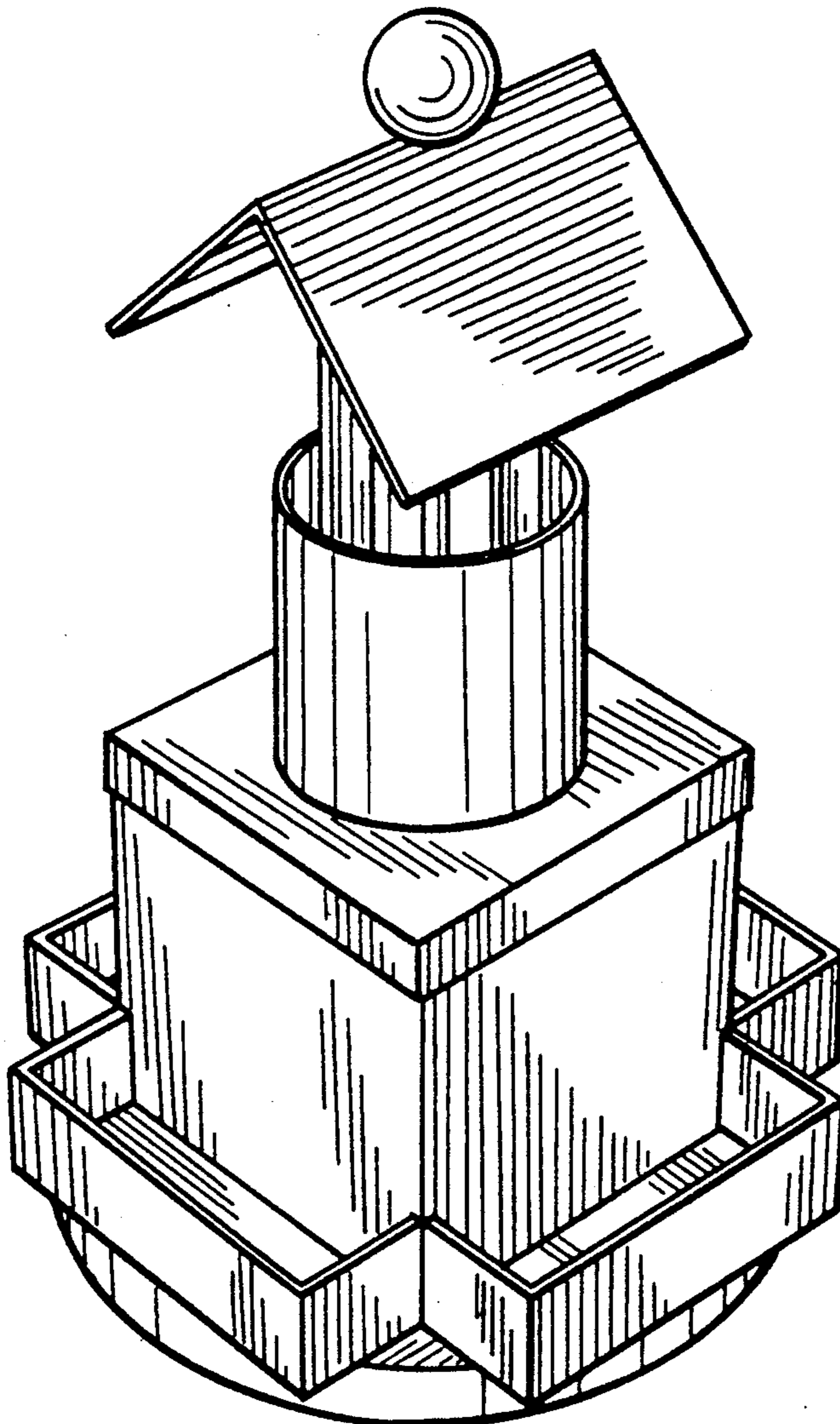
DESCRIPTION

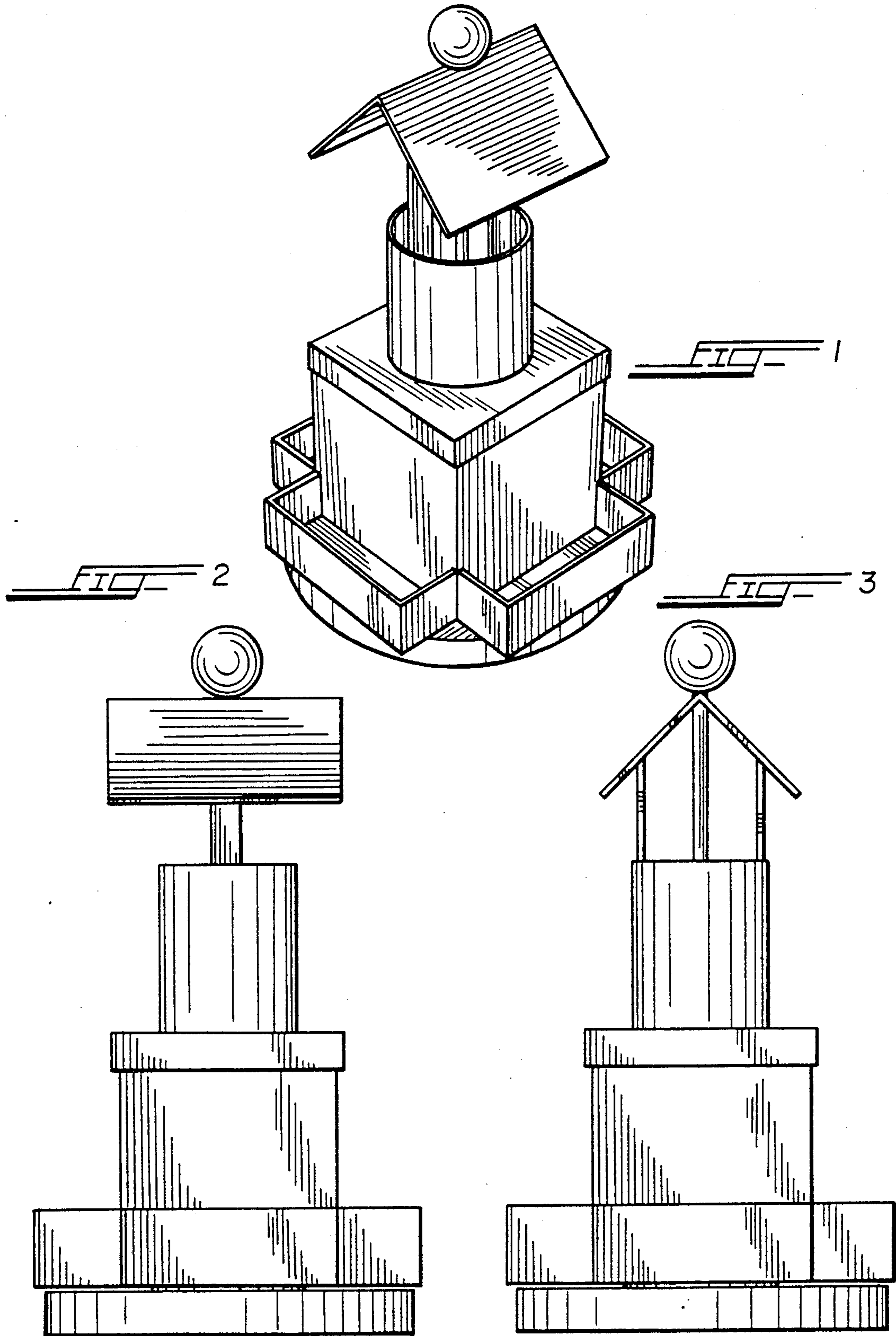
FIG. 1 is a perspective view of the condiment dispensing tray for restaurant table showing my new design; FIG. 2 is a right side elevational view thereof, the opposite side being a mirror image; FIG. 3 is a front elevational view thereof, the opposite side being a mirror image; FIG. 4 is a top plan view thereof; and, FIG. 5 is a bottom plan view thereof.

[56] References Cited

U.S. PATENT DOCUMENTS

- D. 85,691 12/1931 Hamilton D6/467
- D. 91,693 3/1934 Cleef D6/467 X





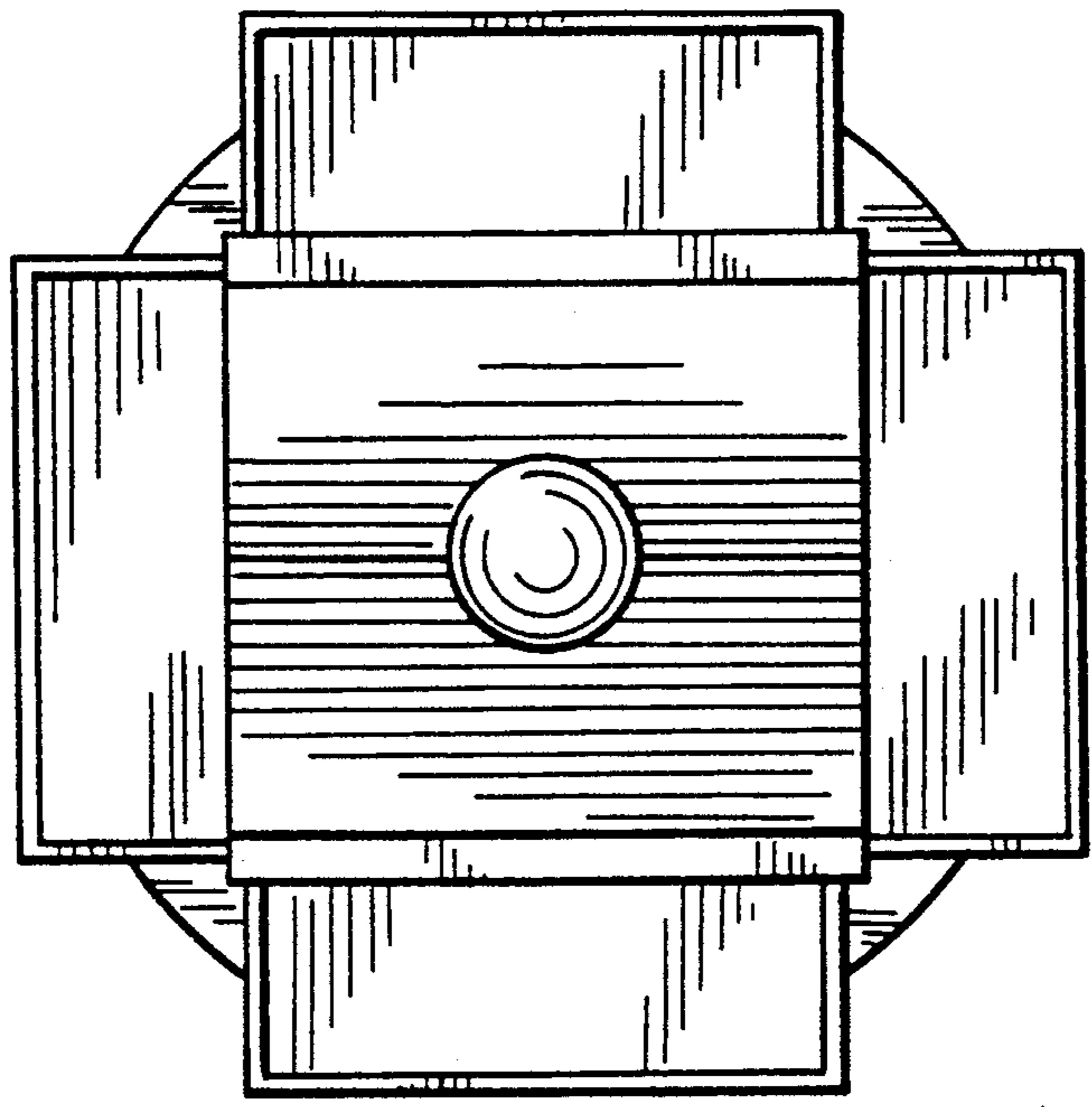


FIG. 4

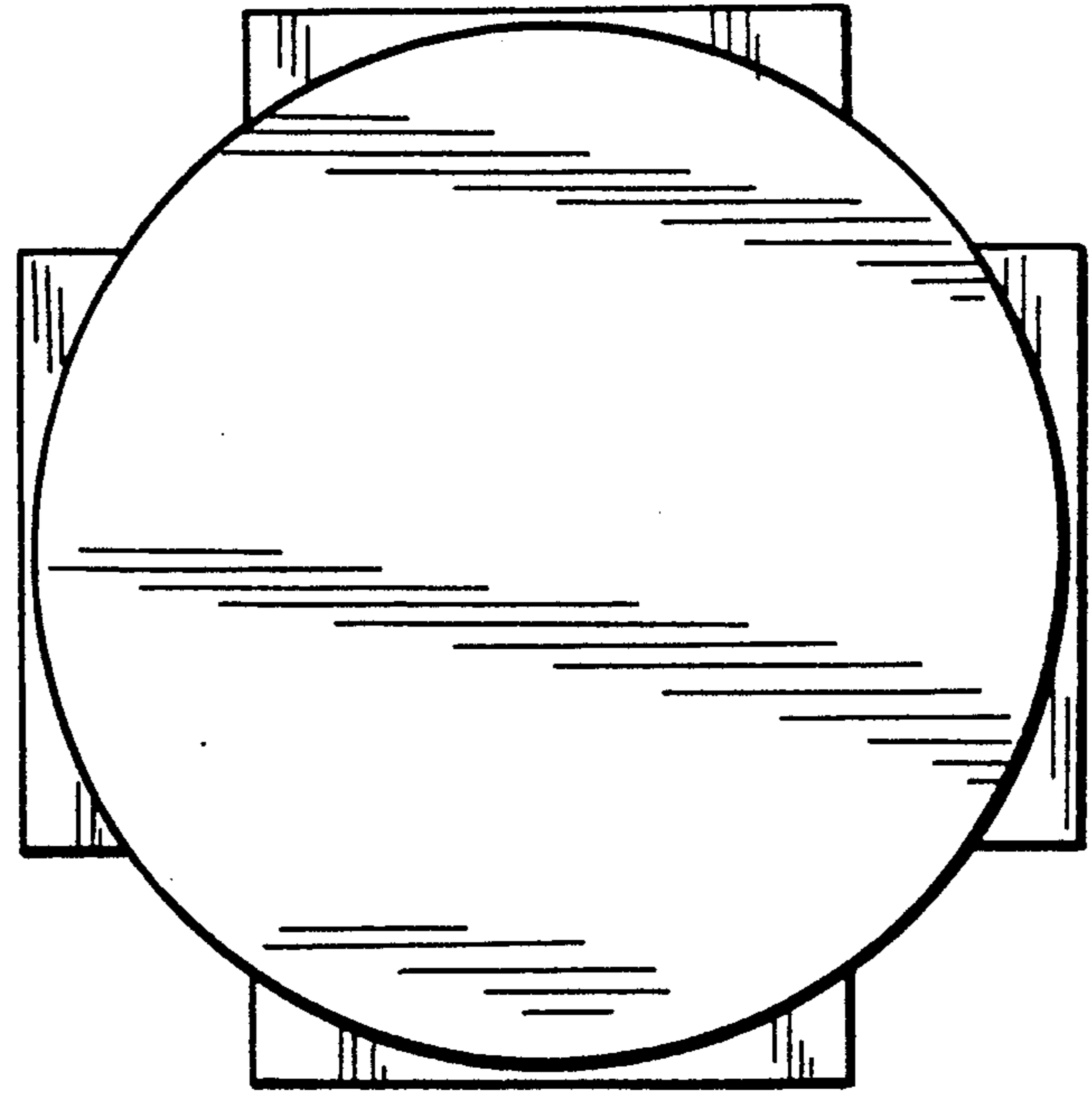


FIG. 5