



US00D327807S

United States Patent [19] Jung

[11] Patent Number: **Des. 327,807**
[45] Date of Patent: **** Jul. 14, 1992**

[54] **SMOKELESS COOKING GRILL**
[76] Inventor: **Kwan-Soon Jung, #103 Keyongnam
Mansion Apt., 512-17
Deungchon-Dong, Kangseo-Ku,
Seoul, Rep. of Korea**

[**] Term: **14 Years**
[21] Appl. No.: **382,954**
[22] Filed: **Jul. 21, 1989**

[30] **Foreign Application Priority Data**
Mar. 29, 1989 [KR] Rep. of Korea 89-3929
[52] U.S. Cl. **D7/387; D7/337;
D7/363**
[58] **Field of Search** **D7/387, 323, 337, 338,
D7/340, 346, 363, 629; D6/335, 336, 337;
126/39 F, 39 K, 39 R, 214 R; 237/46; 62/459,
457.6**

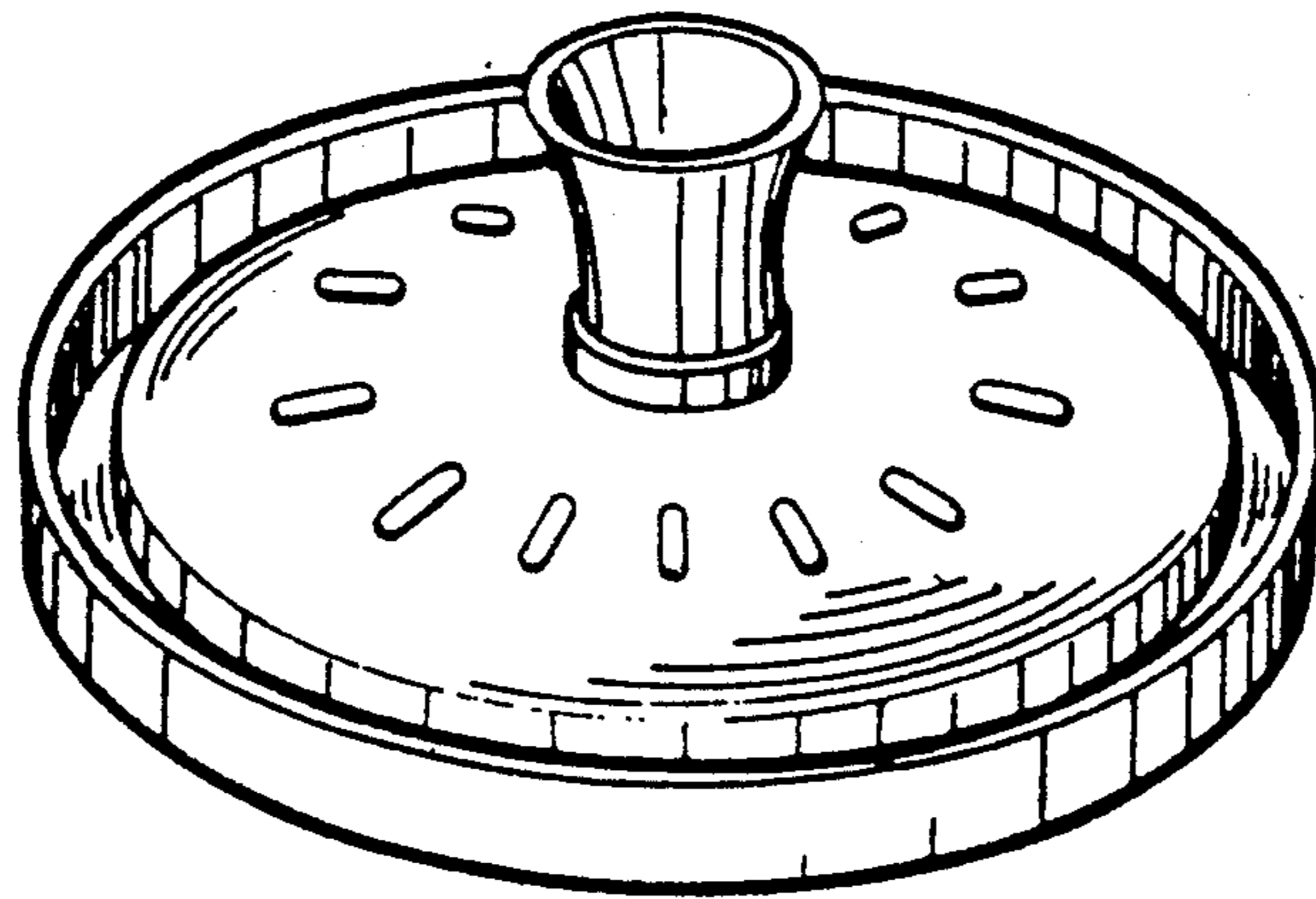
[56] **References Cited**
U.S. PATENT DOCUMENTS
D. 172,672 6/1954 Lennox D7/337
D. 182,266 3/1958 Alexander D7/337
D. 191,970 12/1961 Hecht D7/337

D. 244,985 7/1977 Folke D7/337
D. 249,863 10/1978 Fischer D7/363
D. 258,713 3/1981 Harper D7/337
2,034,478 3/1936 Levy 62/457.6
3,065,327 11/1962 Coultrip 126/214 R
3,323,508 6/1967 Holman D7/337 X
3,451,328 6/1969 Swett D7/629 X
4,430,559 2/1984 Rabay D7/338 X

Primary Examiner—Donald P. Walsh
Assistant Examiner—M. N. Pandozzi
Attorney, Agent, or Firm—James D. Hall

[57] **CLAIM**
The ornamental design for a smokeless cooking grill, as shown and described.

DESCRIPTION
FIG. 1 is a top perspective view of a smokeless cooking grill, showing my new design;
FIG. 2 is a bottom perspective view thereof;
FIG. 3 is a top plan view thereof;
FIG. 4 is a front elevational view thereof;
FIG. 5 is a bottom plan view thereof;
FIG. 6 is a rear elevational view thereof;
FIG. 7 is a left side elevational view, the right side being a mirror image thereof; and,
FIG. 8 is a longitudinal, sectional view thereof.



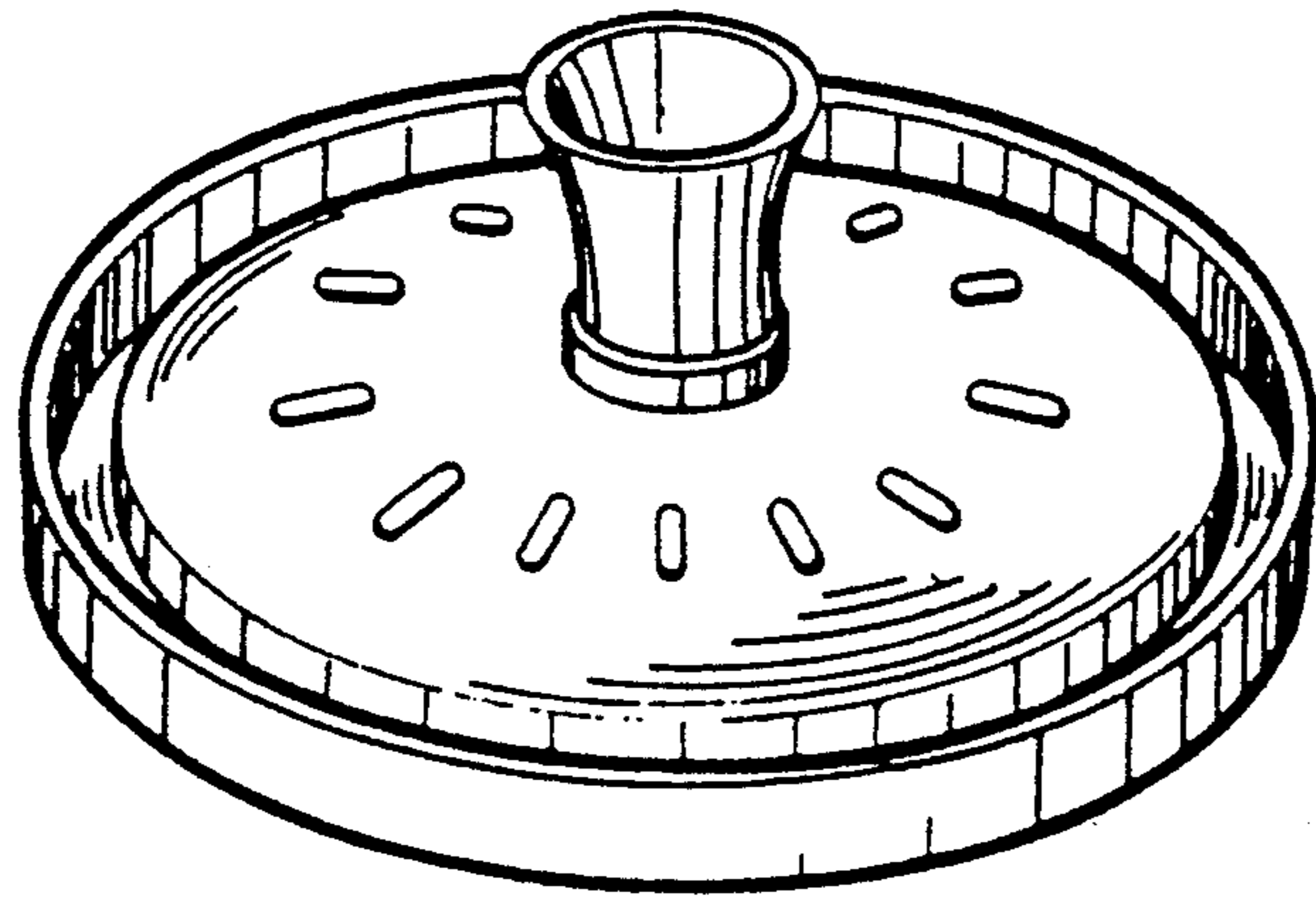


Fig. 1

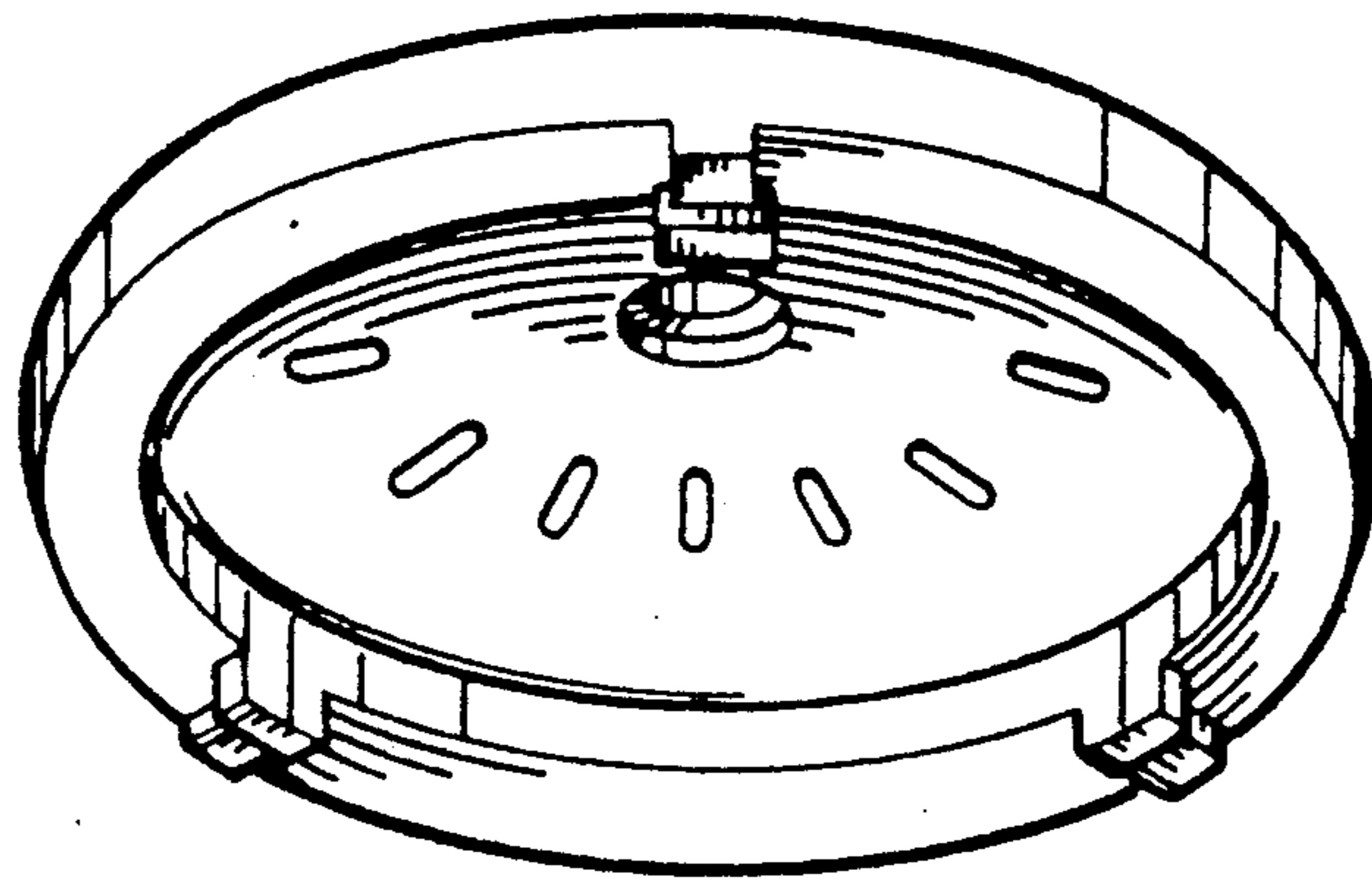


Fig. 2

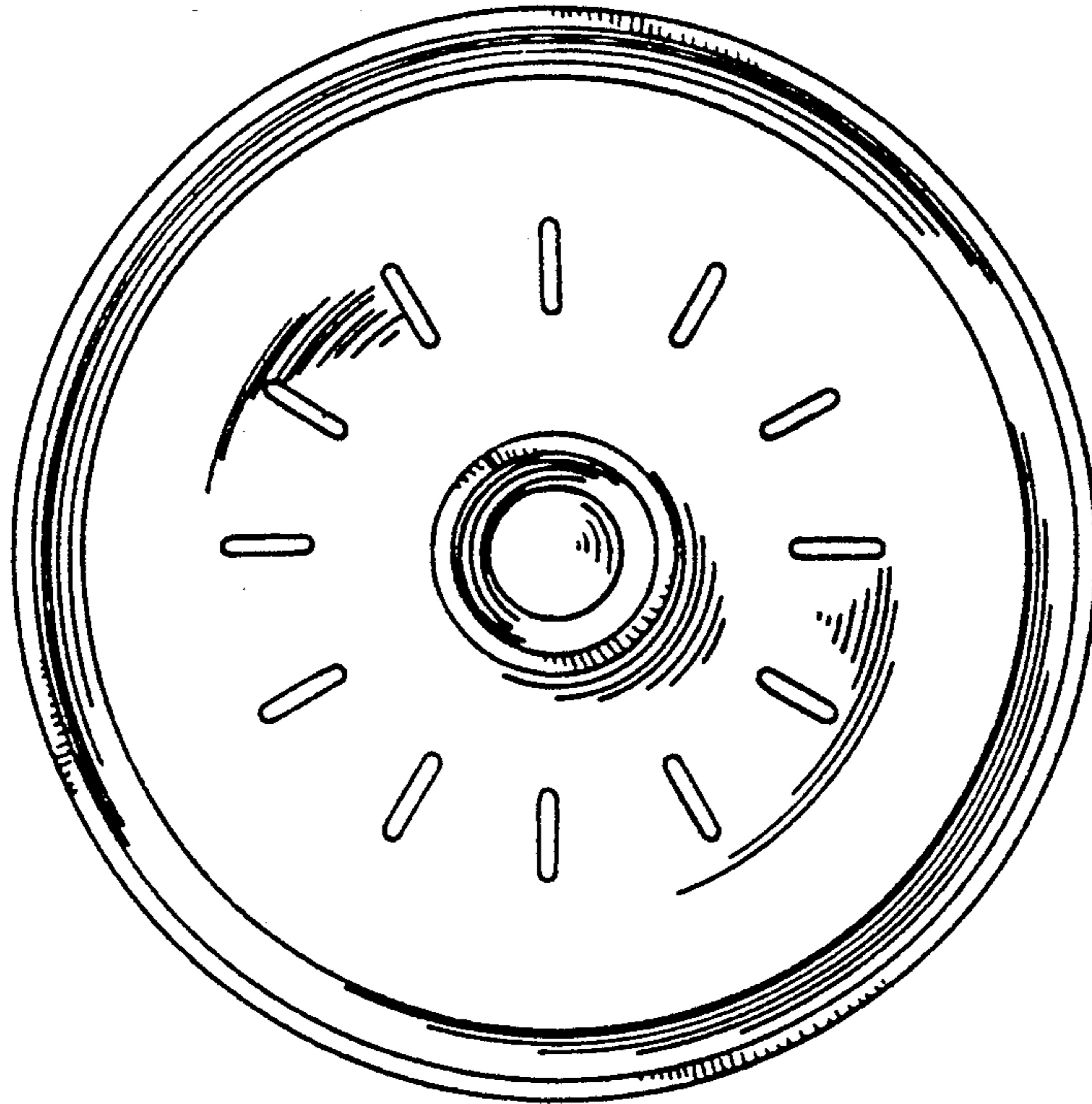


Fig. 3

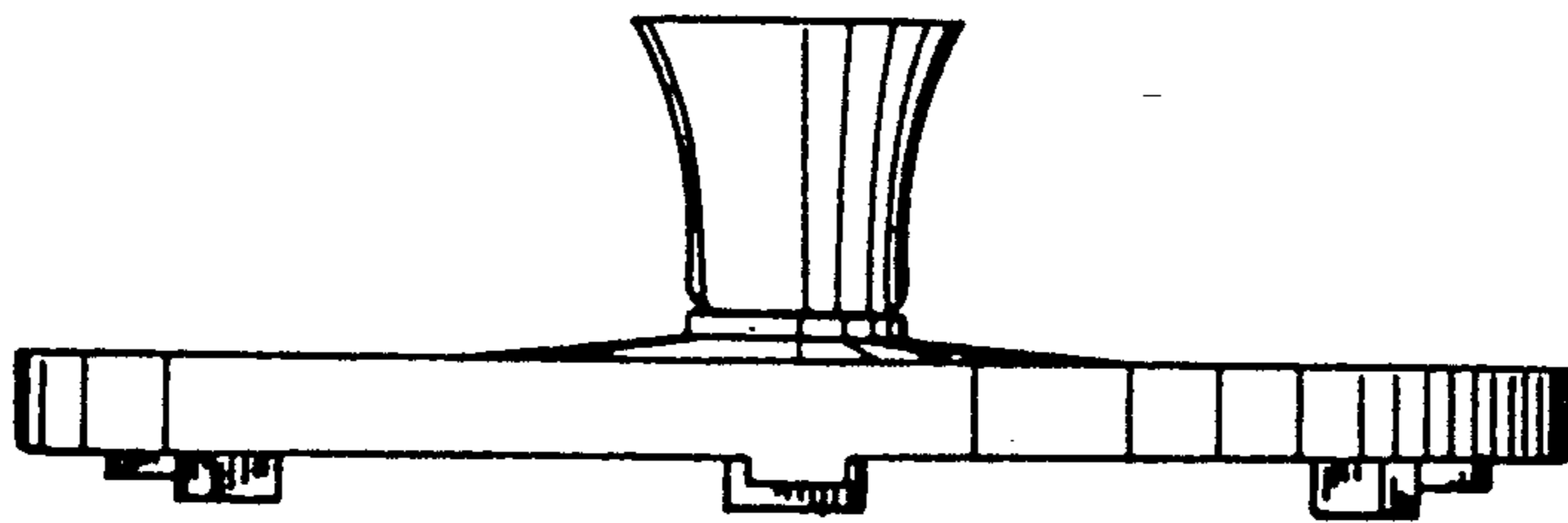


Fig. 4

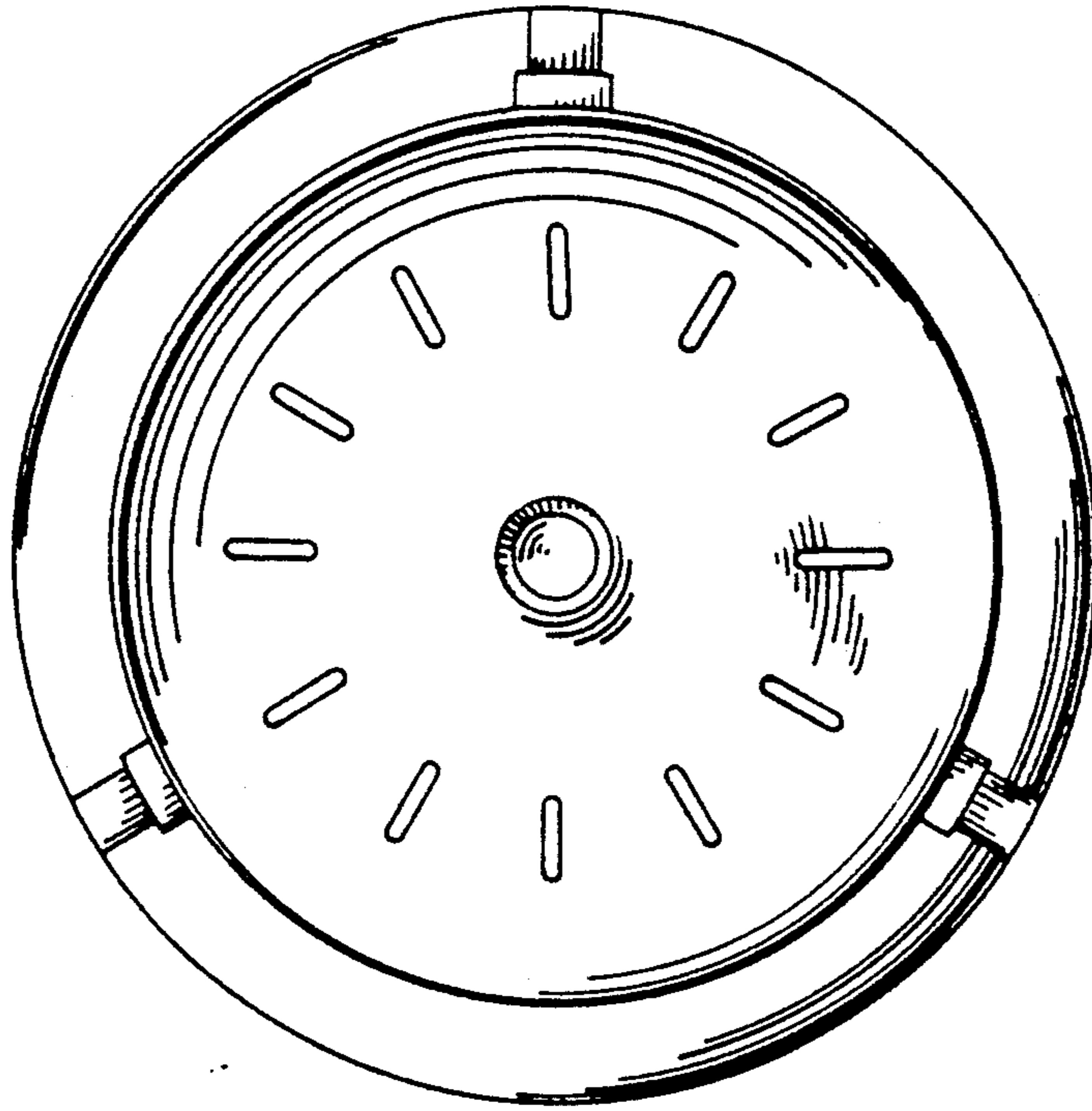


FIG. 5

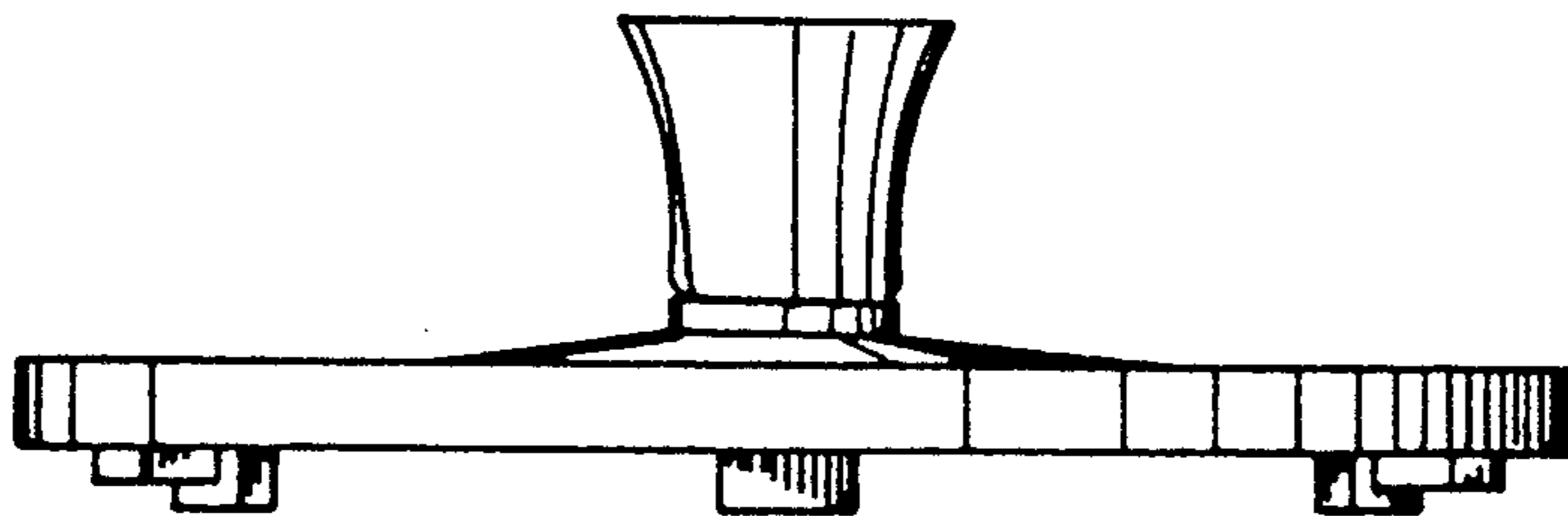


FIG. 6

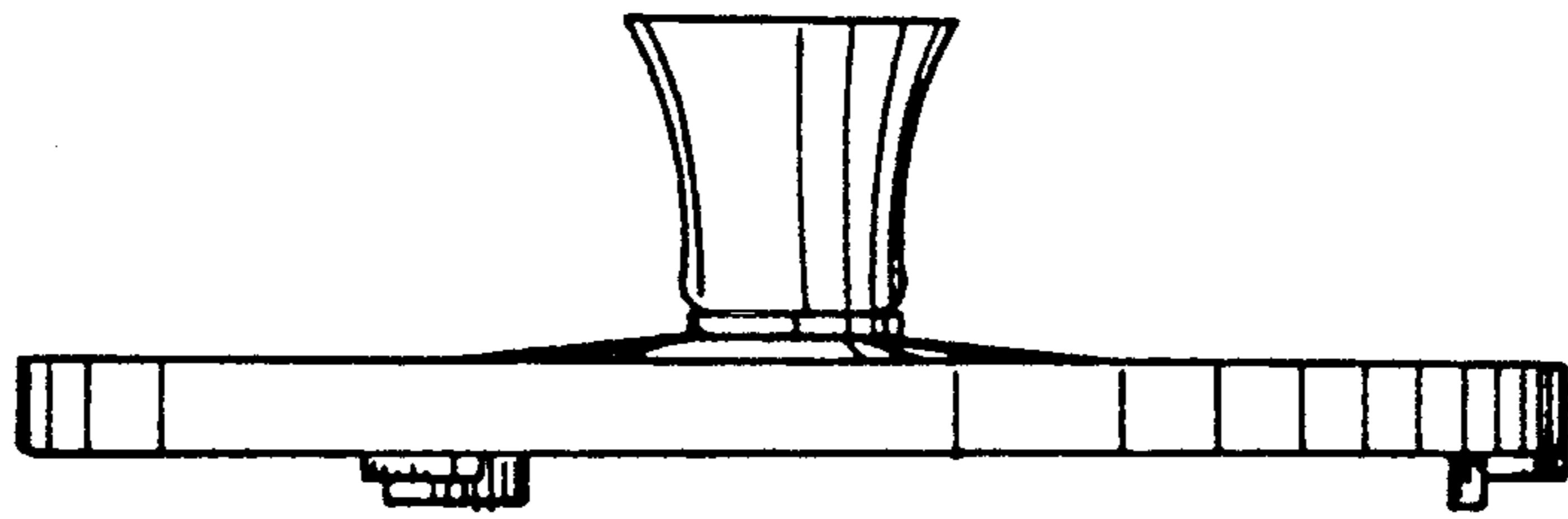


Fig. 7

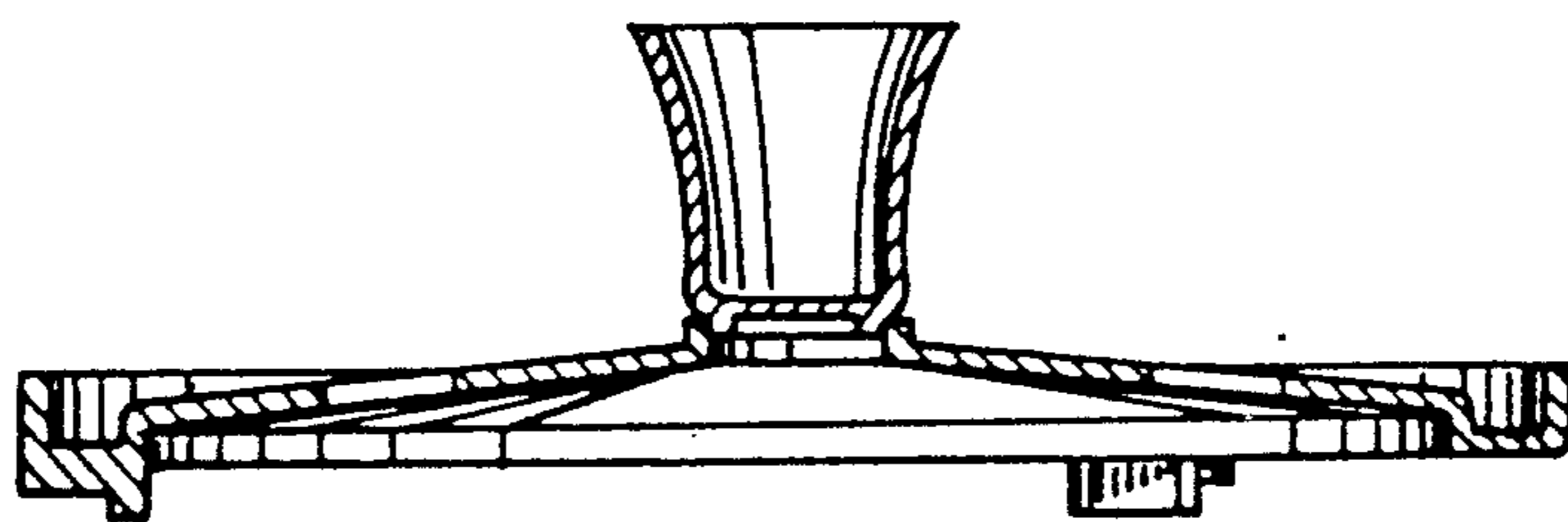


Fig. 8