



US00D327806S

United States Patent [19]

Fleche

[11] Patent Number: **Des. 327,806**

[45] Date of Patent: **** Jul. 14, 1992**

[54] **FOOD PROCESSOR**

3,032,087 5/1962 Rodwick D7/412 X

[75] Inventor: **Michel Fleche, Blanzly, France**

OTHER PUBLICATIONS

[73] Assignee: **Robot Coupe SA., Montceau Les Mines, France**

HFD—Retailing Home Furnishings, Nov. 17, 1980, Sec. One, p. 38, Food Processor—Computerized Products/-Touch Controls.

[**] Term: **14 Years**

Primary Examiner—Winifred E. Herrmann
Attorney, Agent, or Firm—Thomas A. O'Rourke

[21] Appl. No.: **225,014**

[22] Filed: **Jul. 27, 1988**

[57] CLAIM

[30] Foreign Application Priority Data

The ornamental design for a food processor, as shown and described.

Jan. 29, 1988 [FR] France 88 0555

DESCRIPTION

[52] U.S. Cl. **D7/384**

[58] Field of Search **D7/412-413, D7/384, 386, 376, 377, 378, 381, 383; 241/37.5**

FIG. 1 is a front elevational view of a food processor showing my new design;

FIG. 2 is a right side elevational view thereof;

FIG. 3 is a perspective view of the top and right side thereof;

FIG. 4 is a left side elevational view thereof;

FIG. 5 is a rear elevational view thereof;

FIG. 6 is a top plan view thereof; and,

FIG. 7 is a bottom plan view thereof.

[56] References Cited

U.S. PATENT DOCUMENTS

- D. 242,208 11/1976 Madl et al. D7/386
- D. 251,231 3/1979 Hashimoto D7/384
- D. 256,087 7/1980 Minami D7/384

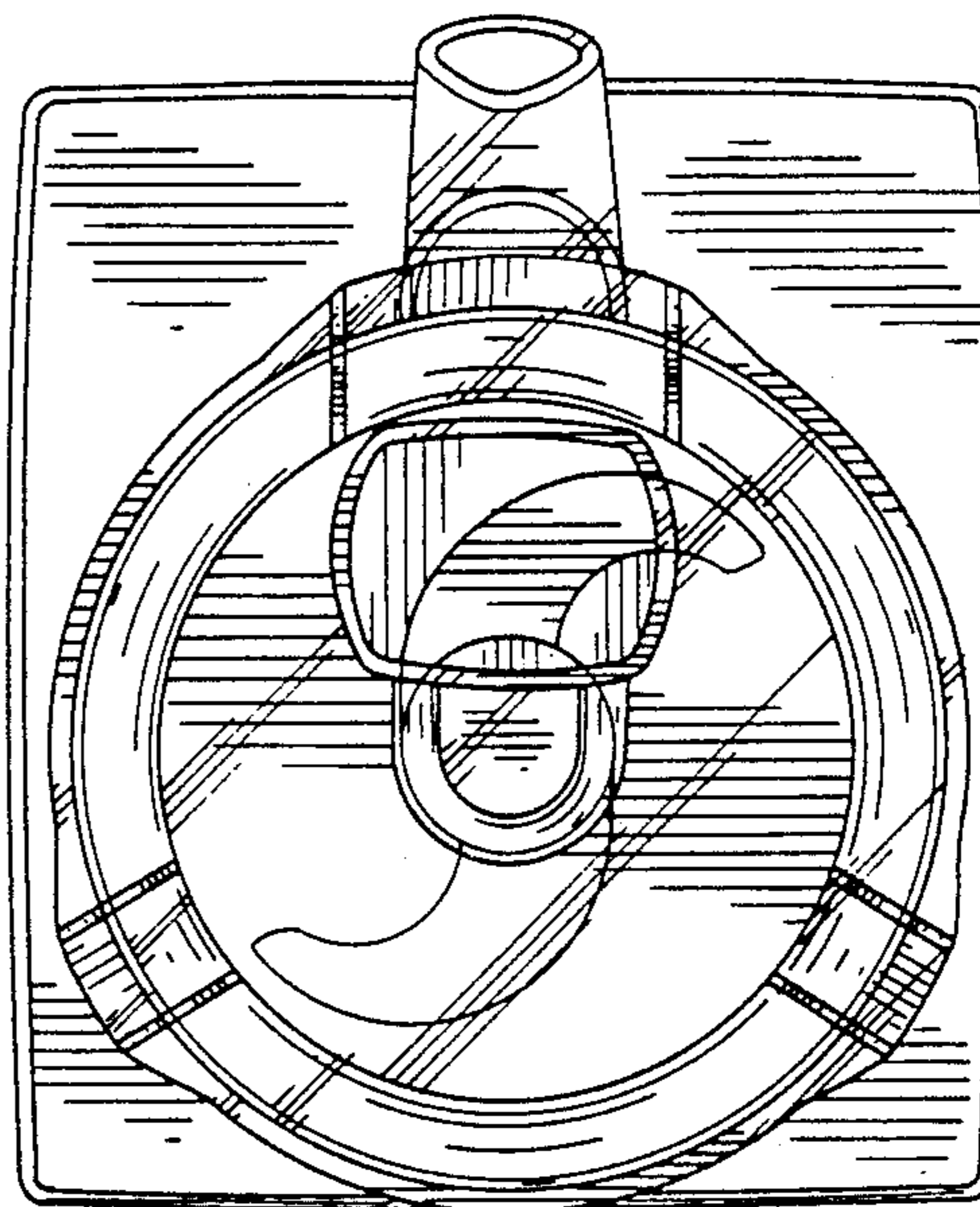
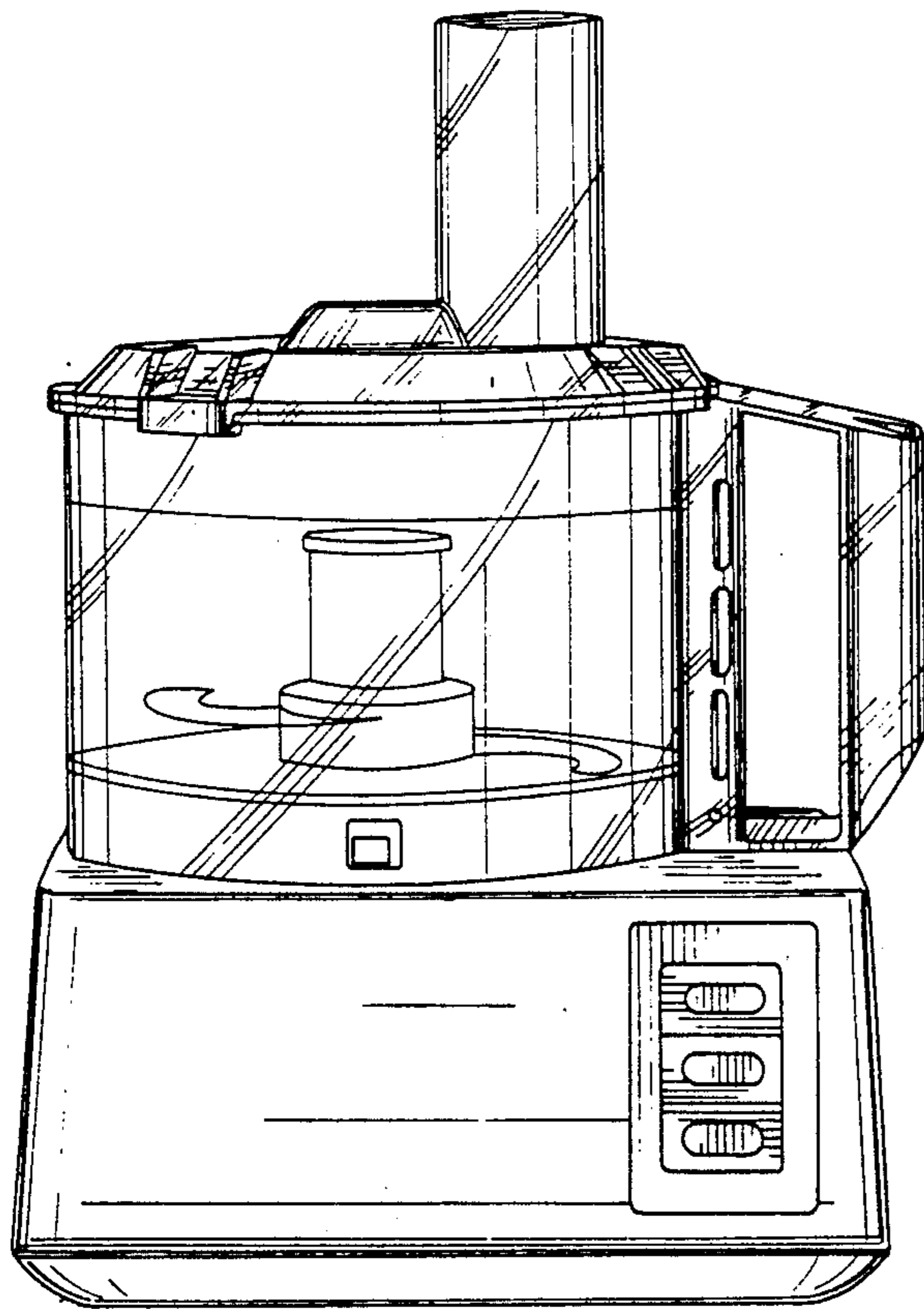


FIG. 1

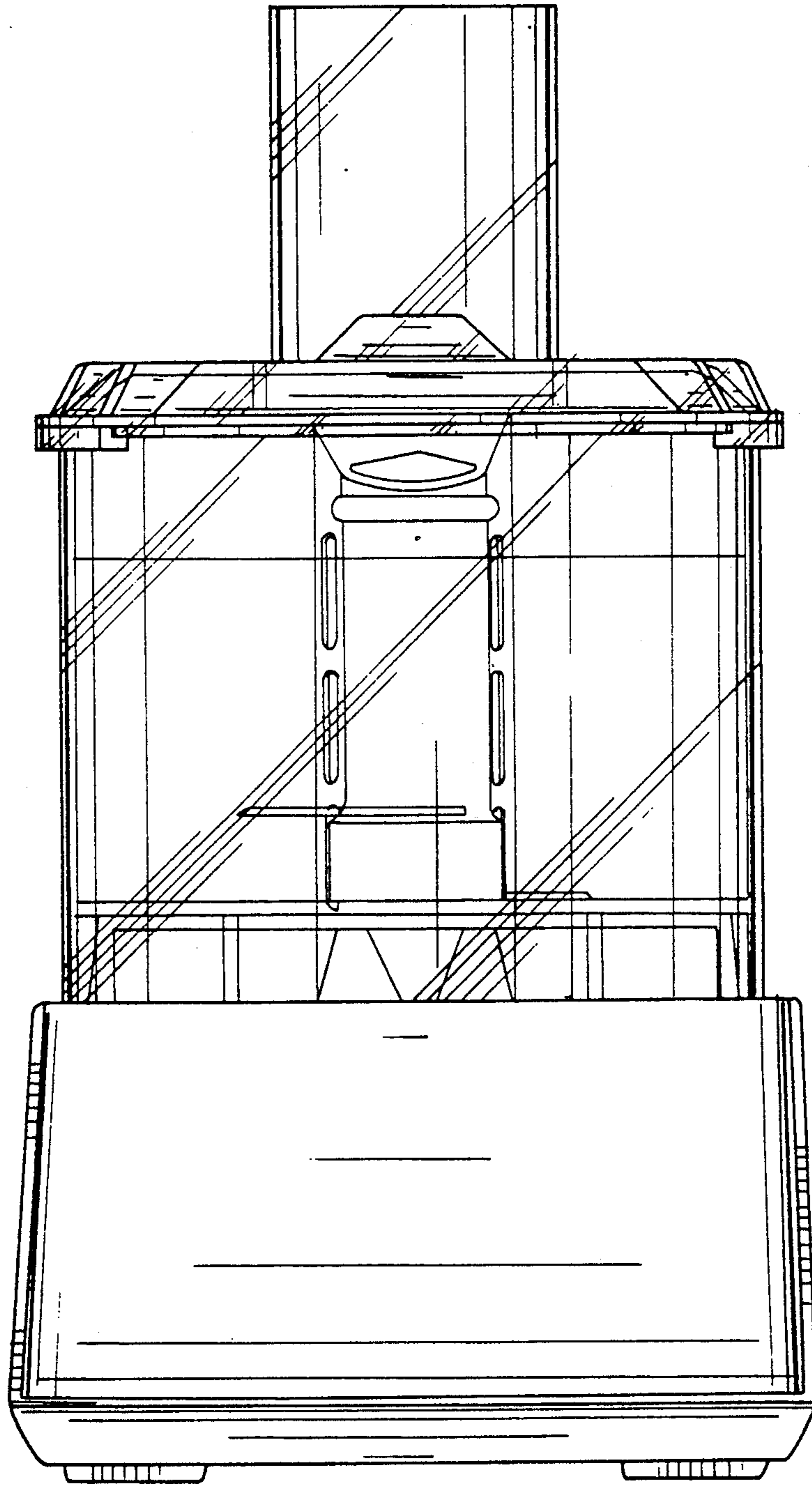


FIG. 2

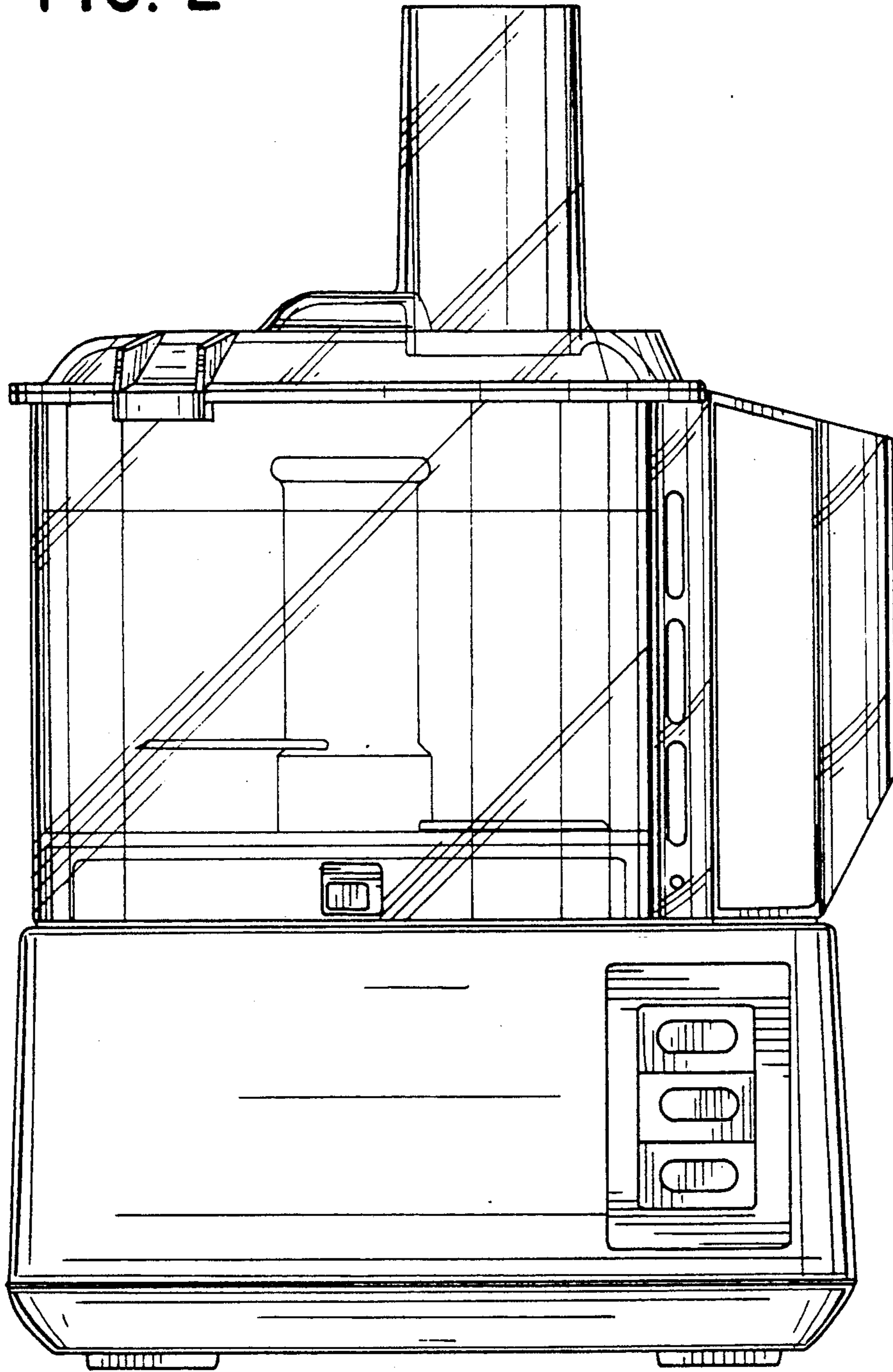


FIG. 3

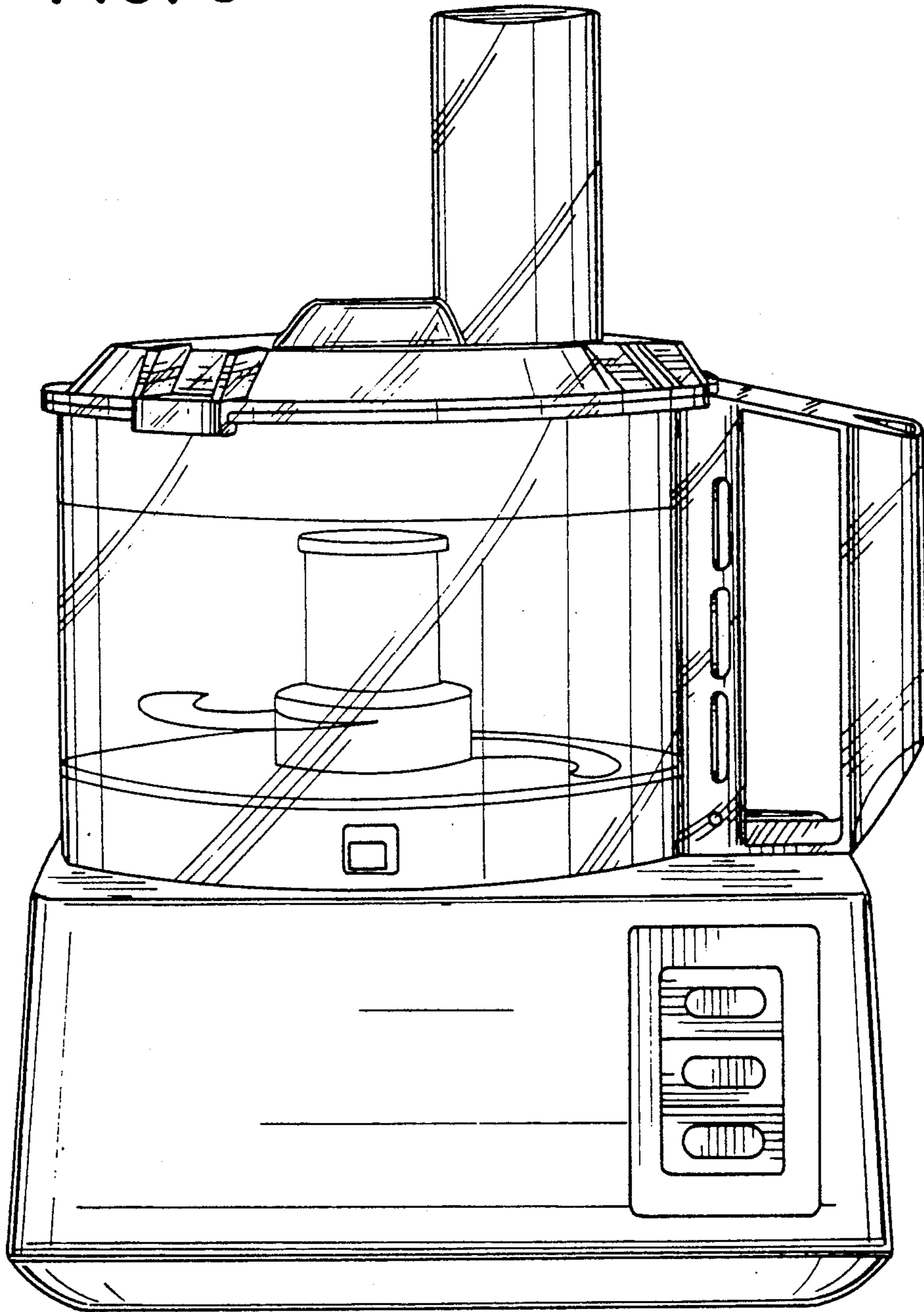


FIG. 4

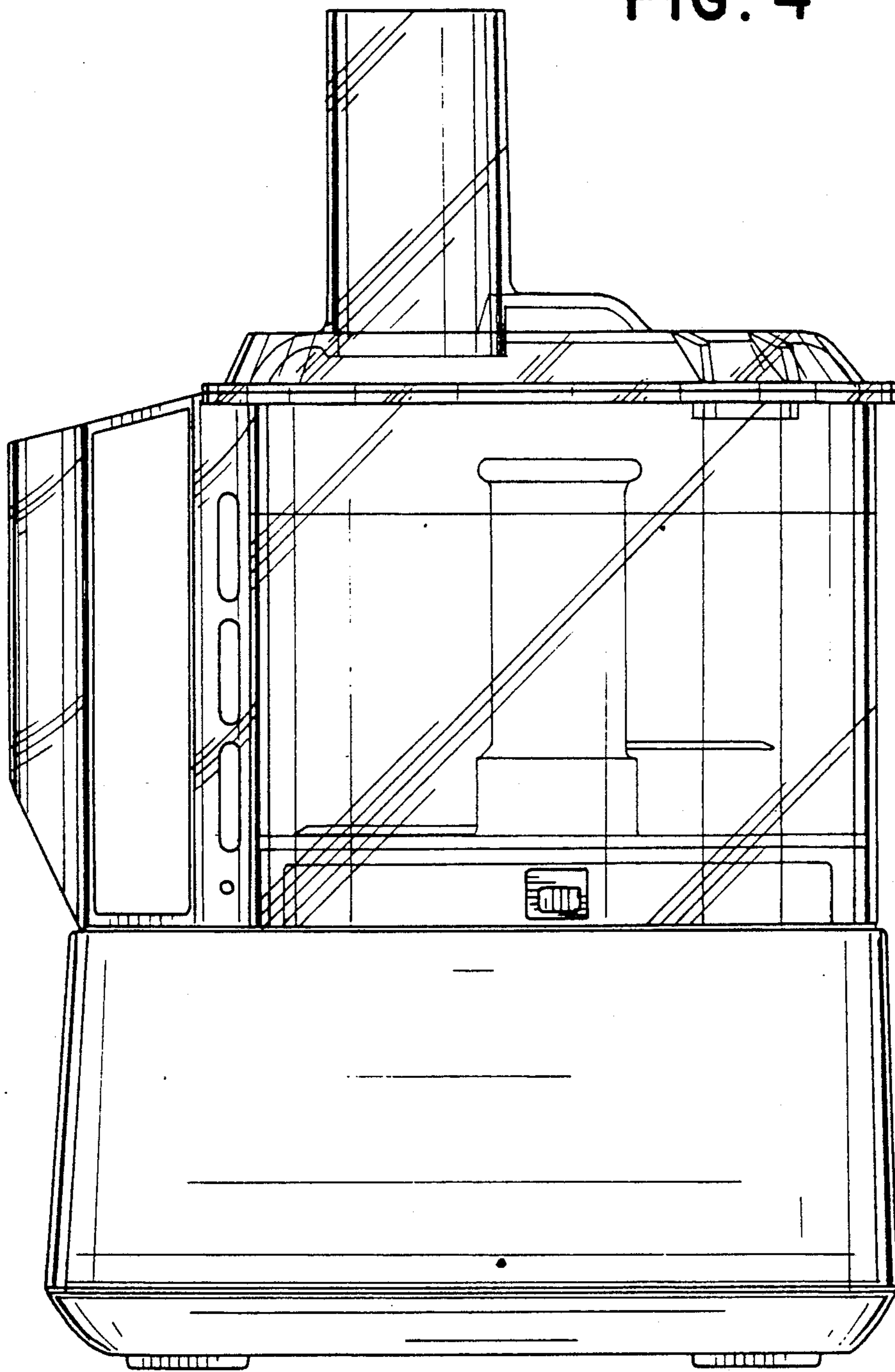


FIG. 5

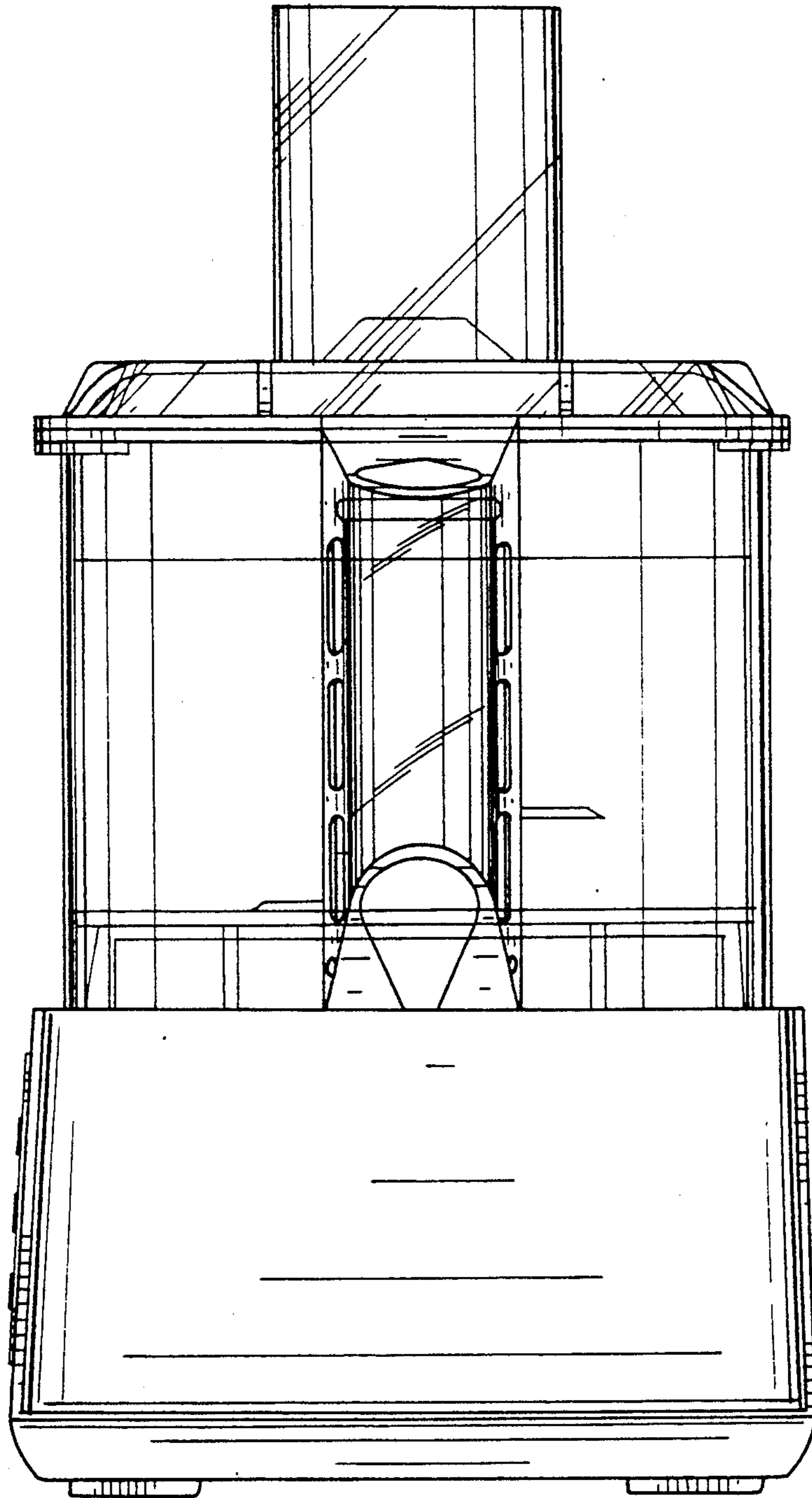


FIG. 6

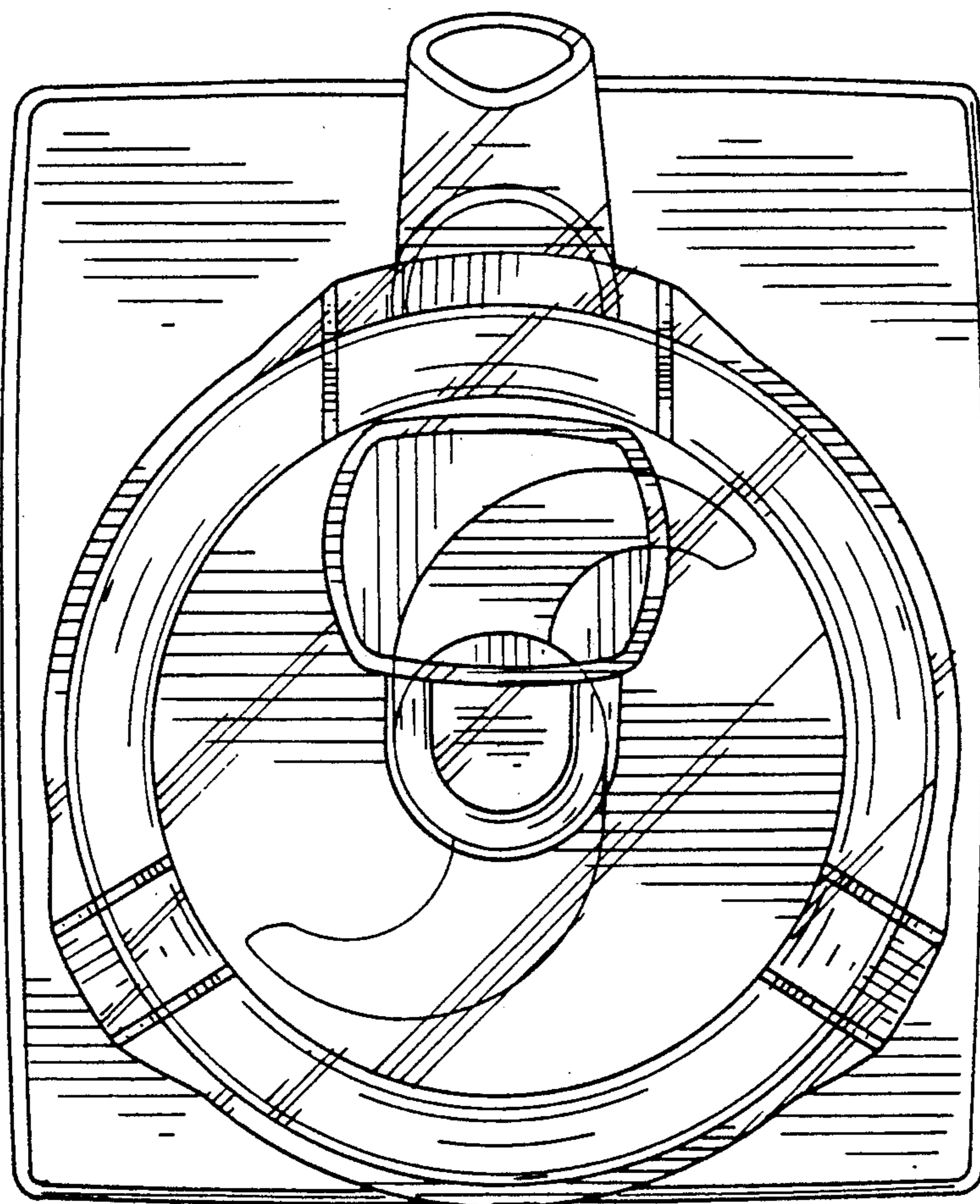


FIG. 7

