



US00D327805S

United States Patent [19]

[11] Patent Number: **Des. 327,805**

Parent et al.

[45] Date of Patent: **** Jul. 14, 1992**

- [54] **COMBINED KETTLE AND SIDE TABLES FOR A BARBEQUE GRILL**
- [75] Inventors: **James R. Parent; Frederick G. Doolittle, both of Dublin; Ronald E. Heiskell, Tracy; Jon L. Ellgen, Pleasant Hill; Thomas M. Lipton, Concord; Frank M. Knafelc, Lafayette, all of Calif.**
- [73] Assignee: **The Clorox Company, Oakland, Calif.**
- [*] Notice: **The portion of the term of this patent subsequent to Apr. 14, 2006 has been disclaimed.**
- [**] Term: **14 Years**
- [21] Appl. No.: **307,431**
- [22] Filed: **Feb. 7, 1989**
- [52] U.S. Cl. **D7/334; D7/332**
- [58] Field of Search **D7/331, 332, 334, 335, D7/337; 126/25 R, 25 A, 25 AA, 25 B, 29-30, 26, 37 R**

- 4,337,751 6/1982 Sampson et al. 126/25 R
- 4,340,002 6/1983 Daily, III 126/25 R
- 4,362,093 12/1983 Griscom 99/339
- 4,453,530 6/1984 Schlosser 126/25 R
- 4,523,574 6/1985 Schlosser 126/25 R
- 4,635,613 1/1987 Tucker et al. 126/25 R
- 4,718,399 1/1988 Shepherd 126/25 R

FOREIGN PATENT DOCUMENTS

- 3302838 3/1984 Fed. Rep. of Germany .

OTHER PUBLICATIONS

- Weber, "It's Great Outdoors," brochure, 1989.
- U.S. Trademark Reg. 1,481,521 (Misc. Design) Mar. 22, 1988.
- U.S. Trademark Reg. 1,481,520 (Misc. Design) Mar. 22, 1988.
- U.S. Trademark Reg. 1,479,505 (Misc. Design) Mar. 8, 1988.
- U.S. Trademark Reg. 1,478,530 (Misc. Design) Mar. 1, 1988.

Primary Examiner—A. Hugo Word
Assistant Examiner—Doris V. Coles
Attorney, Agent, or Firm—Joel J. Hayashida; Michael J. Mazza; Stephen M. Westbrook

[57] CLAIM

The ornamental design for a combined kettle and side tables for a barbeque grill, as shown and described.

DESCRIPTION

FIG. 1 is a front elevational view of a combined kettle and side table for a barbeque grill, showing our new design;

FIG. 2 is a top plan view thereof;

FIG. 3 is a left side elevational view thereof;

FIG. 4 is a bottom plan view thereof;

FIG. 5 is an enlarged partial rear and side perspective view in the closed position;

FIG. 6 is an enlarged rear and side perspective view thereof in the open position;

FIG. 7 is a front perspective view of a second embodiment, the rear of the kettle being the same as the first embodiment; and,

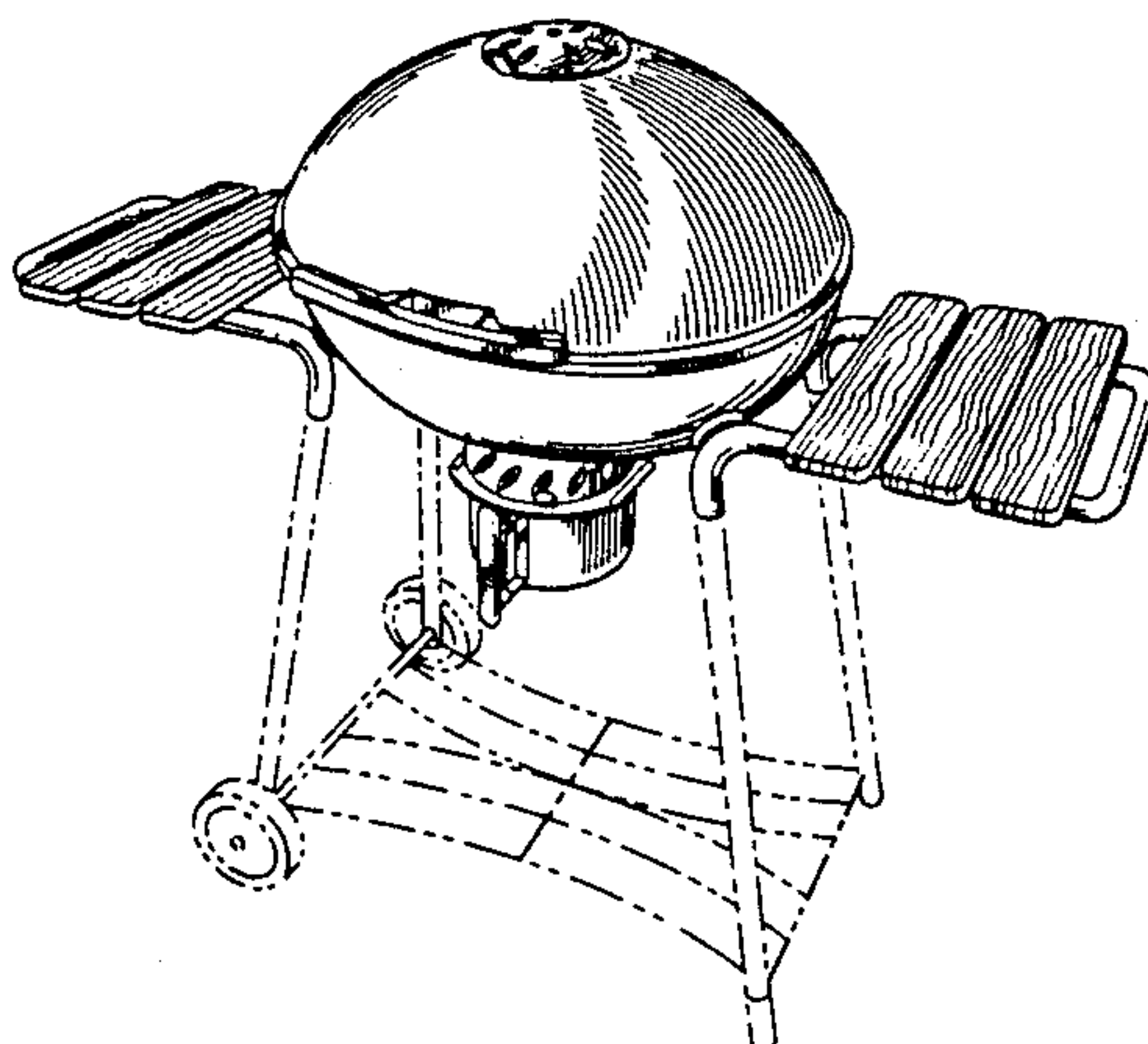
FIG. 8 is an enlarged bottom plan view of one of the side tables thereof.

The broken line showing of environmental in FIG. 7 is for illustrative purposes only and forms no part of the claimed design.

[56] References Cited

U.S. PATENT DOCUMENTS

- D. 139,850 12/1944 Frenning D81/10
- D. 196,996 11/1968 Kates D81/10
- D. 208,179 4/1969 King et al. D81/10
- D. 214,220 5/1969 ver Halen D81/10
- D. 215,250 9/1969 McClaren D81/10
- D. 219,413 12/1970 Glaser D81/10
- D. 219,629 12/1970 Koziol D81/10
- D. 223,042 2/1972 Wilkinson et al. D81/10
- D. 227,643 7/1973 Koziol D7/335
- D. 233,585 11/1974 Thomas D7/94
- D. 237,578 11/1975 Thomas D7/94
- D. 243,309 2/1977 Reunanen D7/335
- D. 255,863 7/1980 Futch D7/108
- D. 269,758 2/1983 Braswell D7/337
- D. 269,839 7/1983 Givens, III D7/334
- D. 279,537 7/1985 Taylor et al. D7/337
- D. 284,929 8/1986 Schlosser et al. D7/332
- D. 293,191 12/1987 Stephen et al. D7/332
- D. 295,135 4/1988 Ogden D7/334
- 3,209,743 10/1966 Stewart et al. 126/25
- 3,330,266 7/1967 Stephen 126/25
- 3,500,812 3/1970 Korngold 126/25
- 3,611,915 10/1971 Glaser 99/445
- 3,688,758 9/1972 Stephen, Jr. 126/41 R
- 3,714,937 2/1973 Linstead 126/25 R
- 3,734,076 5/1973 Kiziol 126/25 R
- 3,806,987 4/1974 Koziol 16/191
- 4,331,123 5/1982 Alles et al. 126/9 R



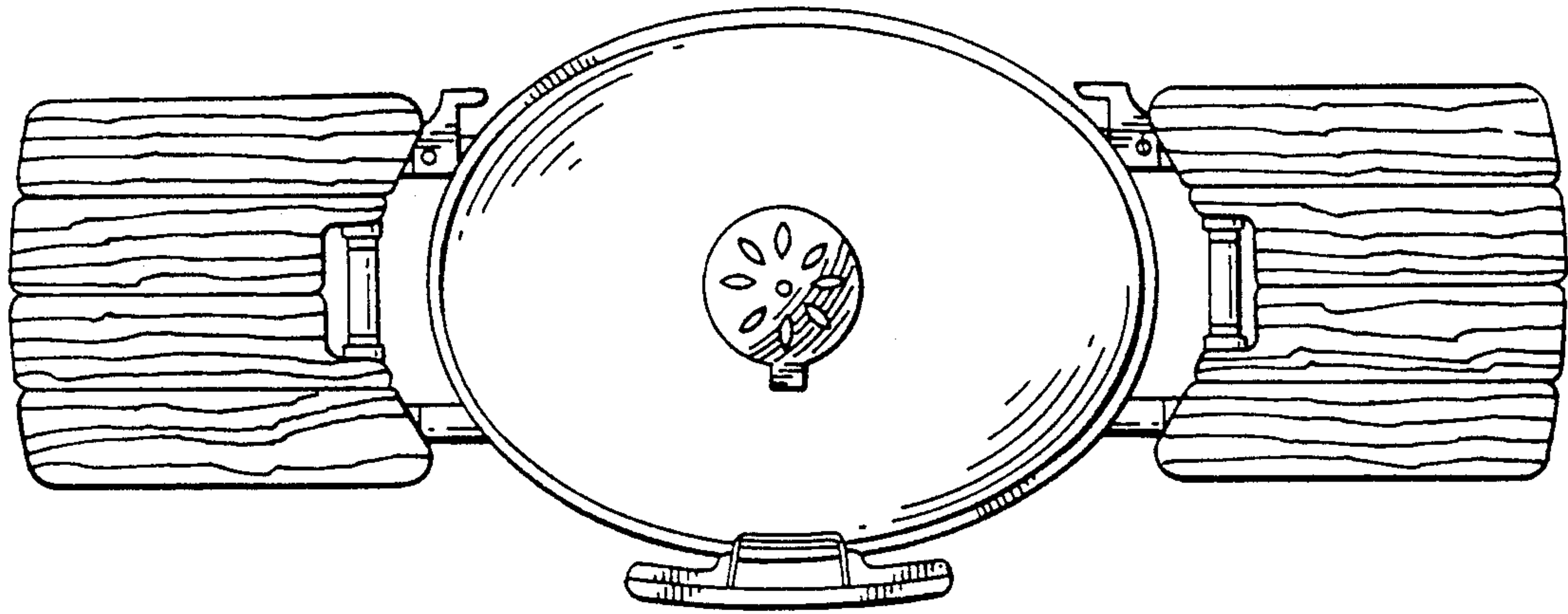


FIGURE 2

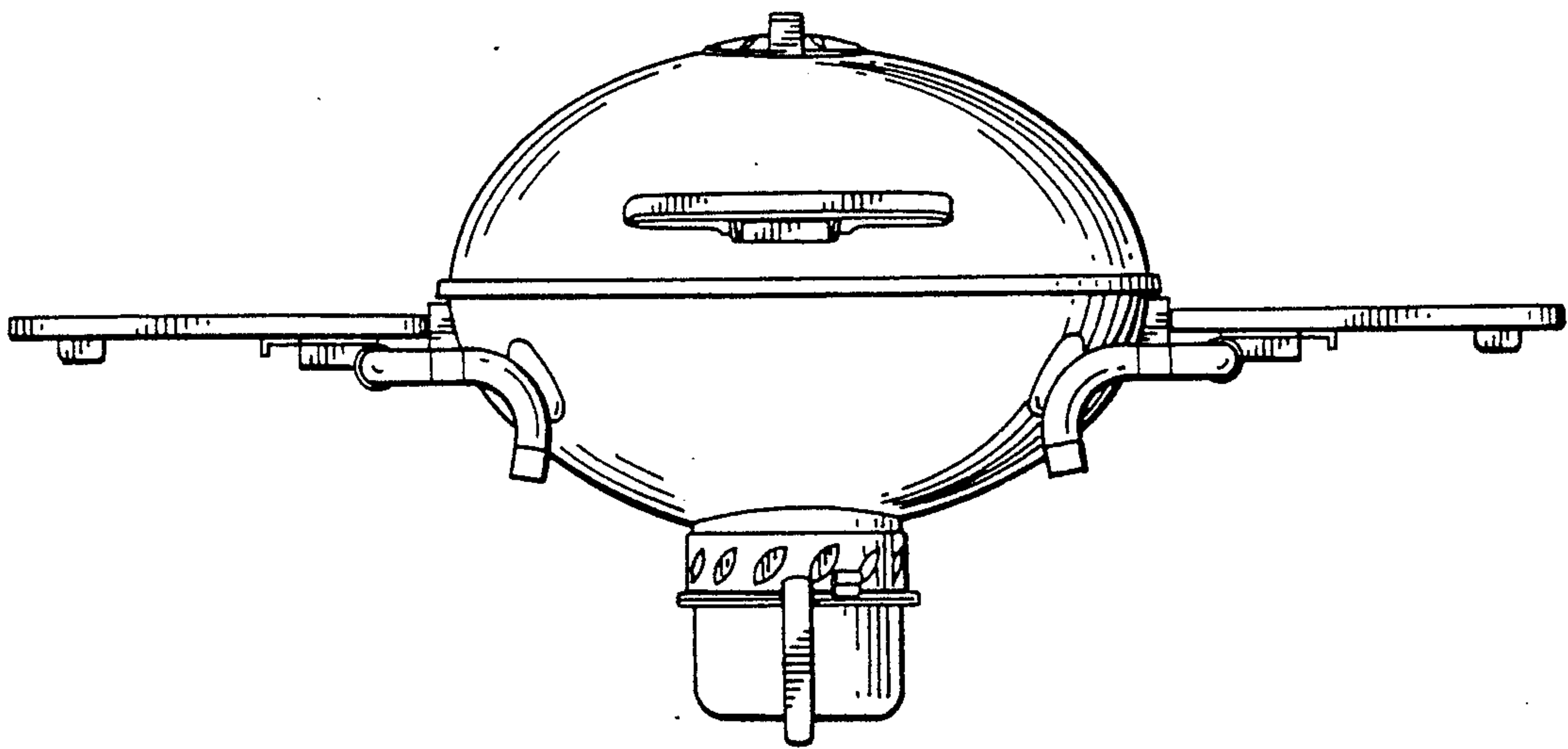


FIGURE 1

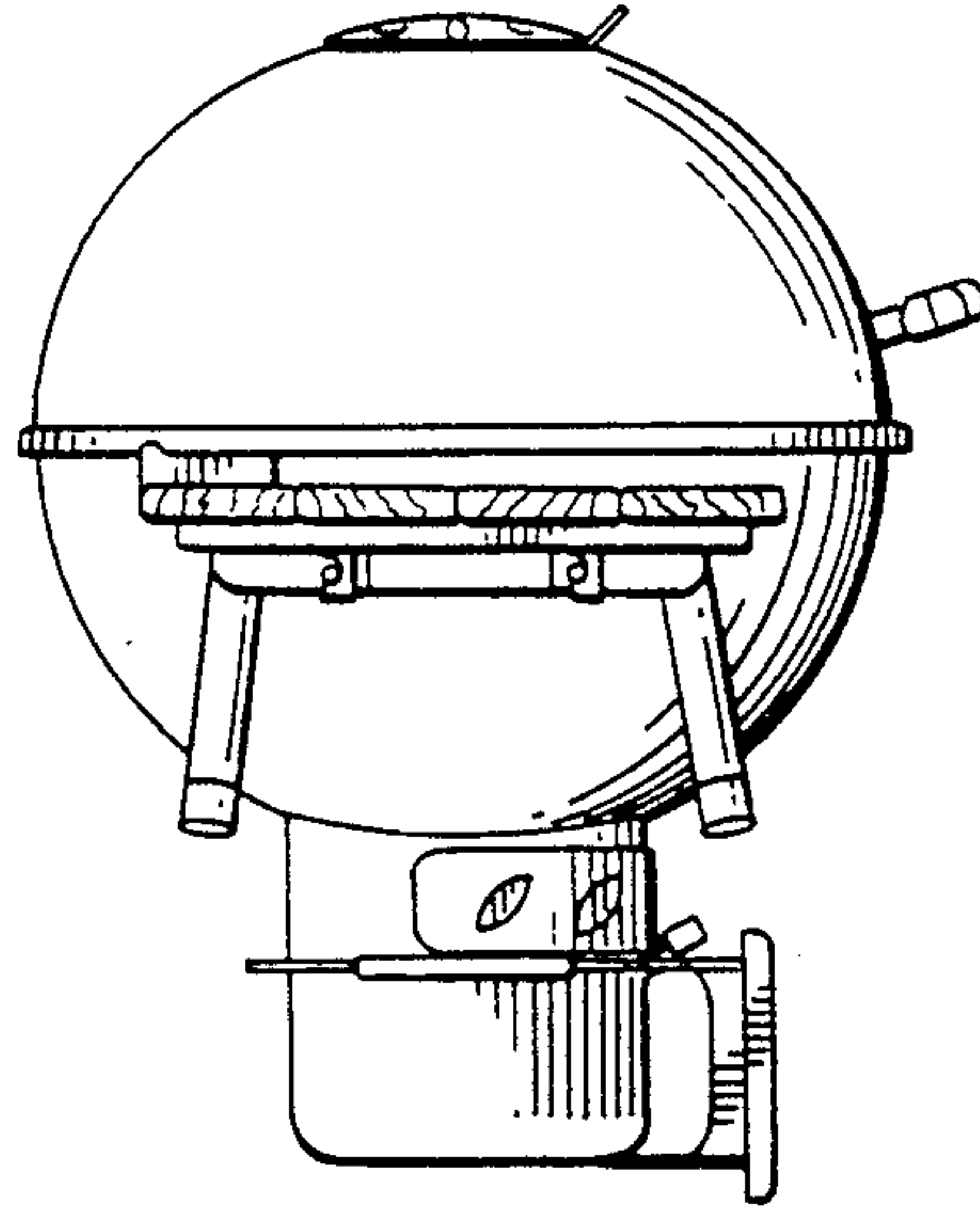
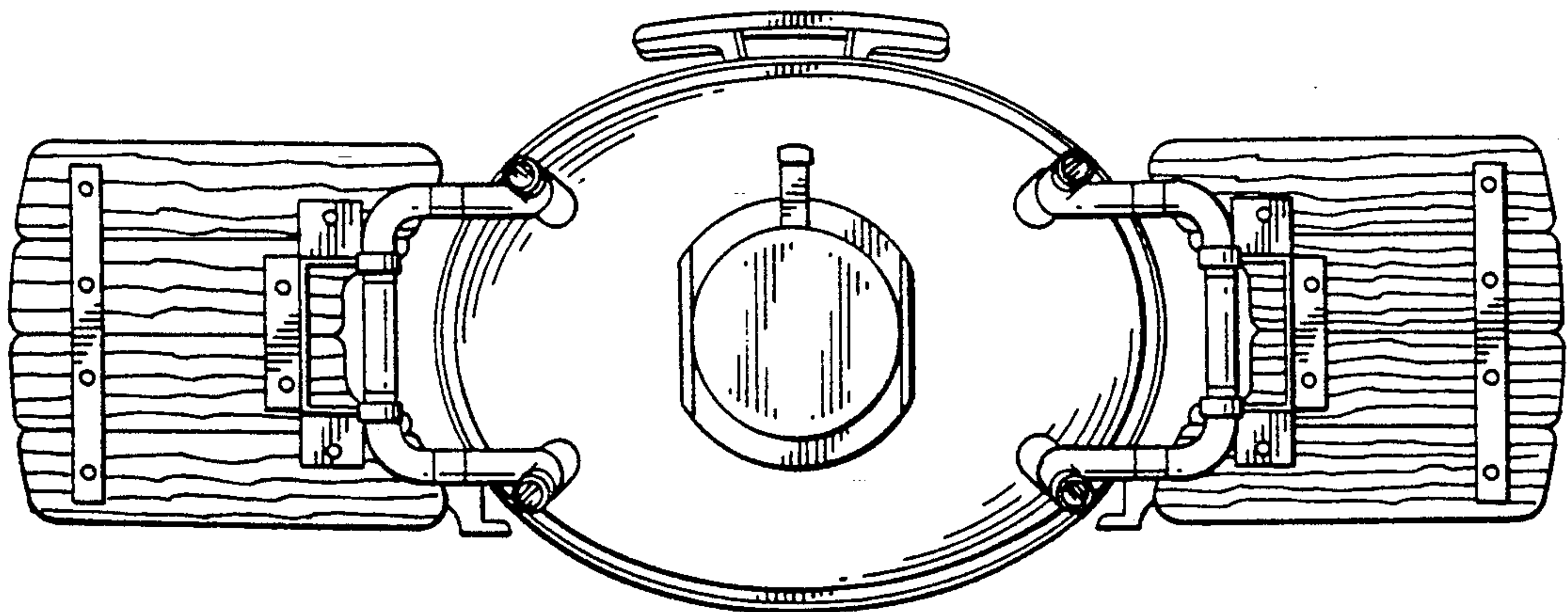


FIGURE 3

FIGURE 4



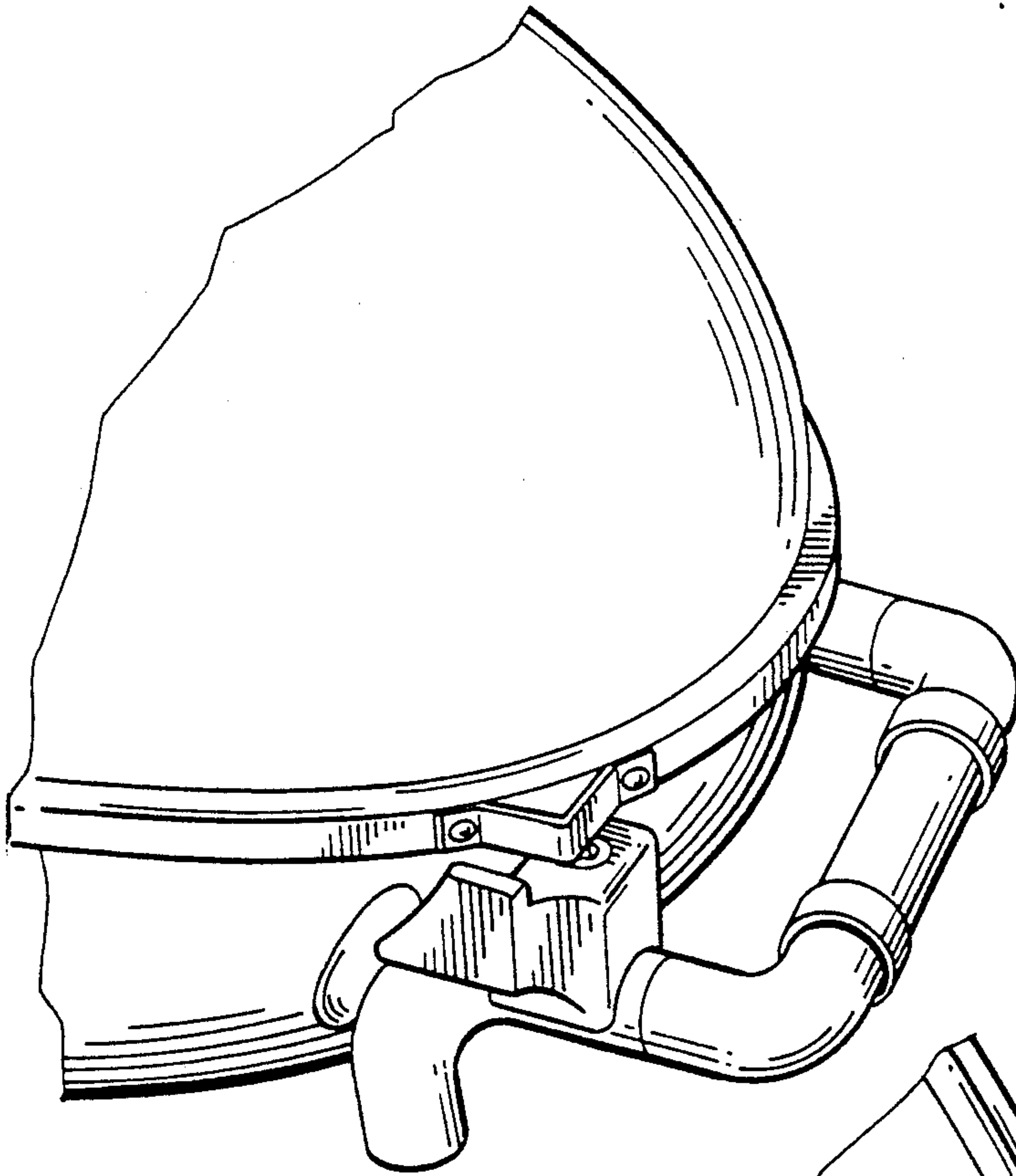


FIGURE 5

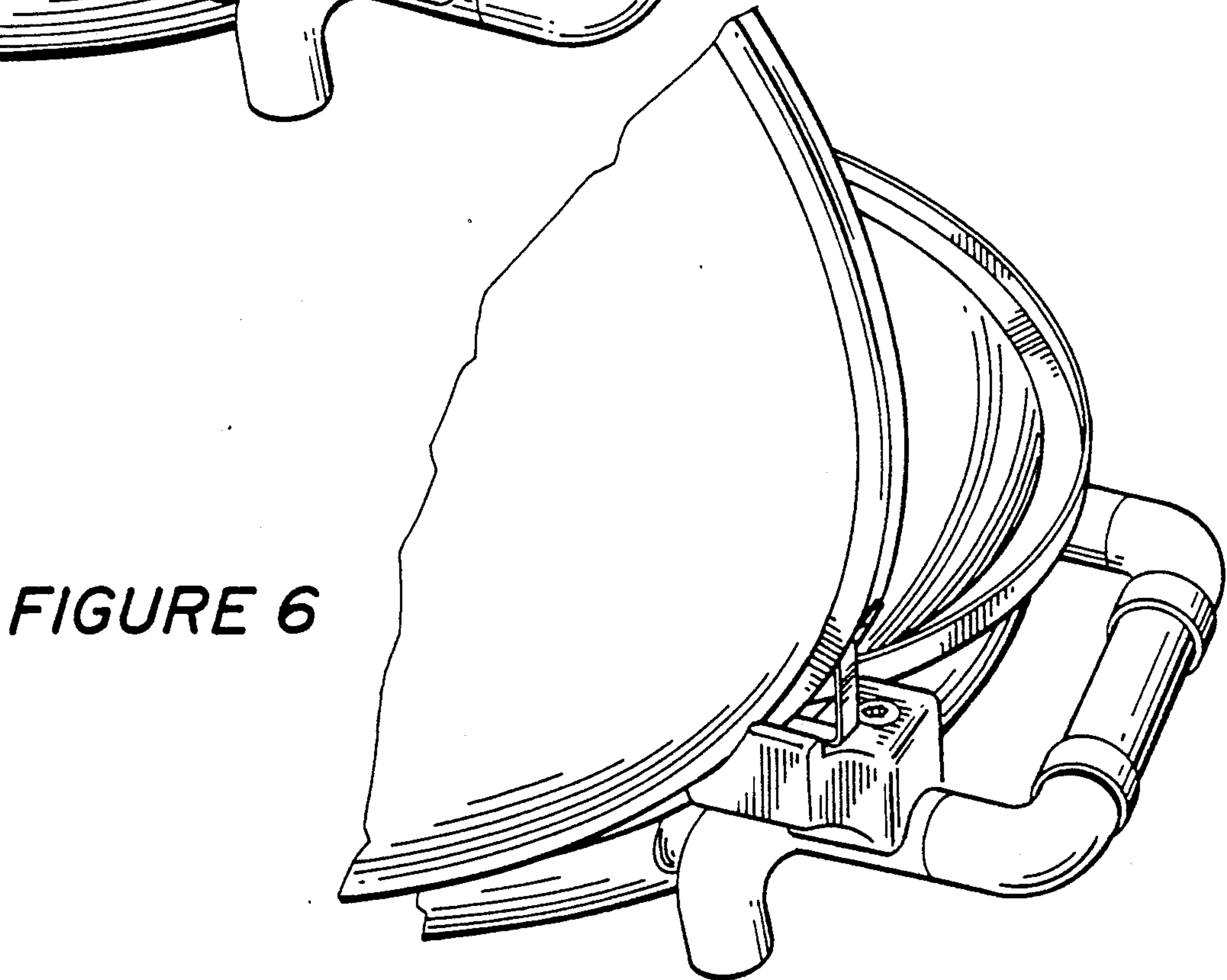


FIGURE 6

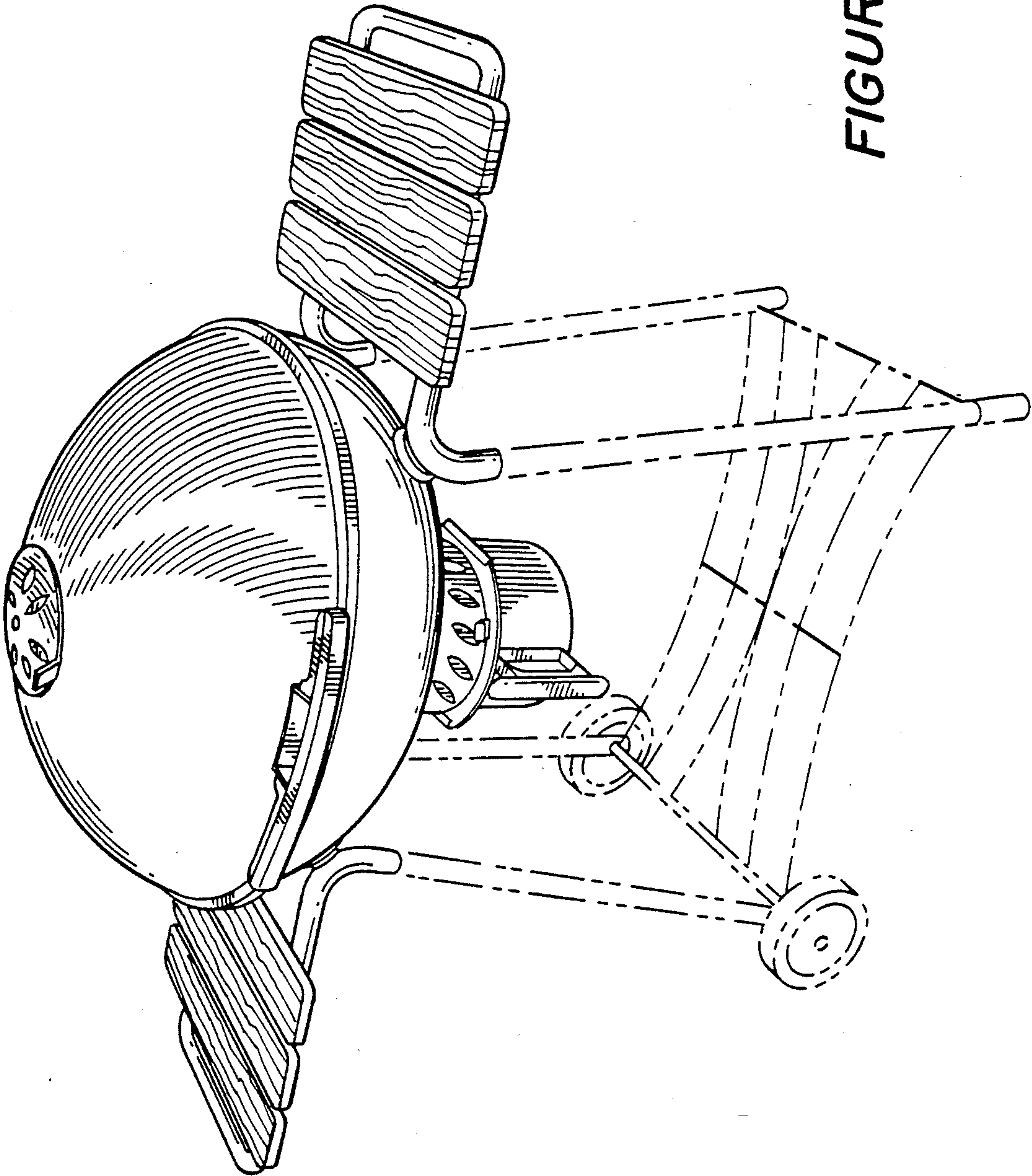


FIGURE 7

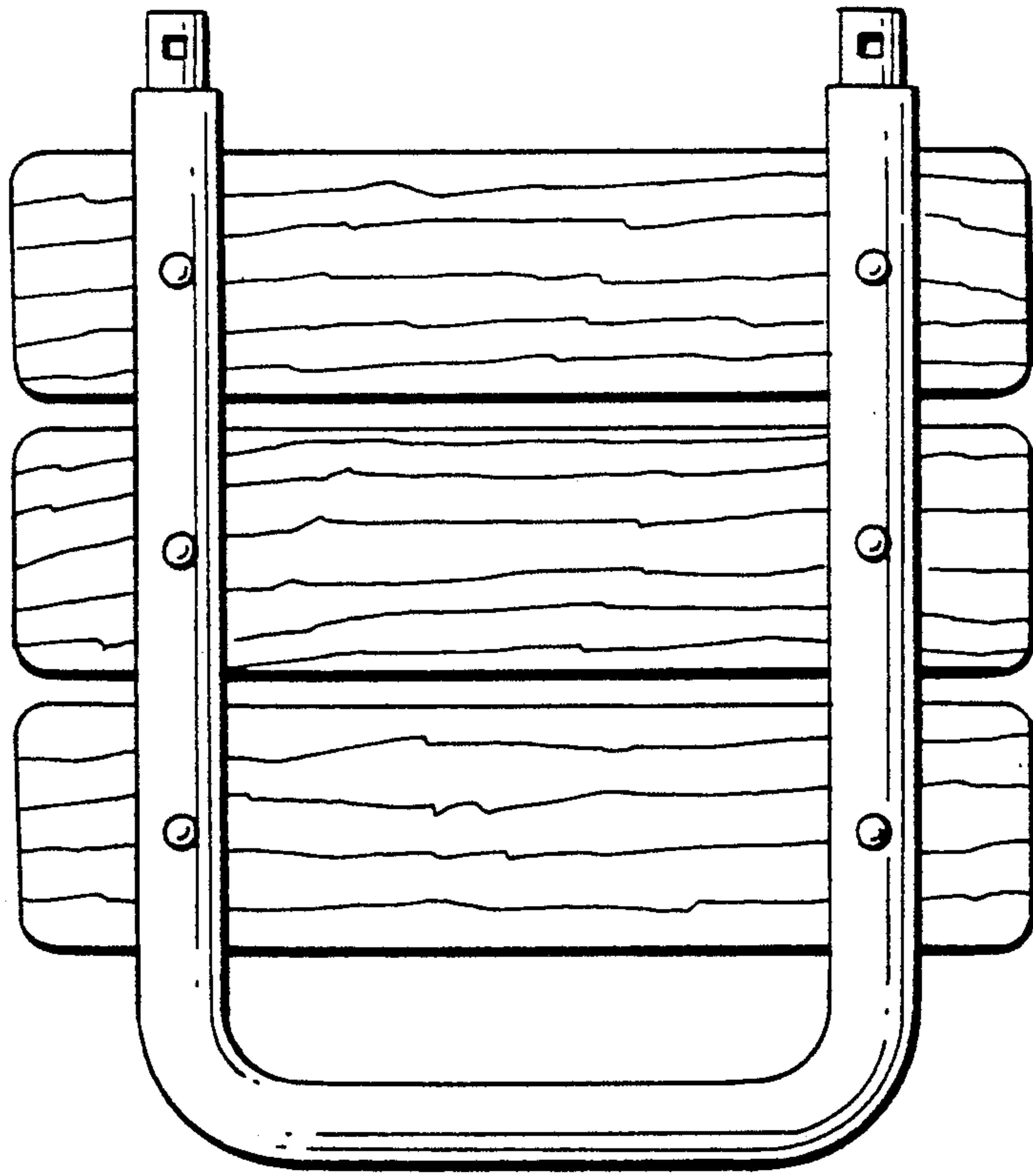


FIGURE 8