



US00D327803S

United States Patent [19] Gianelli

[11] Patent Number: Des. 327,803
[45] Date of Patent: ** Jul. 14, 1992

[54] COFFEE-MAKING MACHINE

[75] Inventor: Giuseppe Gianelli, Como, Italy

[73] Assignee: Micromax, S.p.A., Italy

[**] Term: 14 Years

[21] Appl. No.: 354,251

[22] Filed: May 19, 1989

[30] Foreign Application Priority Data

Nov. 29, 1988 [IT] Italy 22218/88[U]

[52] U.S. Cl. D7/308; D7/309

[58] Field of Search D7/300, 312, 305, 311,
D7/308, 309

[56] References Cited

U.S. PATENT DOCUMENTS

D. 288,886 3/1987 Oakley et al. D7/309

D. 300,597 4/1989 Pandolfi D7/311 X

OTHER PUBLICATIONS

HFD, Nov. 14, 1988, P. 68, top right panel, "Caffe Simac Program Espresso/Cappuccino Maker".

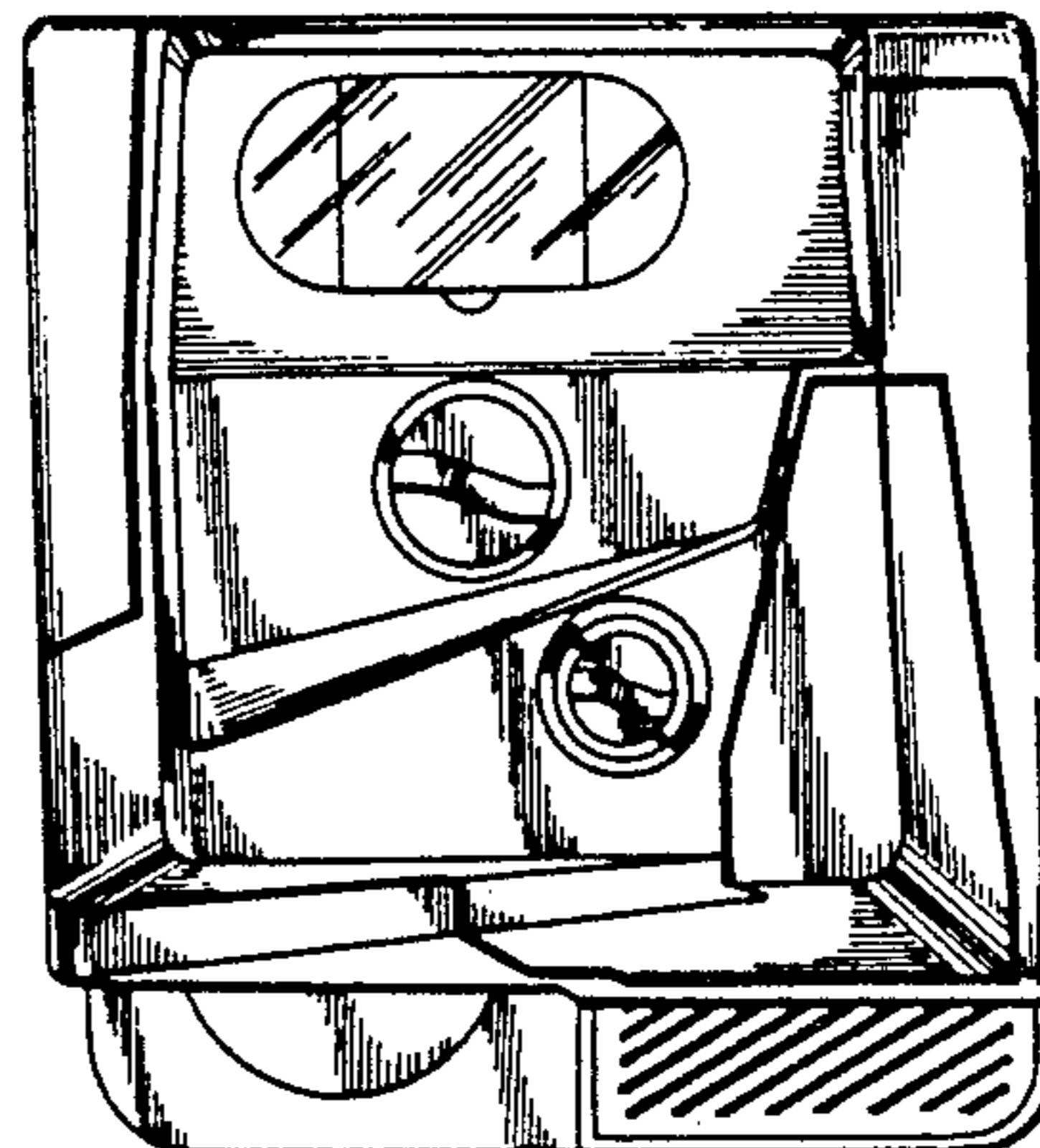
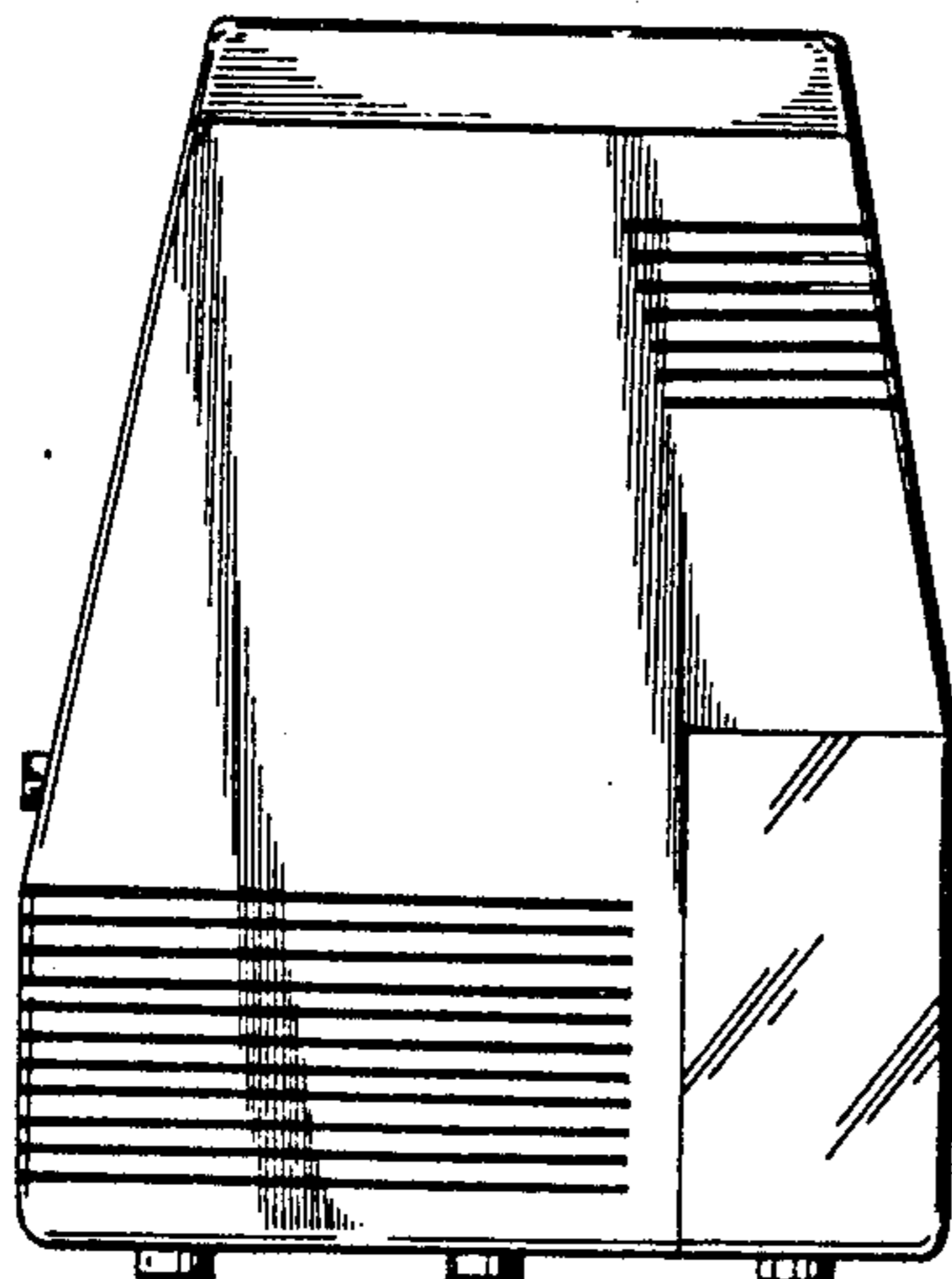
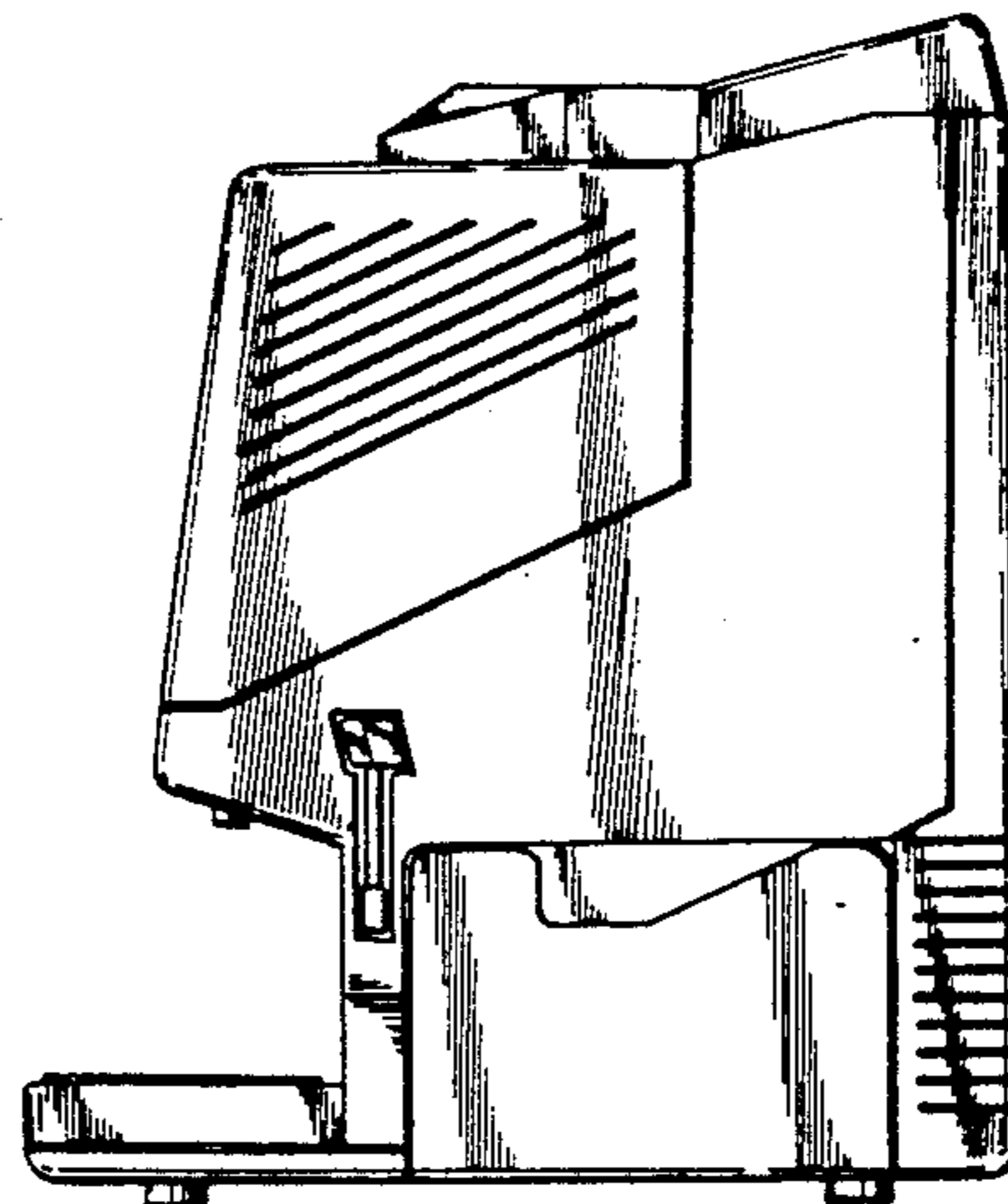
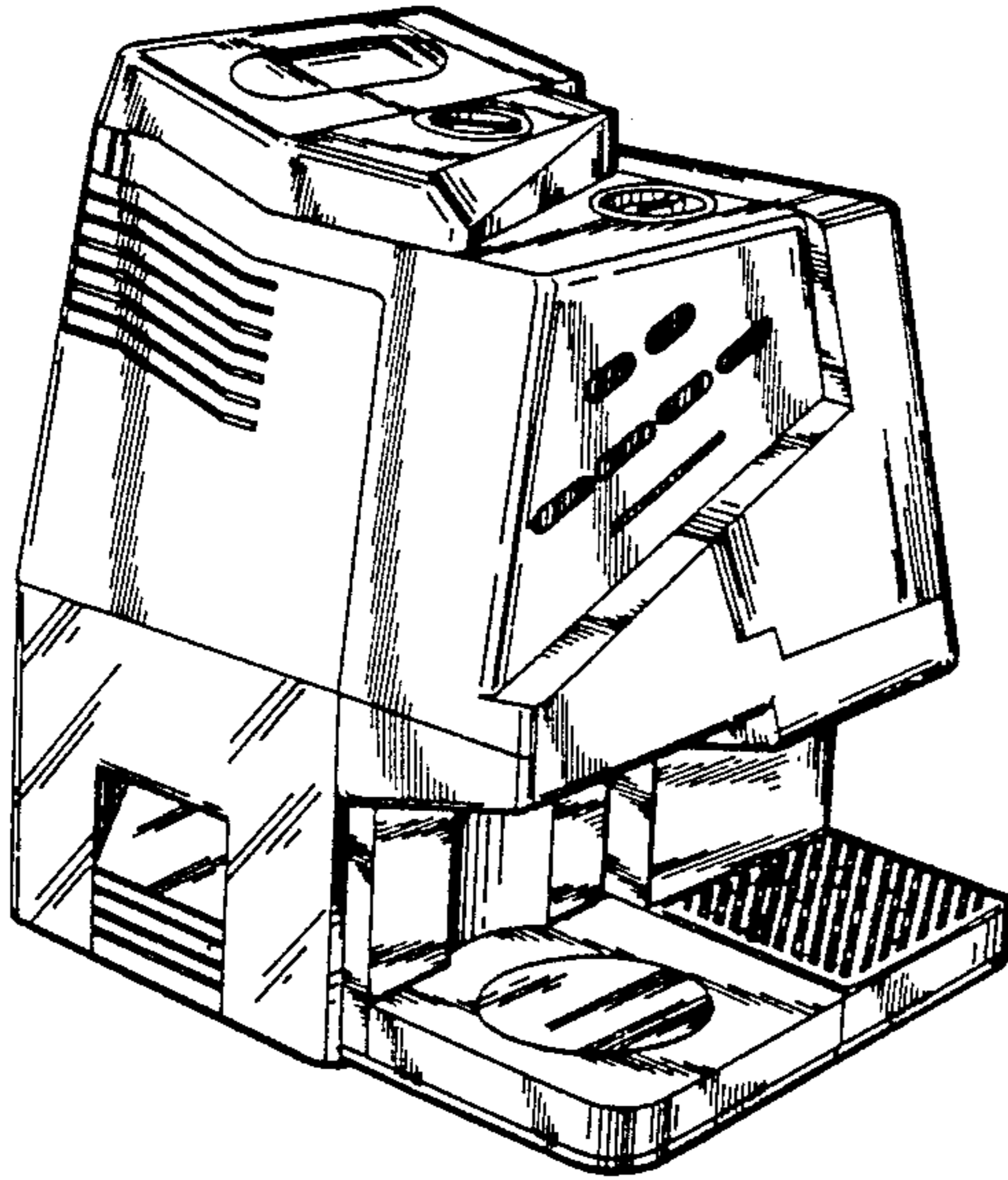
Primary Examiner—Winifred E. Herrmann
Attorney, Agent, or Firm—Venable, Baetjer and Howard

[57] CLAIM

The ornamental design for the coffee-making machine, as shown.

DESCRIPTION

FIG. 1 is a top, front, and left side perspective view of a coffee-making machine showing my new design; FIG. 2 is a front elevational view thereof; FIG. 3 is a rear elevational view thereof; FIG. 4 is a right side elevational view thereof; FIG. 5 is a left side elevational view thereof; FIG. 6 is a top plan view thereof; and, FIG. 7 is a bottom plan view thereof.



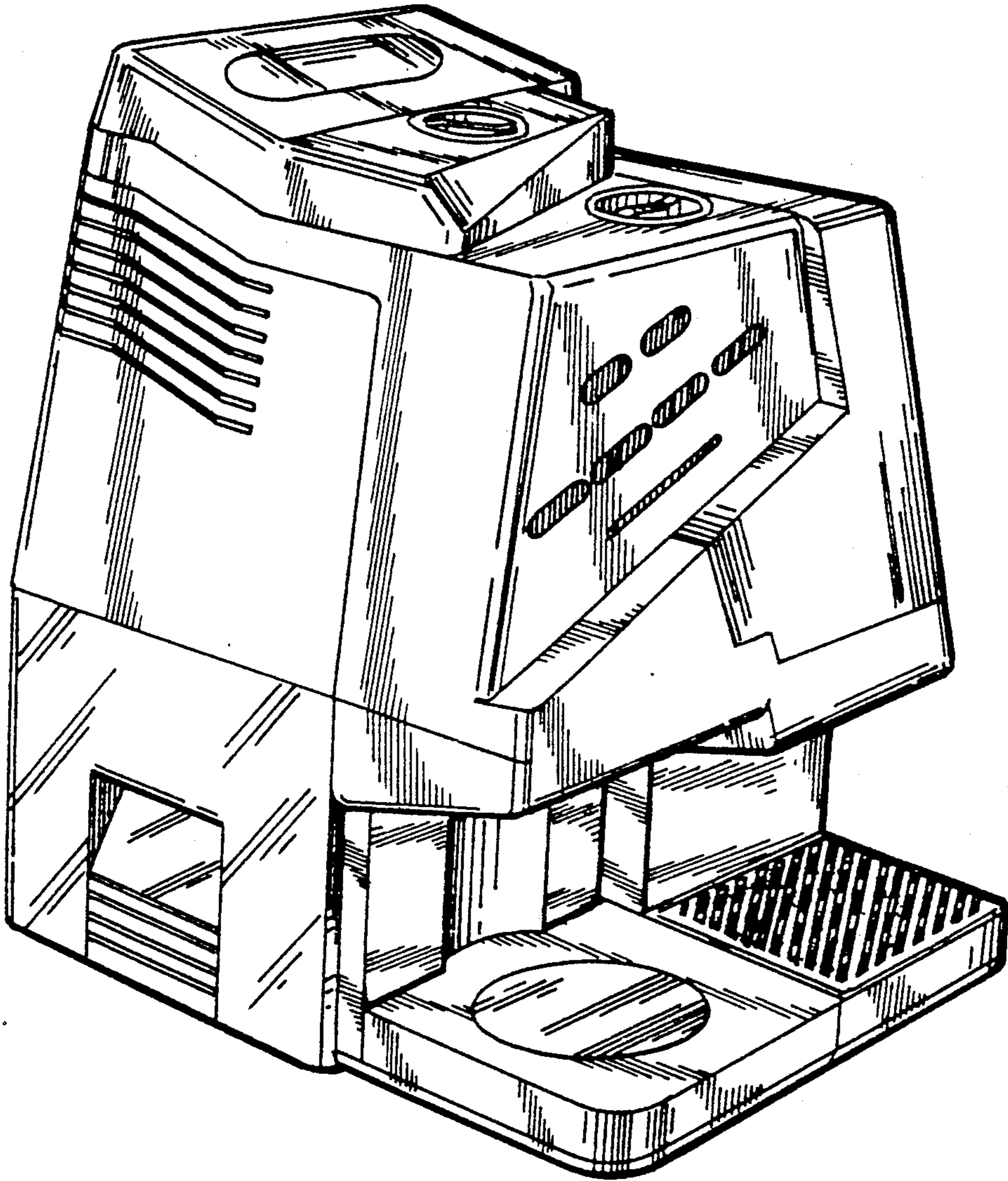


FIG.1

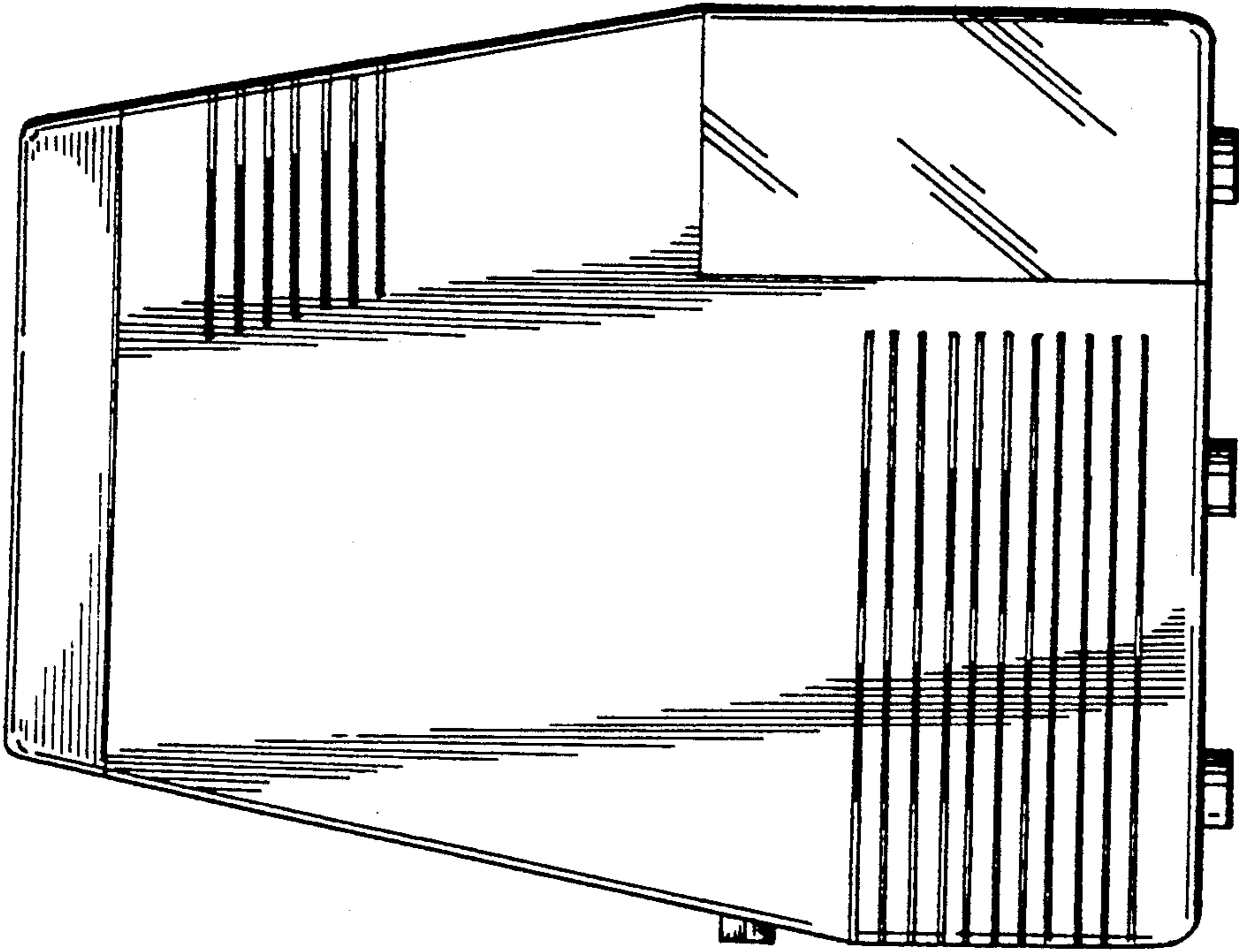


FIG. 3

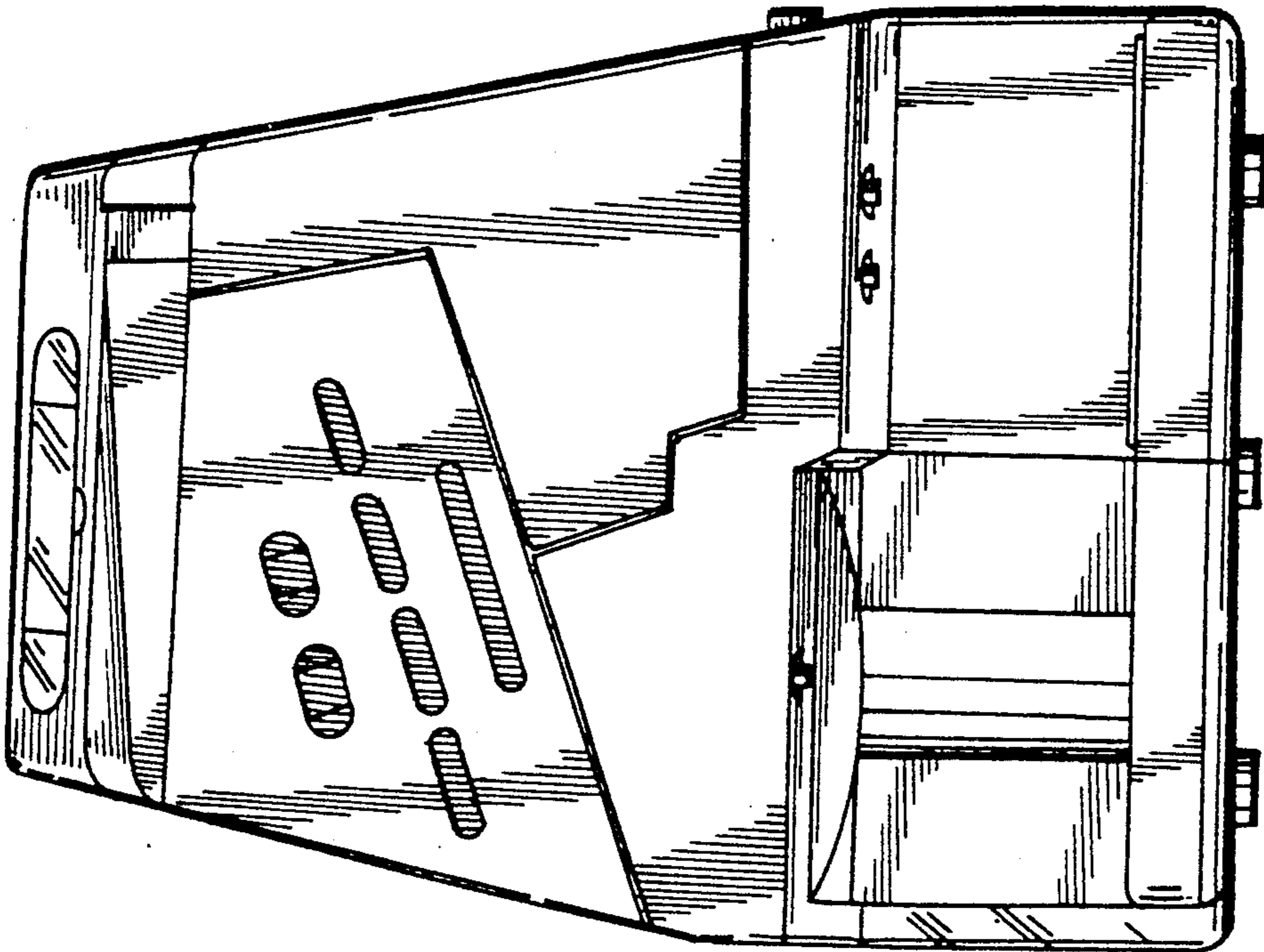


FIG. 2

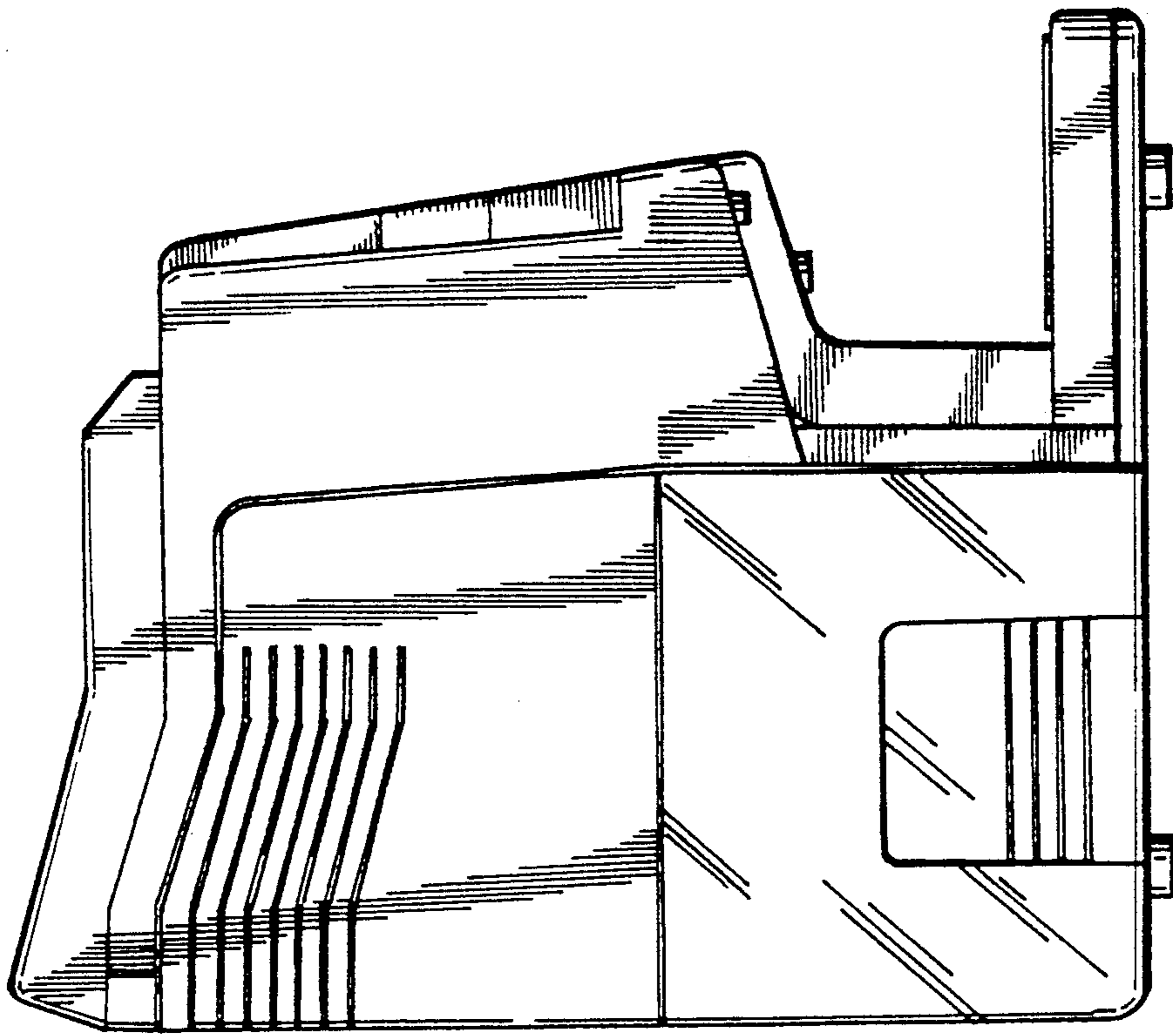


FIG.5

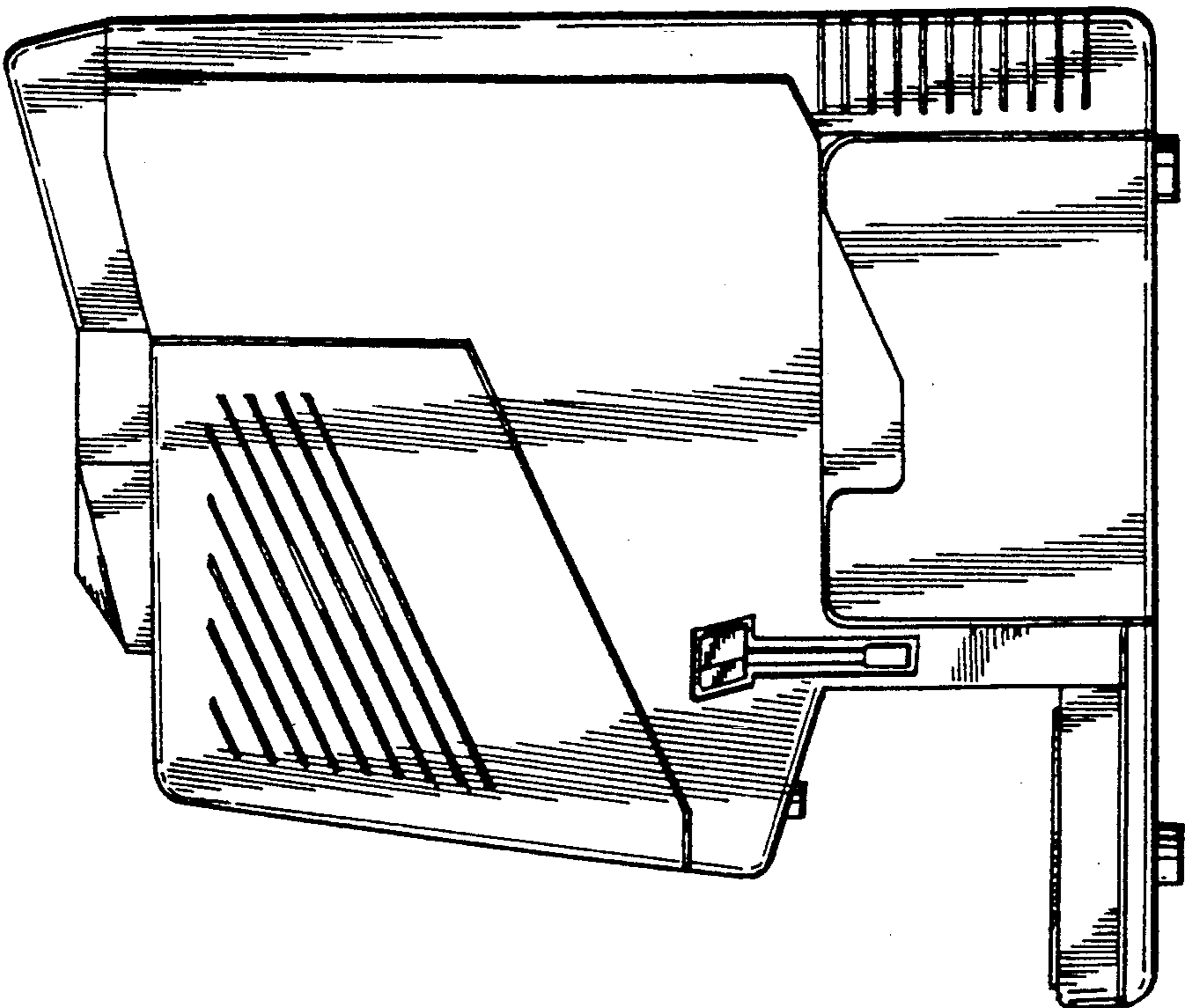


FIG.4

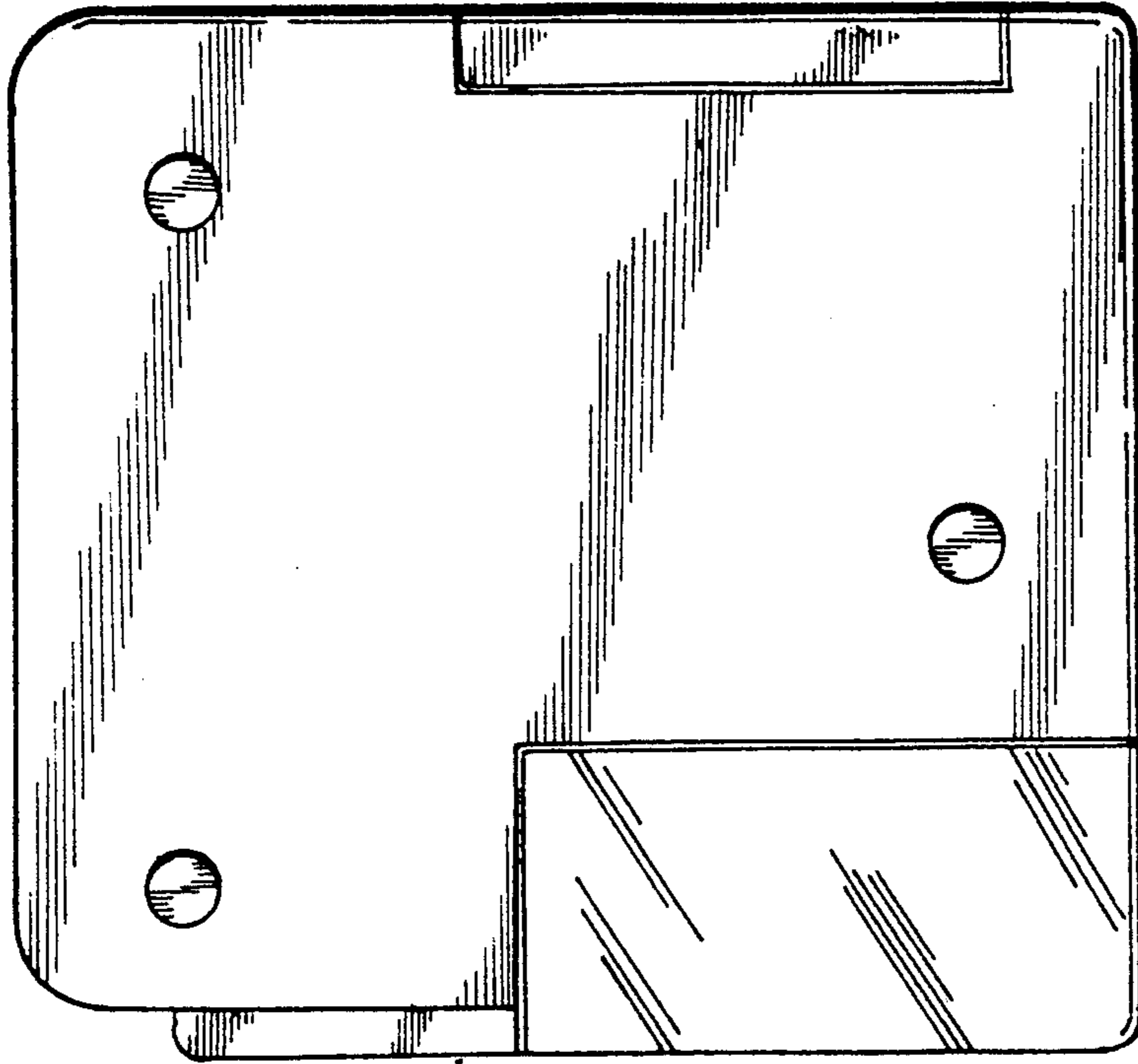


FIG. 7

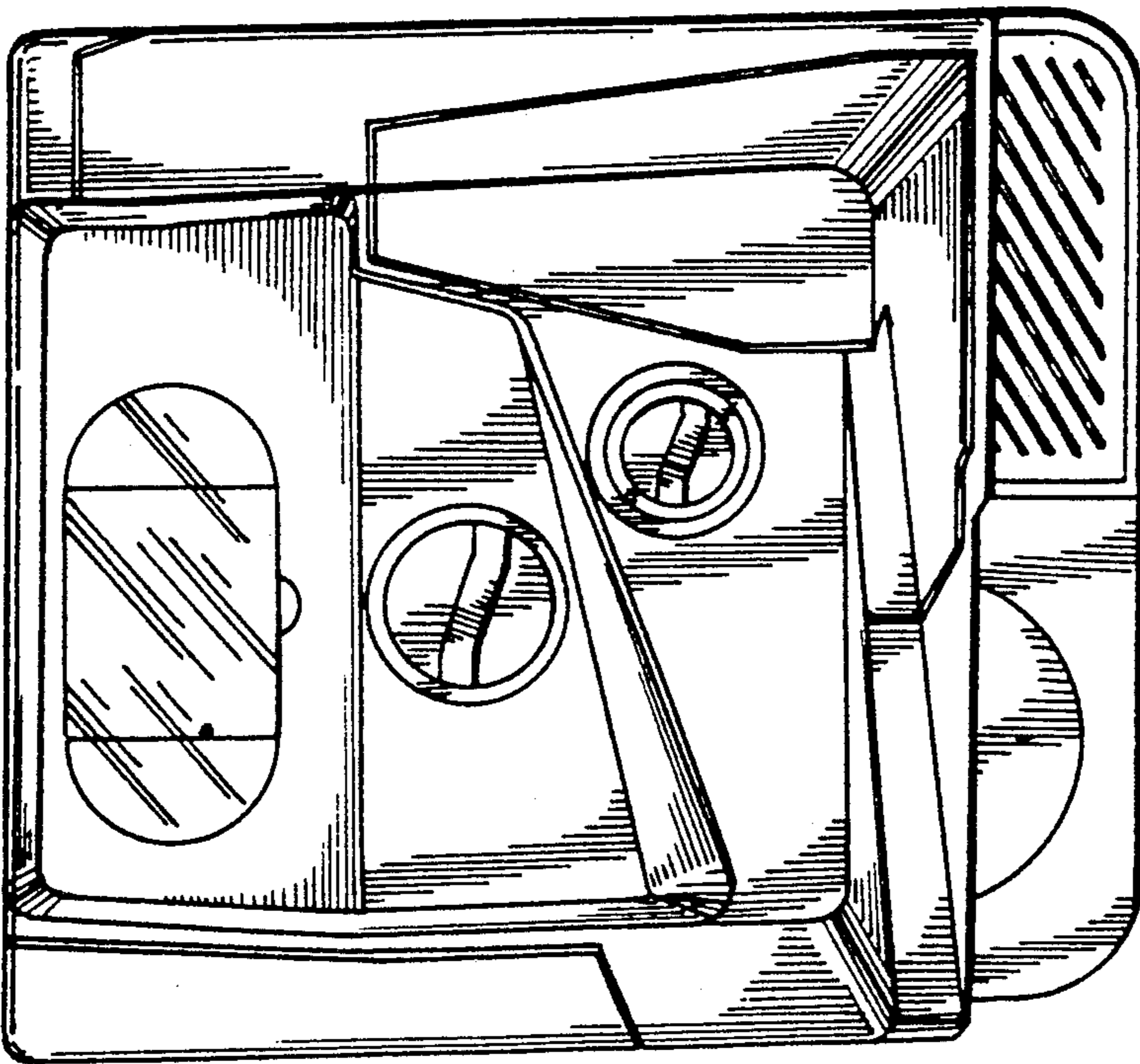


FIG. 6