



US00D327790S

United States Patent [19]

[11] Patent Number: **Des. 327,790**

Sharar

[45] Date of Patent: **** Jul. 14, 1992**

[54] WORK STATION DESK

[76] Inventor: **Stephen T. Sharar, 2401 Larkspur Dr., Johnson City, Tenn. 37604**

[**] Term: **14 Years**

[21] Appl. No.: **463,662**

[22] Filed: **Jan. 11, 1990**

[52] U.S. Cl. **D6/422; D6/397; D6/400; D6/420; D6/429; D6/431; D6/479; 108/60**

[58] Field of Search **D6/396, 397, 410, 411-415, D6/421, 422, 432, 445, 446, 448, 467, 400, 419, 420, 423, 451, 475, 479, 491; D19/90, 91, 92; 248/146, 163.1, 165**

[56] References Cited

U.S. PATENT DOCUMENTS

D. 121,622 7/1940 Bojesen D6/420
D. 237,930 12/1975 Demmer D6/400

D. 253,270 10/1979 Middleton, Jr. D6/397 X
D. 254,112 2/1980 Handler et al. D6/479 X
4,029,024 6/1977 Klitzky 108/60

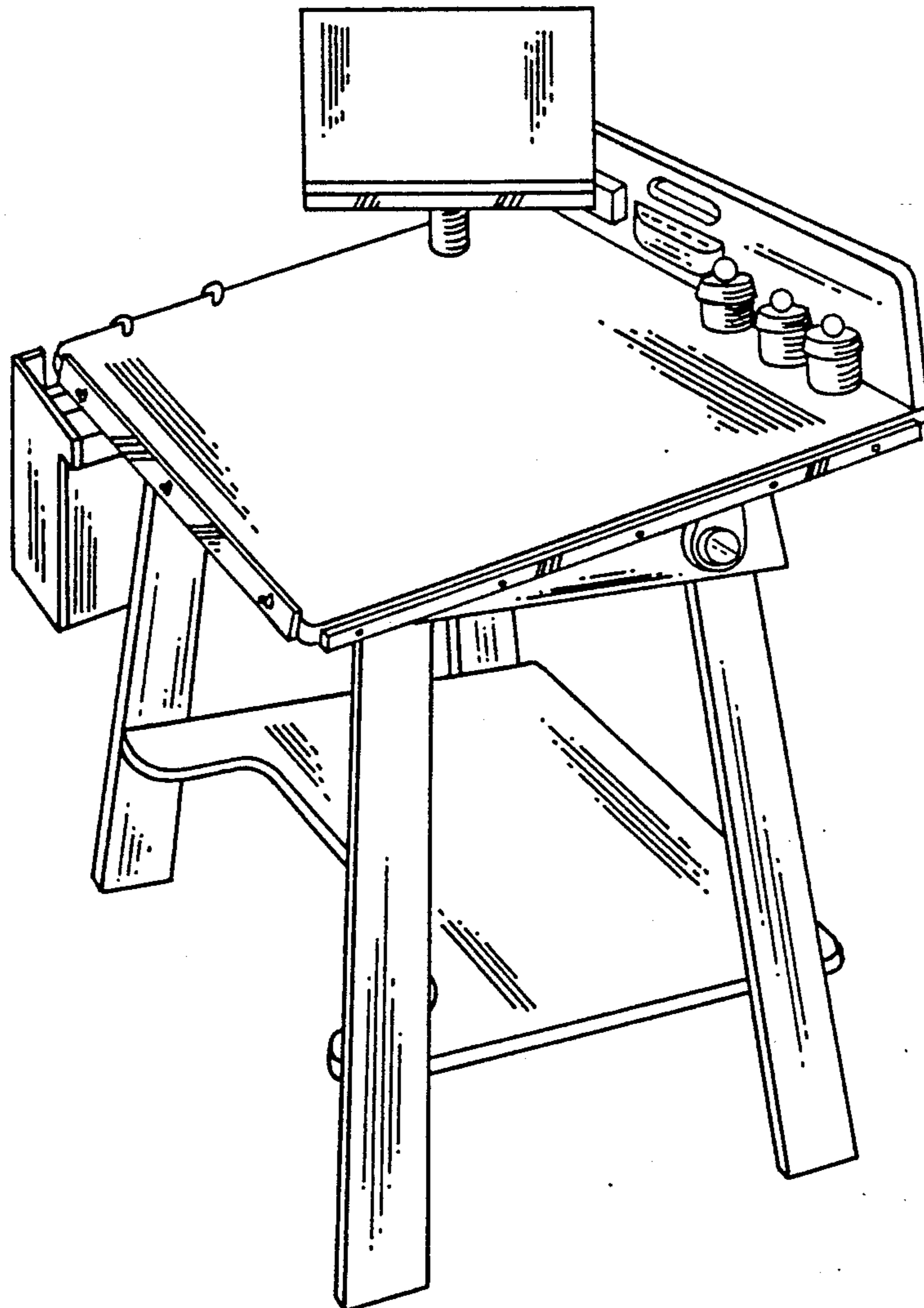
Primary Examiner—Donald P. Walsh
Assistant Examiner—Monica A. Hannon
Attorney, Agent, or Firm—David M. Carter

[57] CLAIM

The ornamental design for a work station desk, as shown and described.

DESCRIPTION

FIG. 1 is a front perspective view of a work station desk showing my new design;
FIG. 2 is a front perspective view with the desk top in a lowered flat position thereof;
FIG. 3 is a right side elevational view of FIG. 2 thereof;
FIG. 4 is a left side elevational view of FIG. 2 thereof;
FIG. 5 is a top plan view of FIG. 2 thereof;
FIG. 6 is a bottom plan view of FIG. 2 thereof; and,
FIG. 7 is a rear elevational view thereof.



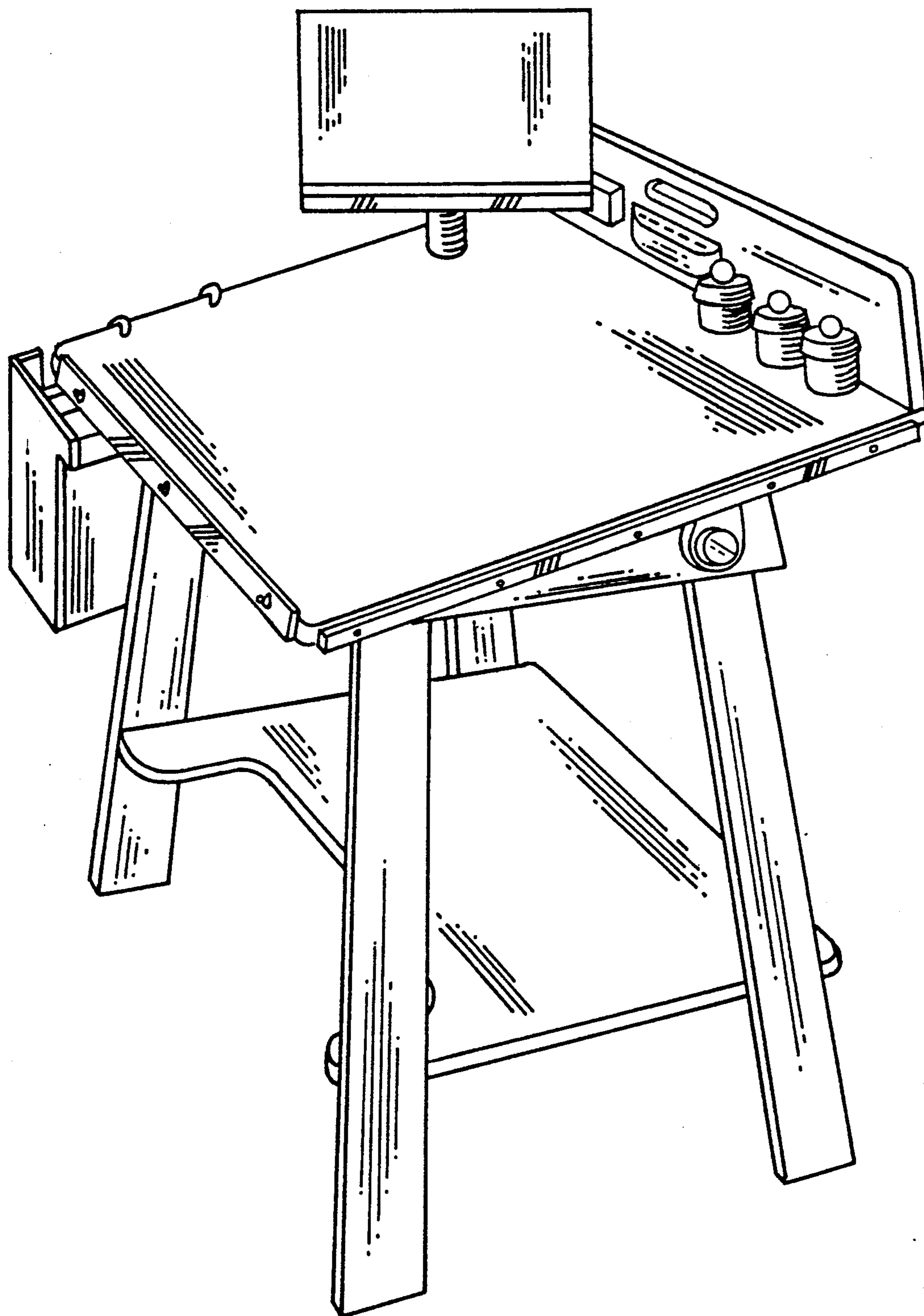


FIG. 1

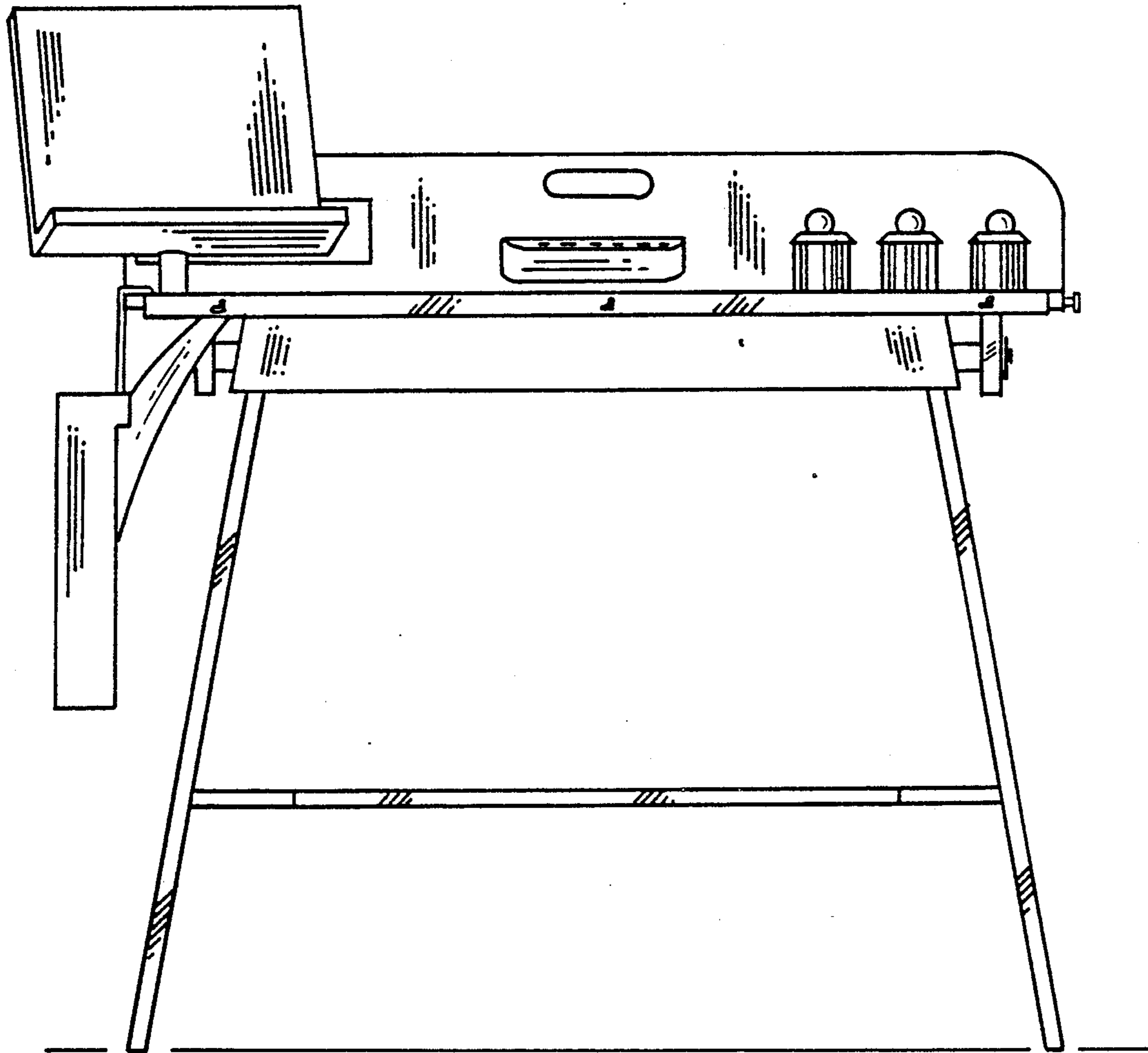


FIG. 2

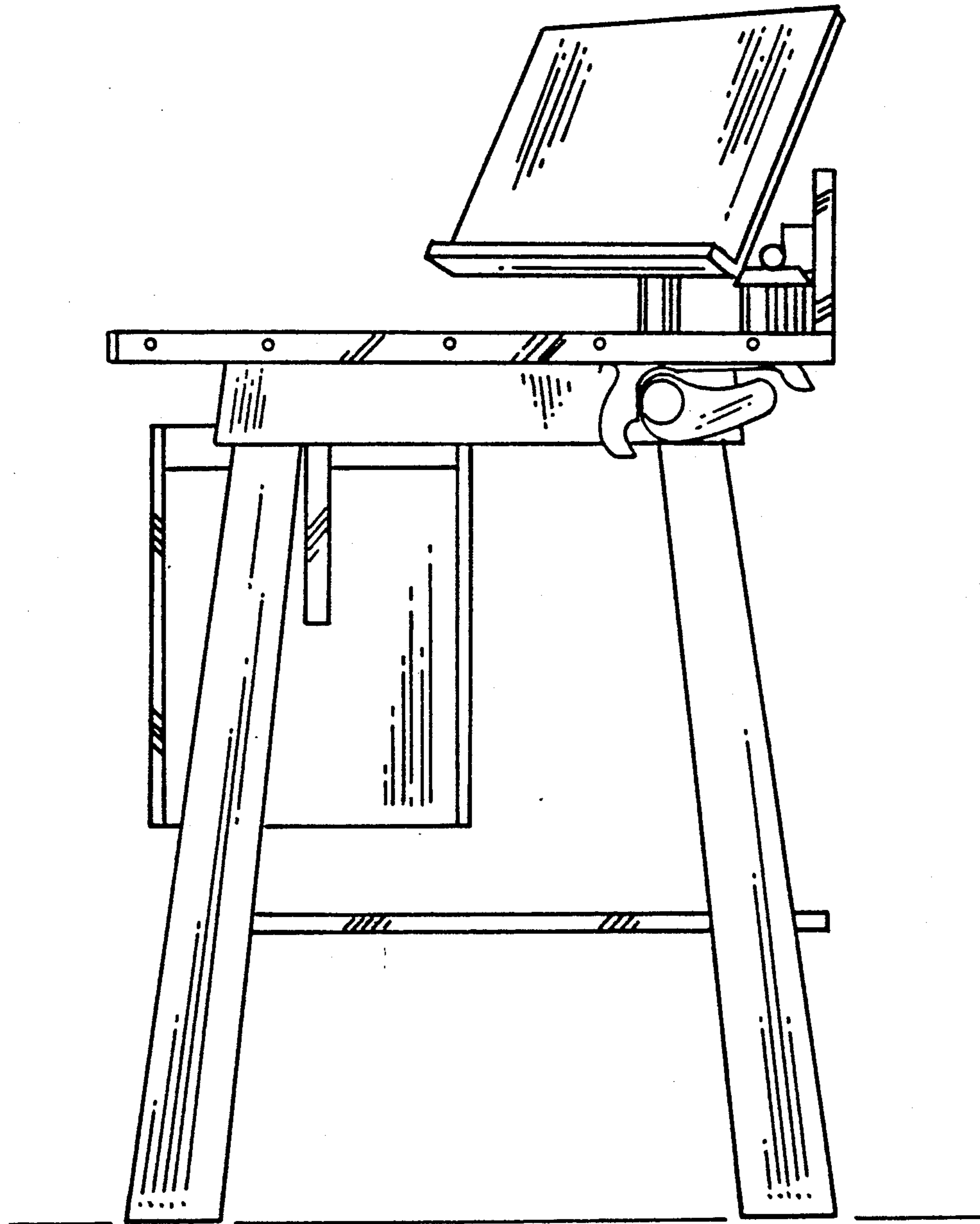


FIG. 3

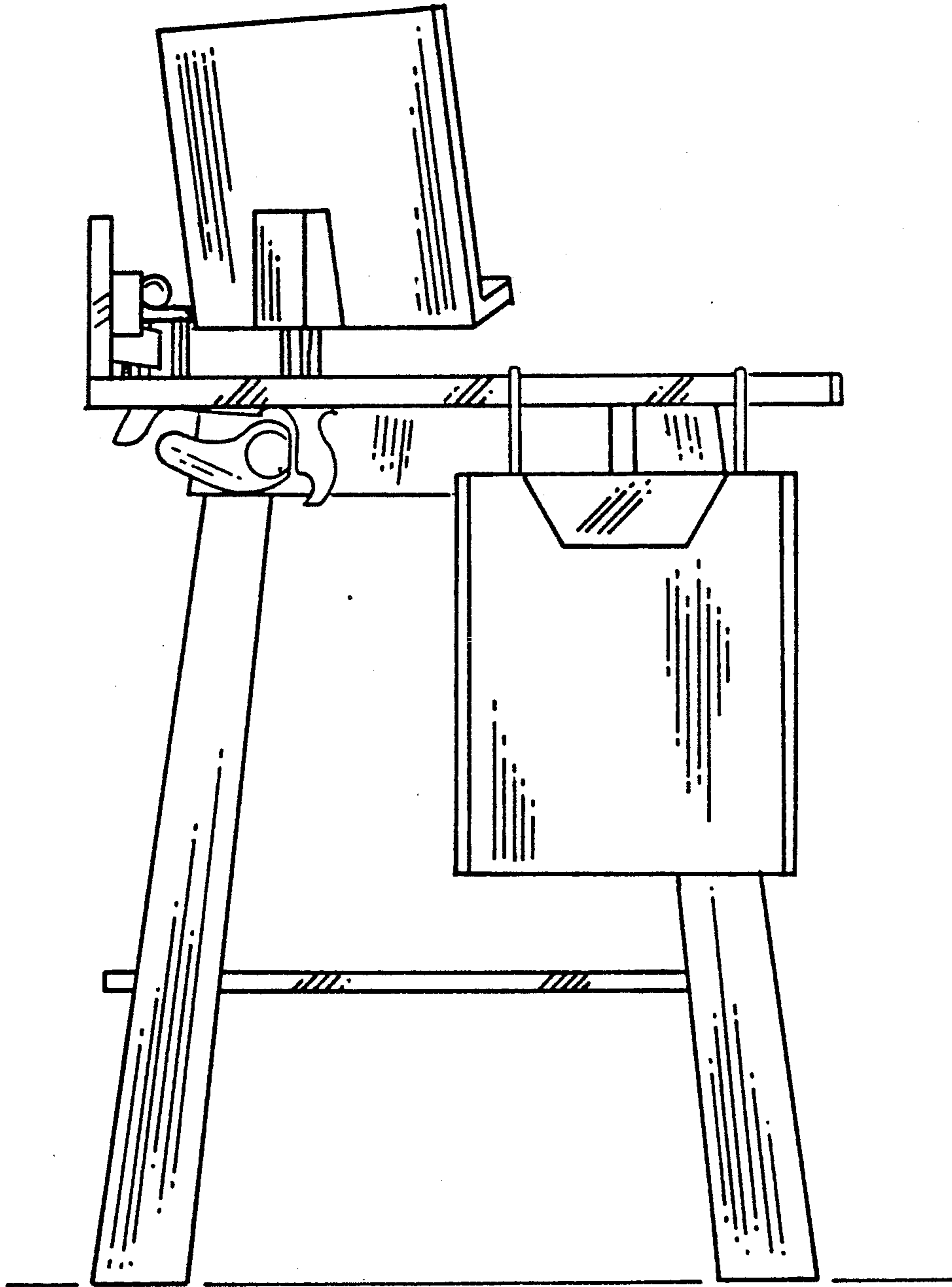


FIG. 4

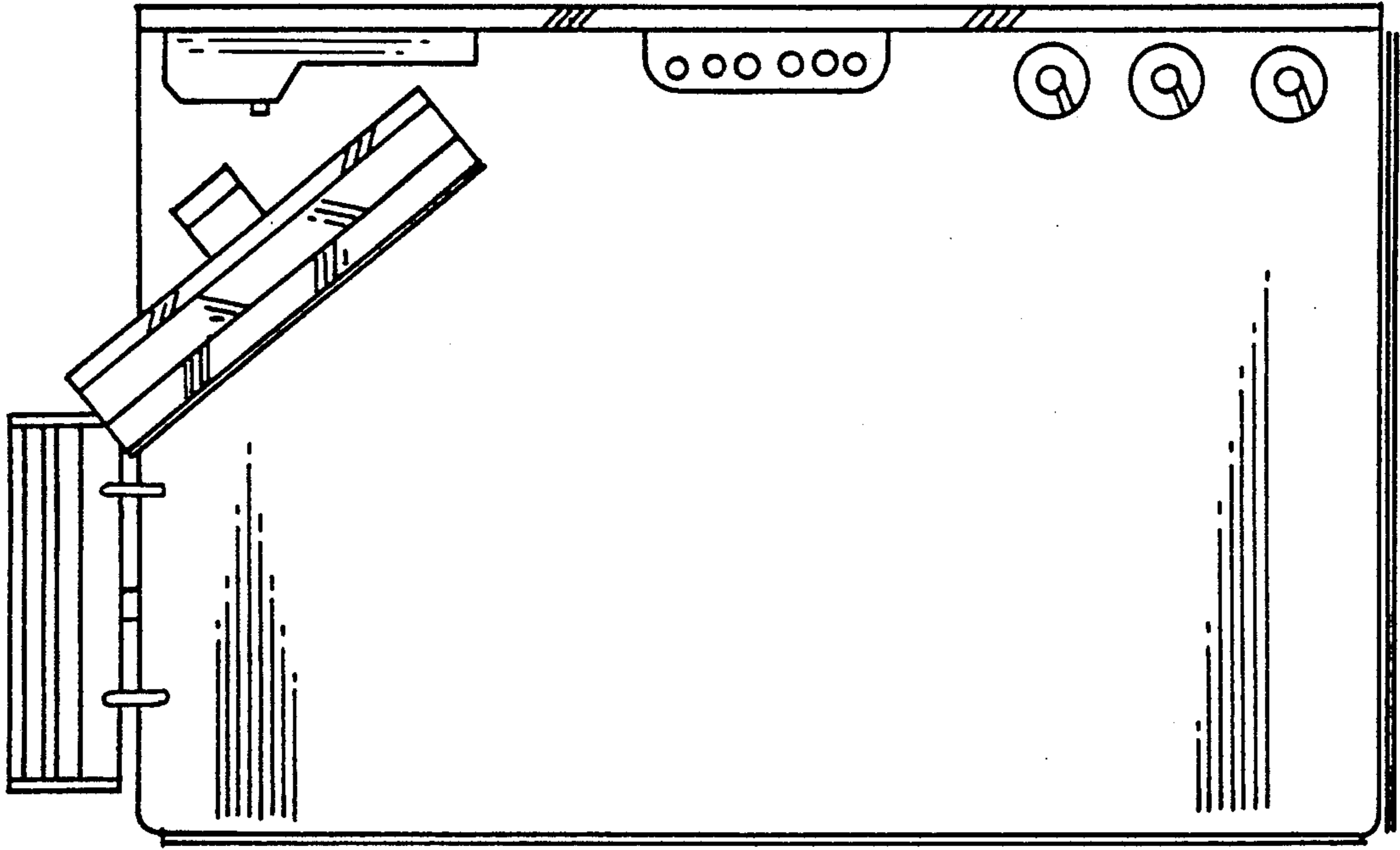


FIG. 5

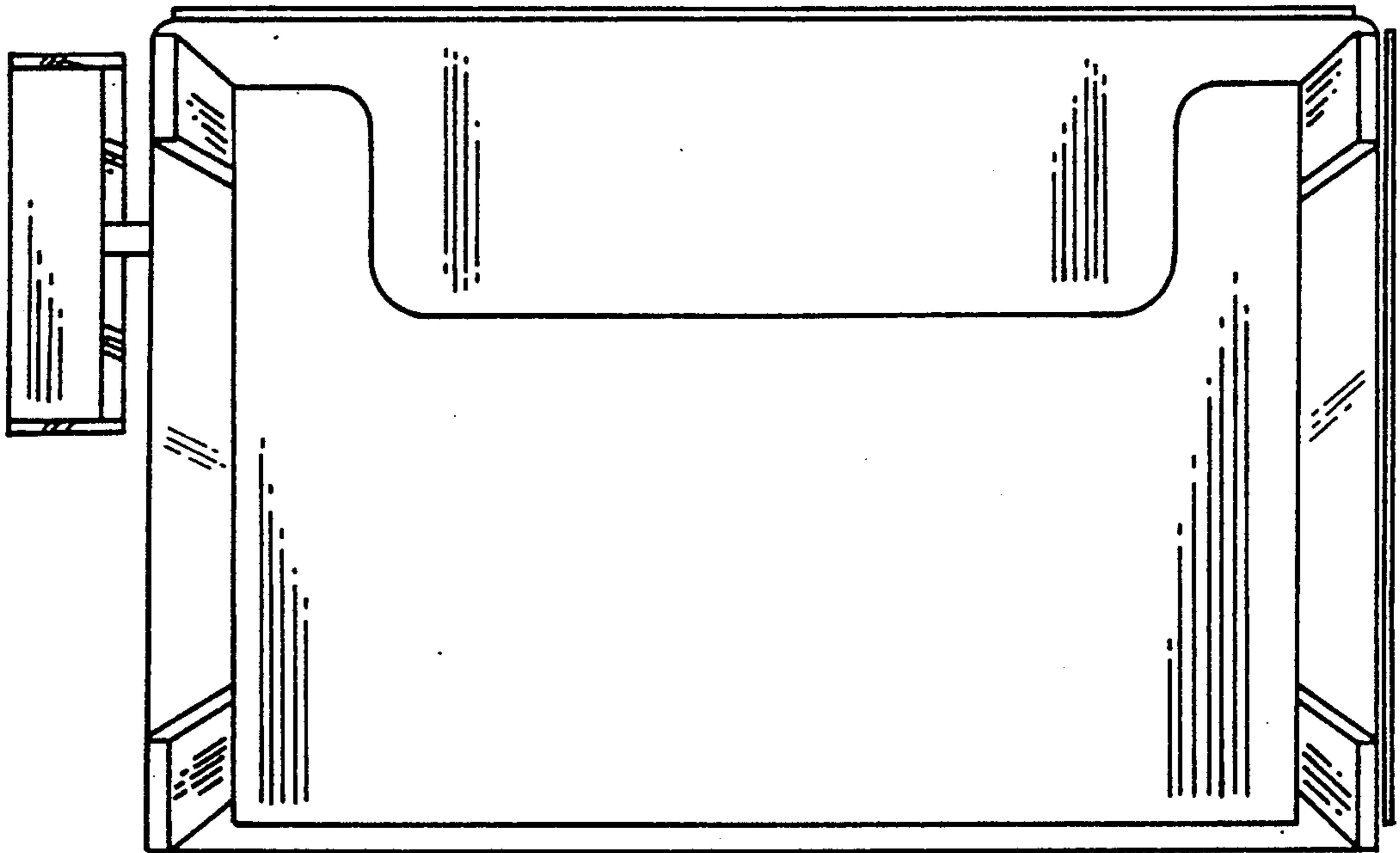


FIG. 6

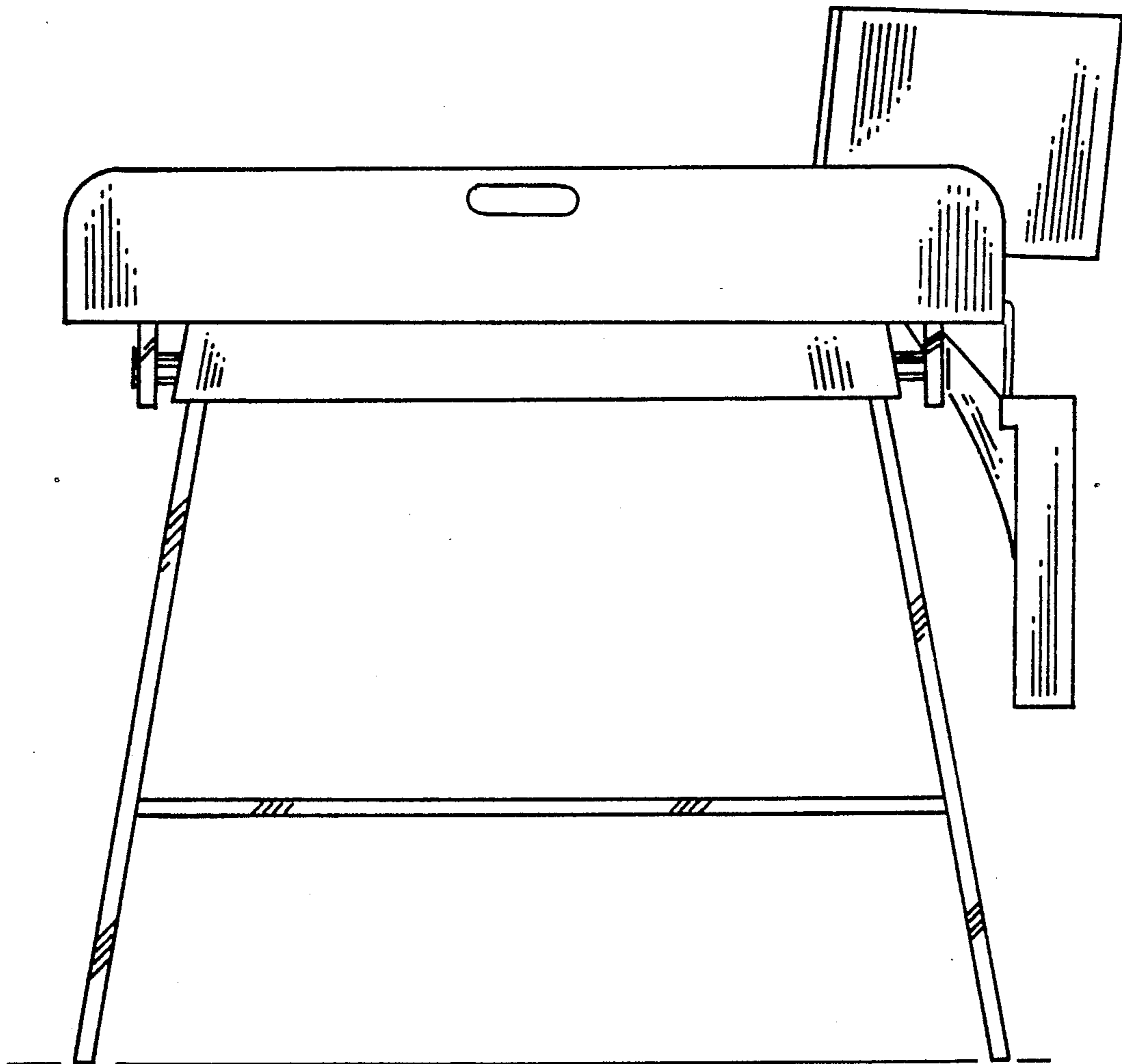


FIG. 7