



US00D327789S

United States Patent [19]

Caturla et al.

[11] Patent Number: Des. 327,789

[45] Date of Patent: ** Jul. 14, 1992

[54] DESK

[76] Inventors: **Marilyne Caturla; Joel Caturla**, both of 60 W. 66th St., New York, N.Y. 10023

[**] Term: **14 Years**

[21] Appl. No.: **316,117**

[22] Filed: **Feb. 22, 1989**

[52] U.S. Cl. **D6/422; D6/423; D6/427; 312/195**

[58] Field of Search **D6/422, 418, 423, 424, D6/425, 426, 427, 428; 312/183, 194, 195, 196**

[56] **References Cited**

U.S. PATENT DOCUMENTS

D. 141,353	5/1945	Brandenburger	D6/422
D. 142,121	8/1945	Ristenpart	D6/423
D. 277,152	1/1985	Hannah	D6/423
D. 296,165	6/1988	Ferguson et al.	D6/422
3,401,995	9/1968	Ogden	312/195
3,871,726	3/1975	Stegner	D6/422 X

FOREIGN PATENT DOCUMENTS

841495 5/1970 Canada 312/195

OTHER PUBLICATIONS

Interiors, Jan. 1971, "Frank Lloyd Wright Metal Desk", p. 6, center right of page.

Primary Examiner—Donald P. Walsh

Assistant Examiner—Monica A. Hannon

Attorney, Agent, or Firm—Armstrong, Nikaido, Marmelstein, Kubovcik & Murray

[57] **CLAIM**

The ornamental design for a desk, as shown and described.

DESCRIPTION

FIG. 1 is a top plan view of a desk showing our new design;

FIG. 2 is a bottom plan view thereof;

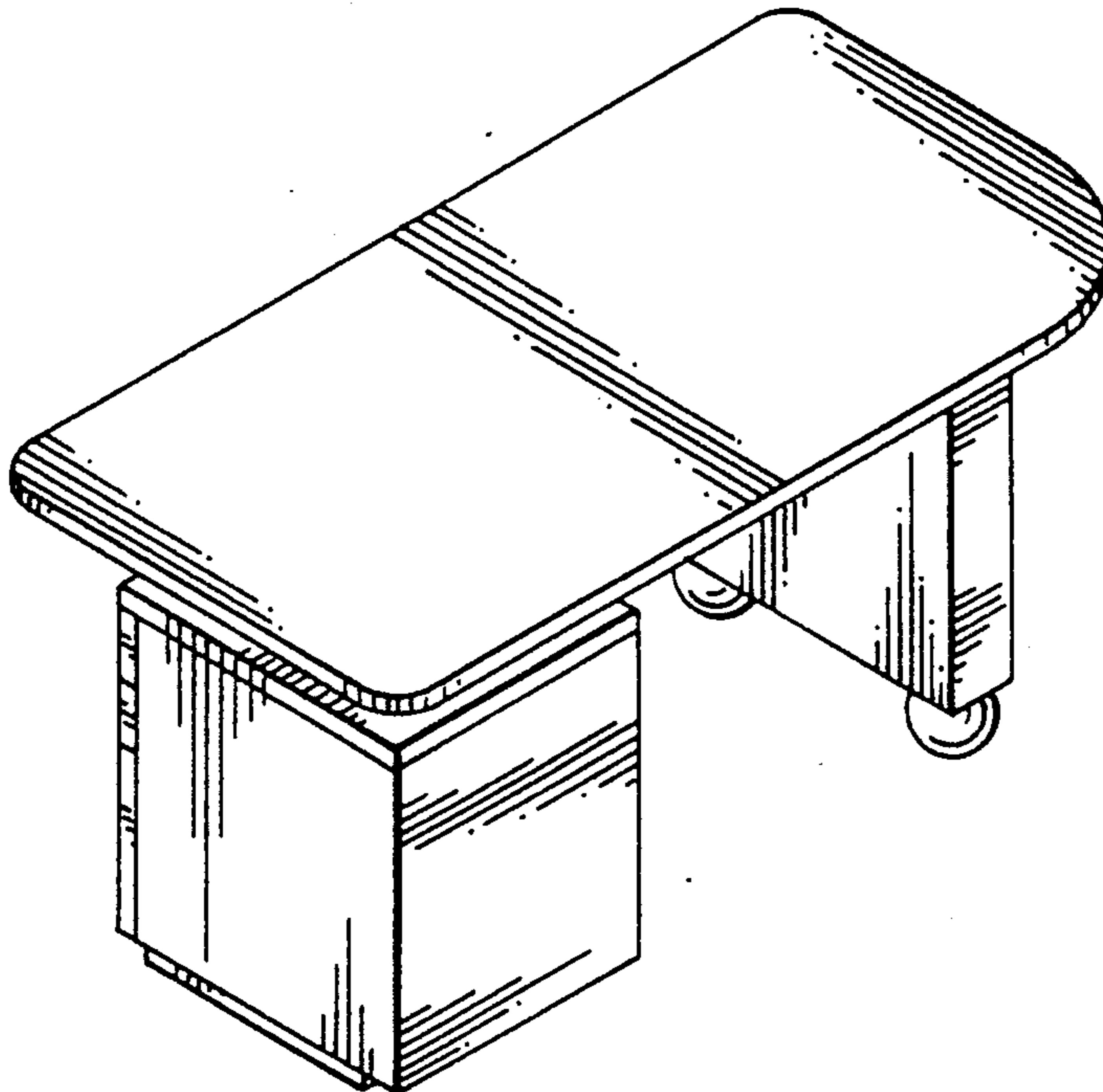
FIG. 3 is a rear elevational view thereof;

FIG. 4 is a left side elevational view thereof;

FIG. 5 is a front elevational view thereof;

FIG. 6 is a right side elevational view thereof; and,

FIG. 7 is a front perspective view thereof.



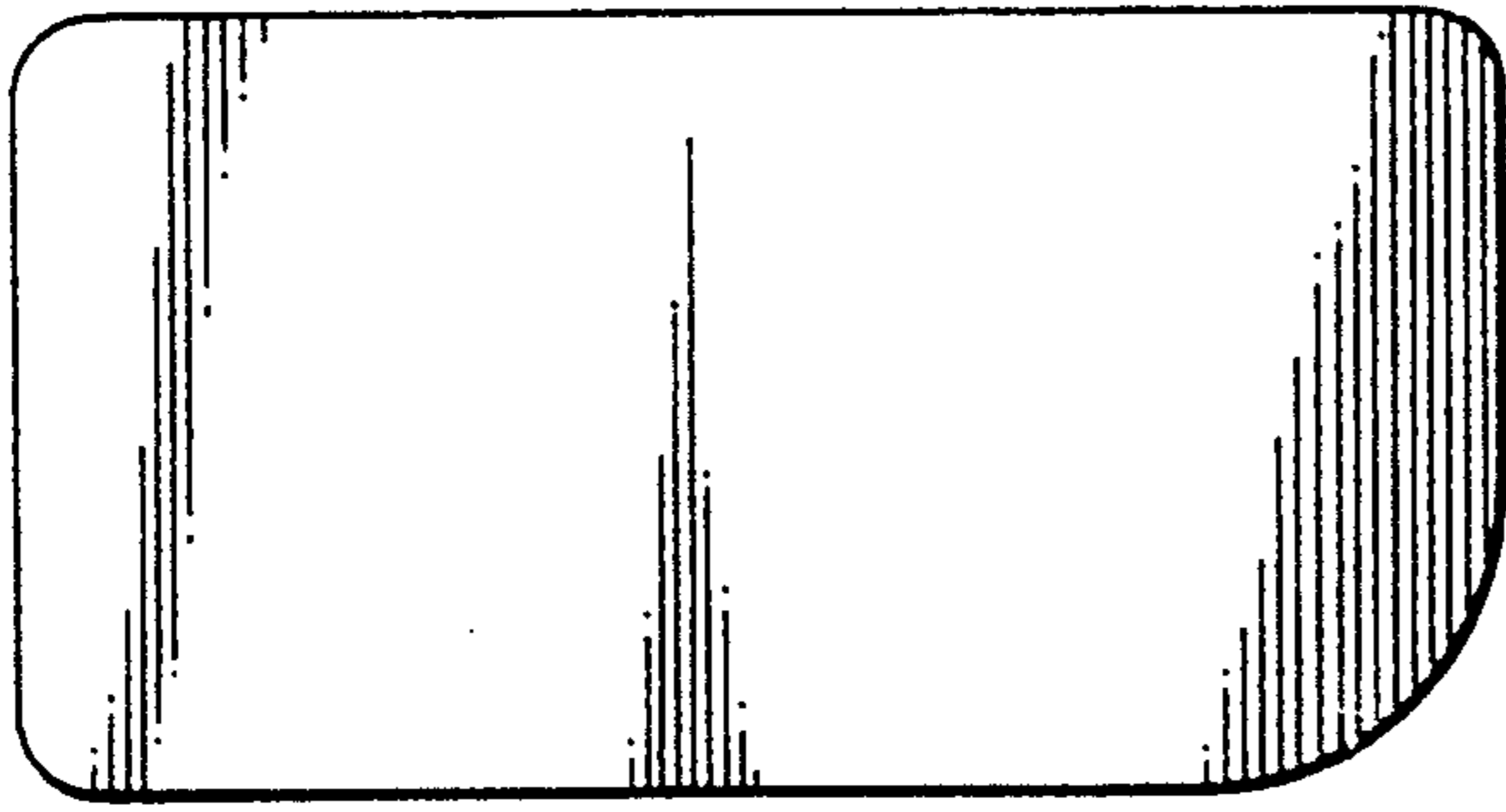


FIG. 1

FIG. 2

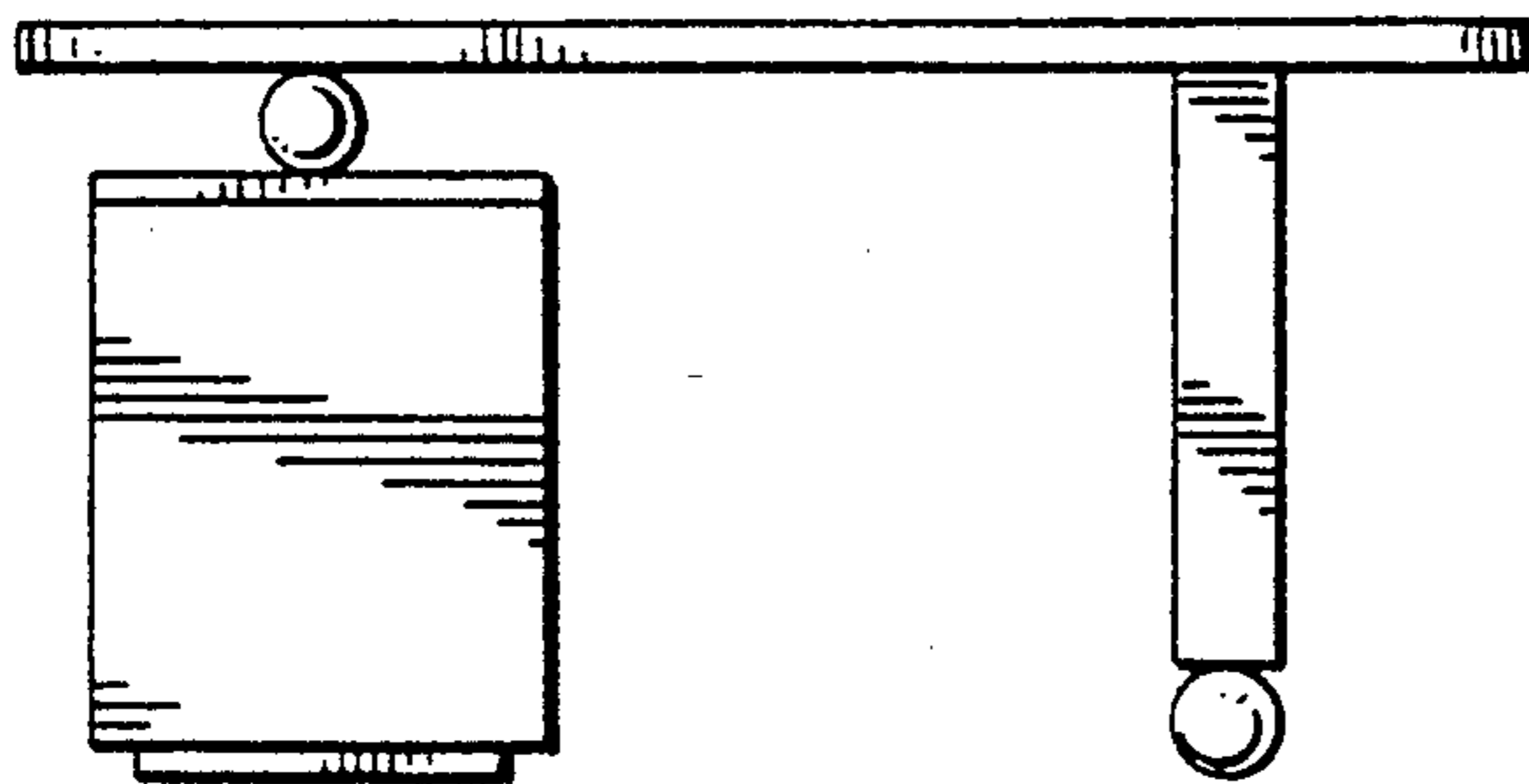
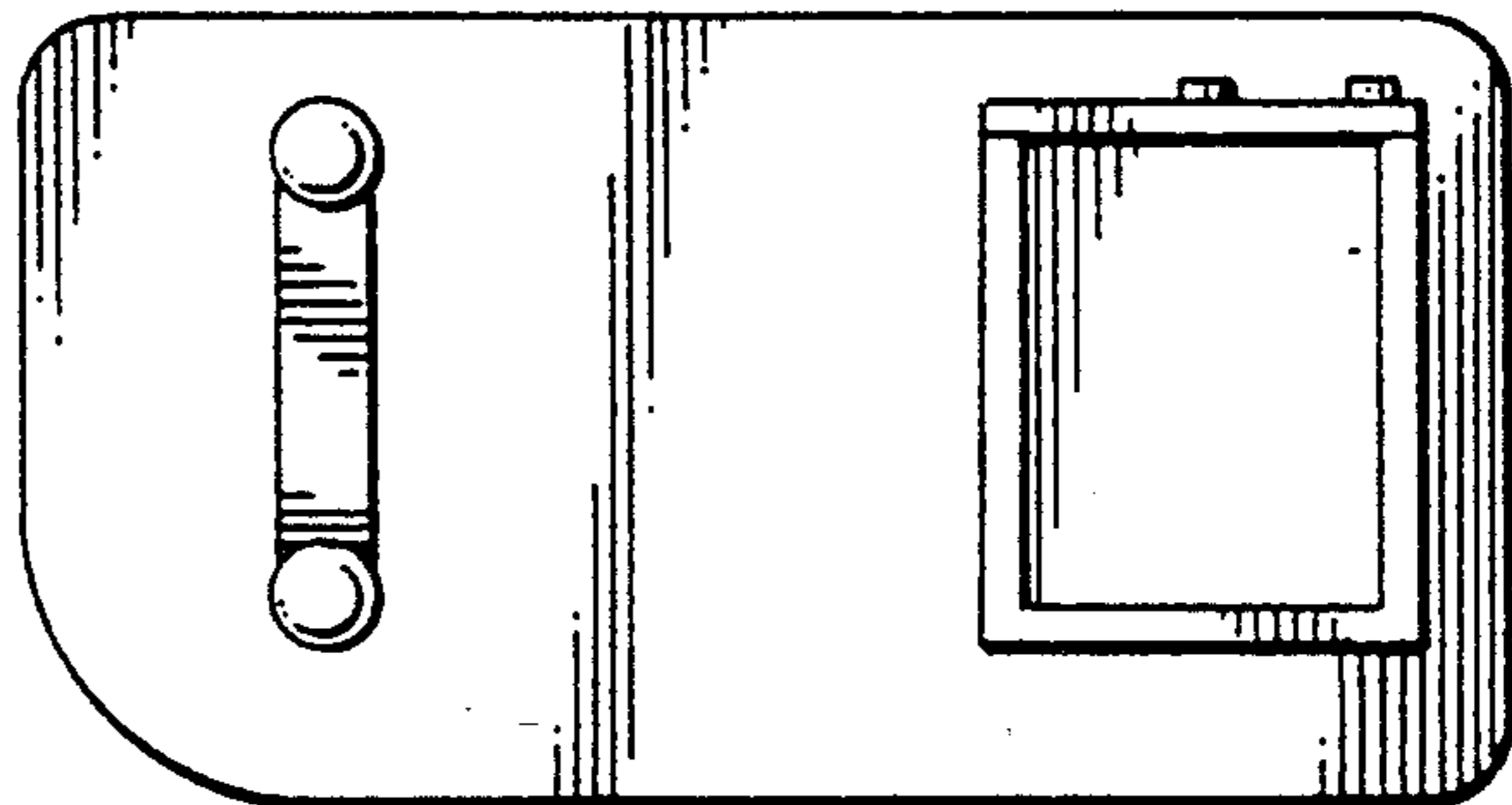
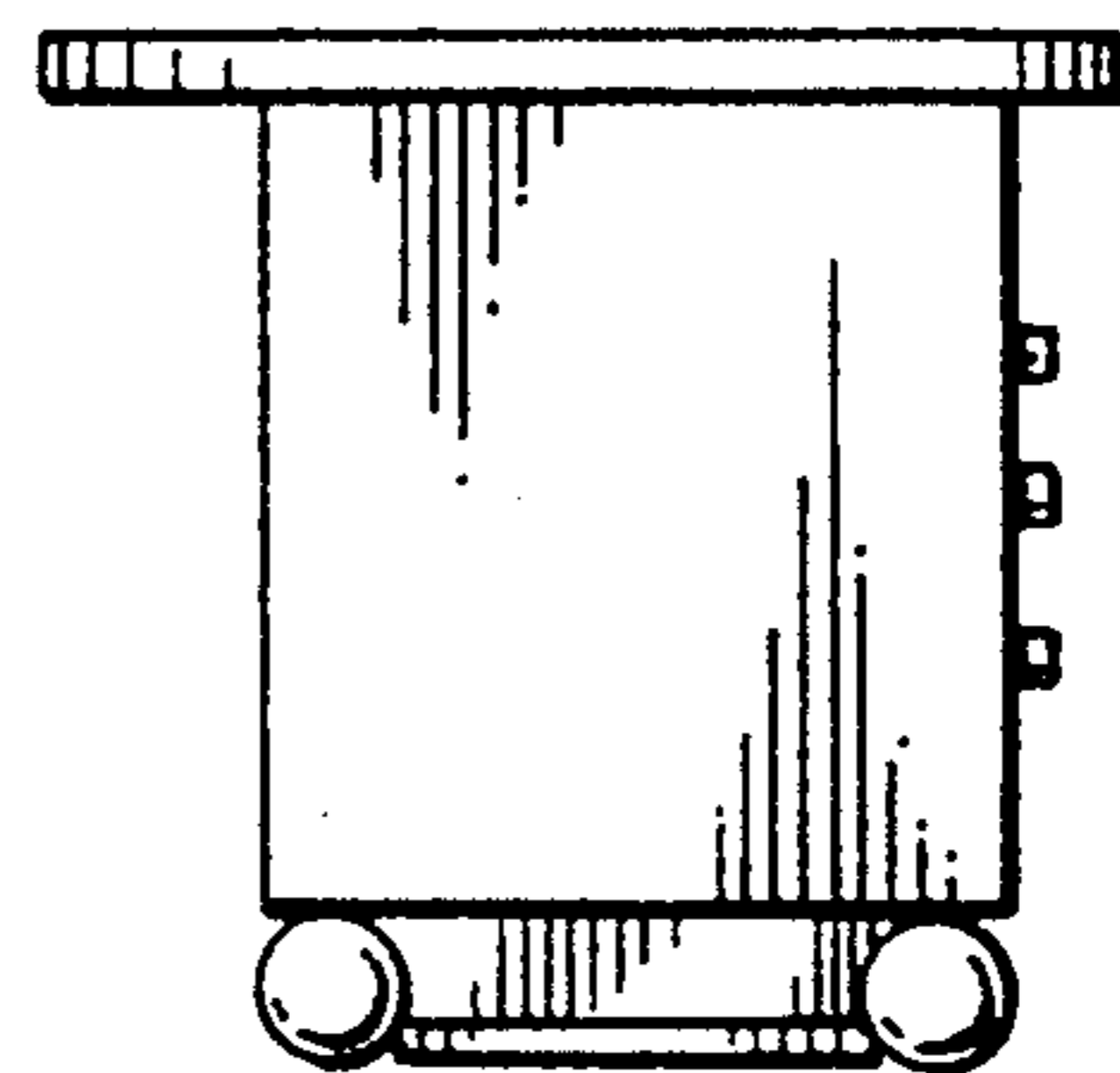


FIG. 3

FIG. 4



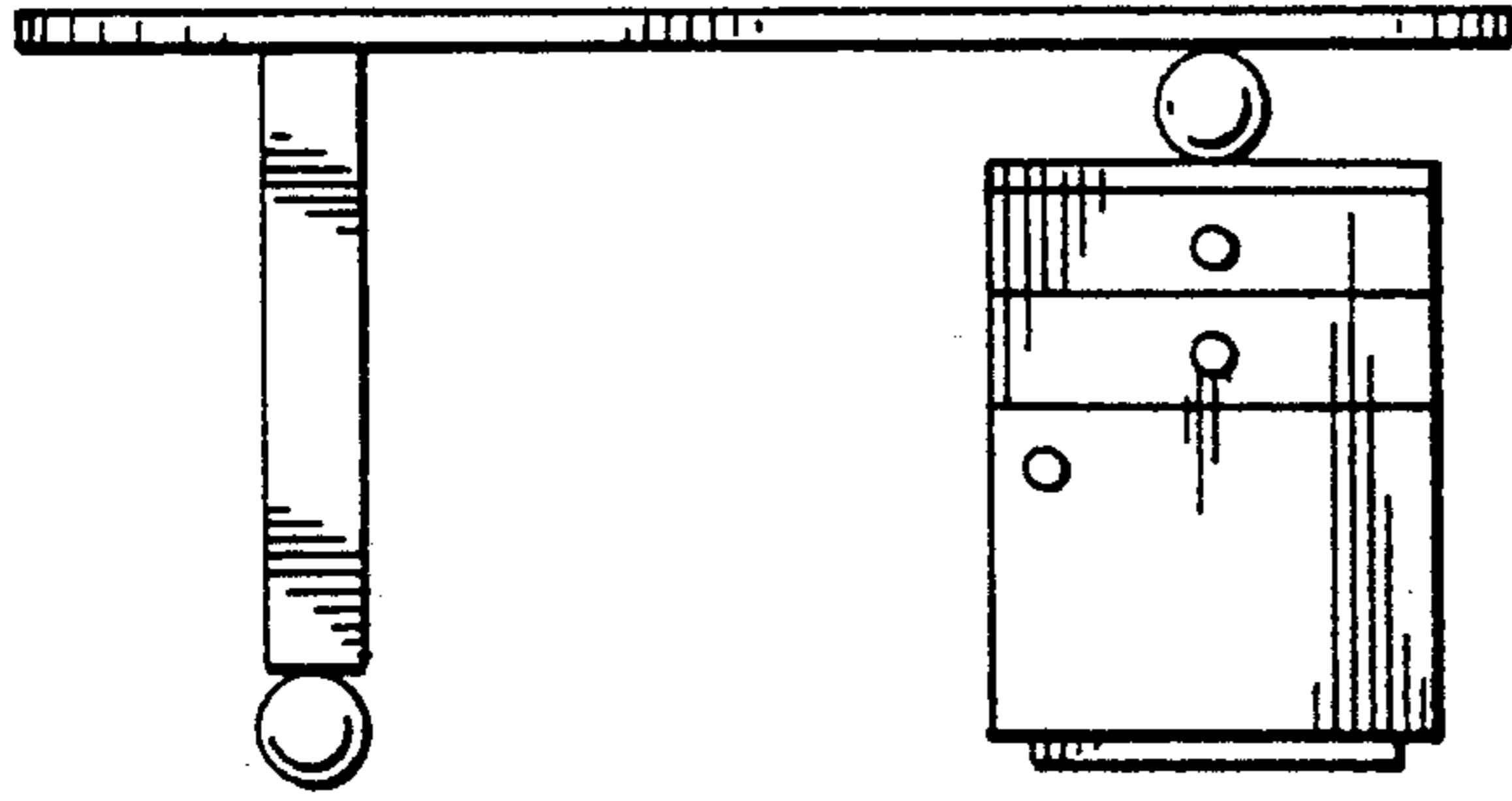


FIG. 5

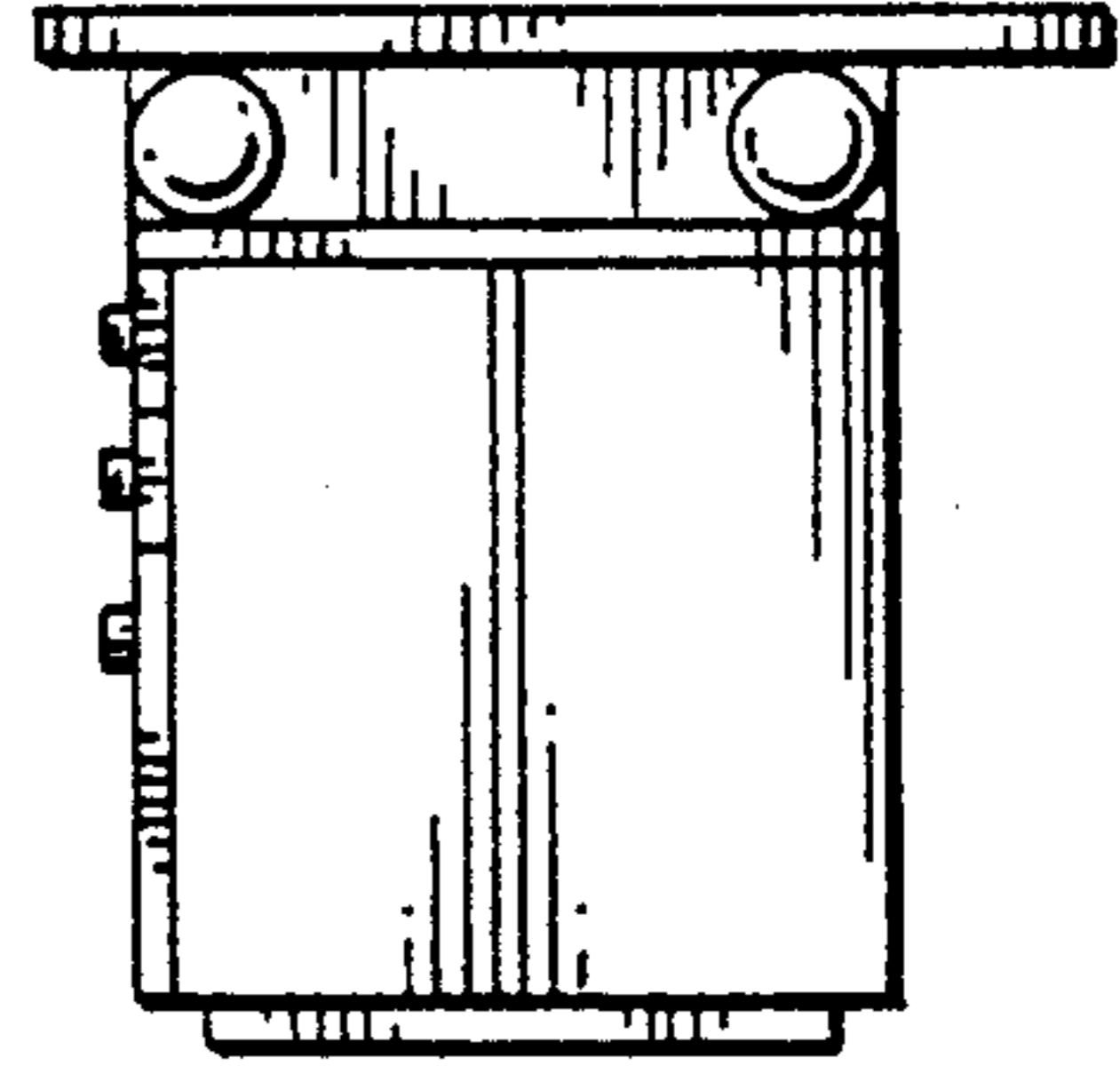


FIG. 6

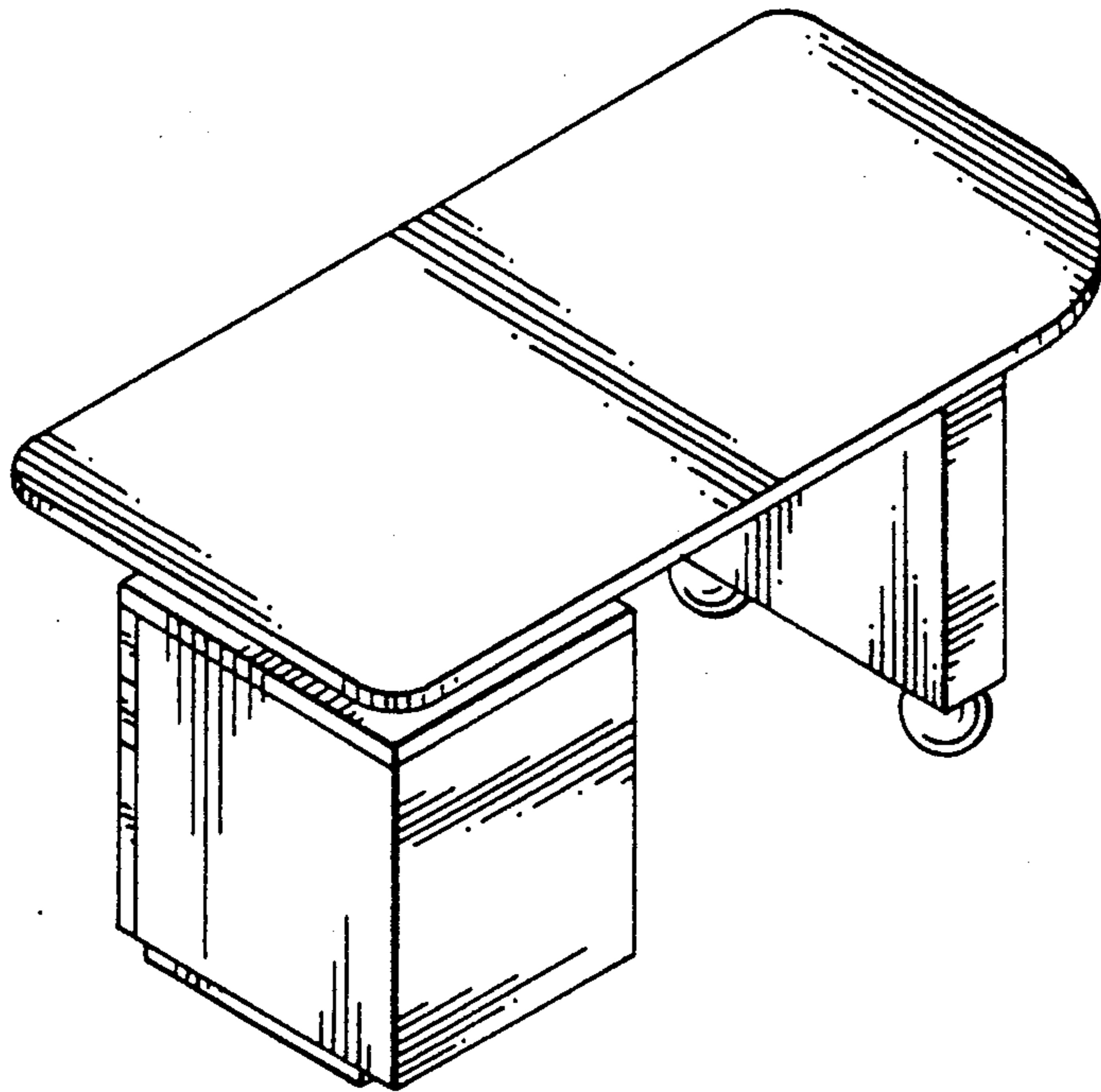


FIG. 7