



US00D327788S

United States Patent [19]

Allen

[11] Patent Number: **Des. 327,788**

[45] Date of Patent: **** Jul. 14, 1992**

[54] **FLOOR-MOUNTED DISPLAY FOR DISPLAYING RETAIL MERCHANDISE WITH TOP SHELF**

[75] Inventor: **John L. Allen, Houston, Tex.**

[73] Assignee: **Liz Claiborne, Inc., New York, N.Y.**

[**] Term: **14 Years**

[21] Appl. No.: **410,743**

[22] Filed: **Sep. 21, 1989**

[52] U.S. Cl. **D6/414; D6/396; D6/397; D6/410; D6/411; D6/445; D6/449; 108/1**

[58] Field of Search **D6/414, 411, 445; 108/1, 6, 8; 211/70.1, 97, 98, 99, 100, 102, 103, 119.1, 204; 248/70, 160, 186, 408, 415, 423, 518, 519, 523, 524, 599; 312/8, 114, 117, 118, 137, 194, 195, 196, 294, 299, 304, 307**

[56] **References Cited**

U.S. PATENT DOCUMENTS

D. 283,184	1/1986	Saporiti	D6/445 X
D. 289,350	4/1987	Cordero	D6/414 X
D. 314,090	1/1991	Stephens et al.	D6/445 X
D. 318,194	7/1991	Terrell et al.	D6/414
1,427,249	8/1922	Weston	108/1

OTHER PUBLICATIONS

Schoner Wohnen, Jan. 1989, p. 76, "Scriva" display, top right of page.

Primary Examiner—Donald P. Walsh
Assistant Examiner—Monica A. Hannon
Attorney, Agent, or Firm—Kirschstein, Ottinger, Israel & Schiffmiller

[57] **CLAIM**

The ornamental design for a floor-mounted display for displaying retail merchandise with top shelf, as shown and described.

DESCRIPTION

FIG. 1 is a top plan view of a floor-mounted display for displaying retail merchandise with top shelf with the top shelf removed showing my new design; FIG. 2 is a front elevational view thereof; FIG. 3 is a left side elevational view thereof; FIG. 4 is a right side elevational view thereof; FIG. 5 is a bottom plan view thereof; FIG. 6 is a top plan view with the top shelf in place thereof; FIG. 7 is a front elevational view of FIG. 6; FIG. 8 is a perspective view of the display of FIG. 1; and, FIG. 9 is a perspective view of the display of FIG. 6.

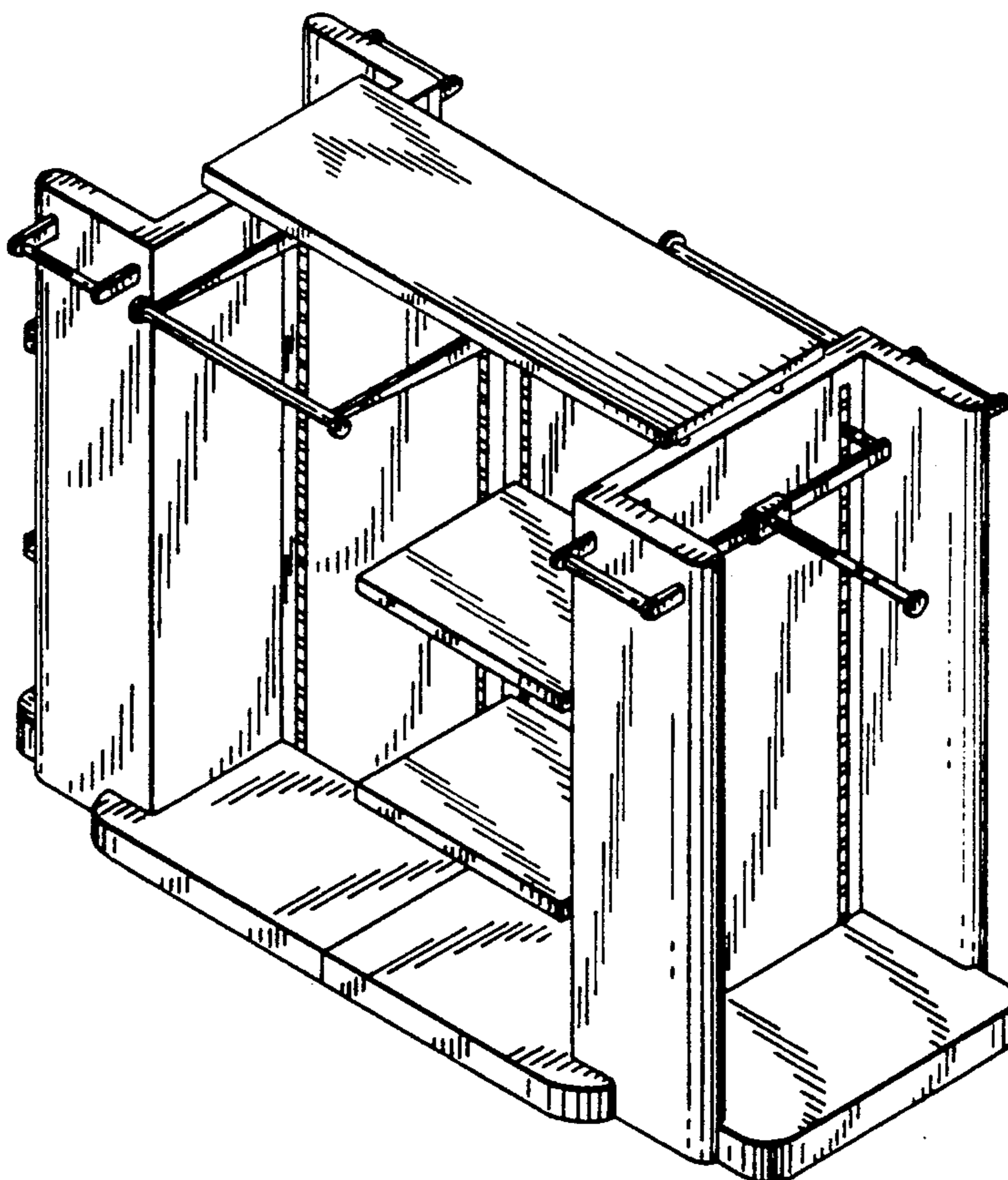


FIG. 1

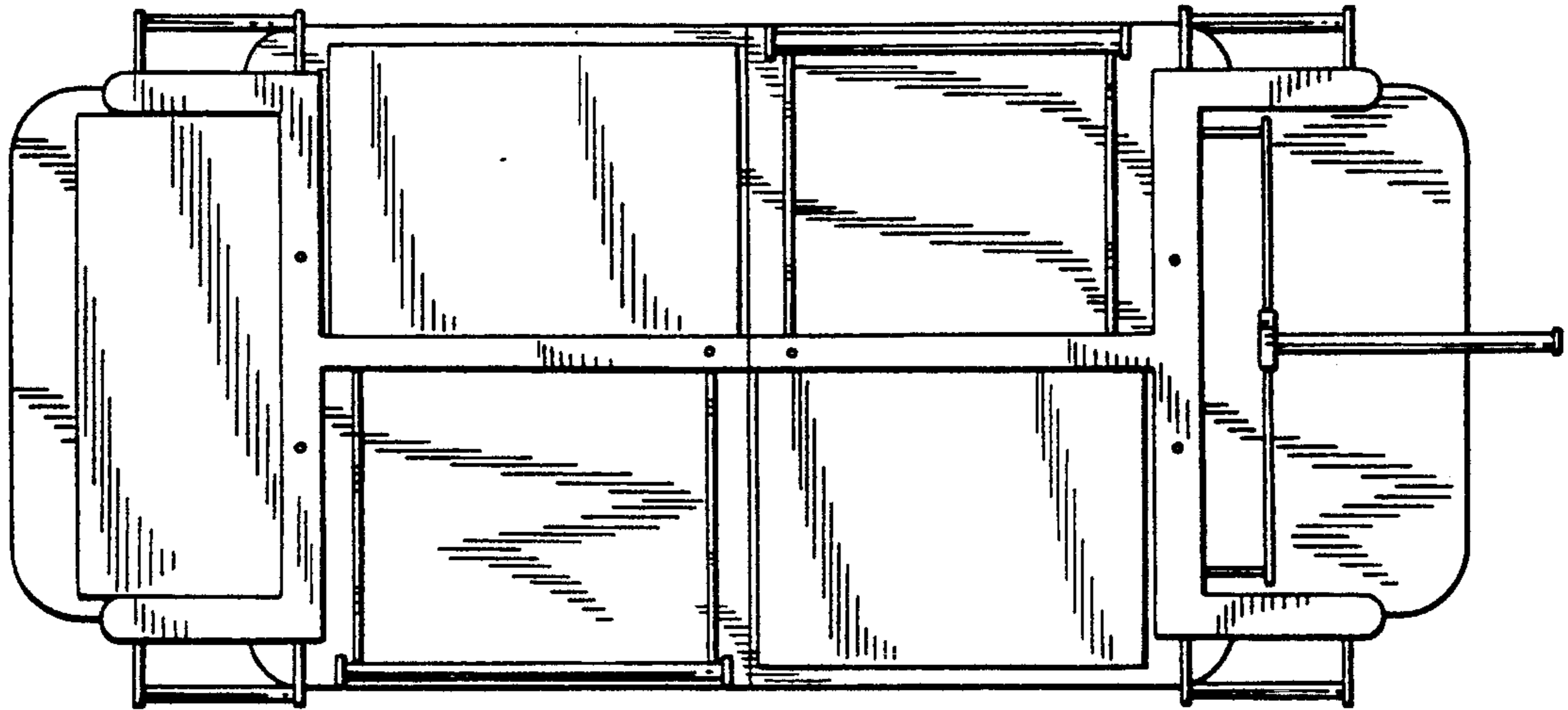


FIG. 2

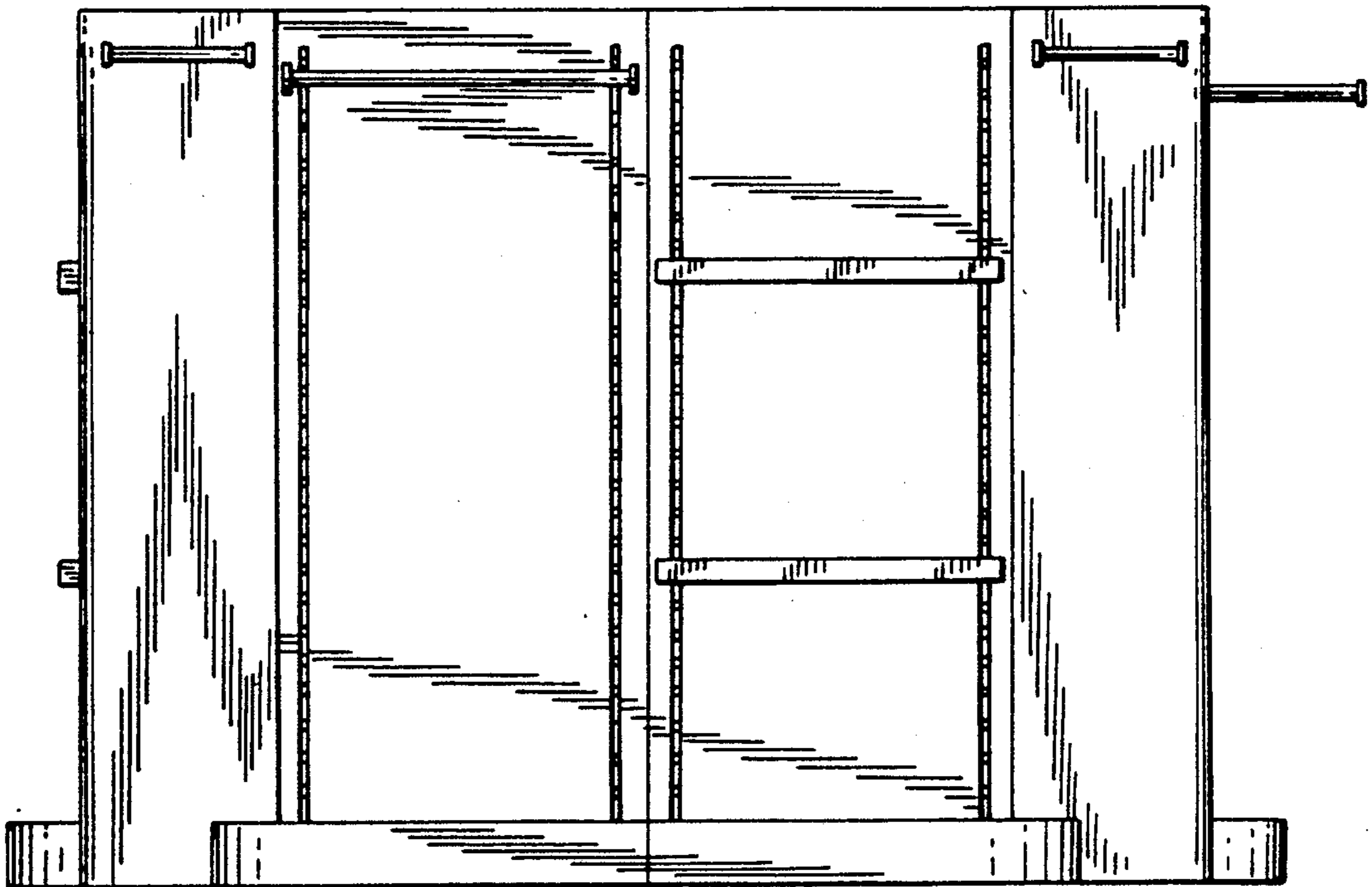


FIG. 3

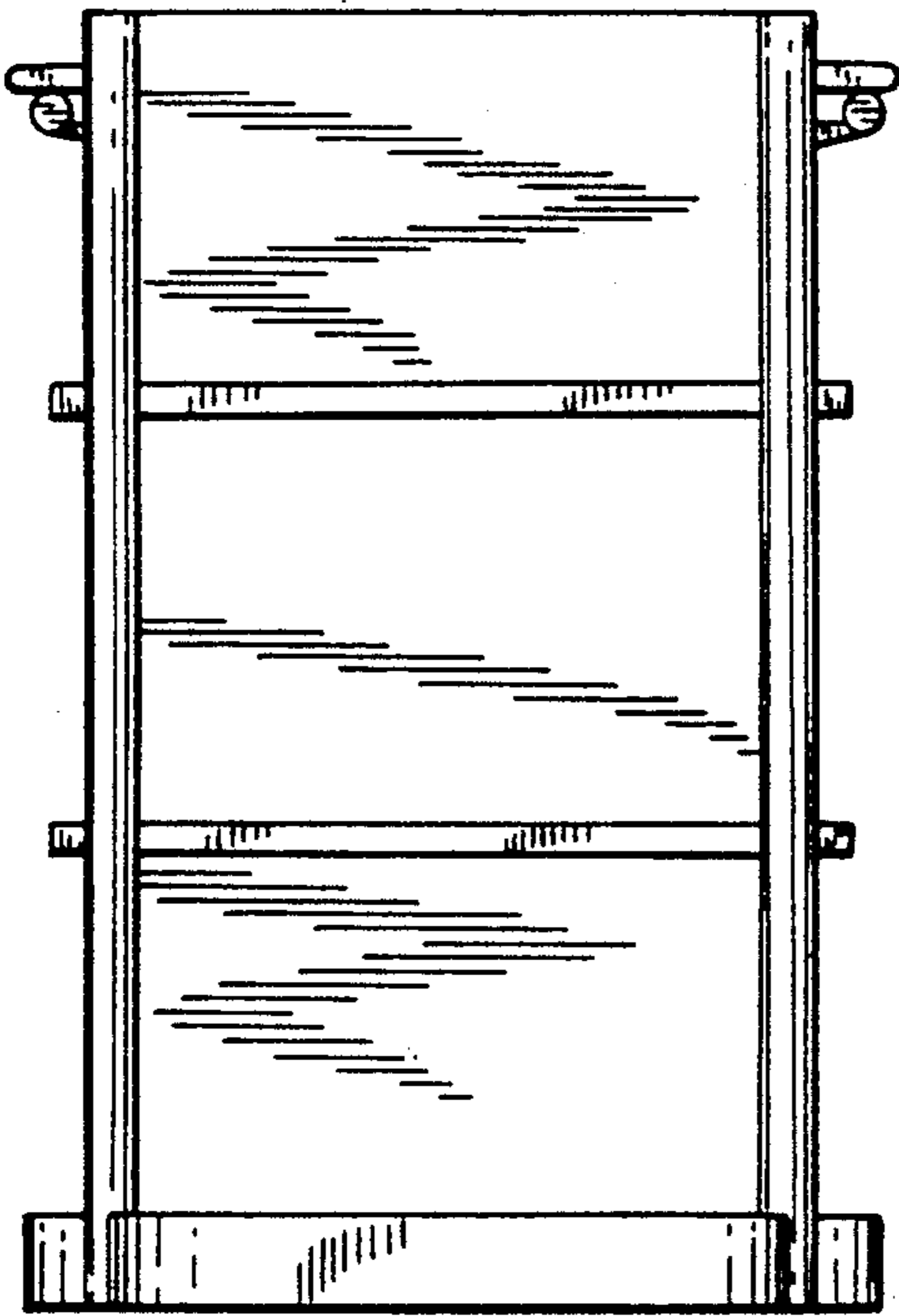


FIG. 4

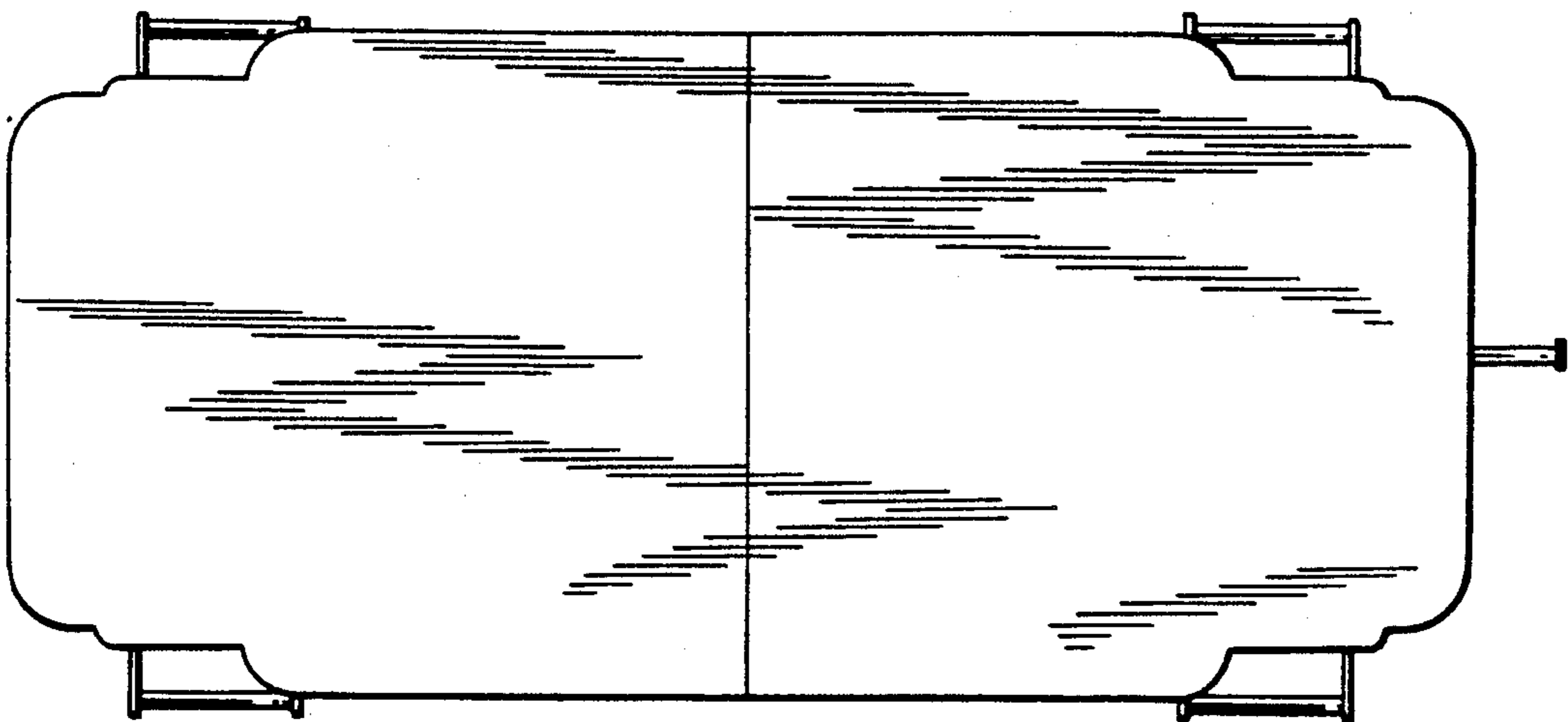
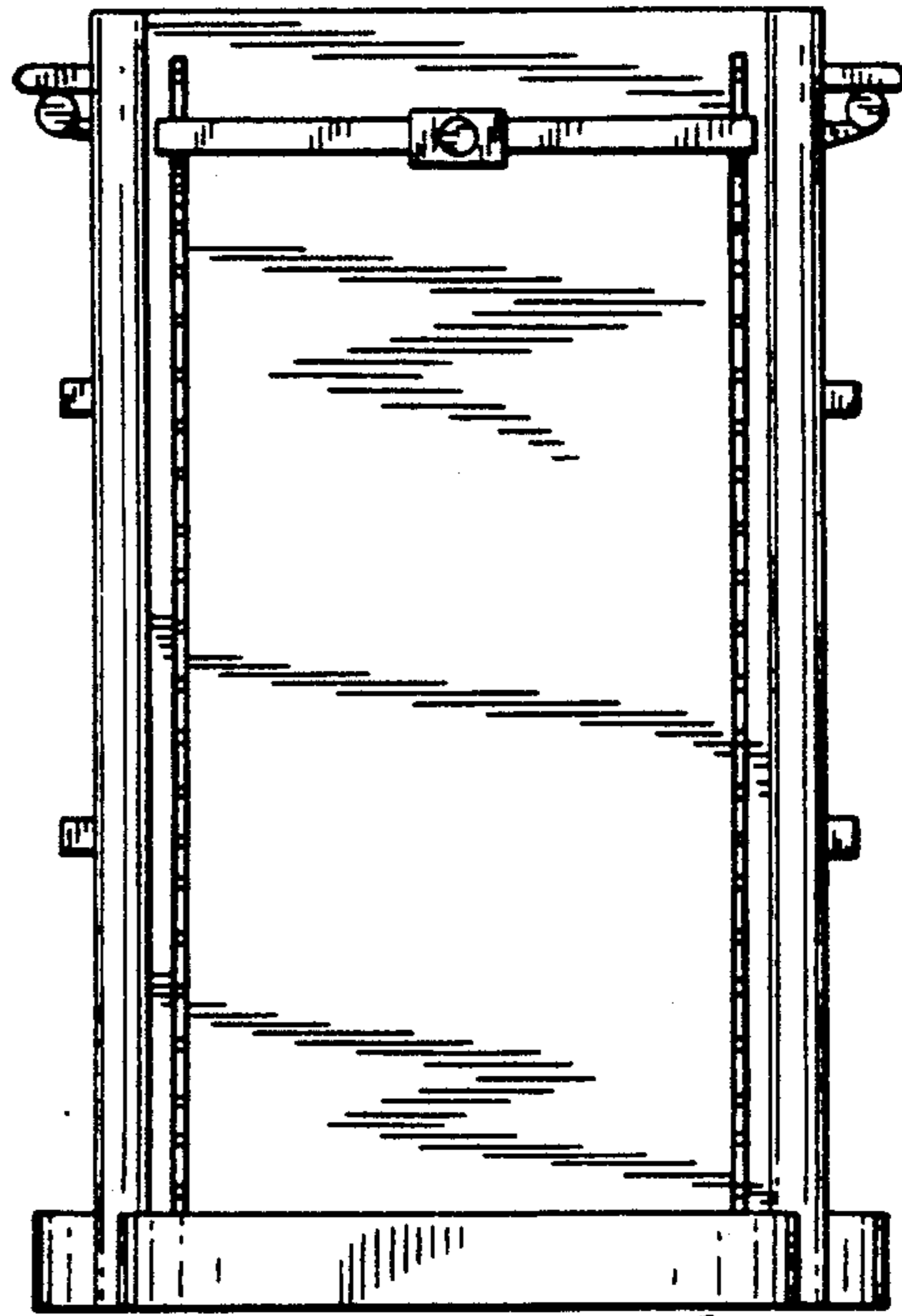


FIG. 5

FIG. 6

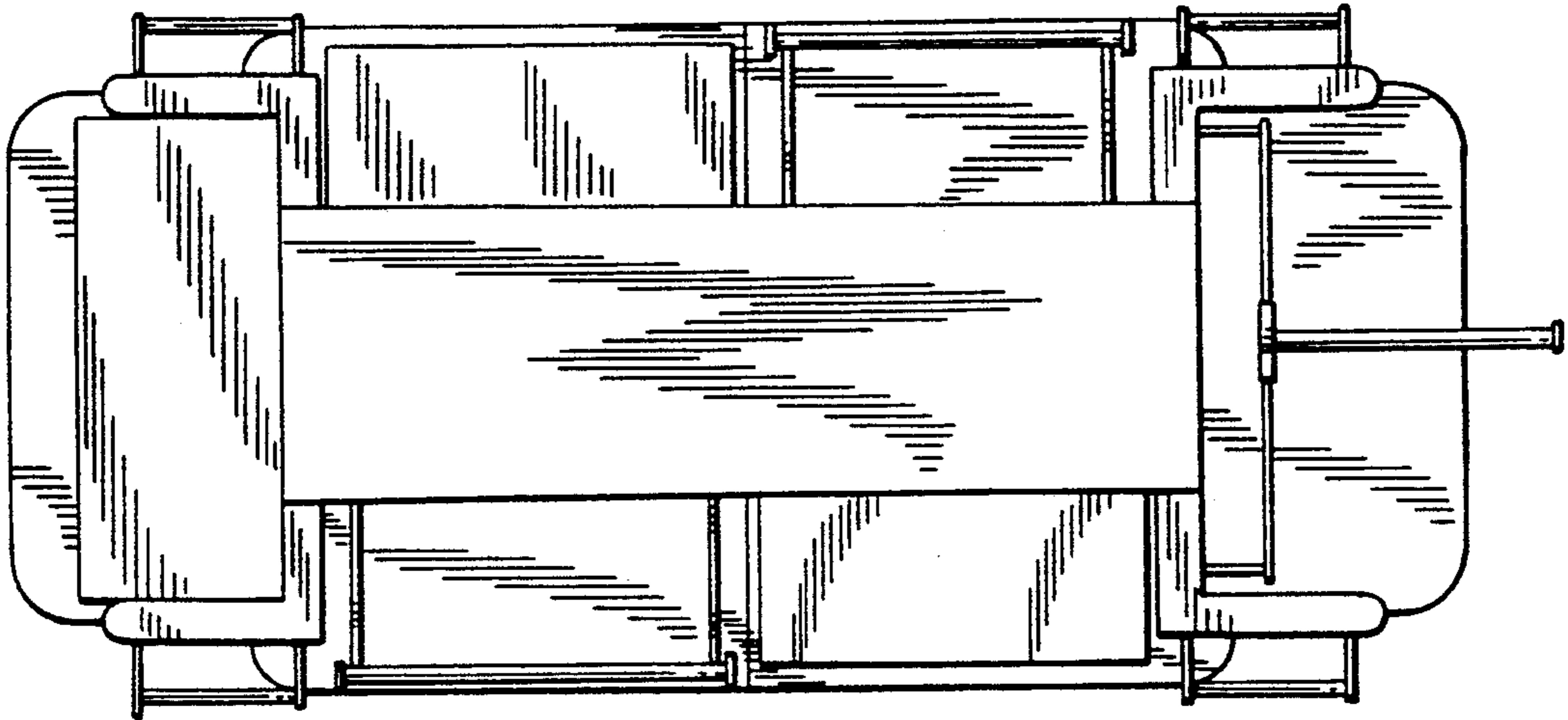


FIG. 7

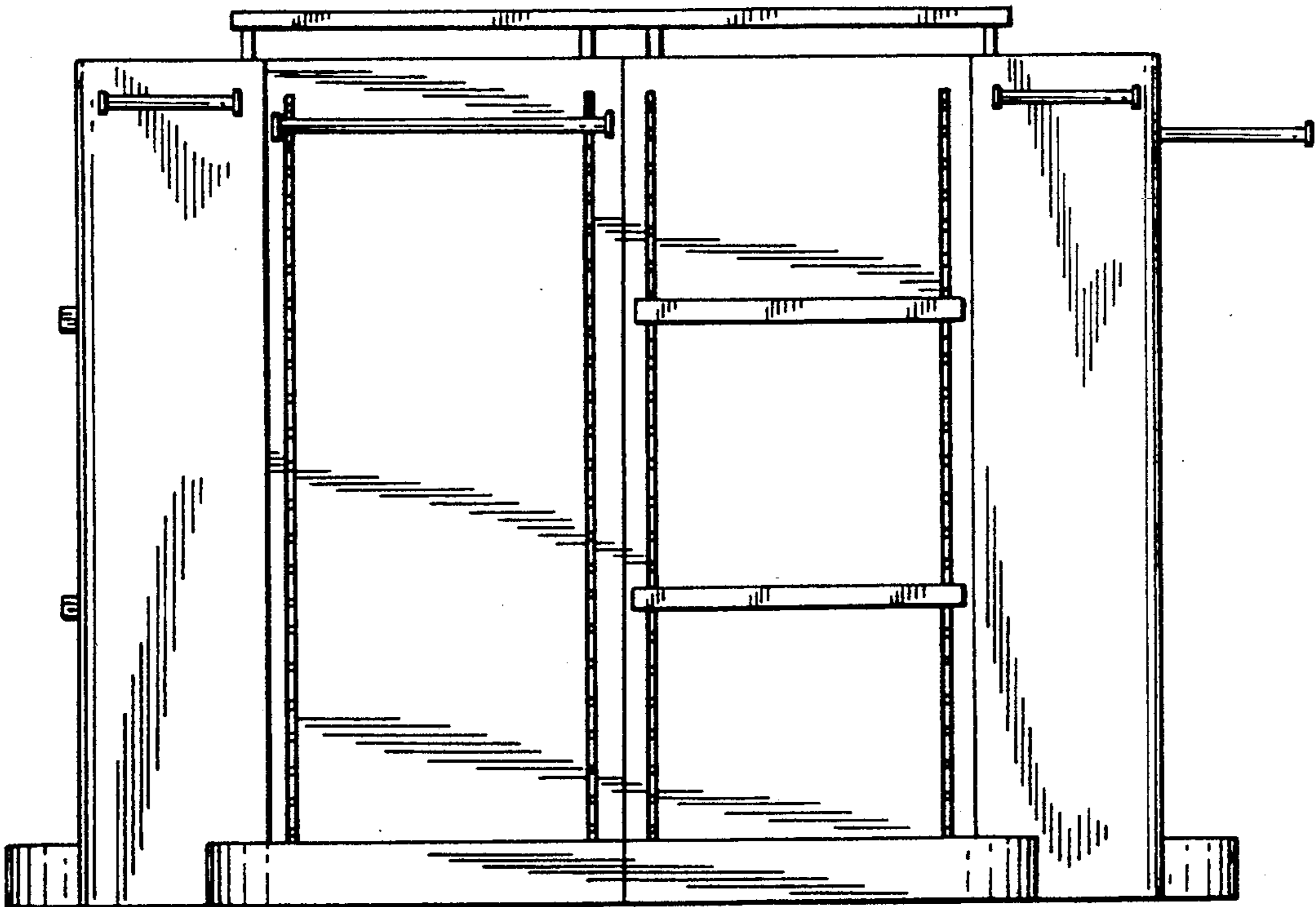


FIG. 8

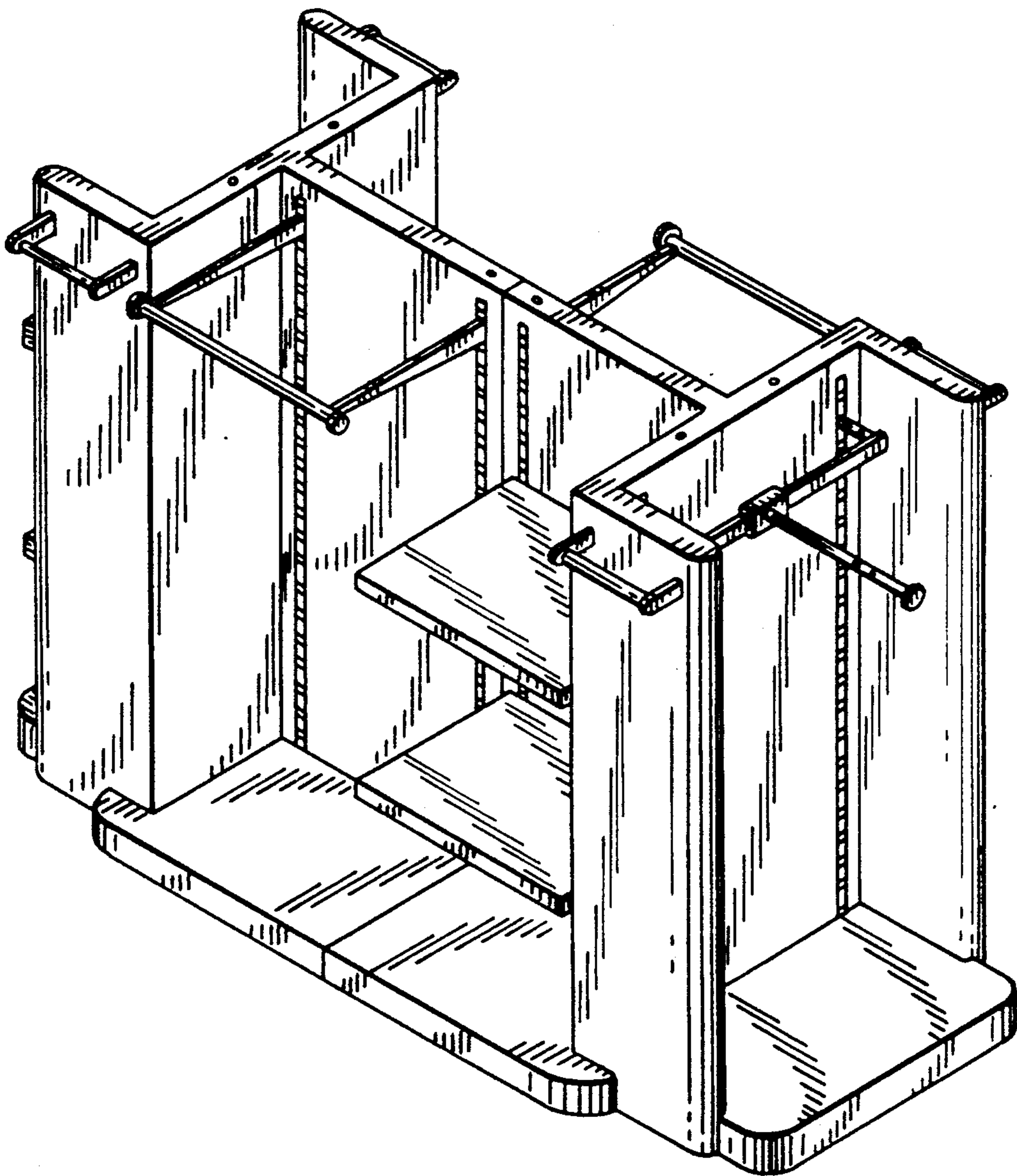


FIG. 9

