



US00D327786S

United States Patent [19]

[11] Patent Number: **Des. 327,786**

Ferrell

[45] Date of Patent: **** Jul. 14, 1992**

[54] **COMBINED DIAPER DISPENSER AND CHANGING TABLE**

[76] Inventor: **Linda A. Ferrell, 60070 Havenridge, New Haven, Mich. 48048**

[**] Term: **14 Years**

[21] Appl. No.: **248,537**

[22] Filed: **Sep. 23, 1988**

[52] U.S. Cl. **D6/397; D6/390; D20/1**

[58] Field of Search **D6/390, 449, 455, 457, D6/462, 397; D9/432; 211/13; D20/1; 5/2.1, 3, 93.1**

[56] **References Cited**

U.S. PATENT DOCUMENTS

D. 235,705 7/1975 Pierson D6/390

D. 260,827 9/1981 Sommer D6/390 X
D. 277,364 1/1985 Nightingale, III D9/432 X
D. 280,491 9/1985 Nielsen D9/432
2,686,922 8/1954 Vigne D6/390 X

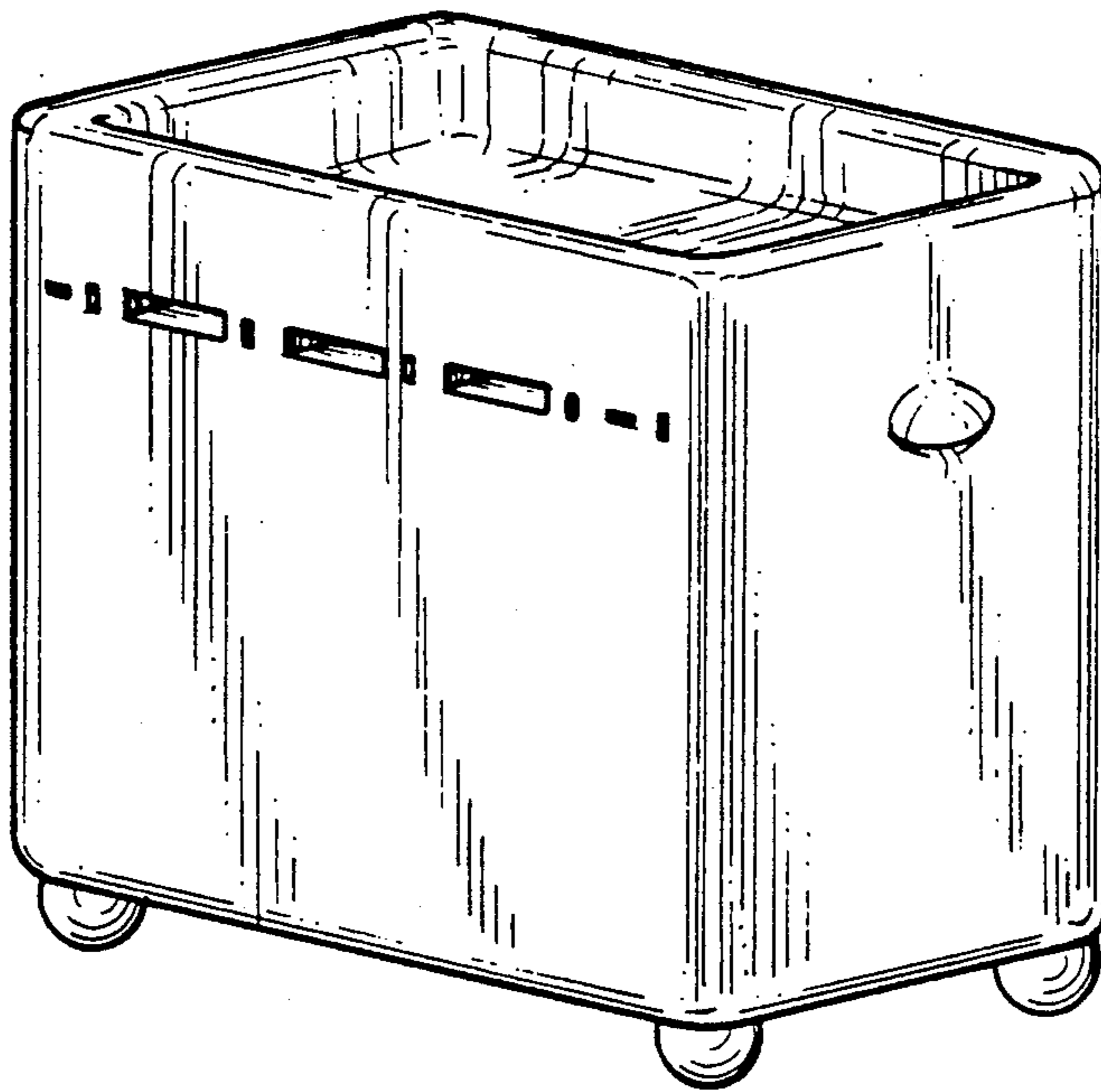
Primary Examiner—Donald P. Walsh
Assistant Examiner—Jeffrey Asch
Attorney, Agent, or Firm—Basile and Hanlon

[57] **CLAIM**

The ornamental design for combined diaper dispenser and changing table, as shown and described.

DESCRIPTION

FIG. 1 is a front, top and right side perspective view of a combined diaper dispenser and changing table showing my new design;
FIG. 2 is a top plan view thereof;
FIG. 3 is a left side elevational view thereof; and,
FIG. 4 is a rear elevational view thereof.



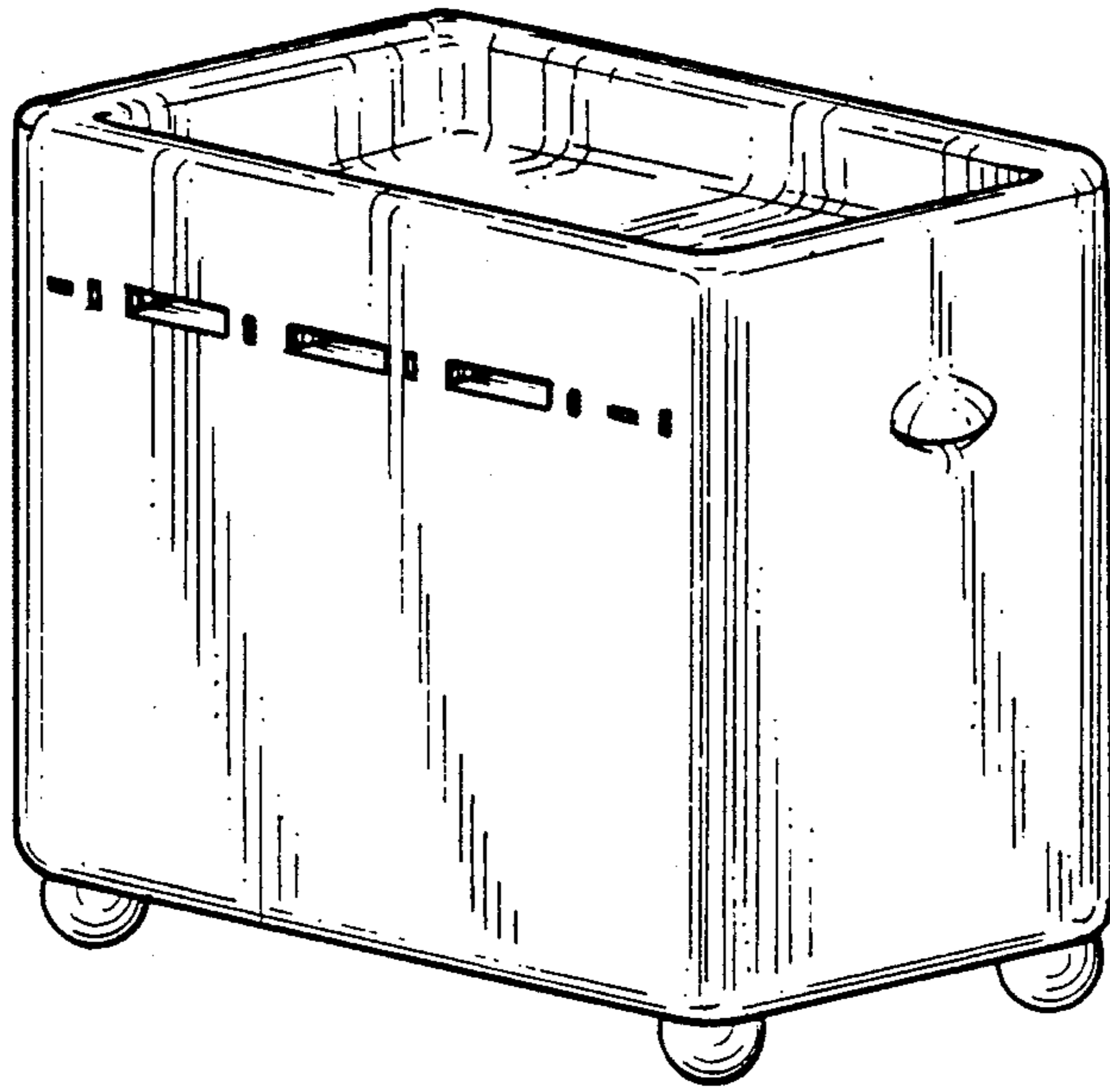


FIG - 1

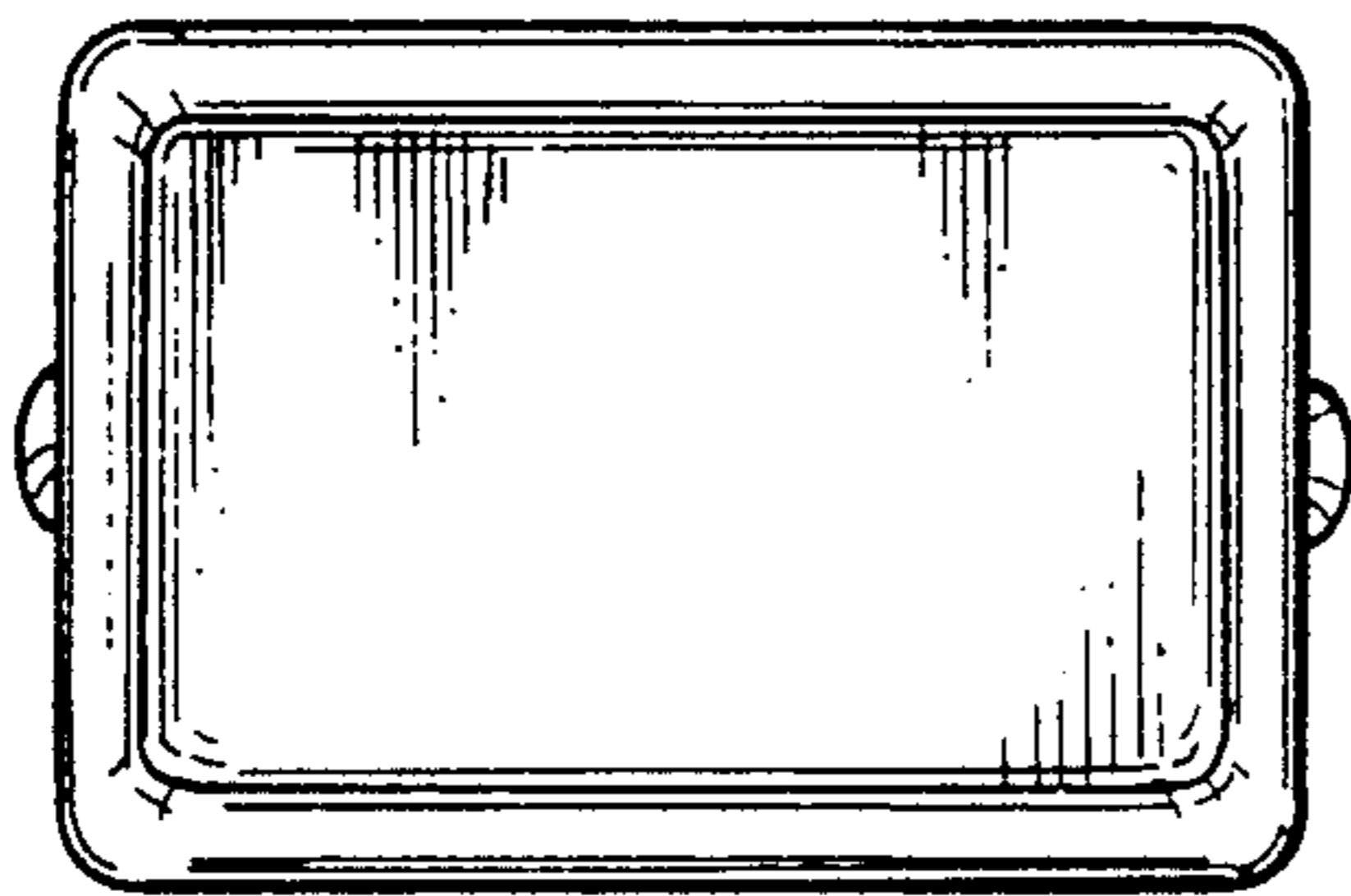


FIG - 2

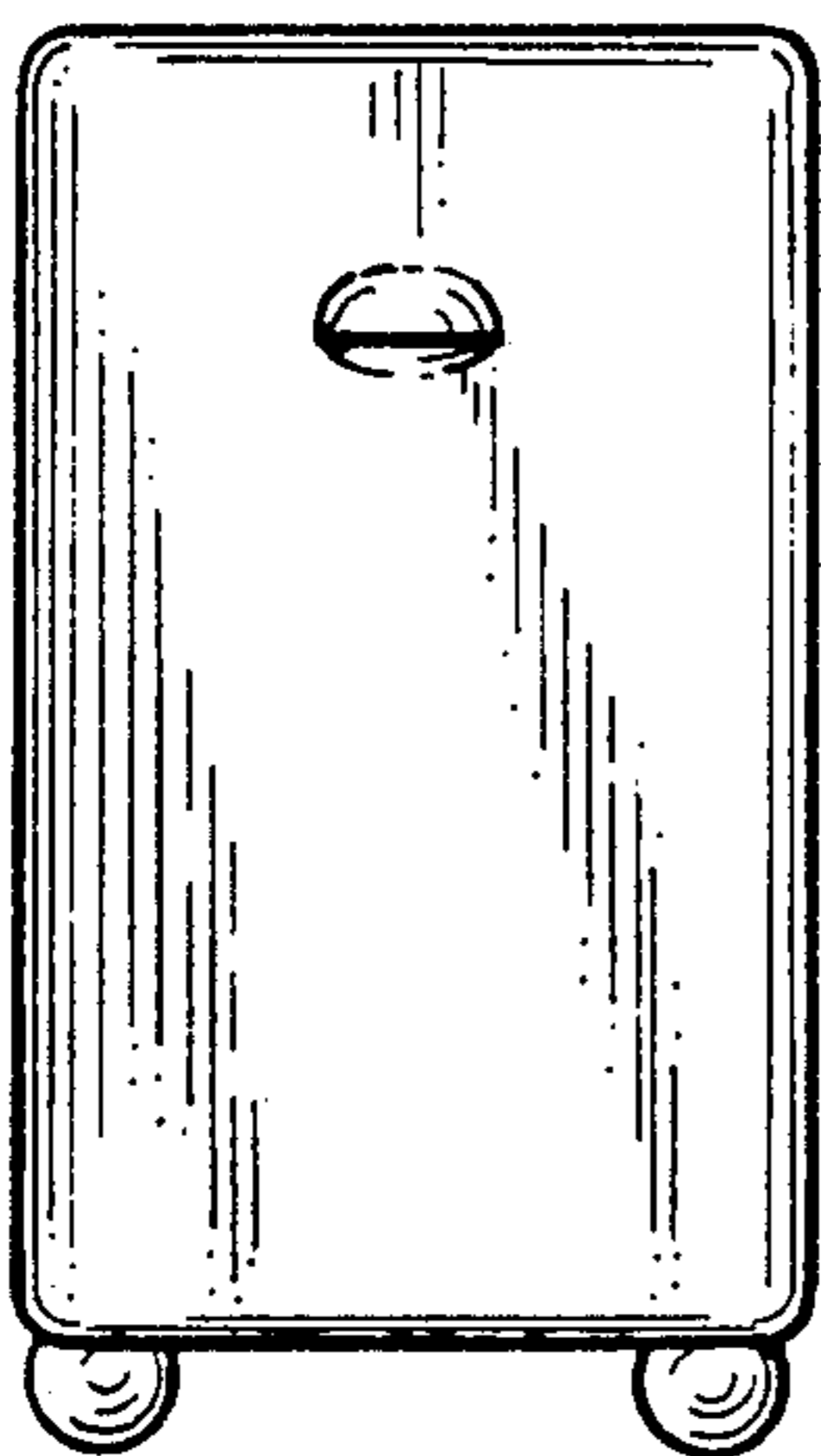


FIG - 3

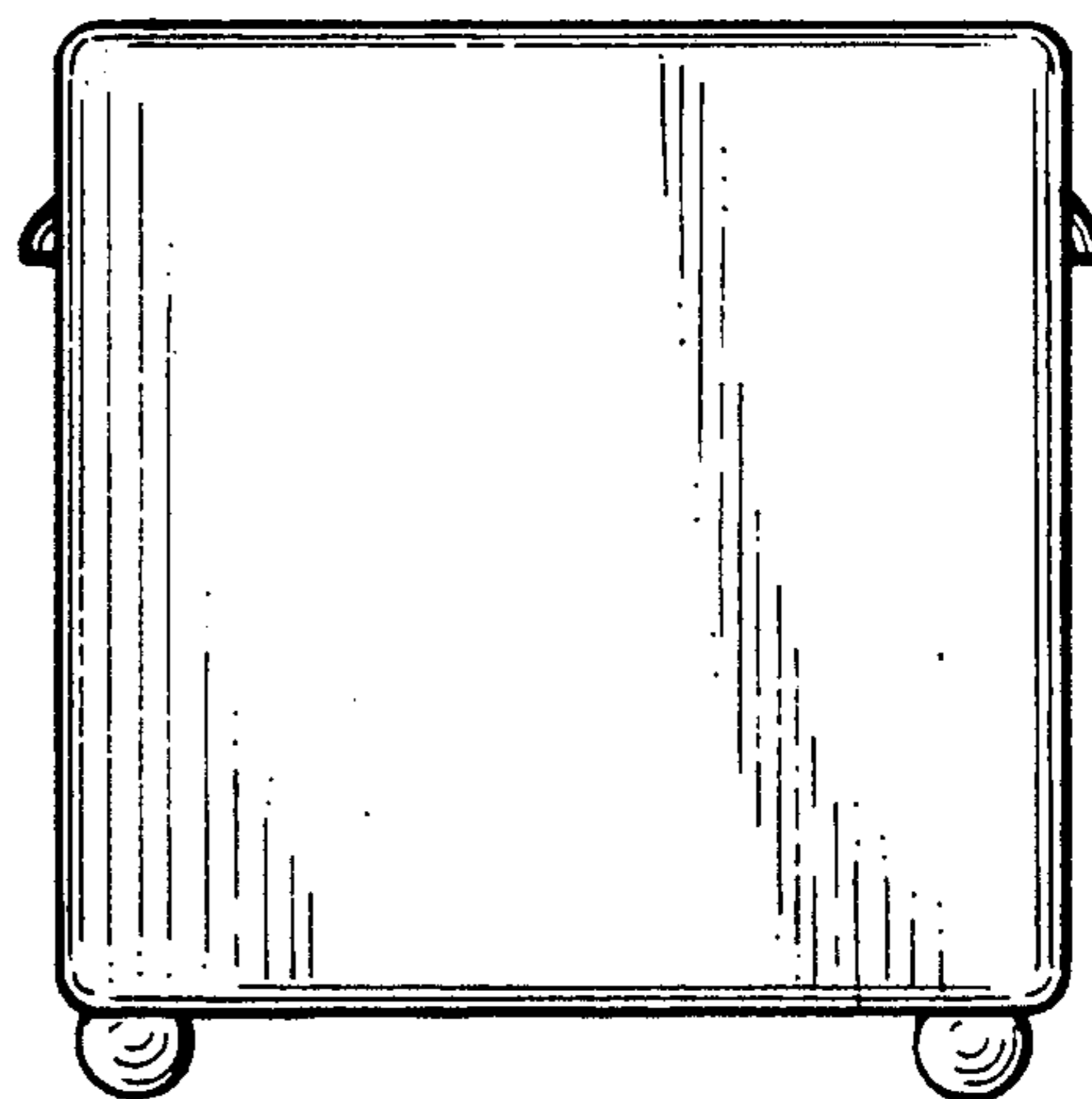


FIG - 4