



US00D327783S

United States Patent [19]

[11] Patent Number: **Des. 327,783**

Currimjee

[45] Date of Patent: **** Jul. 14, 1992**

[54] CHAIR

[76] Inventor: **Abbasali A. Currimjee**, 6, Sir William Newton Street, Port Louis, Mauritania

[**] Term: **14 Years**

[21] Appl. No.: **246,164**

[22] Filed: **Sep. 16, 1988**

[30] **Foreign Application Priority Data**

Mar. 17, 1988 [GB] United Kingdom 1049276

[52] U.S. Cl. **D6/372; D6/374; D6/375**

[58] Field of Search **D6/334, 365-366, D6/371, 372, 374, 375, 500**

[56] **References Cited**

U.S. PATENT DOCUMENTS

- D. 237,920 12/1975 Bernard D6/372
- D. 288,869 3/1987 Bitsch D6/365
- D. 299,191 1/1989 Frinier D6/375
- D. 301,662 6/1989 Vonhausen D6/366

OTHER PUBLICATIONS

Interiors, Nov. 1977, p. 26, Artena Chair, second chair from left mid page.

Interiors, Sep. 1981, p. 88, chair shown center page.

Primary Examiner—Donald P. Walsh

Assistant Examiner—Gary D. Watson

[57] **CLAIM**

The ornamental design for a chair, as shown and described.

DESCRIPTION

FIG. 1 is a left side perspective view of a chair showing my new design;

FIG. 2 is a rear elevational view;

FIG. 3 is a right side elevational view;

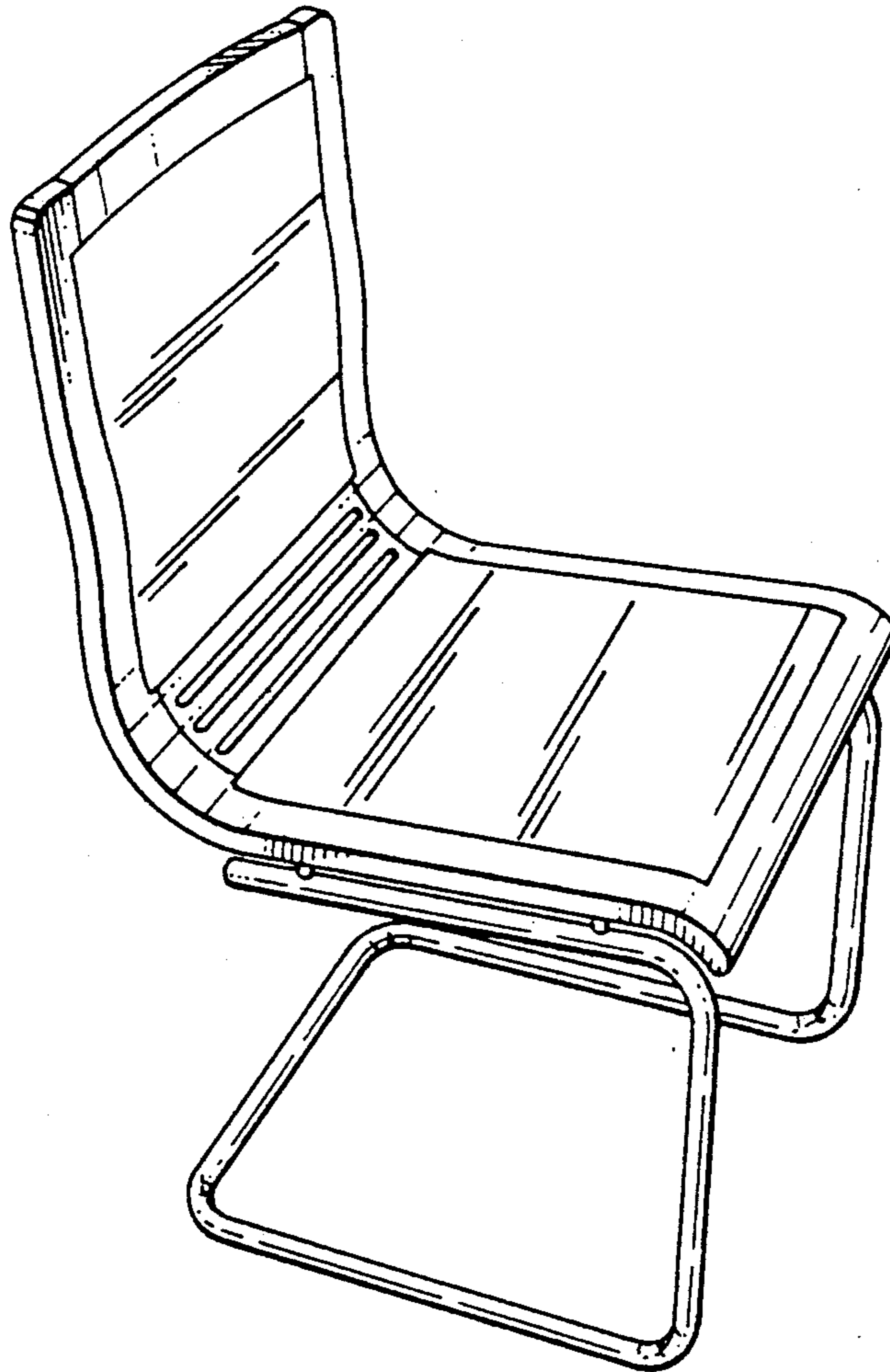
FIG. 4 is a top plan view thereof;

FIG. 5 is a left side perspective view of a chair showing a second embodiment of my new design;

FIG. 6 is a rear elevational view of FIG. 5;

FIG. 7 is a right side elevational view of FIG. 5; and,

FIG. 8 is a top plan view of FIG. 5.



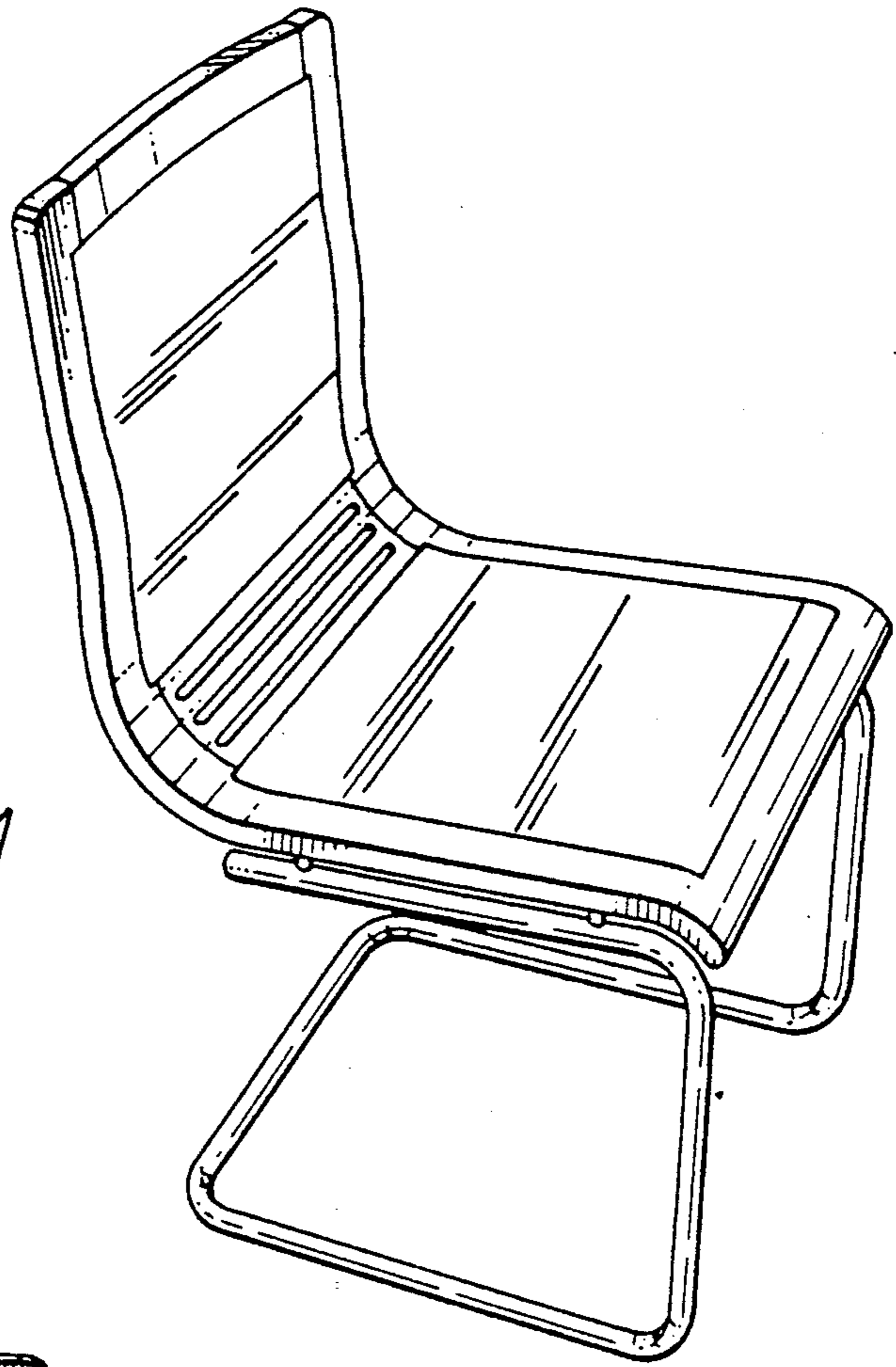


FIG. 1

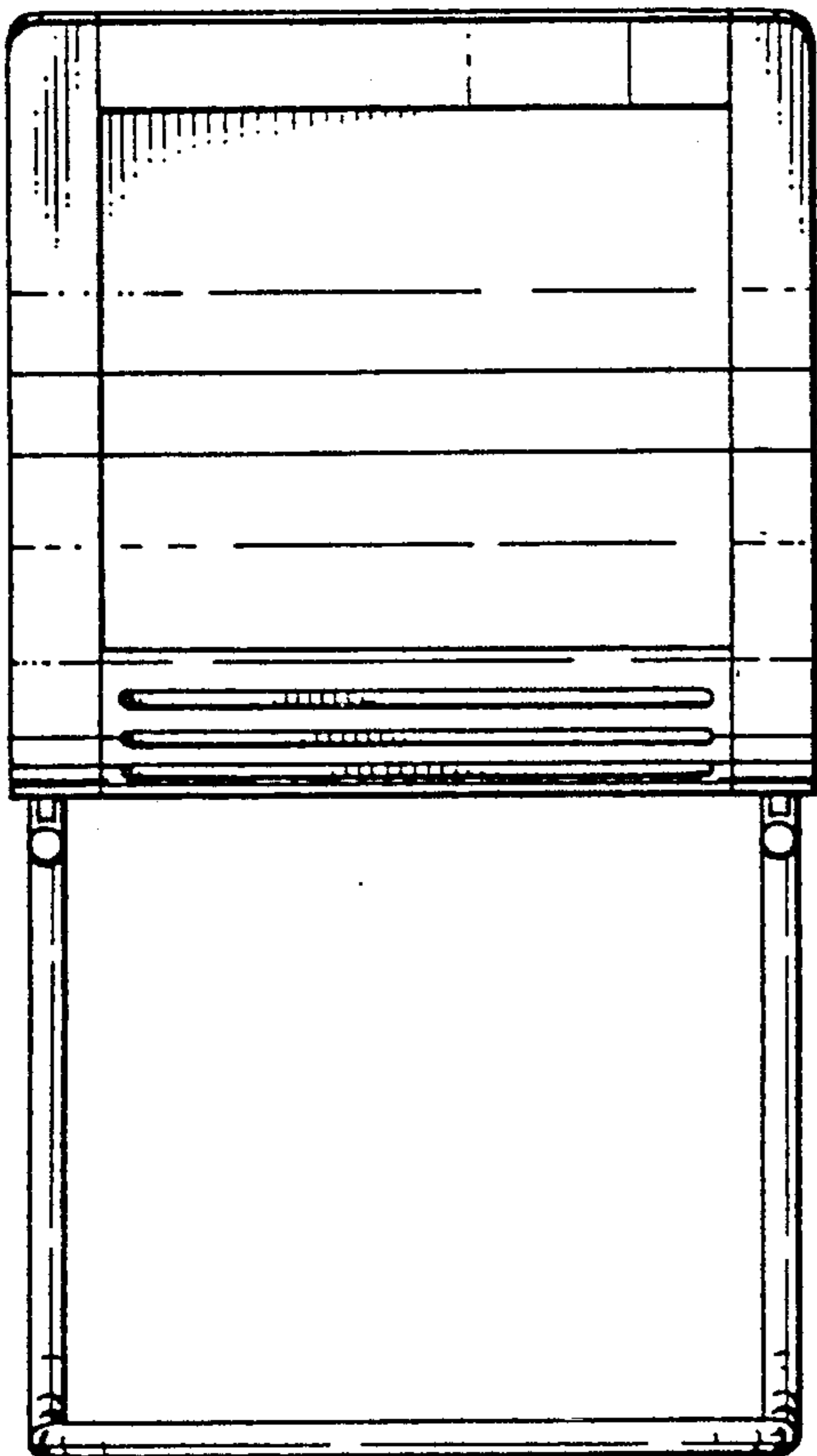


FIG. 2

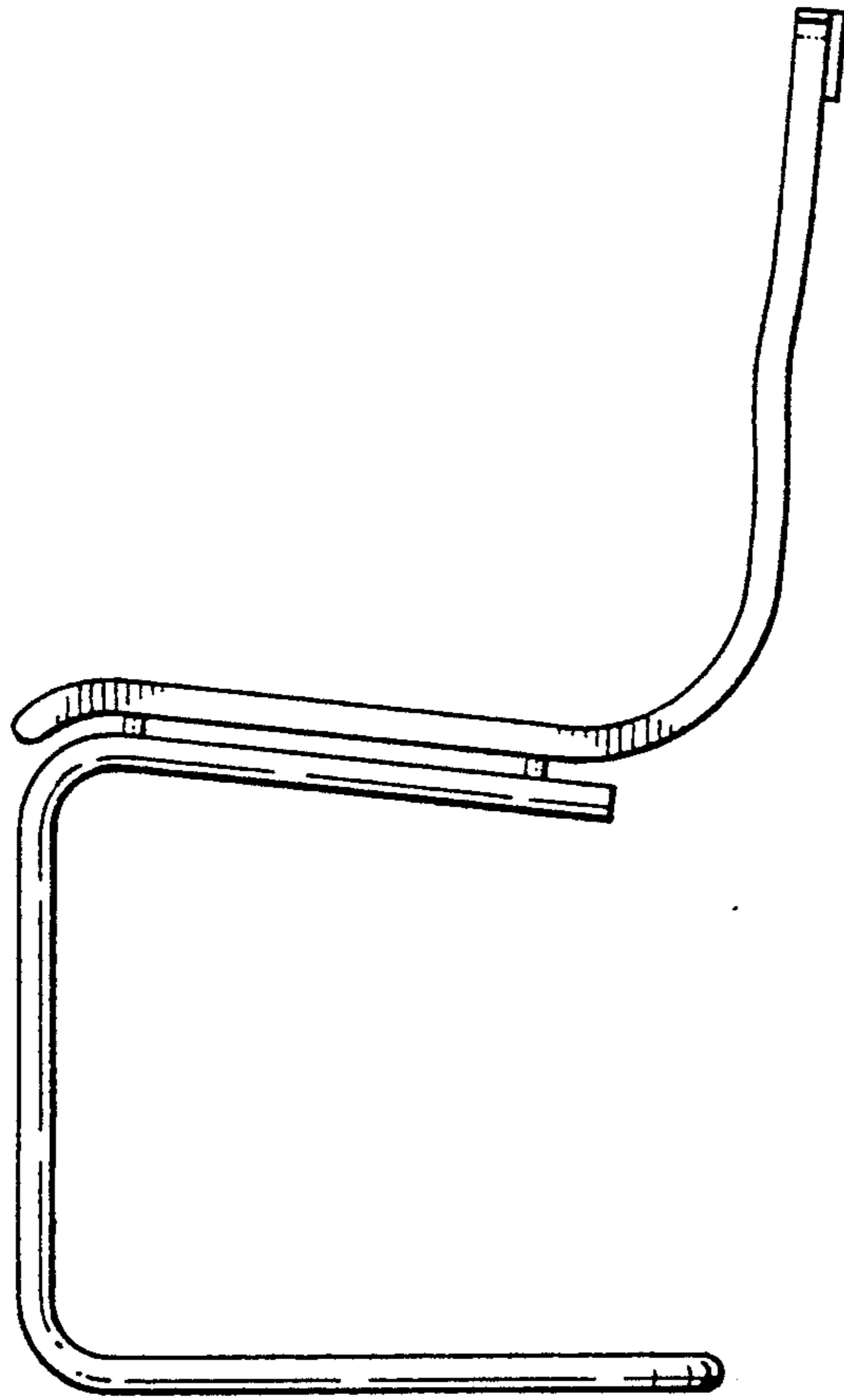


FIG. 3

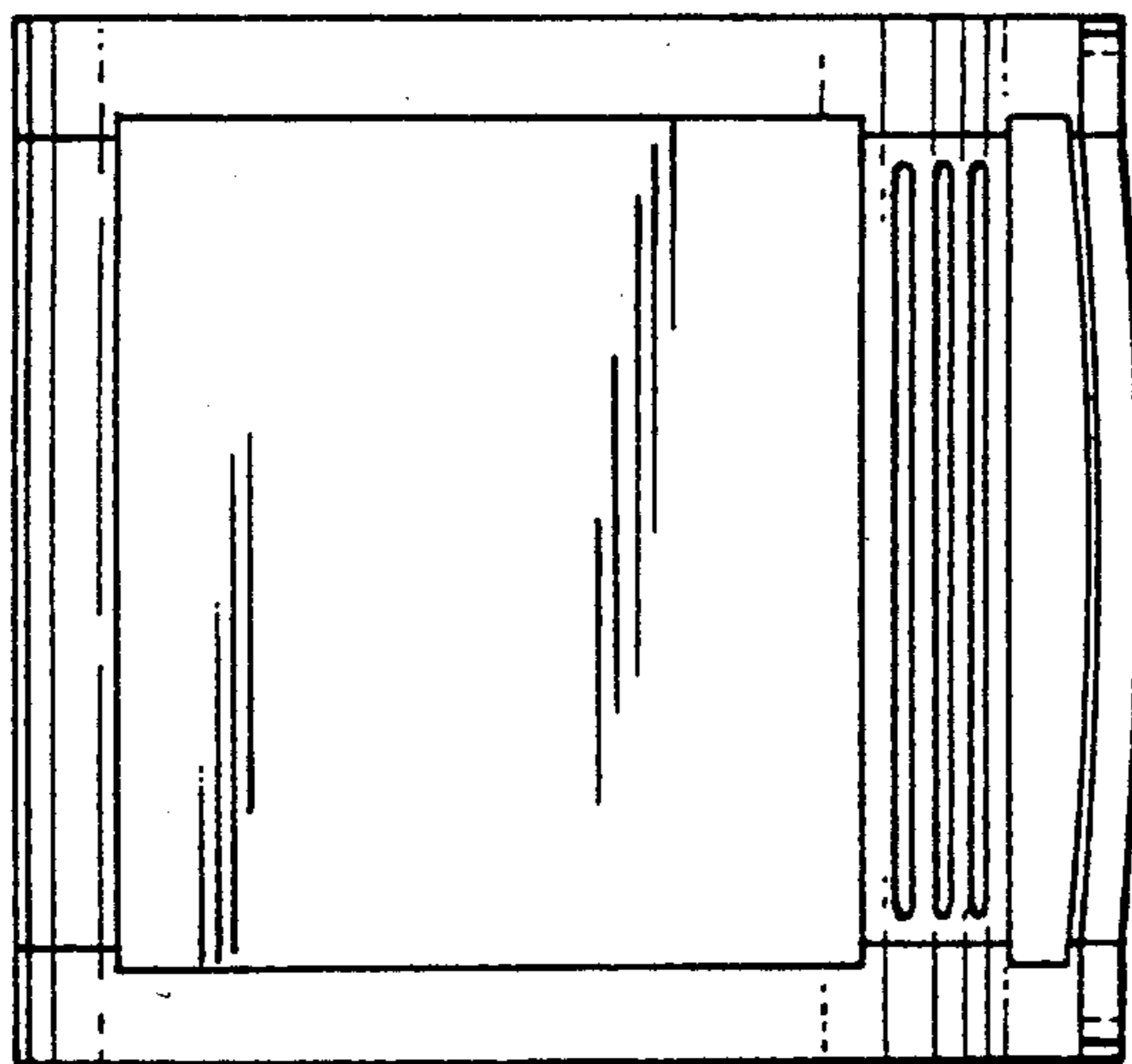


FIG. 4

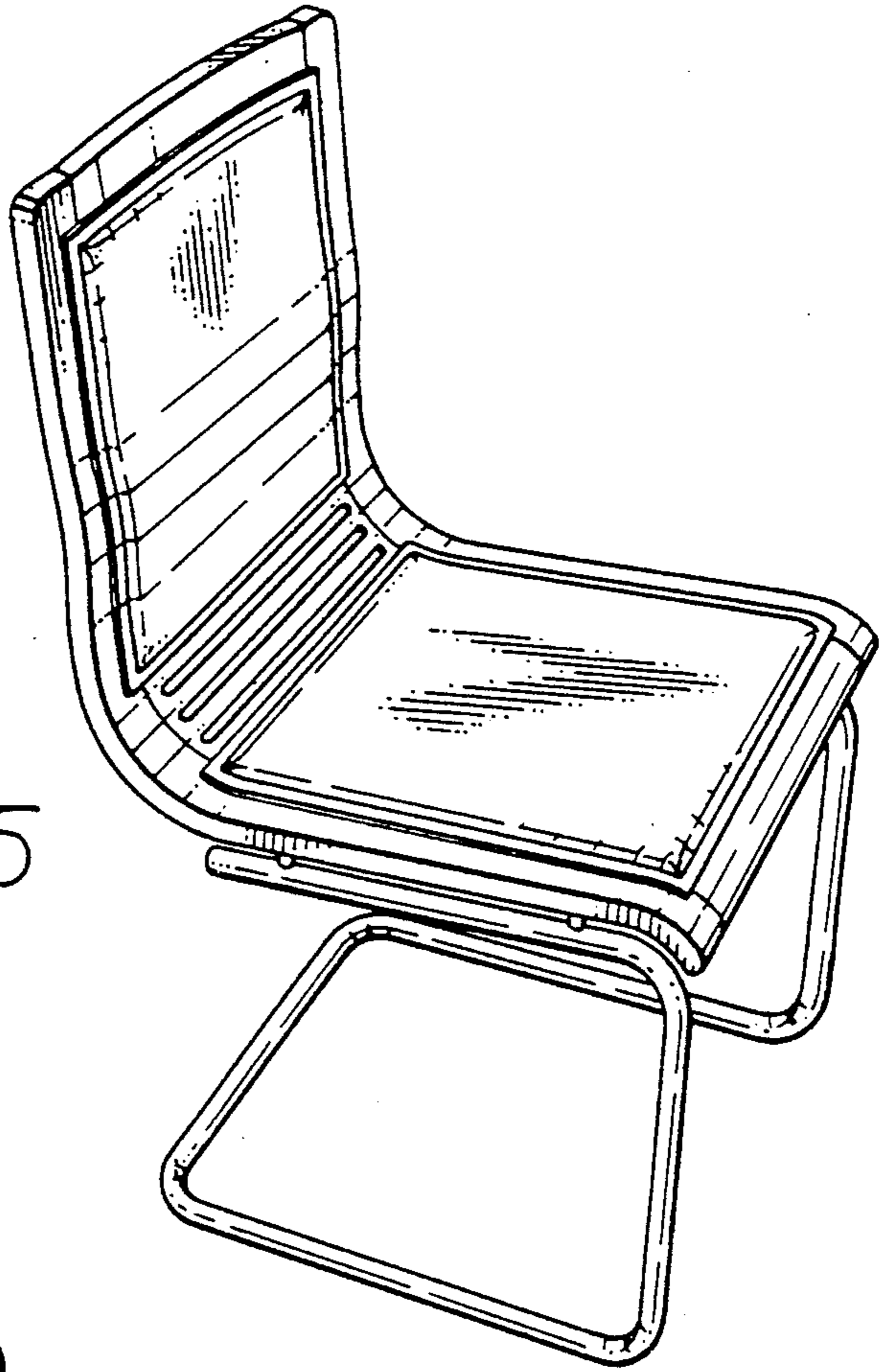


FIG. 5

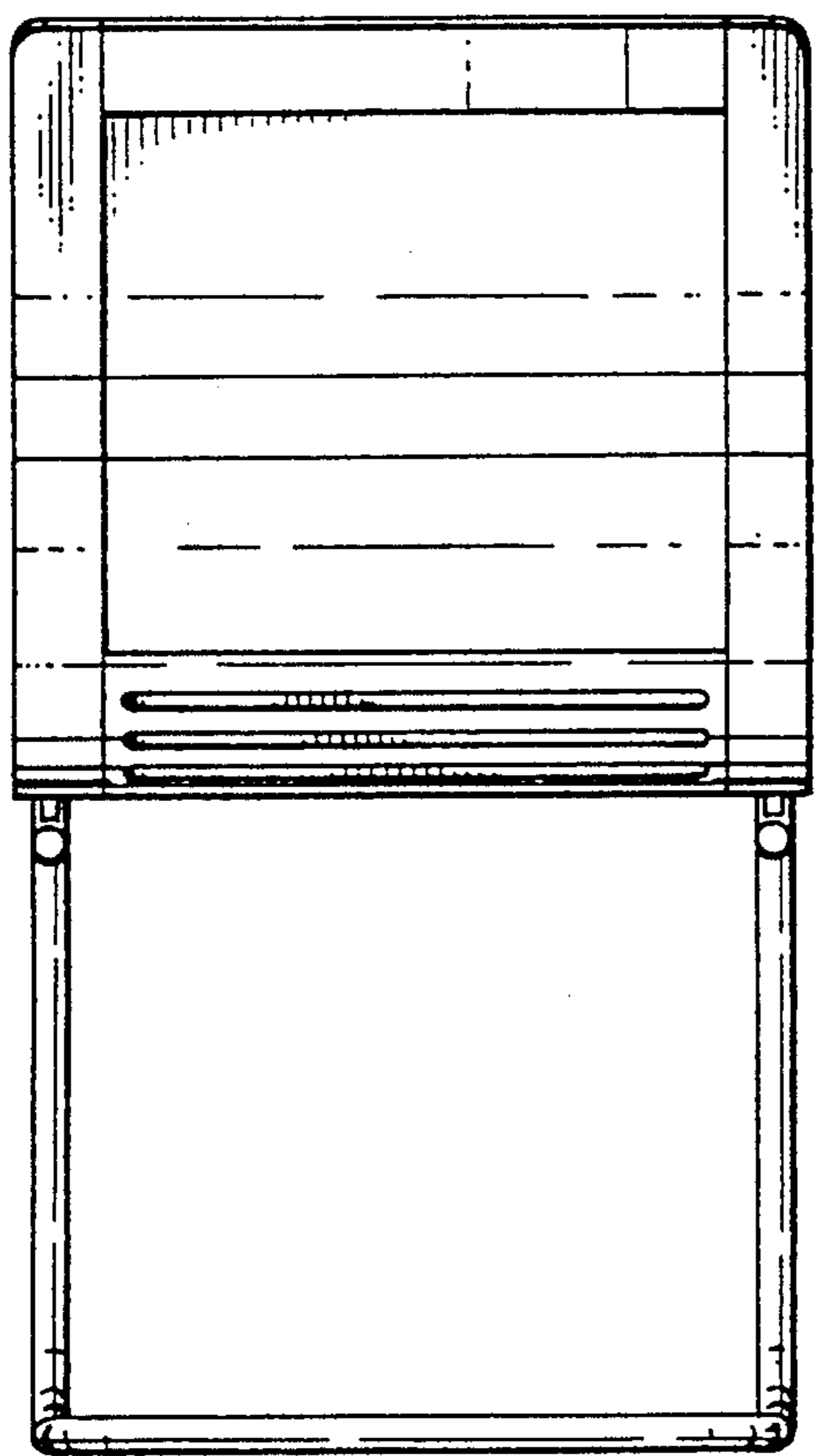


FIG. 6

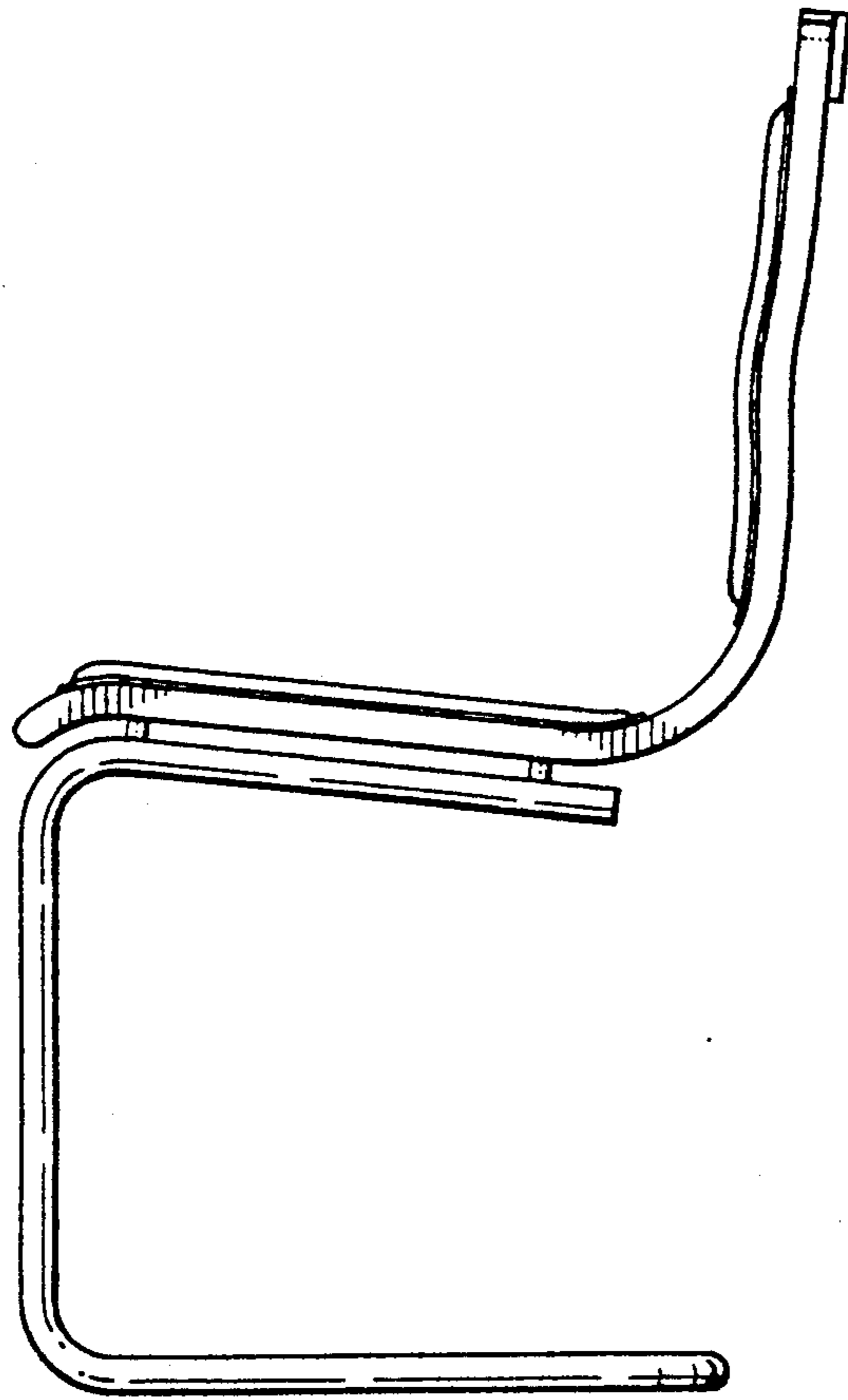


FIG. 7

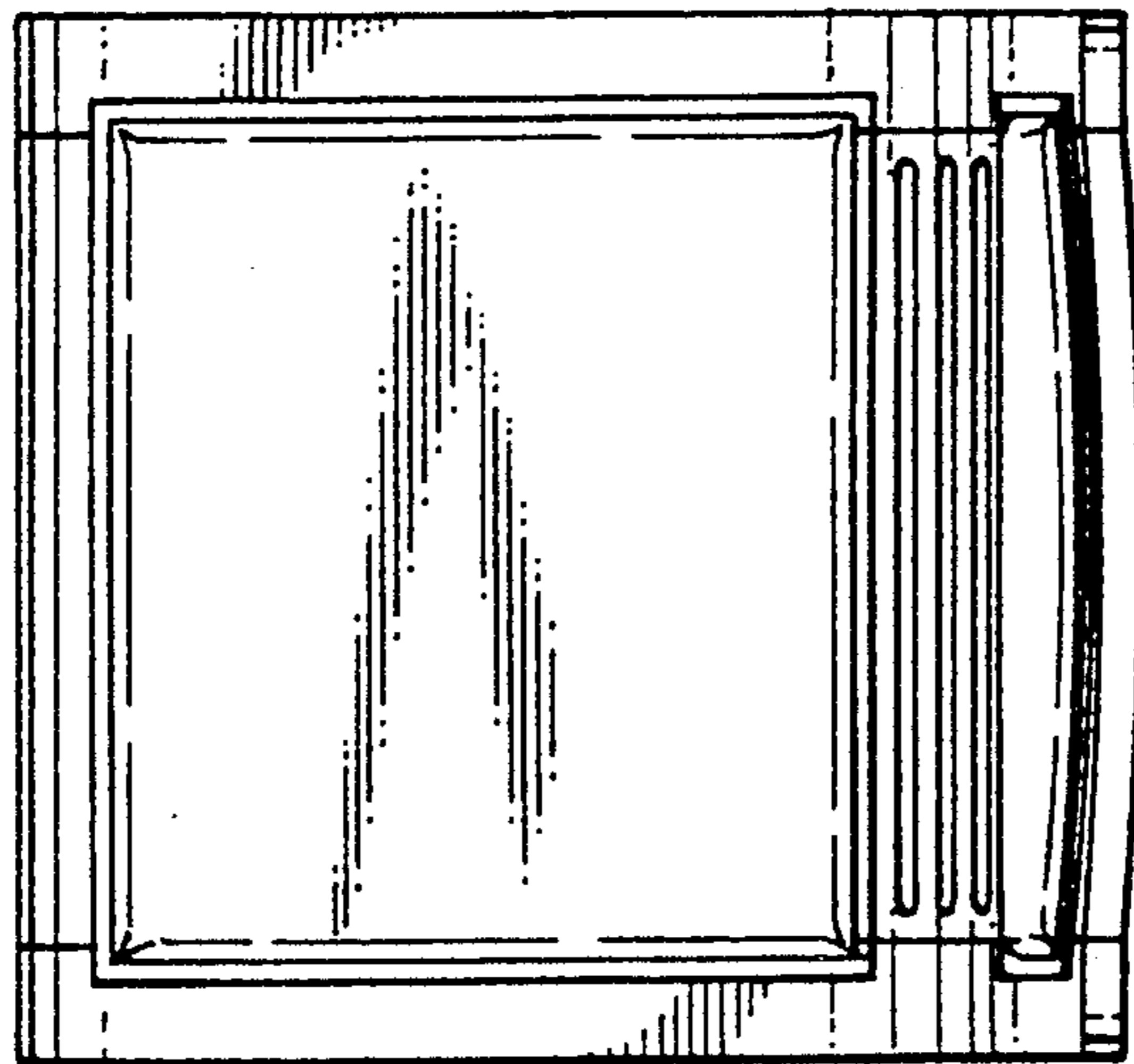


FIG. 8