



US00D32777S

United States Patent [19]

[11] Patent Number: **Des. 327,777**

Tepper

[45] Date of Patent: **** Jul. 14, 1992**

[54] **BOUNCER CHAIR**

[75] Inventor: **Sydney Tepper, Milburn, N.J.**

[73] Assignee: **Sanitoy, Inc., Fitchburg, Mass.**

[**] Term: **14 Years**

[21] Appl. No.: **438,893**

[22] Filed: **Nov. 17, 1989**

[52] U.S. Cl. **D6/333; D6/339; D6/349; D23/303; D23/304; 4/572.1; 297/250; 297/460**

[58] Field of Search **D6/333, 334, 335, 339, D6/344, 349, 356, 359, 364, 365, 366, 372, 374, 375, 379, 501, 502, 601; D23/303, 304; 4/478, 479, 571.1, 572.1, 575; 297/181, 250, 257, 438, 439, 460**

[56] **References Cited**

U.S. PATENT DOCUMENTS

D. 131,137 1/1942 Baumann, Jr. D6/349

D. 137,437 3/1944 Driscoll D6/339 X
D. 284,690 7/1986 Mandelbaum D23/303
D. 288,118 2/1987 Boucher D23/303
5,071,192 12/1991 Adler 297/460 X

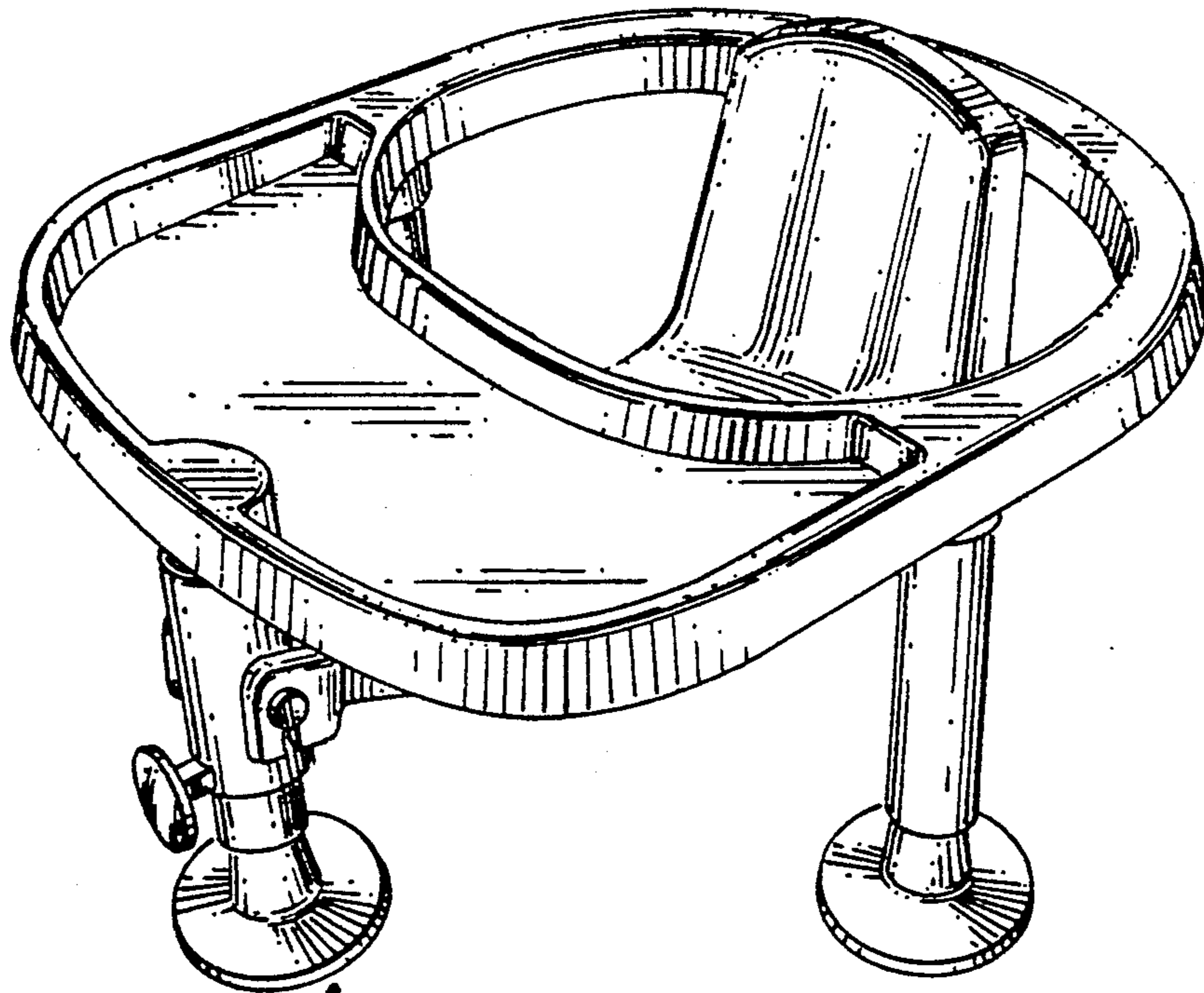
Primary Examiner—Donald P. Walsh
Assistant Examiner—Monica A. Hannon
Attorney, Agent, or Firm—Davis, Bujold & Streck

[57] CLAIM

The ornamental design for a bouncer chair, as shown and described.

DESCRIPTION

FIG. 1 is a front perspective view of a bouncer chair showing my new design;
FIG. 2 is a right side elevational view, the left side being a mirror image thereof;
FIG. 3 is a top plan view thereof;
FIG. 4 is a front elevational view thereof;
FIG. 5 is a bottom plan view thereof; and,
FIG. 6 is a rear elevational view thereof.



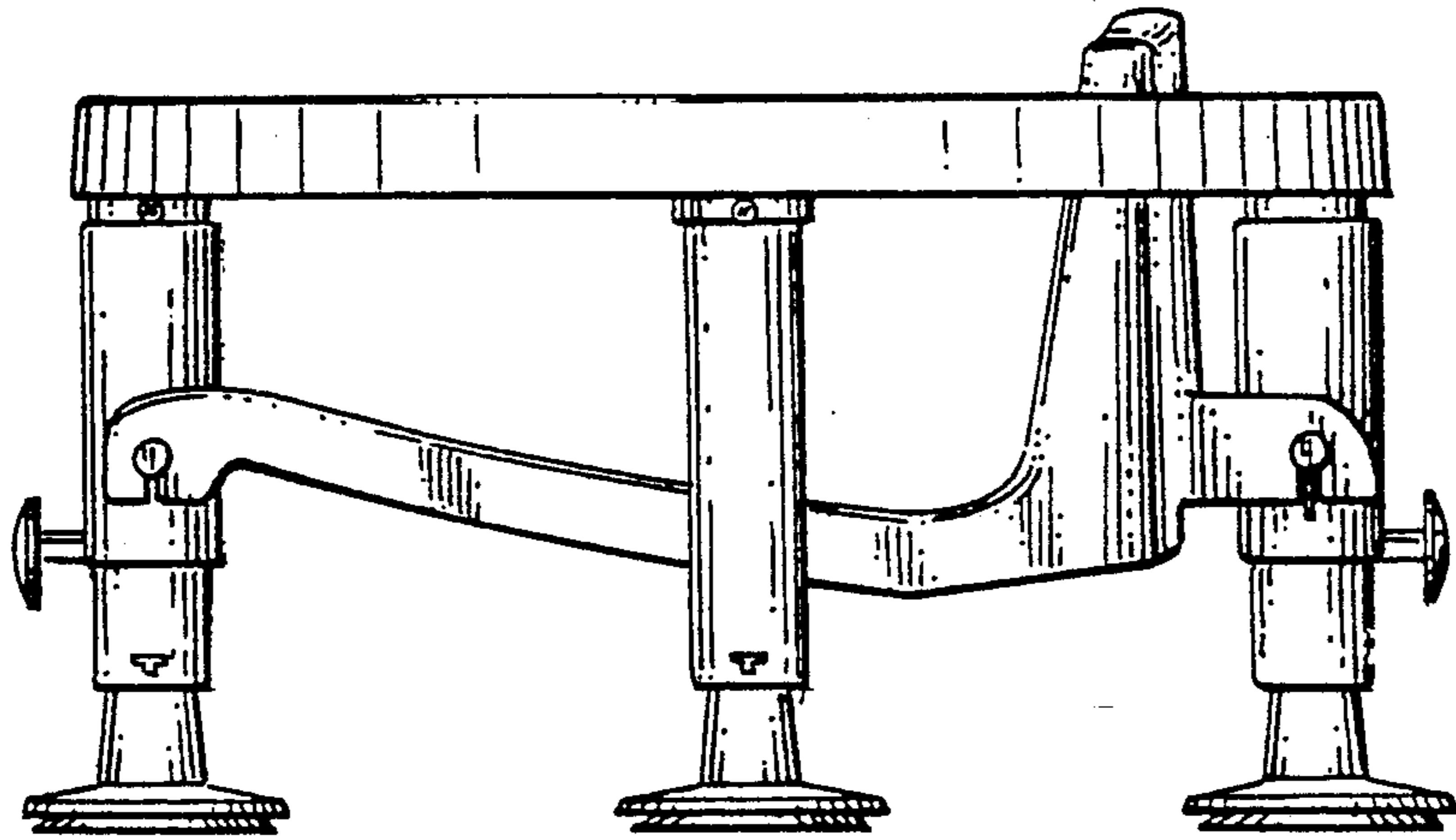


FIG. 2

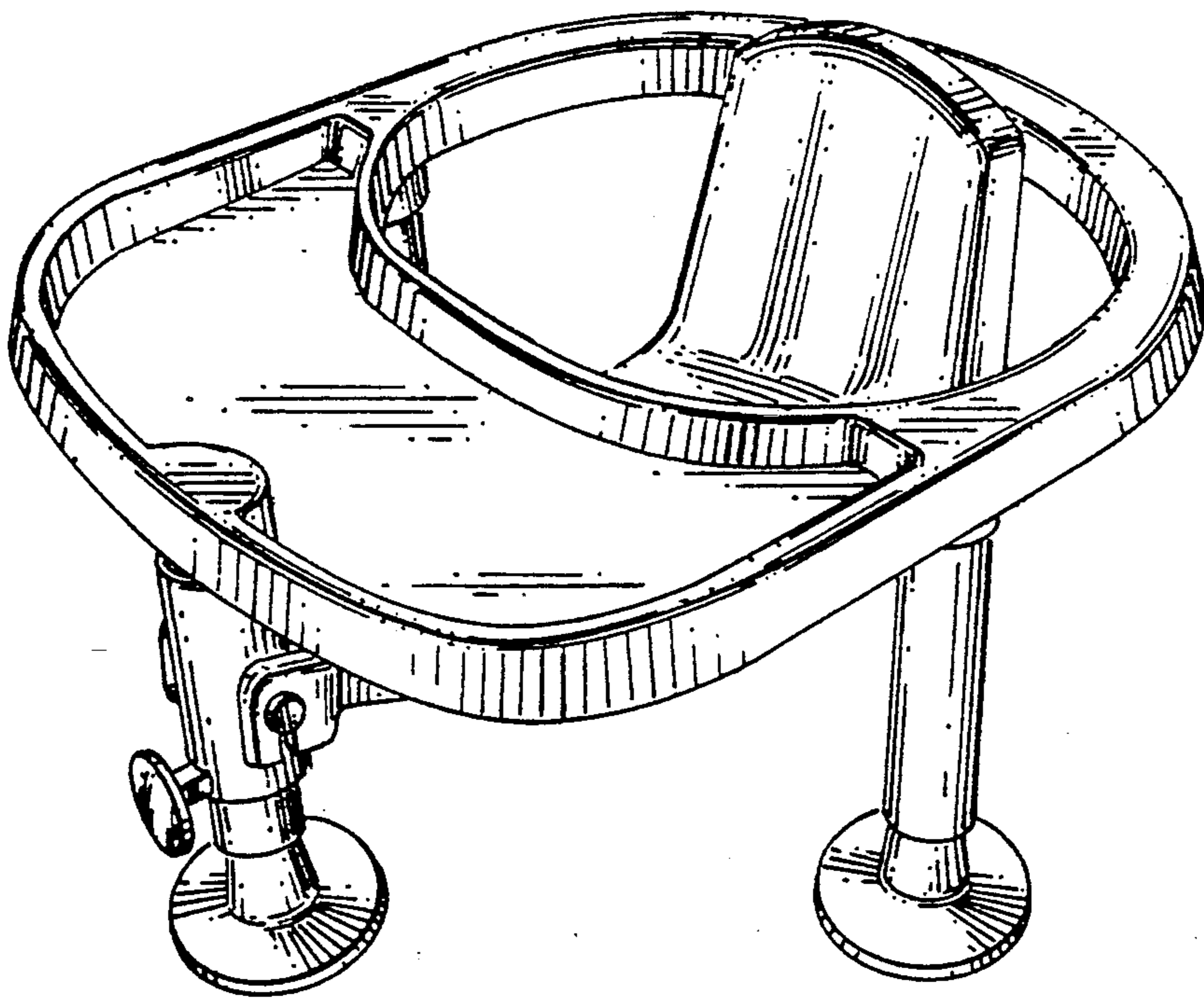


FIG. 1

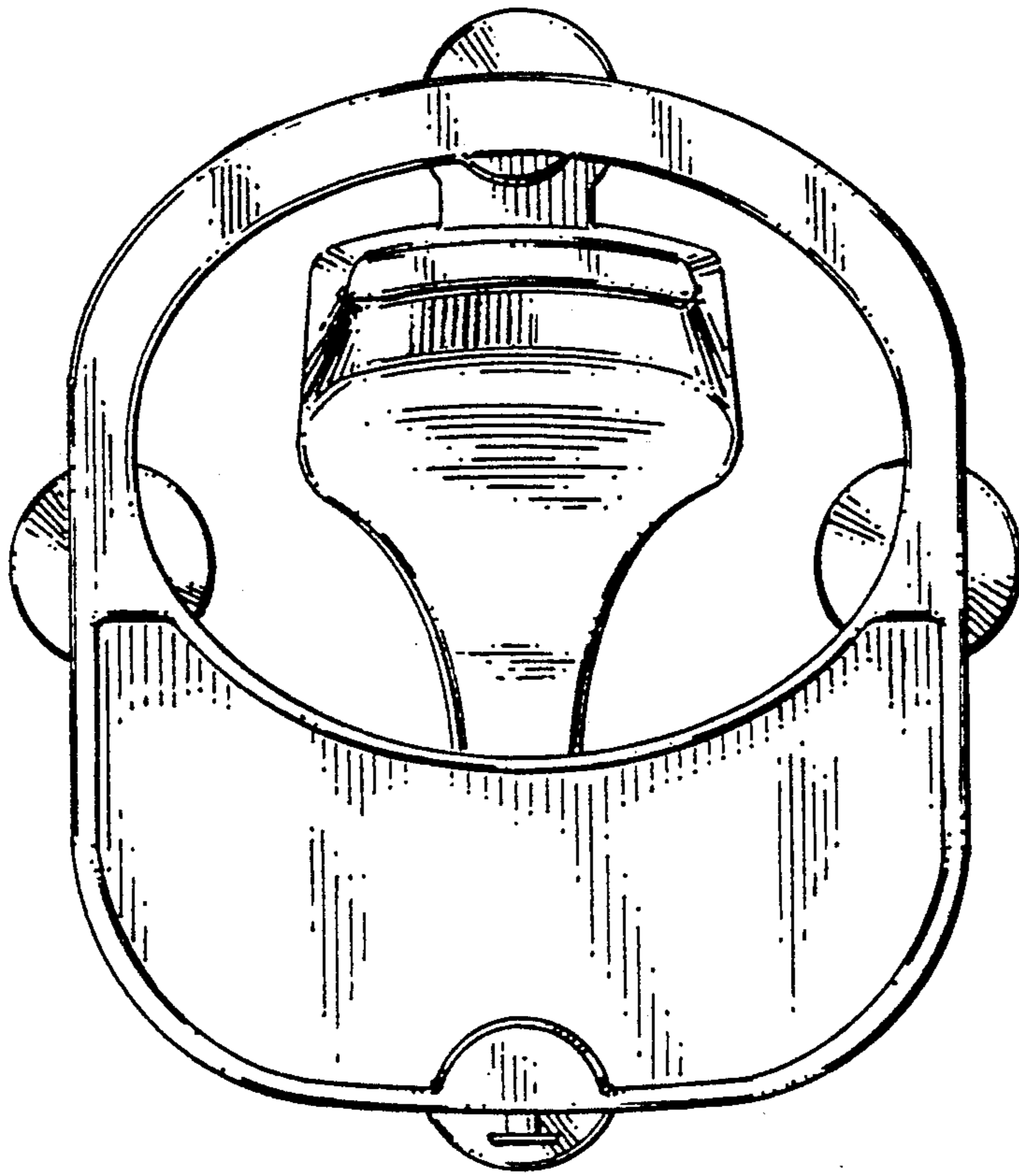


FIG. 3

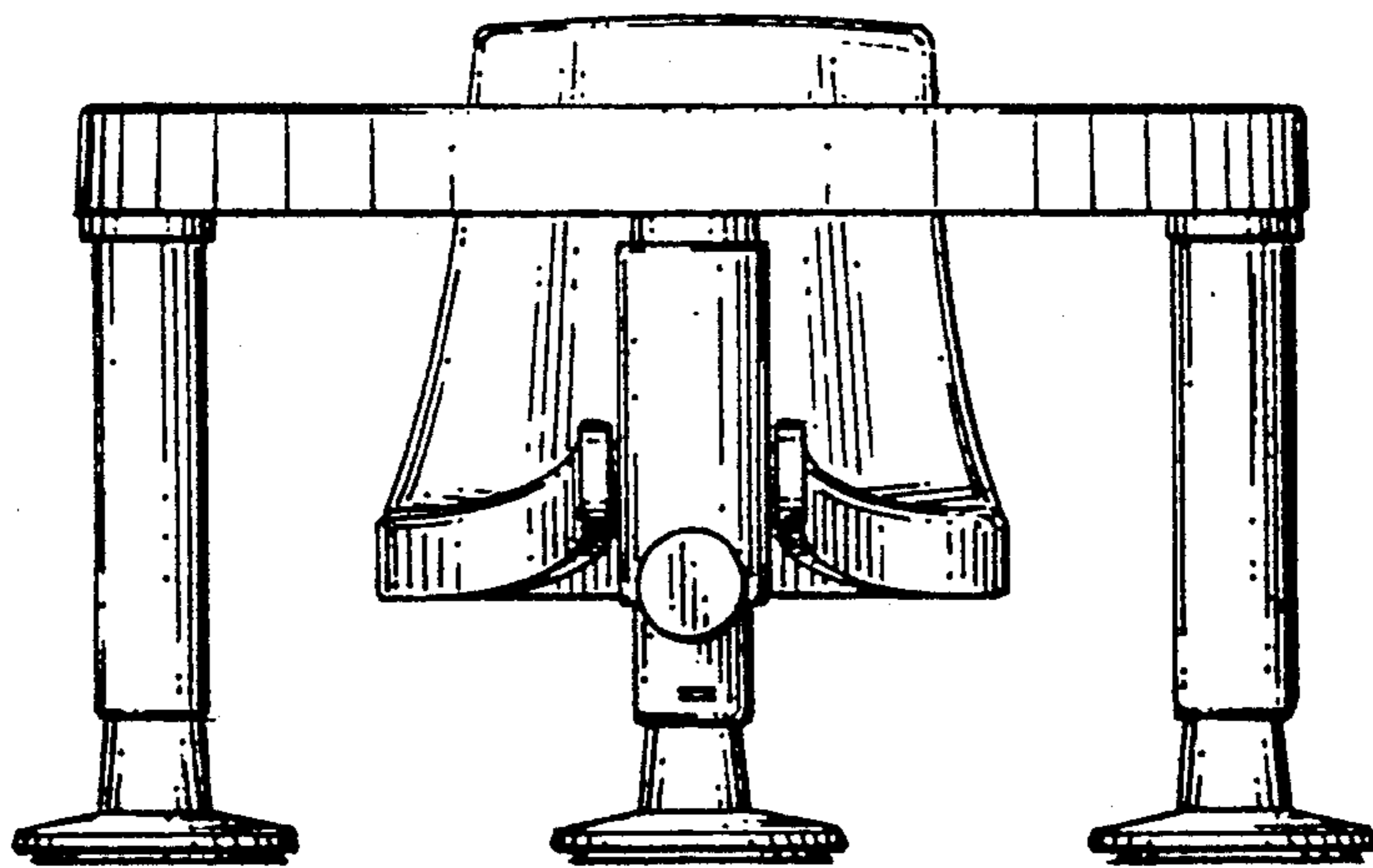


FIG. 4

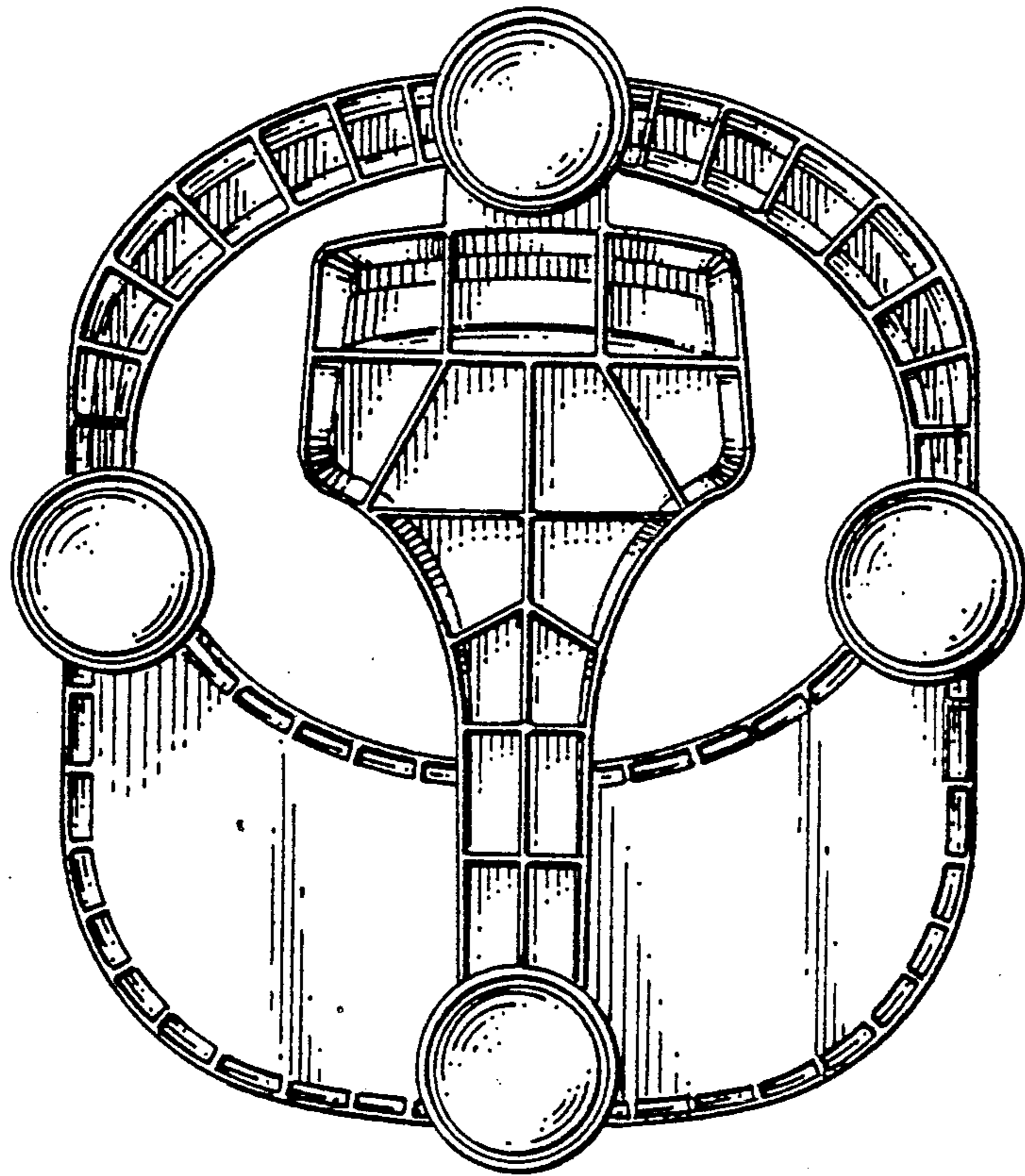


FIG. 5

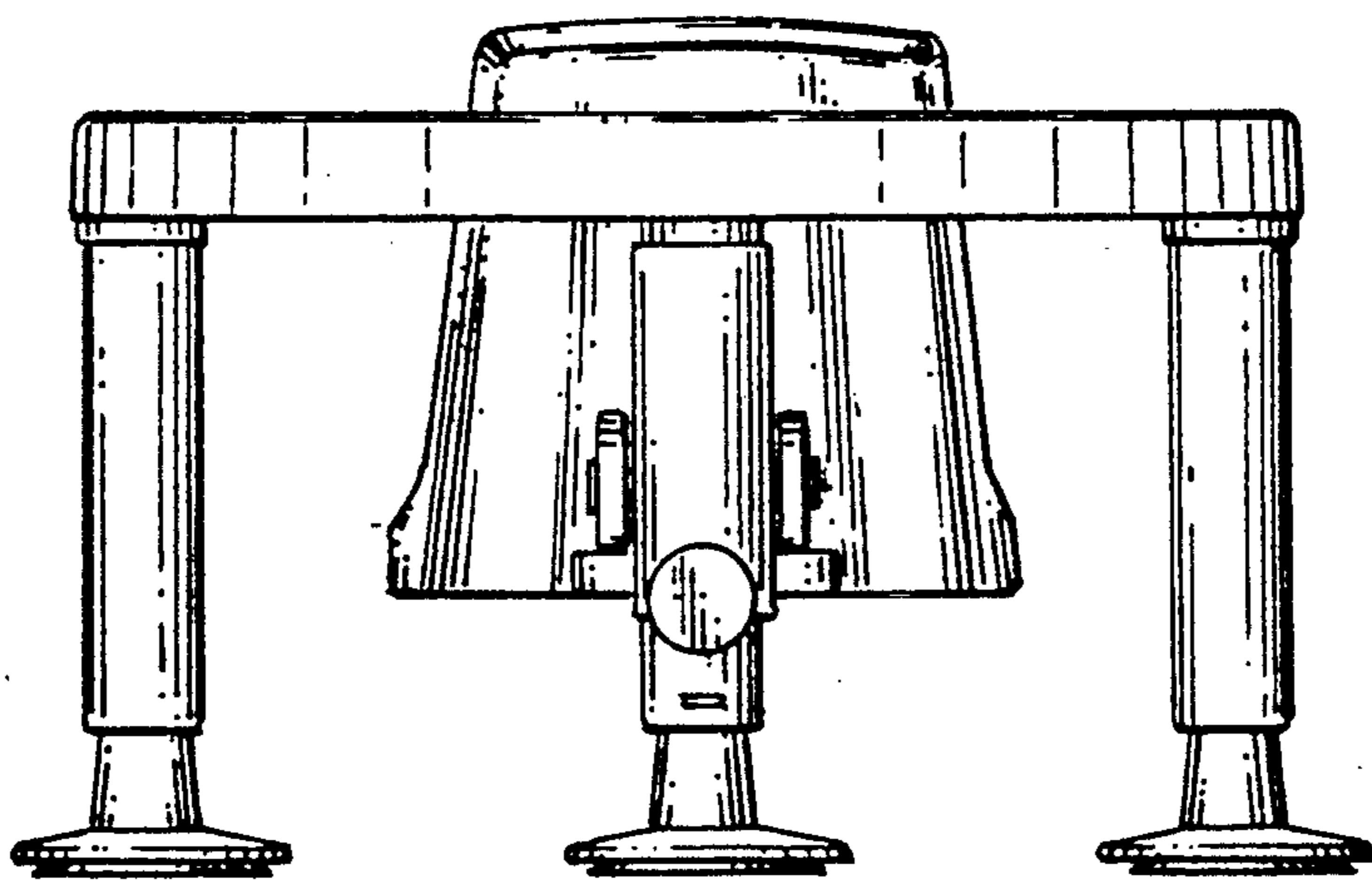


FIG. 6