



US00D327767S

United States Patent [19]

Gilbert, Jr.

[11] Patent Number: **Des. 327,767**

[45] Date of Patent: **** Jul. 7, 1992**

[54] **PARCEL POST CONTAINER**

2,604,260 7/1952 Brown 232/19

[76] Inventor: **Arthur Gilbert, Jr.**, 133 E. Harris St.,
Dublin, Tex. 76446

[**] Term: **14 Years**

[21] Appl. No.: **527,163**

[22] Filed: **May 22, 1990**

[52] U.S. Cl. **D99/31; D6/397;**
D6/440; D6/443

[58] Field of Search **D99/29-33,**
D99/99; D6/440, 443, 397; 232/19-23, 27-31,
43.3, 45, 46, 51, 1 A

[56] **References Cited**

U.S. PATENT DOCUMENTS

D. 5,271	9/1871	Wiley	D6/443
D. 59,862	11/1921	Paletou	D6/443
D. 190,939	7/1961	Herbian	D99/32
D. 259,316	5/1981	Offredi	D6/436
D. 316,321	4/1991	Lutz et al.	D99/33
879,402	2/1908	Myrhow	232/20 X
2,507,785	5/1950	Hartman	232/19

OTHER PUBLICATIONS

Home Magazine, 3-1986, p. 14, top right of the page,
shown by arrow.

Primary Examiner—Bernard Ansher
Assistant Examiner—Prabhakar Deshmukh

[57] CLAIM

The ornamental design for parcel post container, as
shown and described.

DESCRIPTION

FIG. 1 is a front elevational view of a parcel post con-
tainer showing my new design;
FIG. 2 is a rear elevational view thereof;
FIG. 3 is a right side elevational view thereof;
FIG. 4 is a left side elevational view thereof;
FIG. 5 is a top plan view thereof;
FIG. 6 is a bottom plan view thereof;
FIG. 7 is a front perspective view thereof; and,
FIG. 8 is a rear perspective view thereof; shown par-
tially in open position.

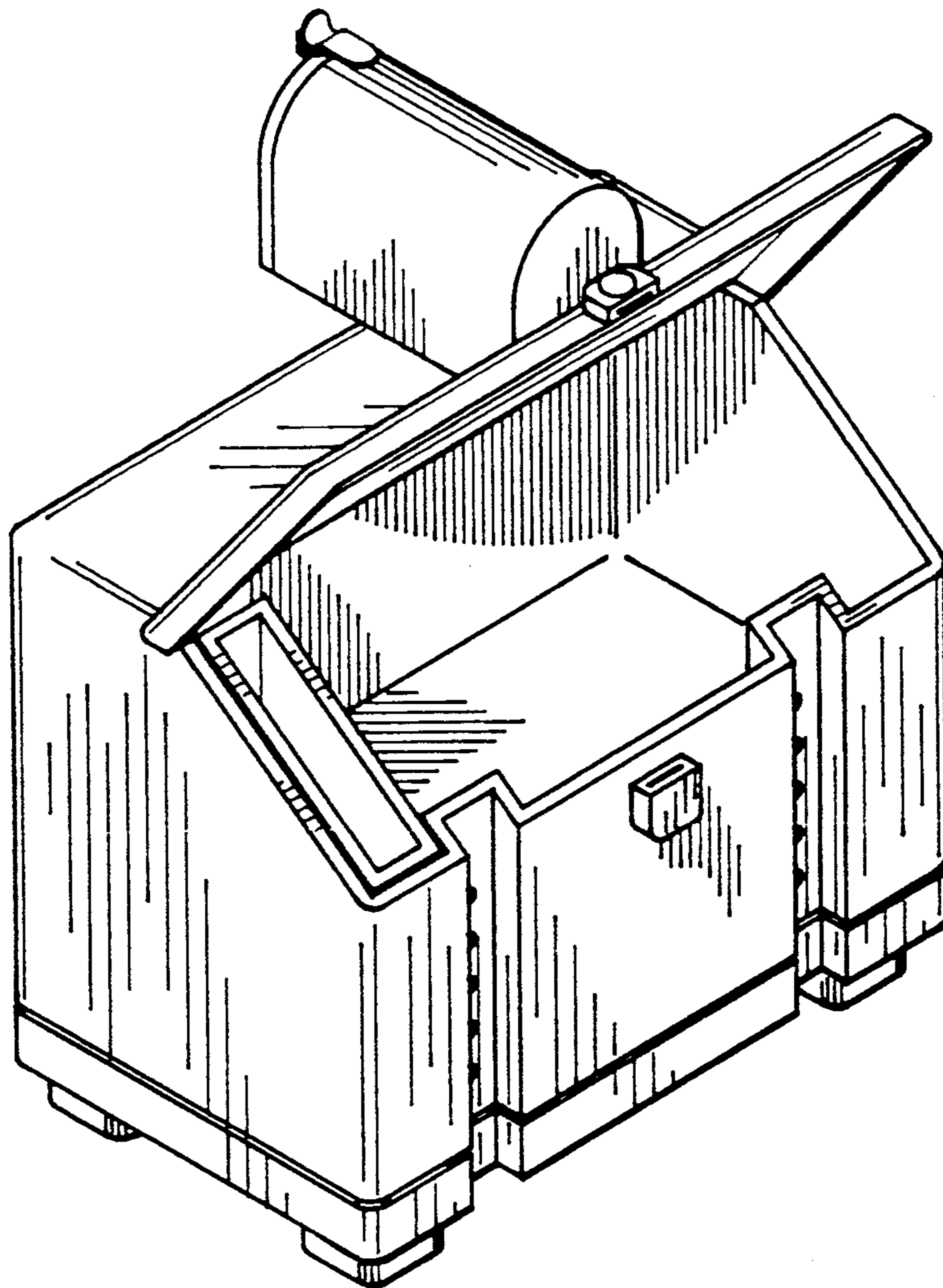


Fig. 1

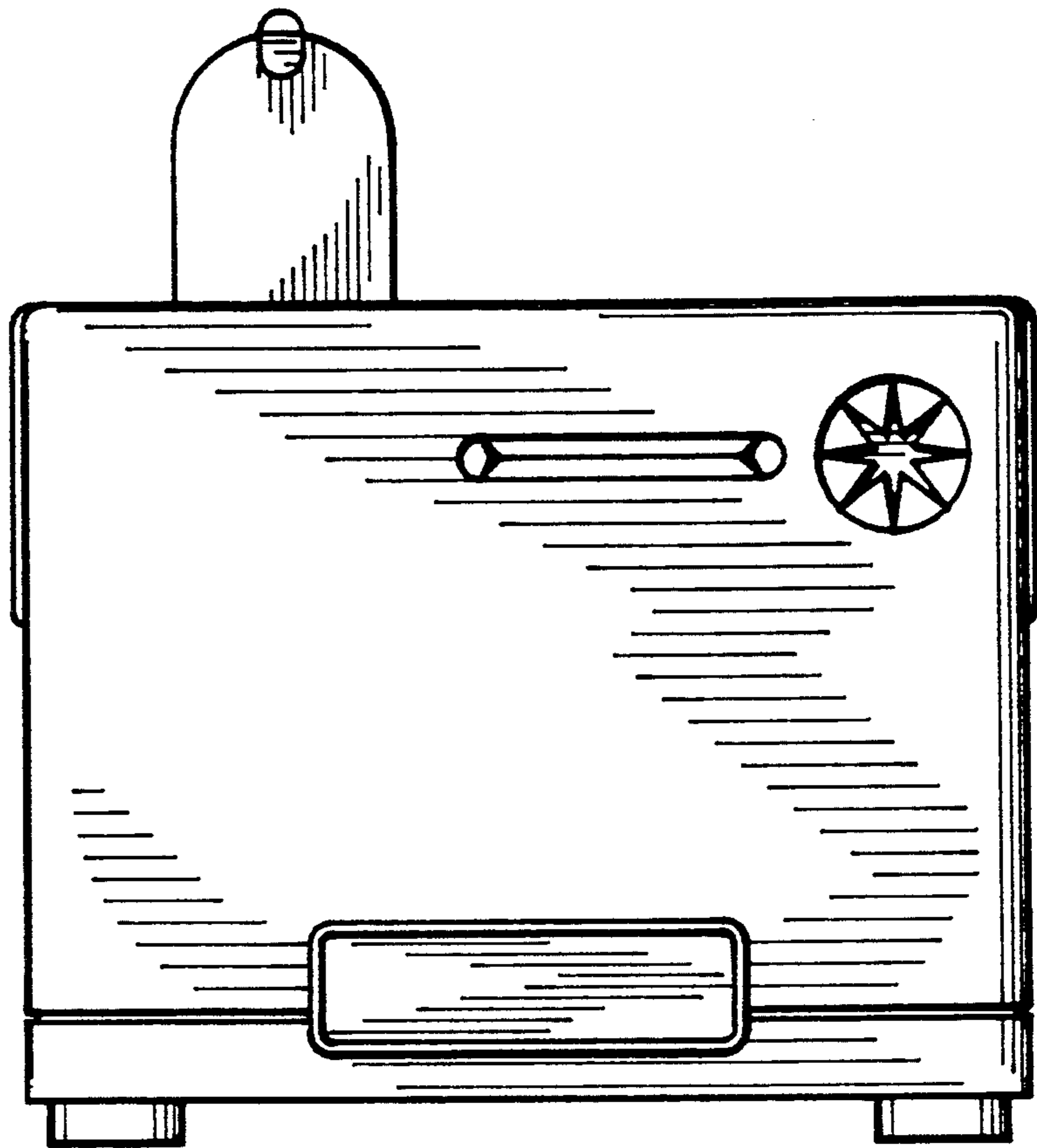
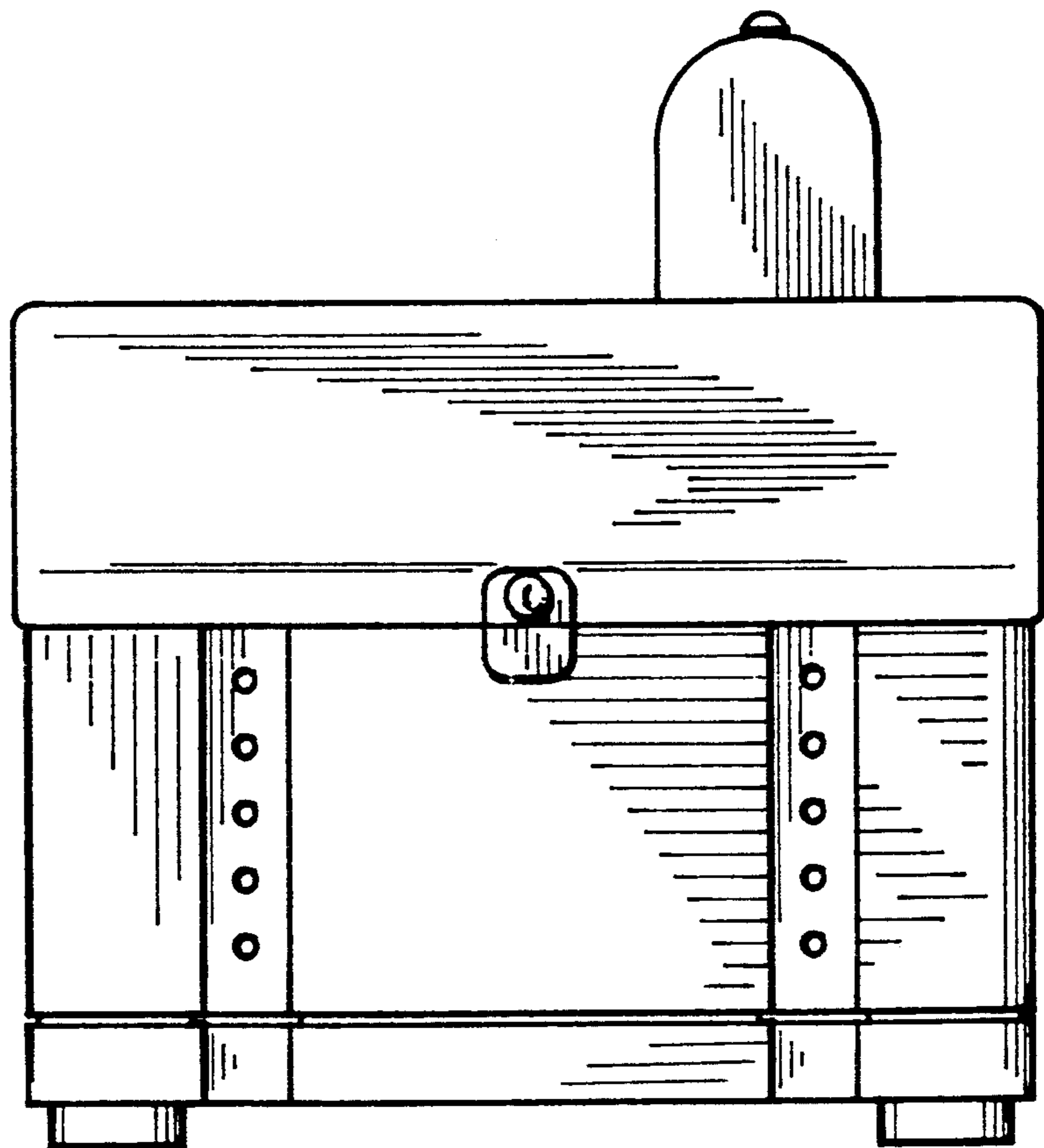


Fig. 2



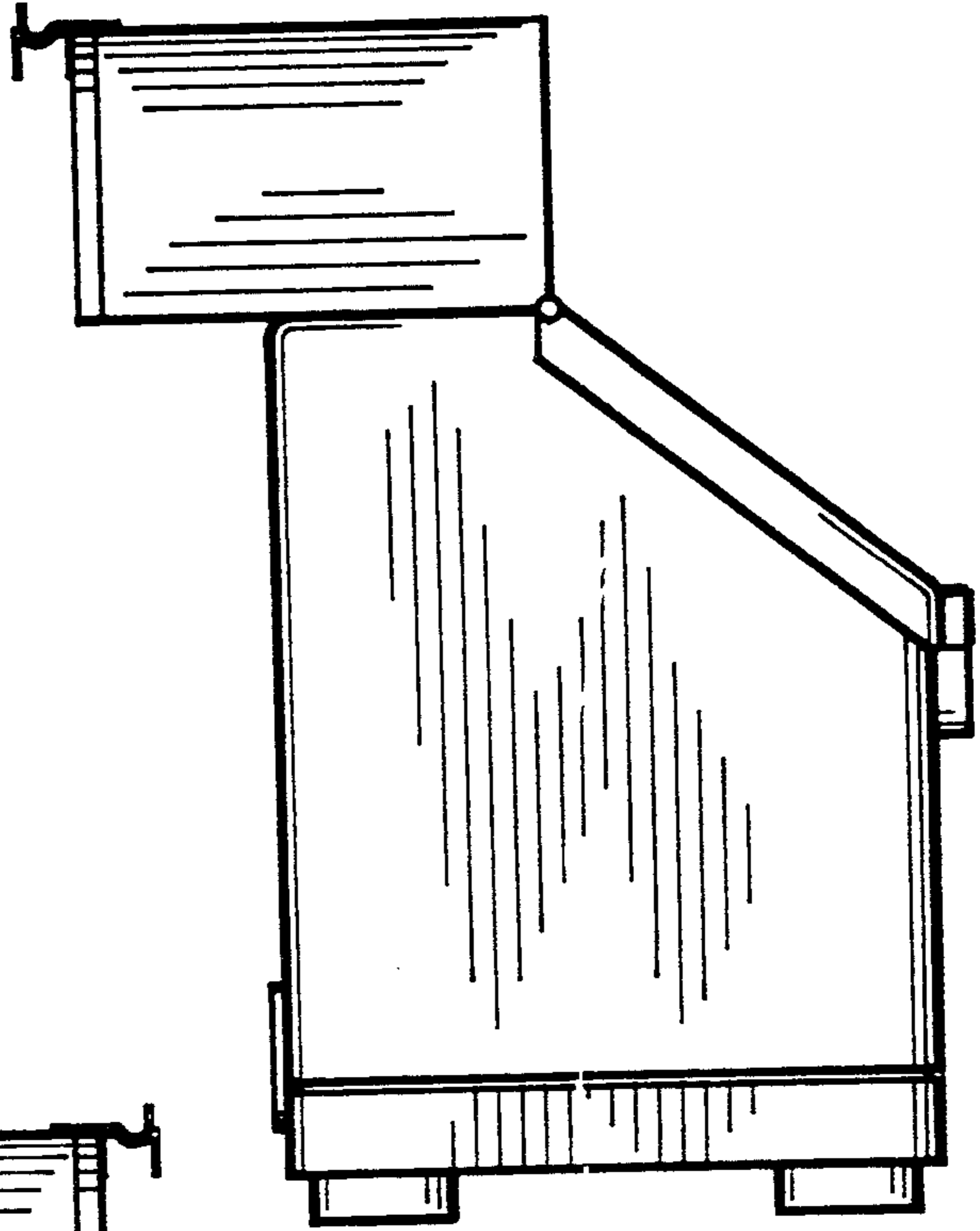


Fig. 3

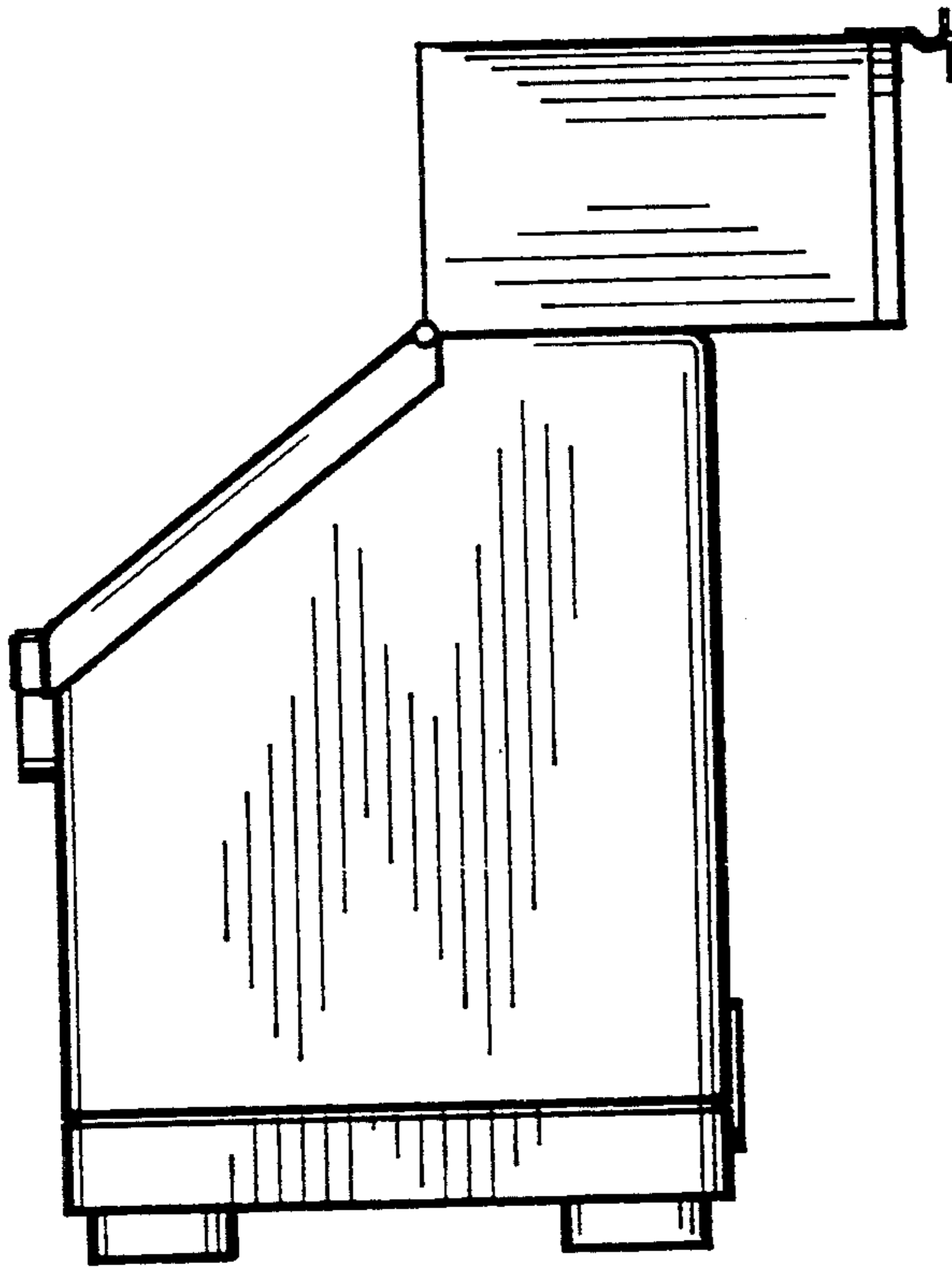


Fig. 4

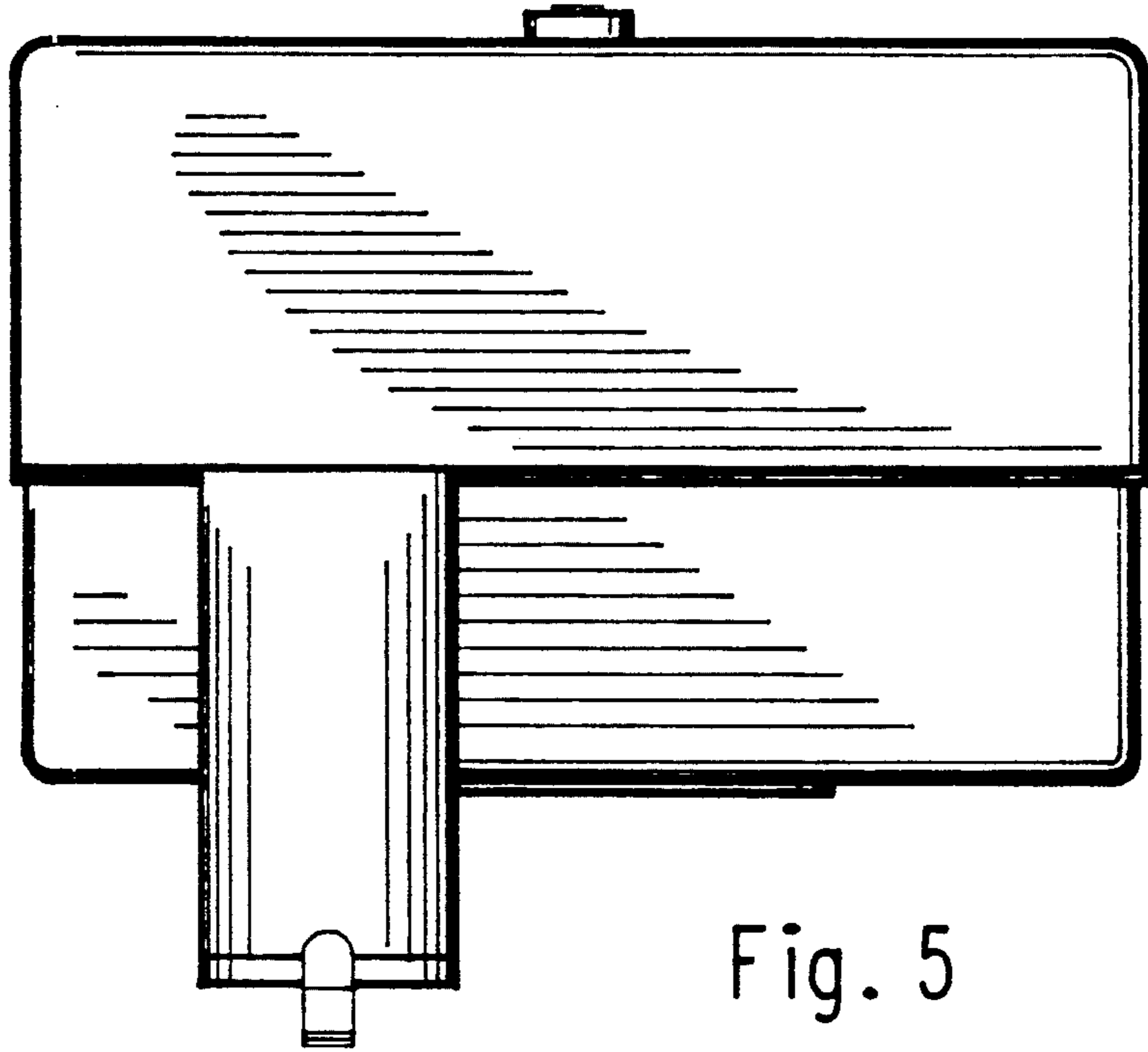


Fig. 5

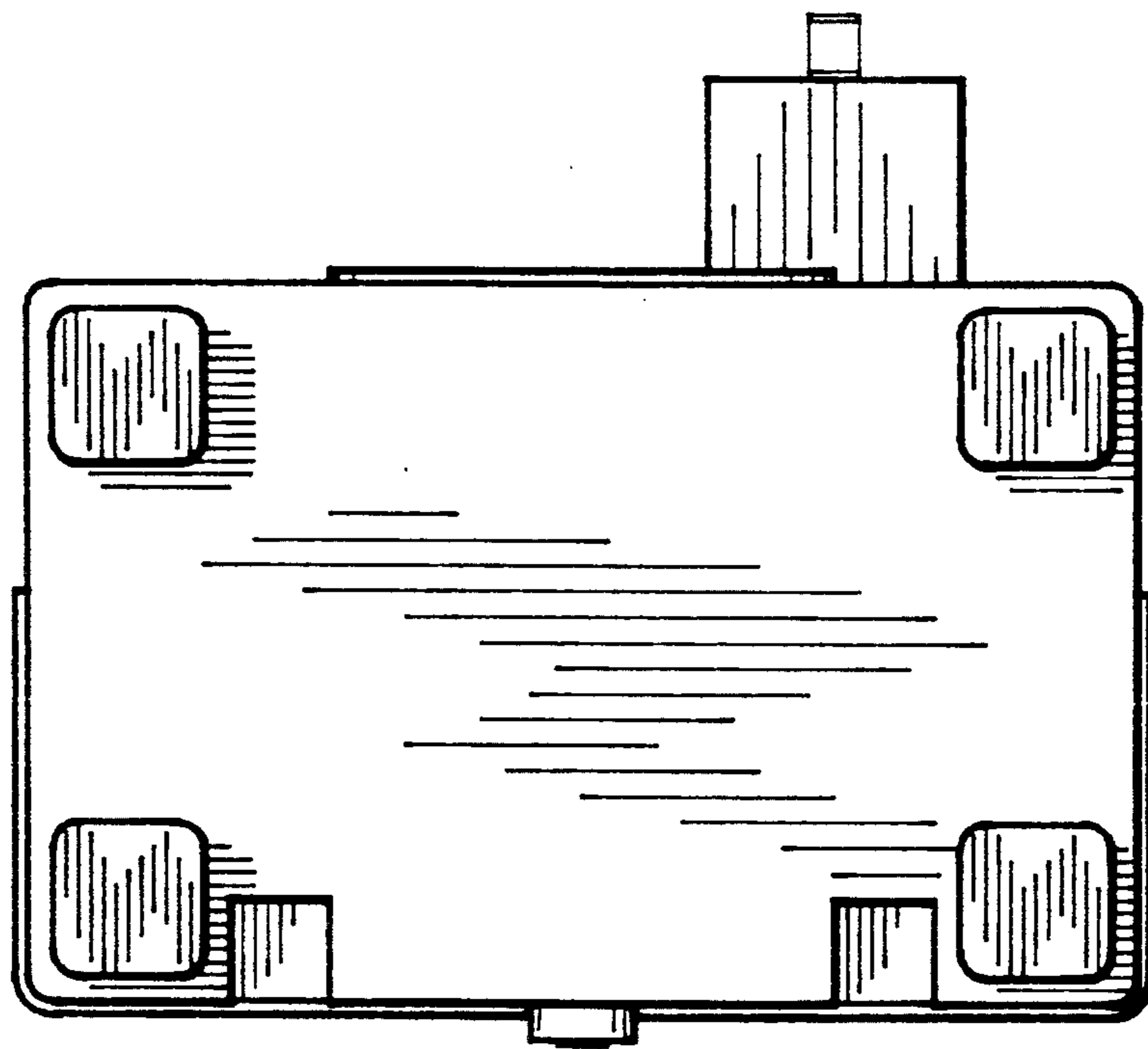


Fig. 6

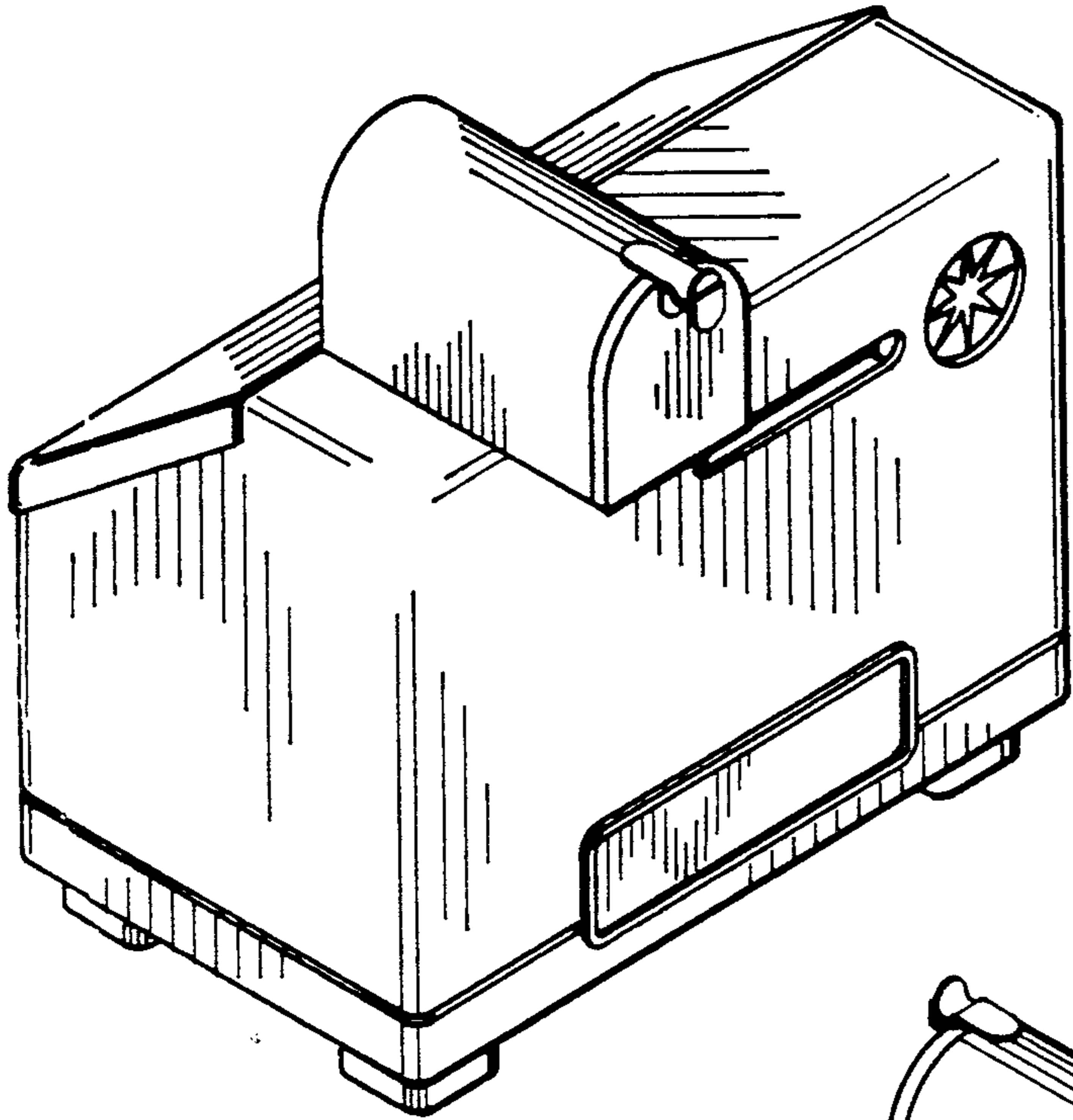


Fig. 7

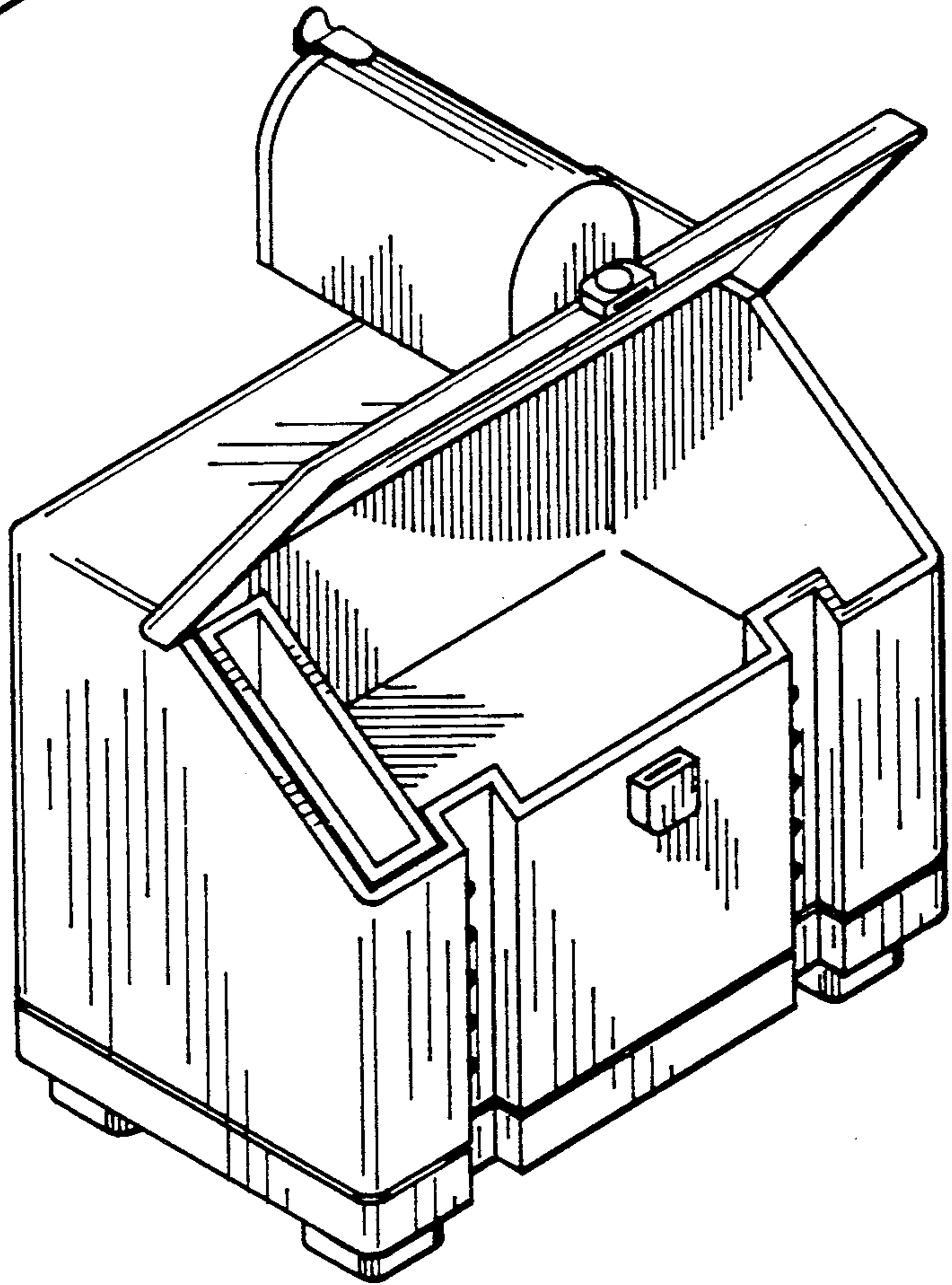


Fig. 8