



US00D327765S

# United States Patent [19]

[11] Patent Number: **Des. 327,765**

Roberts et al.

[45] Date of Patent: **\*\* Jul. 7, 1992**

## [54] BABY BIER AND CREMATION URN STAND

### OTHER PUBLICATIONS

[76] Inventors: **Ricky J. Roberts**, 168 E. Park St., Argenta, Ill. 62501; **Harold L. Downey**, R.R., Oakley, Ill. 62552

Advertisement: "Roberts & Downey," pp. 1, 3, 5, 6.  
Advertisement: "Church & Chapel Metal Arts, Inc." pp. 2, 4, 6, 8, 10, 12 (Jun. 1985).

[\*\*] Term: **14 Years**

*Primary Examiner*—Donald P. Walsh  
*Assistant Examiner*—J. H. Musgrove  
*Attorney, Agent, or Firm*—Ferrill, Logan, Johns & Blasko

[21] Appl. No.: **319,072**

[22] Filed: **Mar. 6, 1989**

### [57] CLAIM

[52] U.S. Cl. .... **D99/9**

The ornamental design for a baby bier and cremation urn stand, as shown and described.

[58] Field of Search ..... **D99/9-13;**  
27/27, 28

### DESCRIPTION

### [56] References Cited

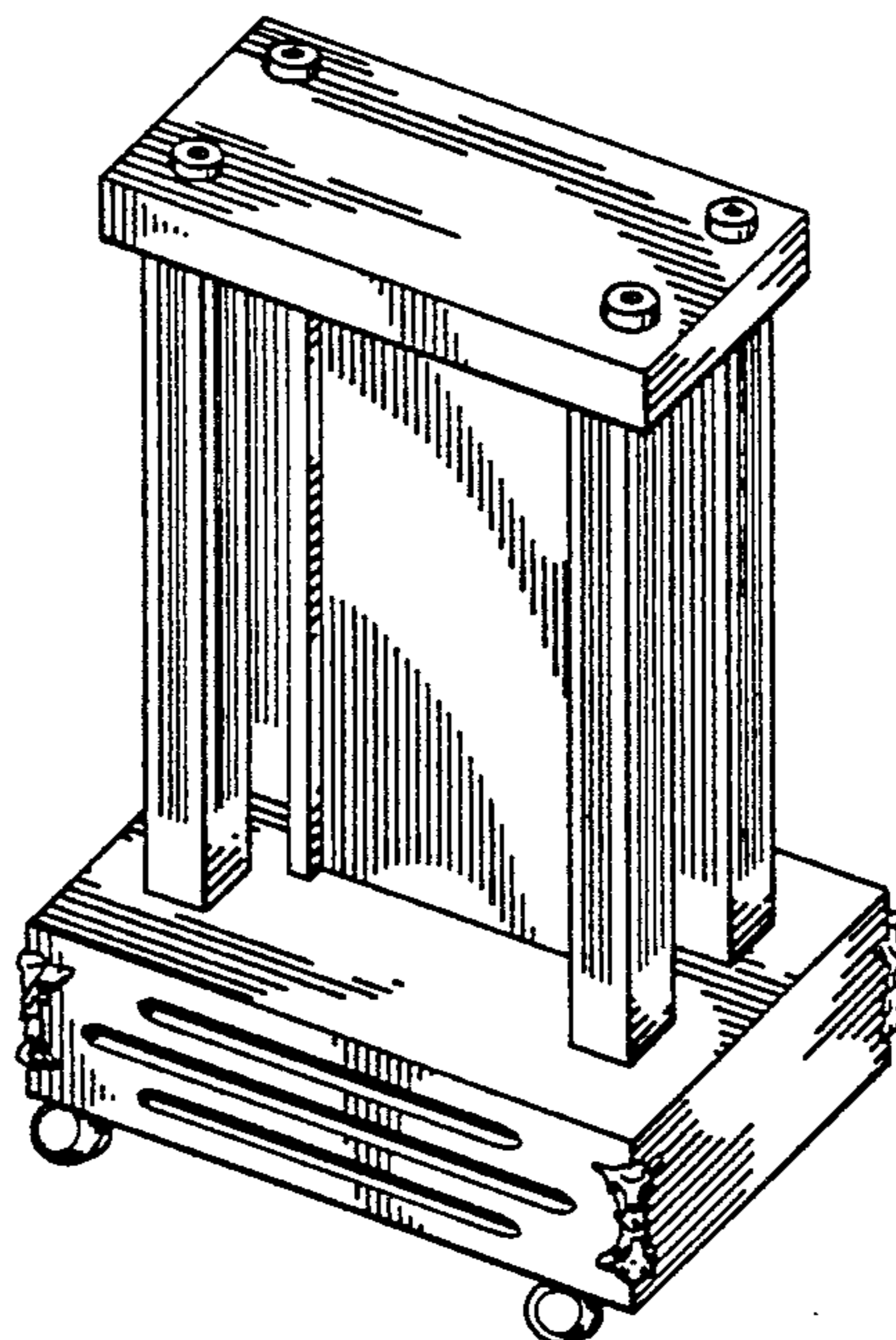
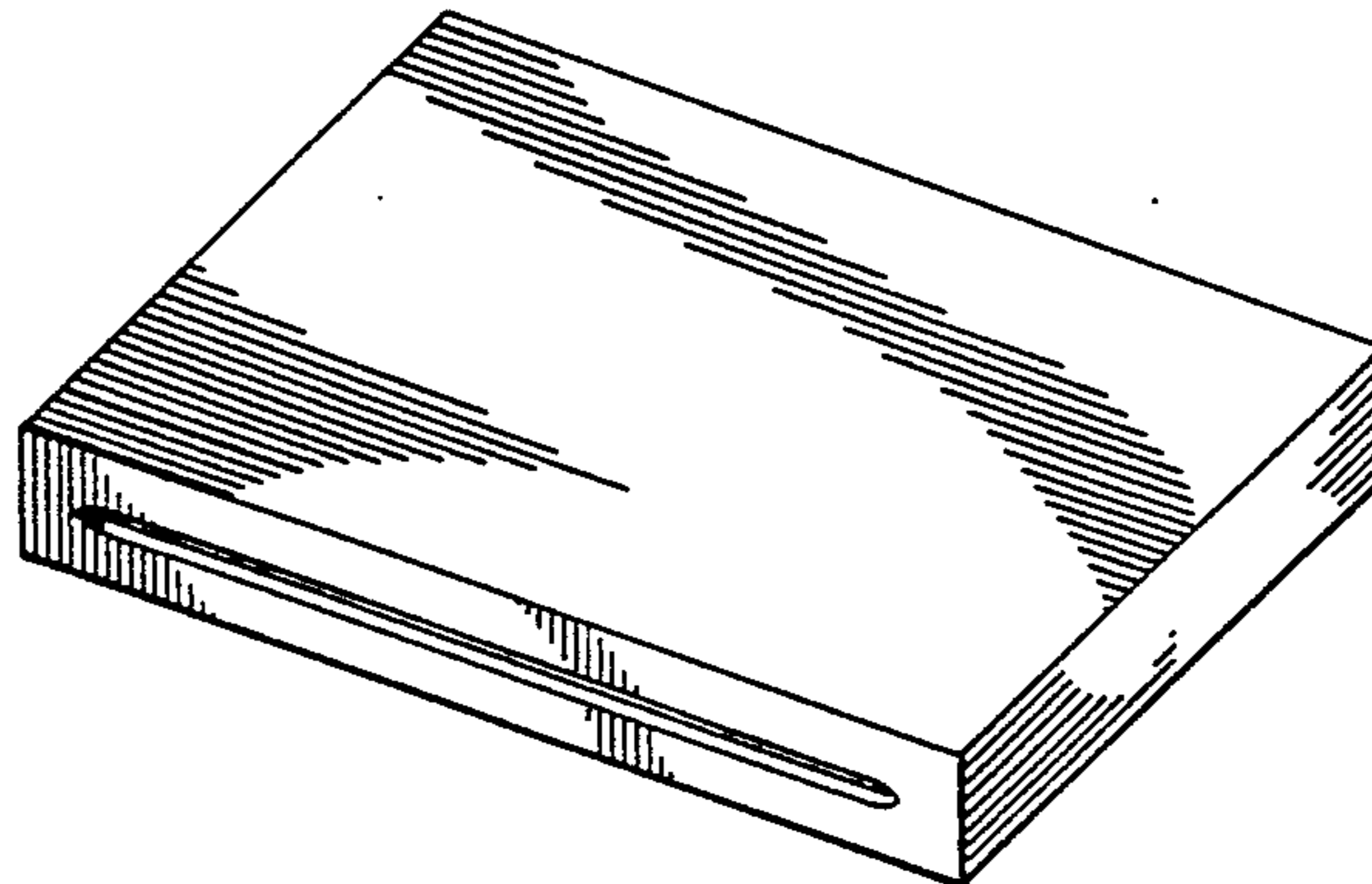
#### U.S. PATENT DOCUMENTS

D. 257,183	9/1980	Bruce et al. ....	27/27
262,683	8/1882	Moorman .....	27/27
321,781	7/1885	Barrett .....	27/27
434,717	8/1890	Lofton .....	27/27
1,492,998	5/1924	Meeker .....	27/27
1,558,558	10/1925	Metcalf .....	27/27
1,956,849	5/1934	Benbough .....	27/27

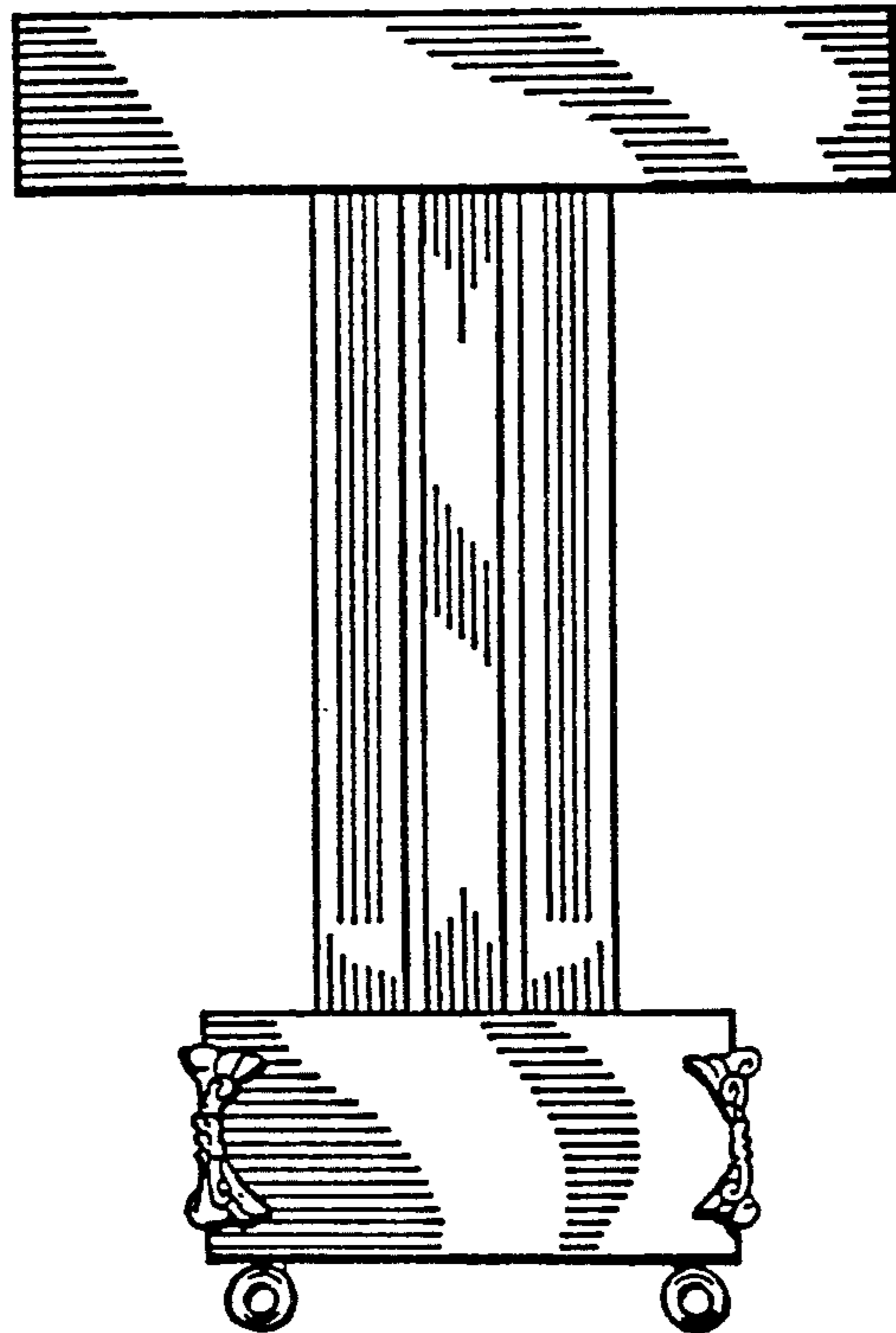
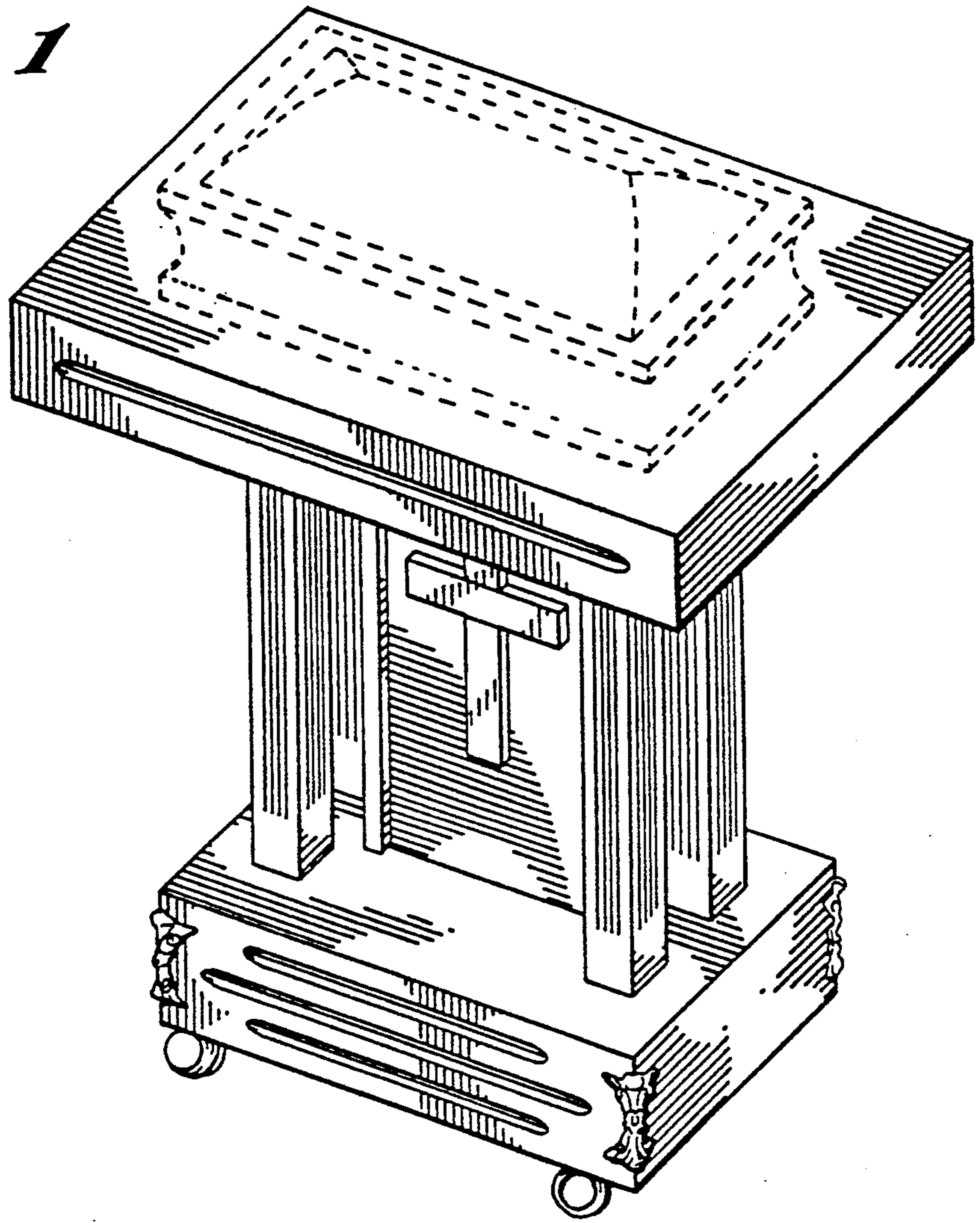
FIG. 1 is a front, top and right side perspective view of a combined baby bier and cremation urn stand showing our new design; the broken line showing is for environmental purposes only and forms no part of the claimed design;

FIG. 2 is a right side elevational view, the opposite side being a mirror image; and,

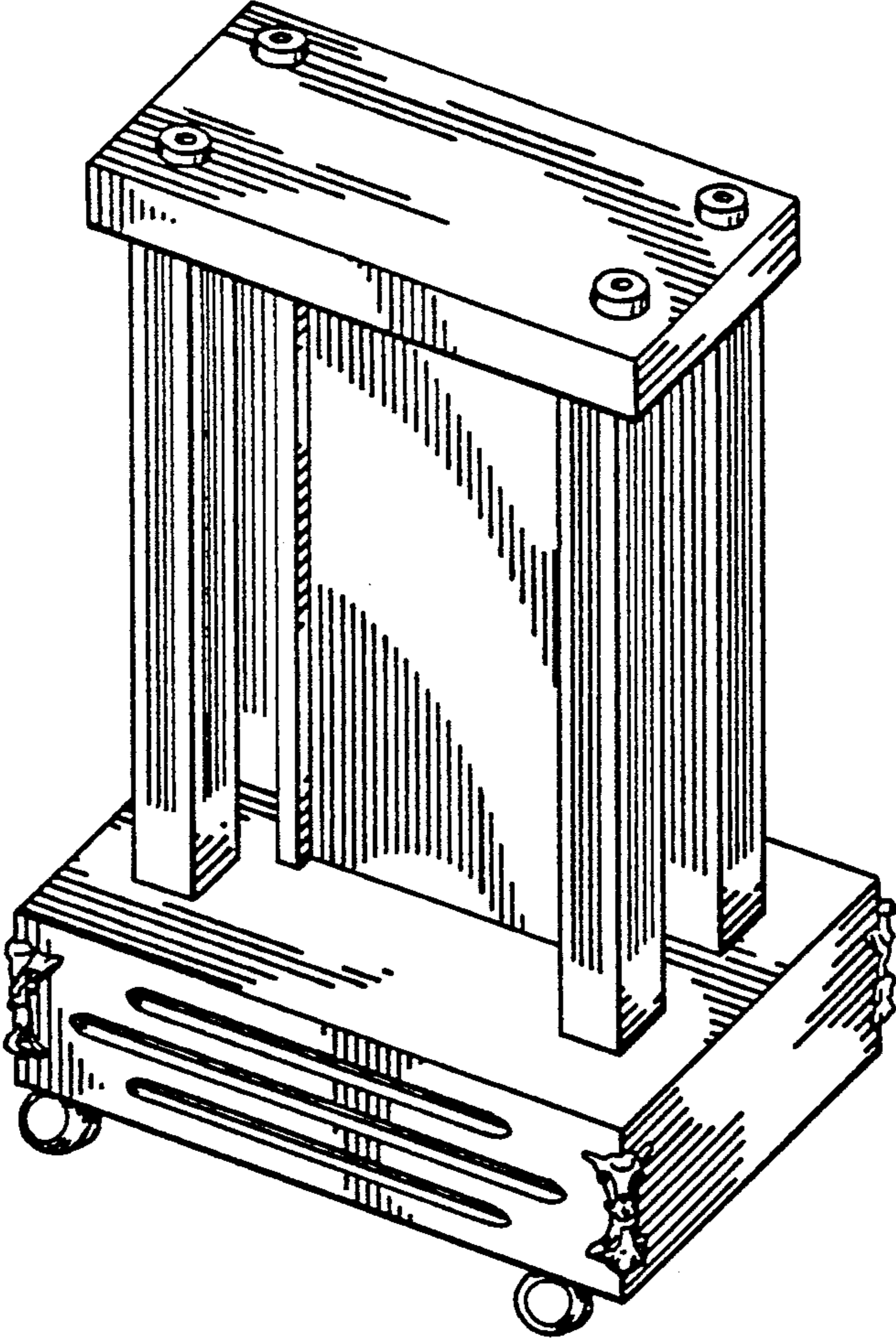
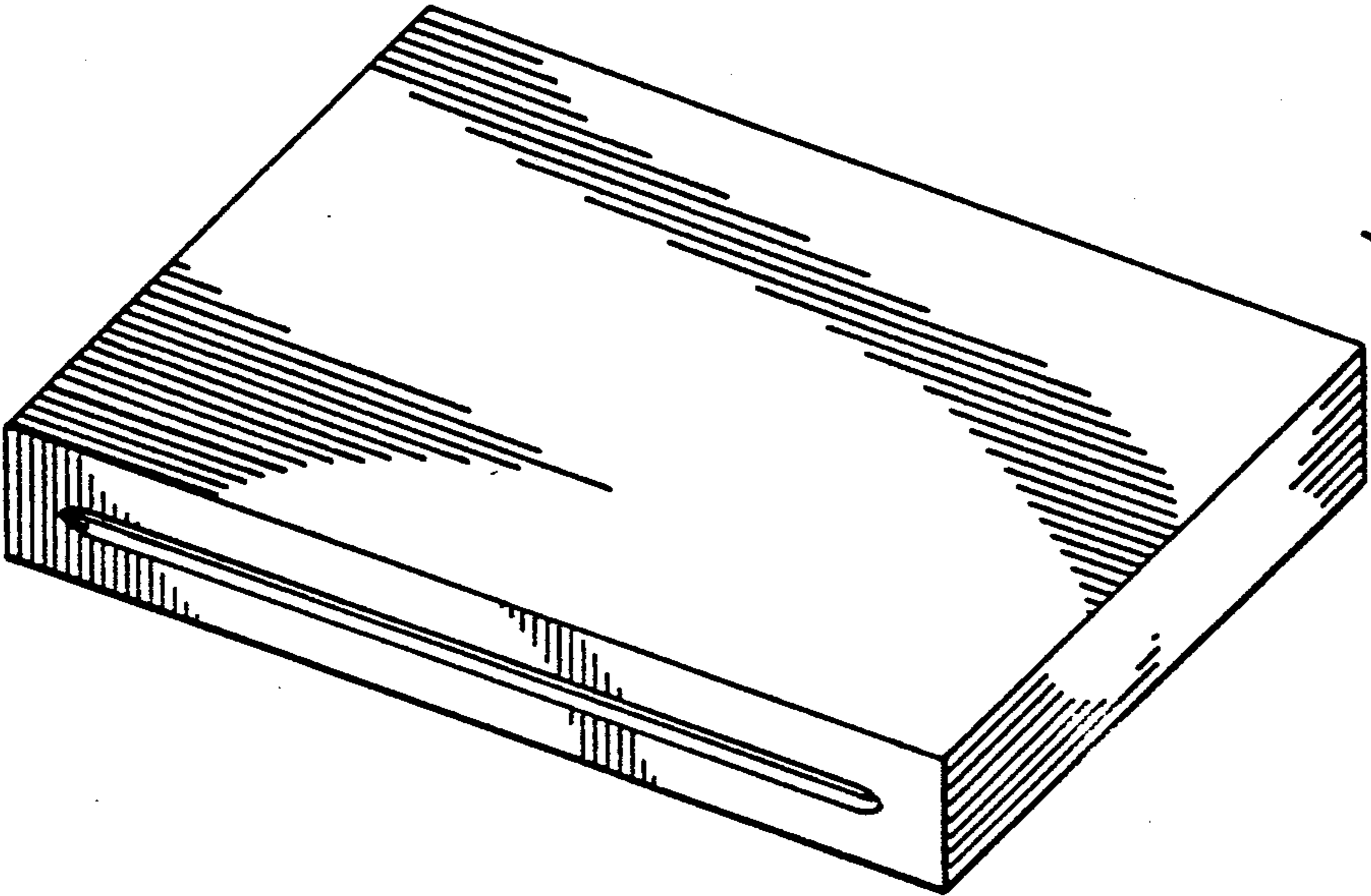
FIG. 3 is a front, top and right side exploded perspective view thereof showing.



**FIG. 1**



**FIG. 2**



**FIG. 3**