



US00D327764S

United States Patent [19]

[11] Patent Number: **Des. 327,764**

Davis

[45] Date of Patent: **** Jul. 7, 1992**

[54] **HYDRAULIC JACK**

[76] Inventor: **Sanchez Davis**, 1601 Dalton St., Cincinnati, Ohio 45250

[**] Term: **14 Years**

[21] Appl. No.: **556,197**

[22] Filed: **Jul. 20, 1990**

[52] U.S. Cl. **D34/31**

[58] Field of Search **D34/31; 280/303, 293, 280/300, 295, 304.3; 254/93 H, 134, 131, 423, 102, DIG. 1; 414/559**

[56] **References Cited**

U.S. PATENT DOCUMENTS

D. 227,394	6/1973	Hey-Shipton	D34/31
2,451,390	10/1948	Humphreys	254/134 X
2,469,670	5/1949	Thompson	254/134
2,837,312	6/1958	Troche	254/423
4,165,861	8/1979	Hanser	254/423

Primary Examiner—Wallace R. Burke
Assistant Examiner—H. Baynham
Attorney, Agent, or Firm—Leon Gilden

[57] **CLAIM**

The ornamental design for a hydraulic jack, as shown and described.

DESCRIPTION

FIG. 1 is a front elevational view of the hydraulic jack showing my new design;
FIG. 2 is a rear elevational view thereof;
FIG. 3 is a left side elevational view thereof;
FIG. 4 is a right side elevational view thereof;
FIG. 5 is a top plan view thereof;
FIG. 6 is a bottom plan view thereof; and,
FIG. 7 is a perspective view thereof.
The broken line showing of a portion of a vehicle and a tire is for illustrative purposes only and forms no part of the claimed design.

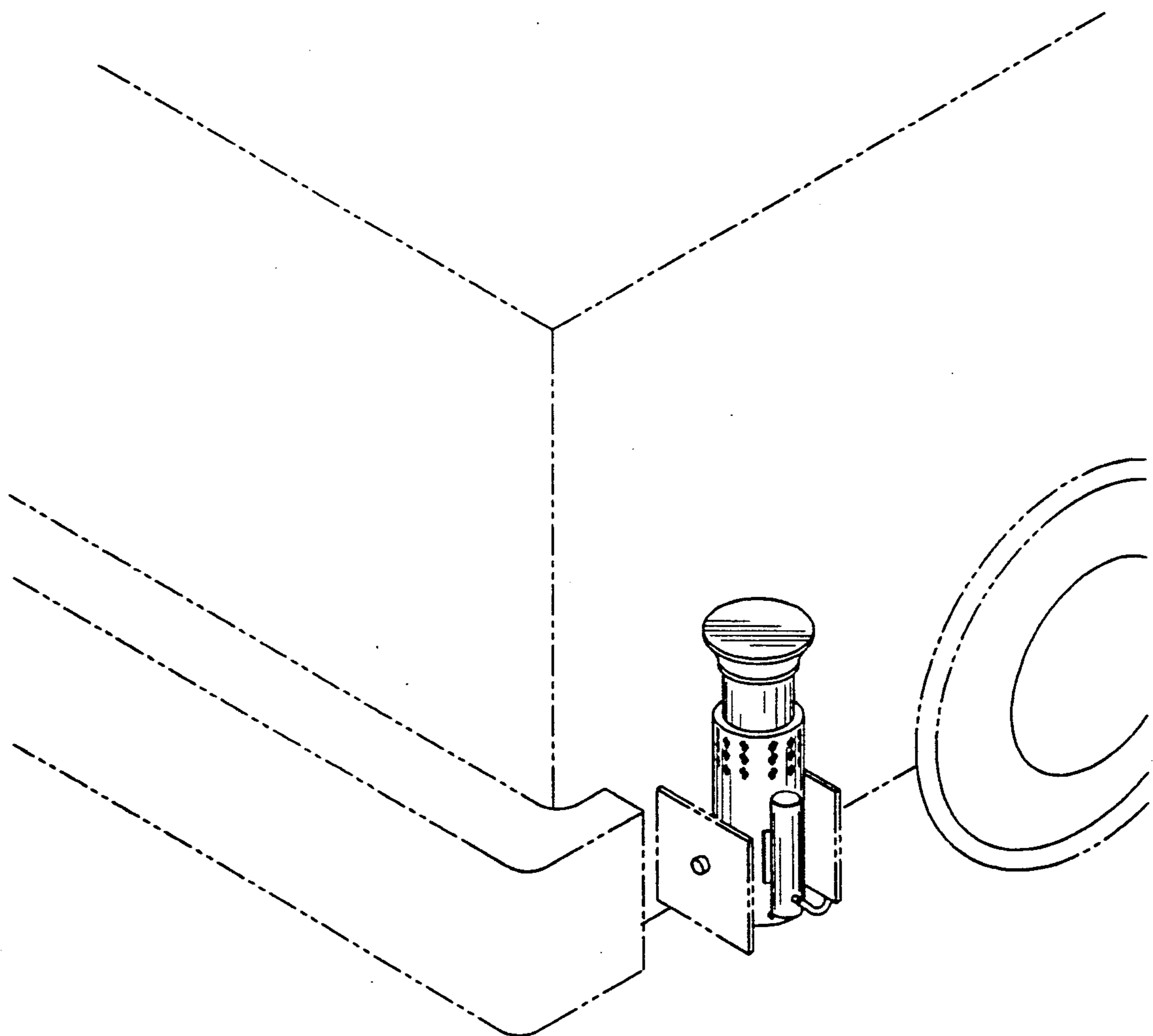


FIG. 1

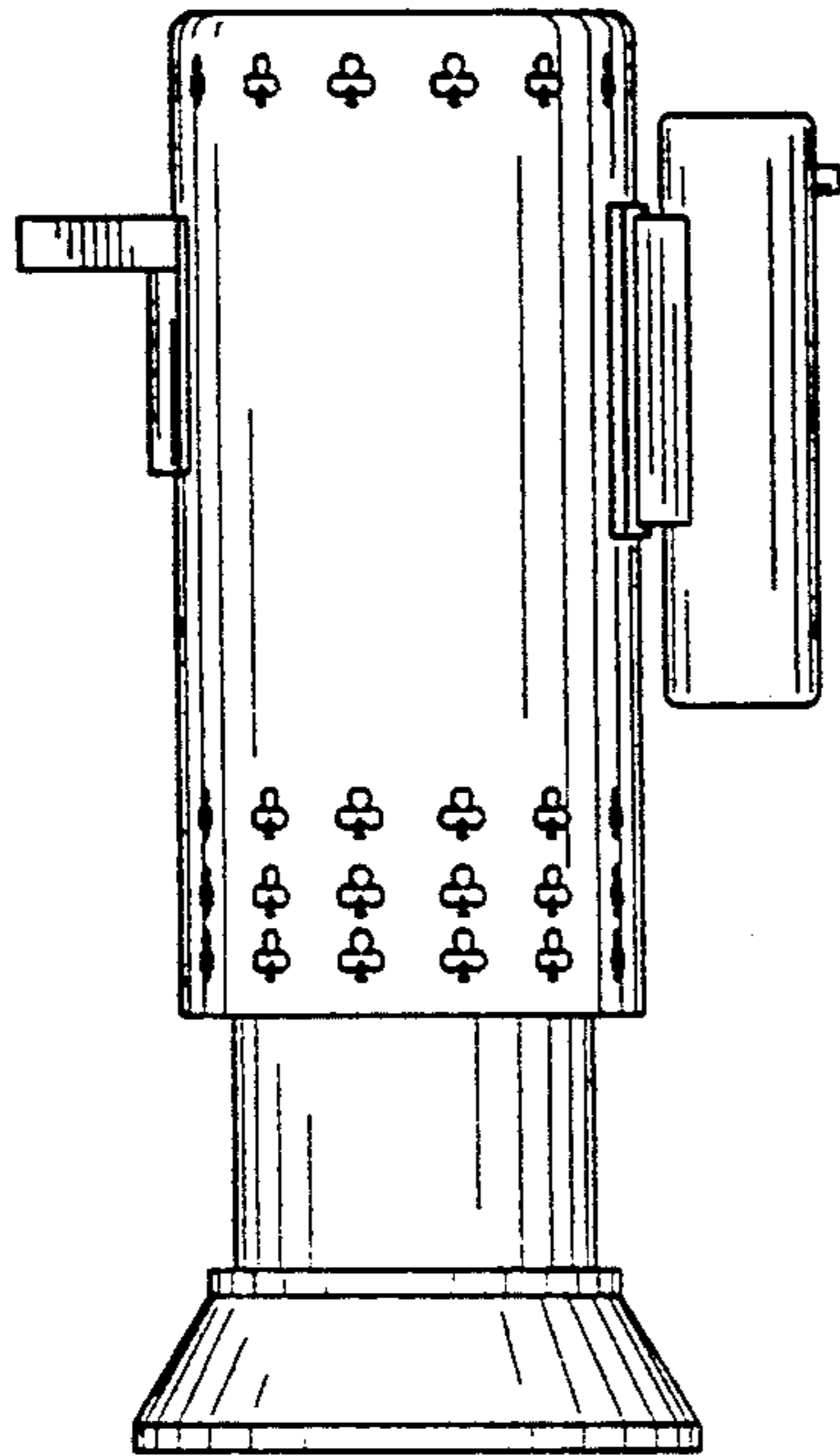


FIG. 2

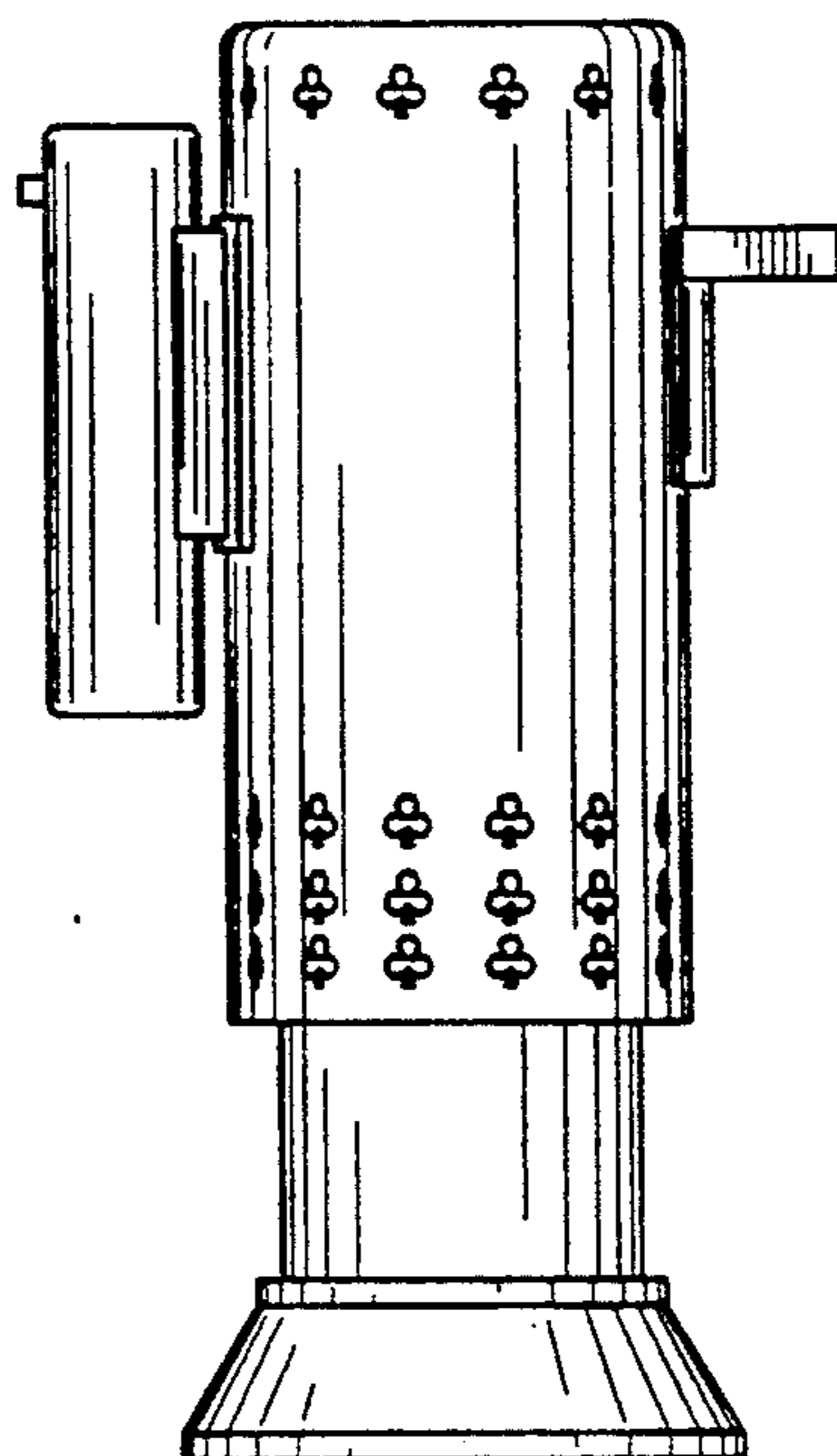


FIG. 3

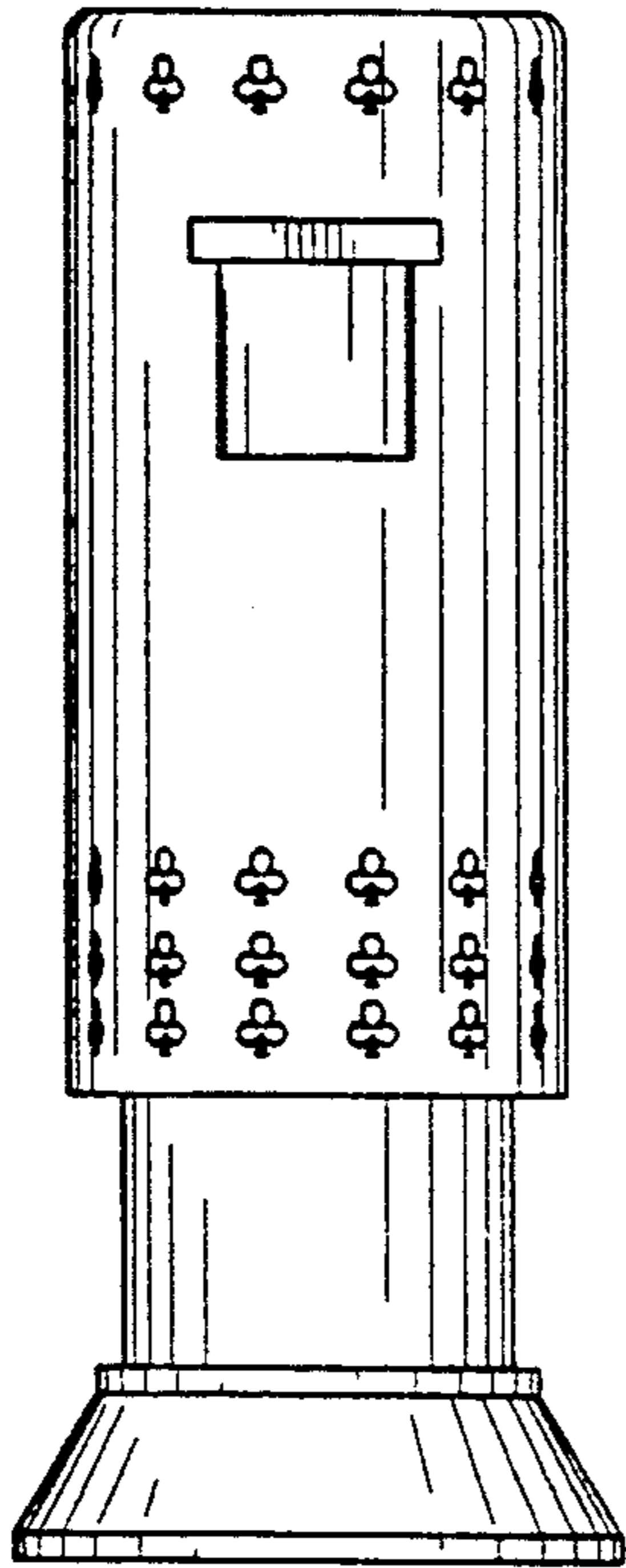


FIG. 4

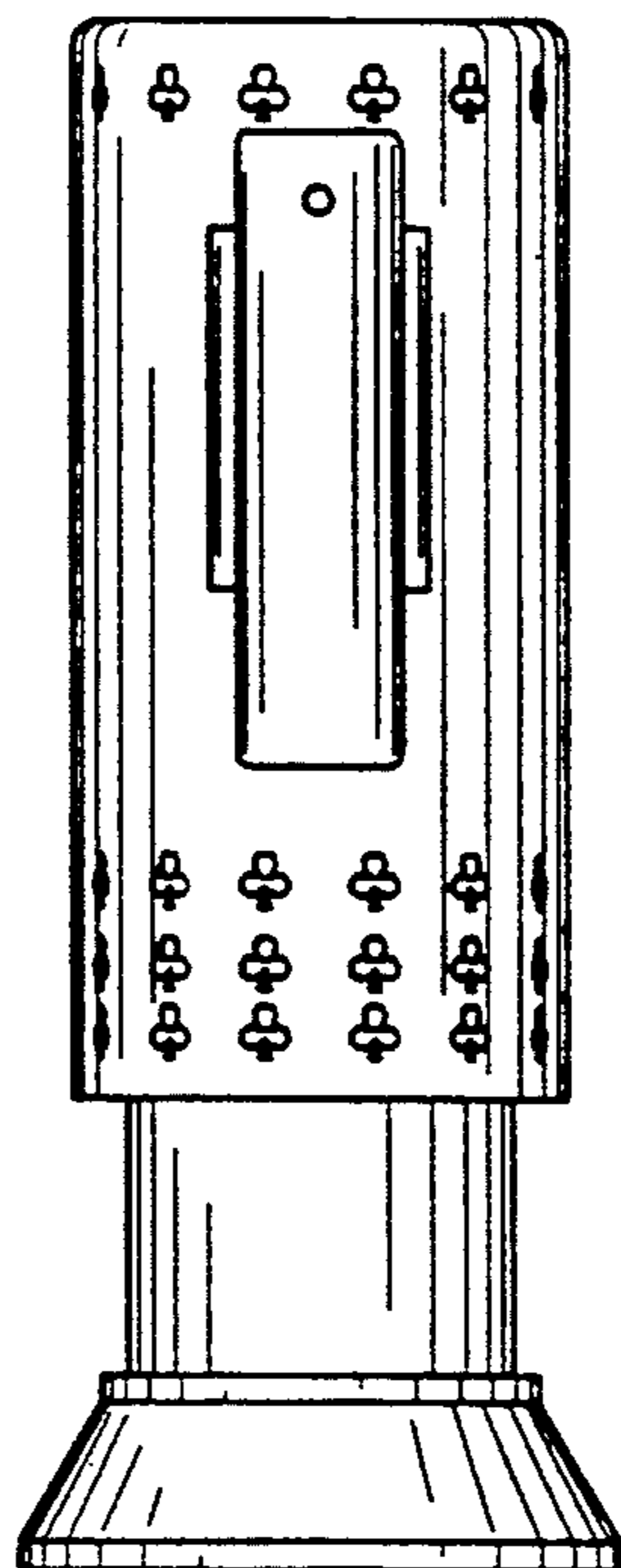


FIG. 5

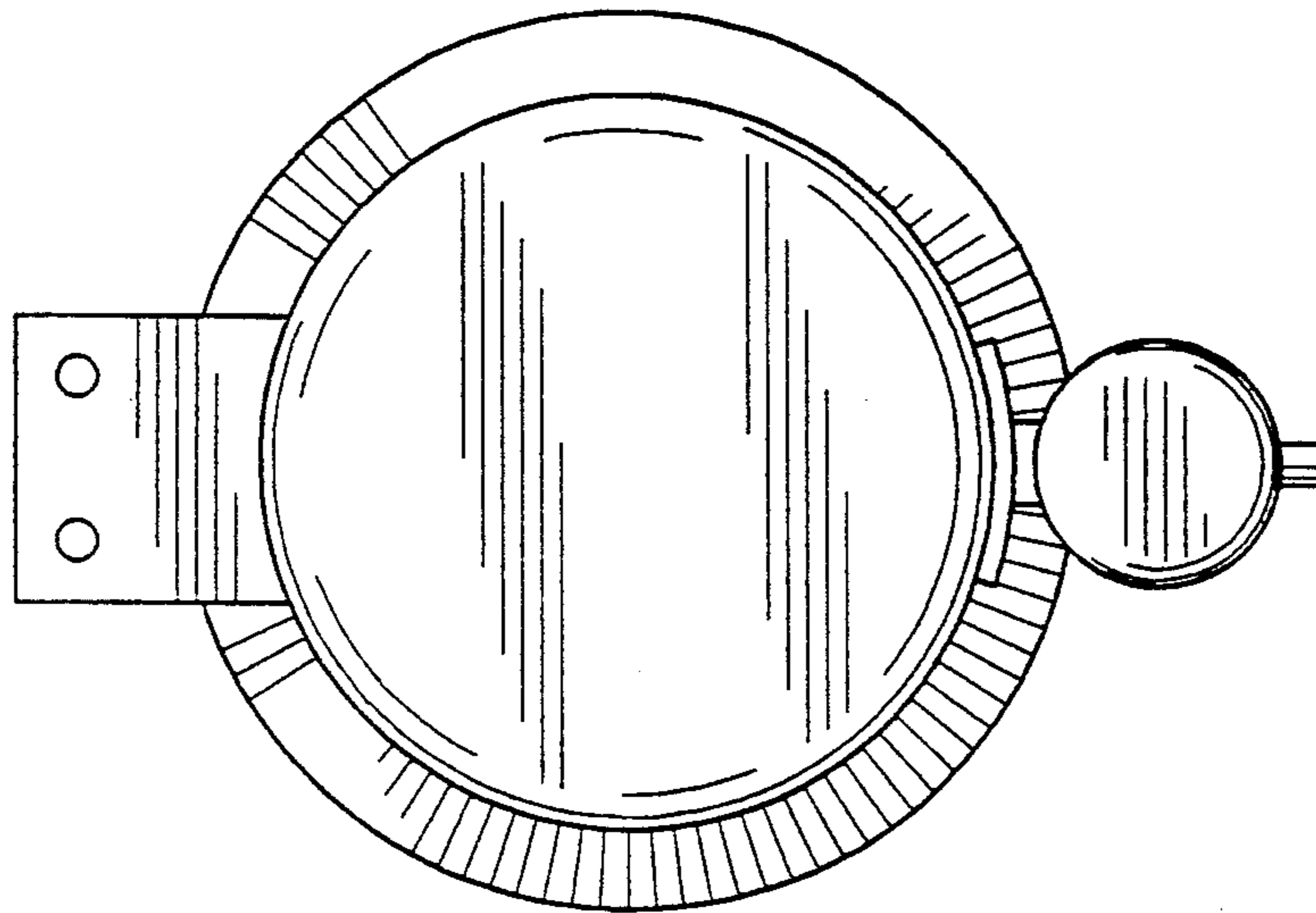


FIG. 6

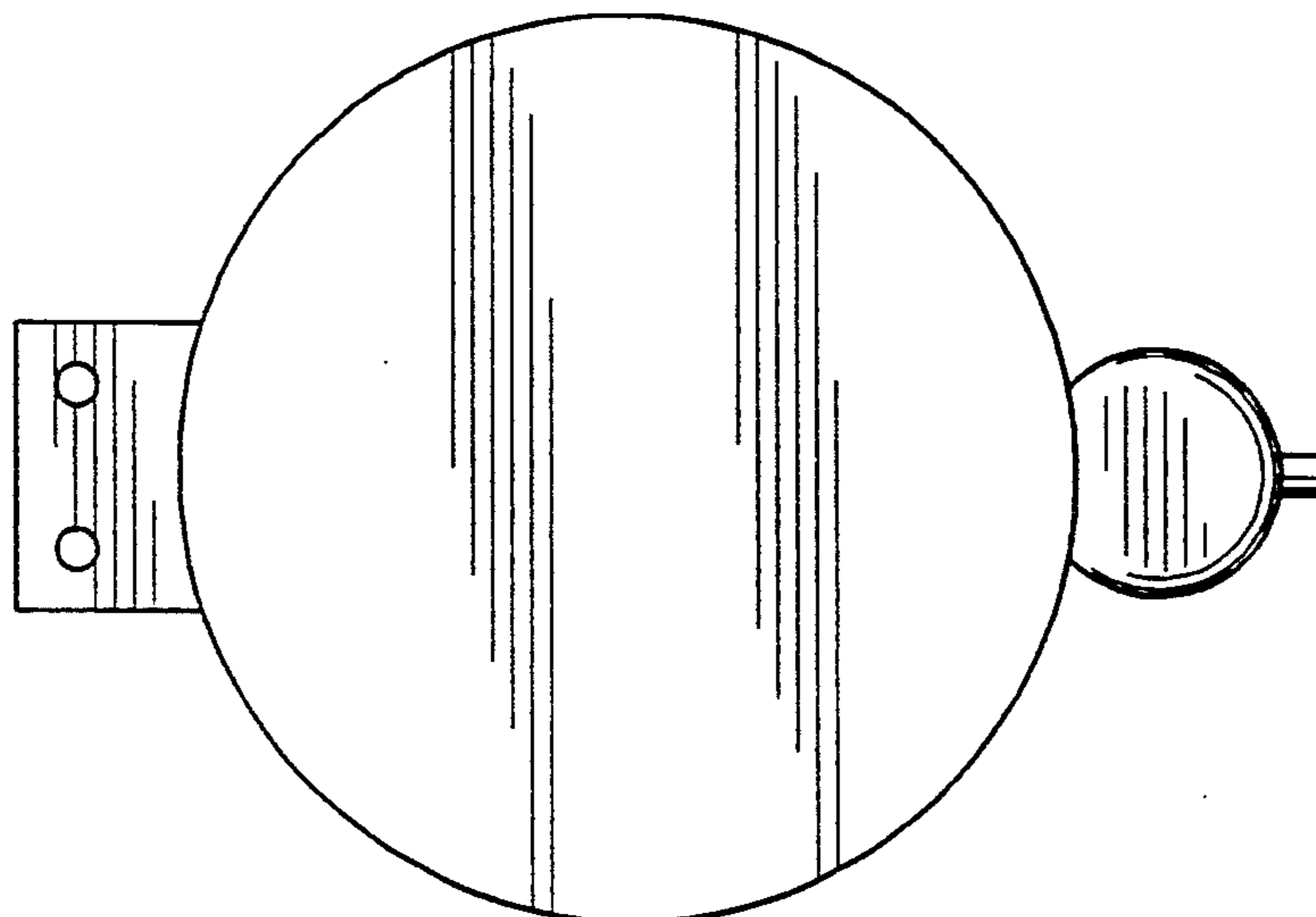


FIG. 7

