



US00D327763S

United States Patent [19]

Silbersky et al.

[11] Patent Number: **Des. 327,763**

[45] Date of Patent: **** Jul. 7, 1992**

[54] **LIFTING APPLIANCE FOR DISABLED, SICK OR INJURED PERSONS**

4,399,572 8/1983 Johansson 5/81 R

[75] Inventors: **Jonnie Silbersky, Malmo; Leif B. Sonesson, Eslov, both of Sweden**

OTHER PUBLICATIONS

G. E. Miller, Inc., 1965, p. 46, patient lifters, located on left side of page and in top right hand corner of page.

[73] Assignee: **Arjo Hospital Equipment AB, Eslöv, Sweden**

Primary Examiner—Wallace R. Burke
Assistant Examiner—H. Baynham

[**] Term: **14 Years**

[57] CLAIM

[21] Appl. No.: **508,414**

The ornamental design for a lifting appliance for lifting disabled, sick or injured persons, as shown and described.

[22] Filed: **Apr. 13, 1990**

[30] Foreign Application Priority Data

DESCRIPTION

Oct. 17, 1989 [SE] Sweden 89 2336

[52] U.S. Cl. **D34/28**

[58] Field of Search 5/81 R, 88, 89; D34/28

FIG. 1 is a perspective view of a lifting appliance for disabled, sick or injured persons showing our new design;

FIG. 2 is an opposite side perspective view thereof;

FIG. 3 is a perspective view of the yoke detached from the lifting appliance and shown separately for clarity of illustration only; and,

FIG. 4 is an opposite side perspective view thereof.

[56] References Cited

U.S. PATENT DOCUMENTS

D. 285,137 8/1986 Svensson D34/28

D. 287,778 1/1987 Svensson D34/28

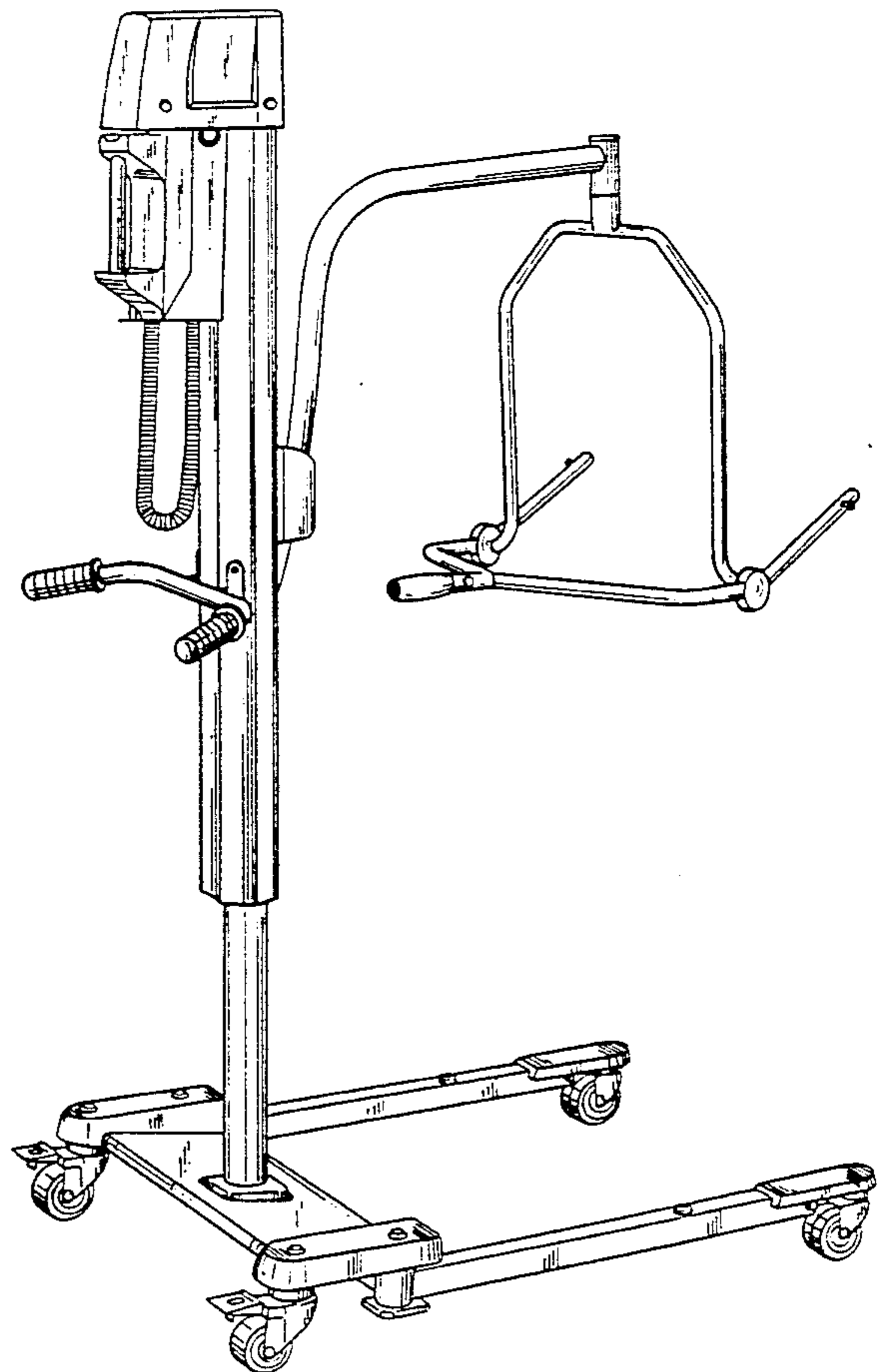
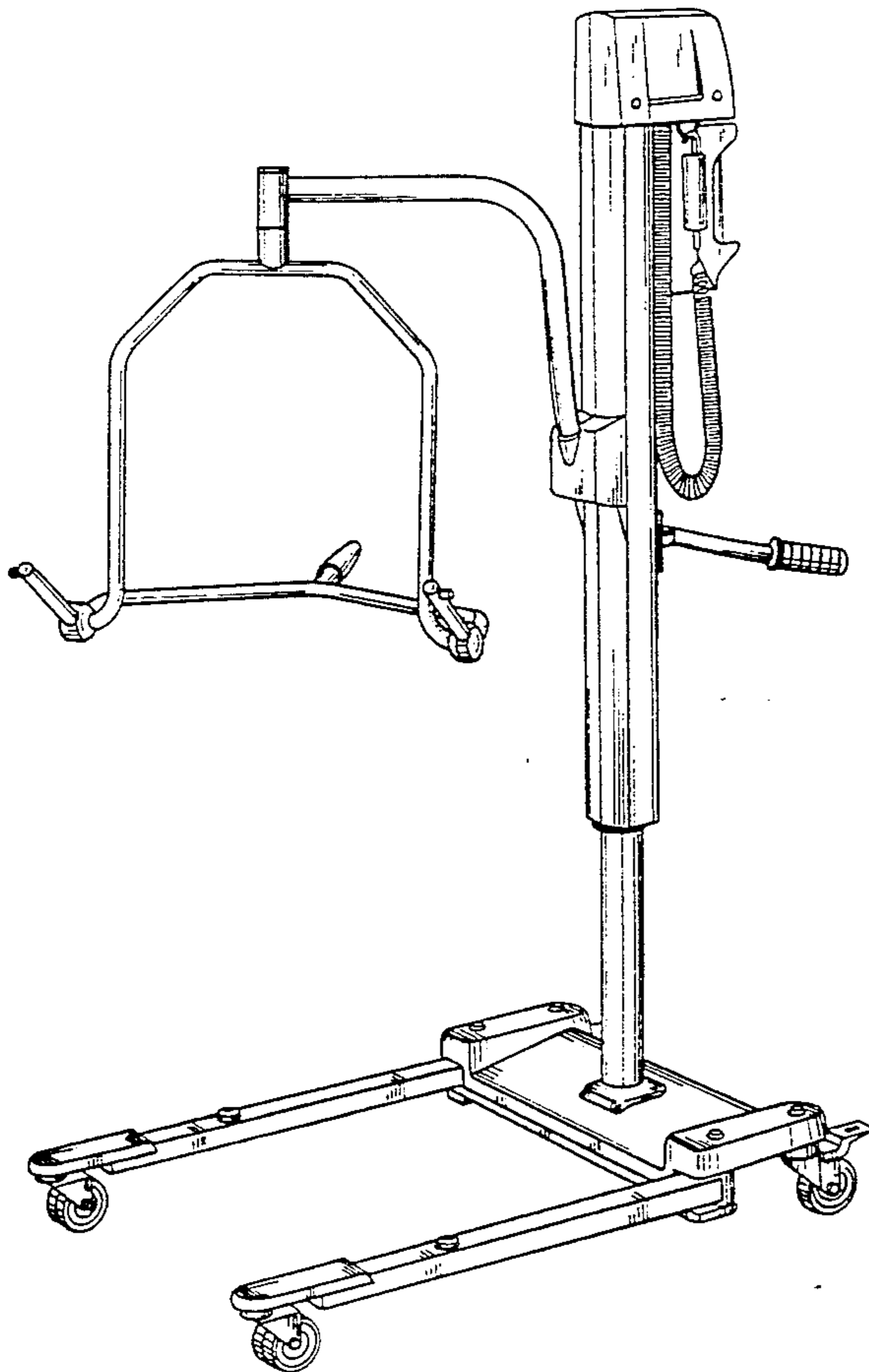


FIG. 1

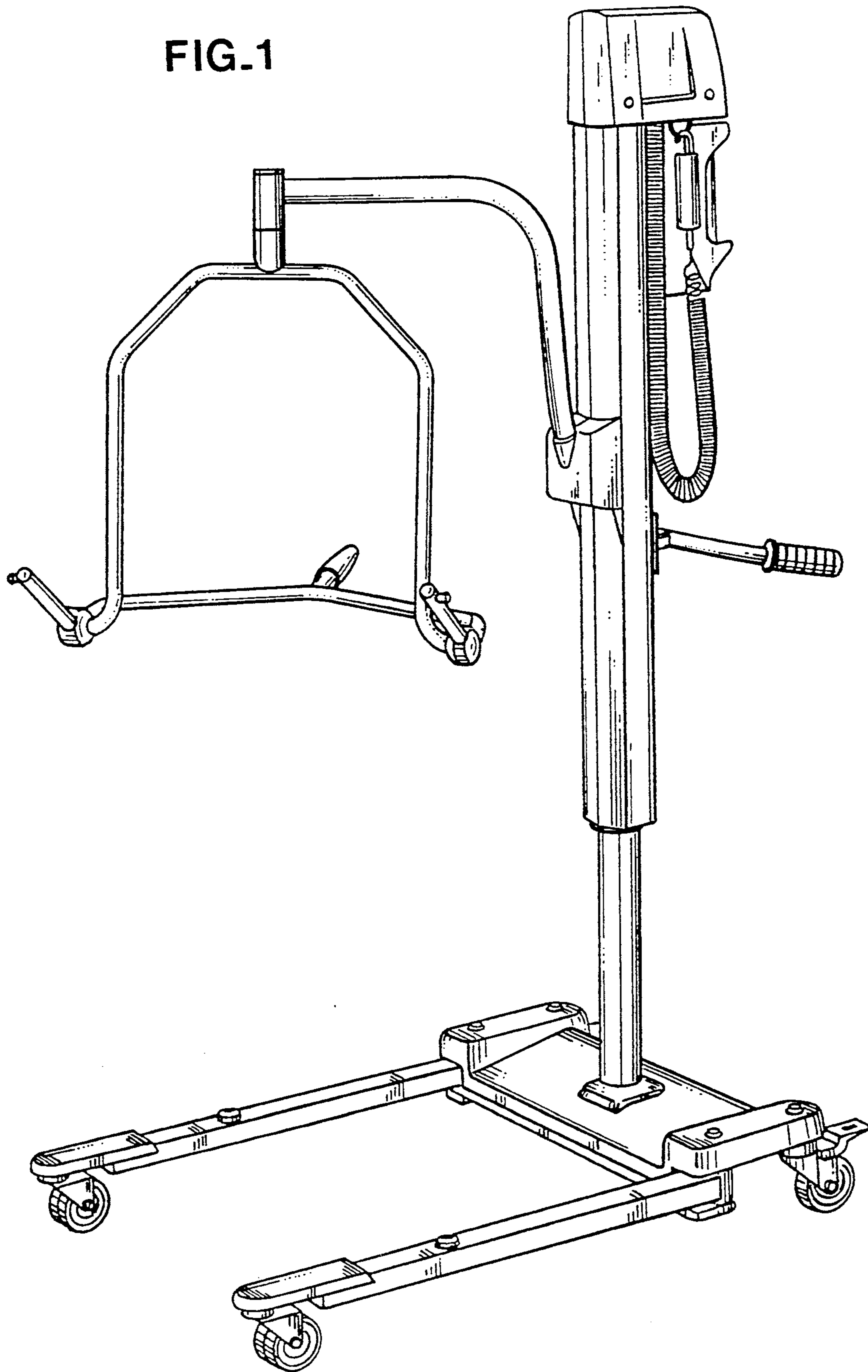


FIG. 2

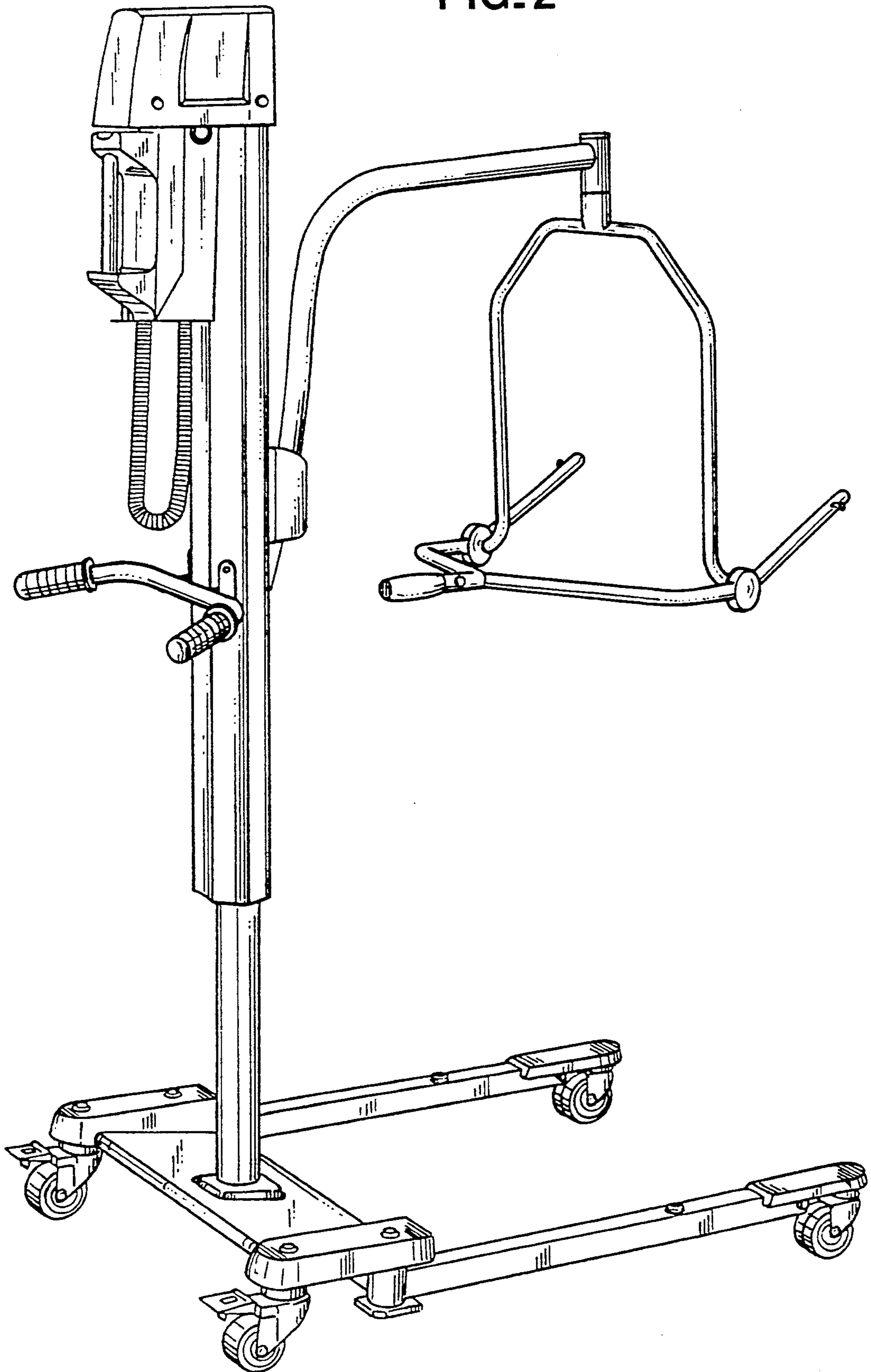


FIG. 3

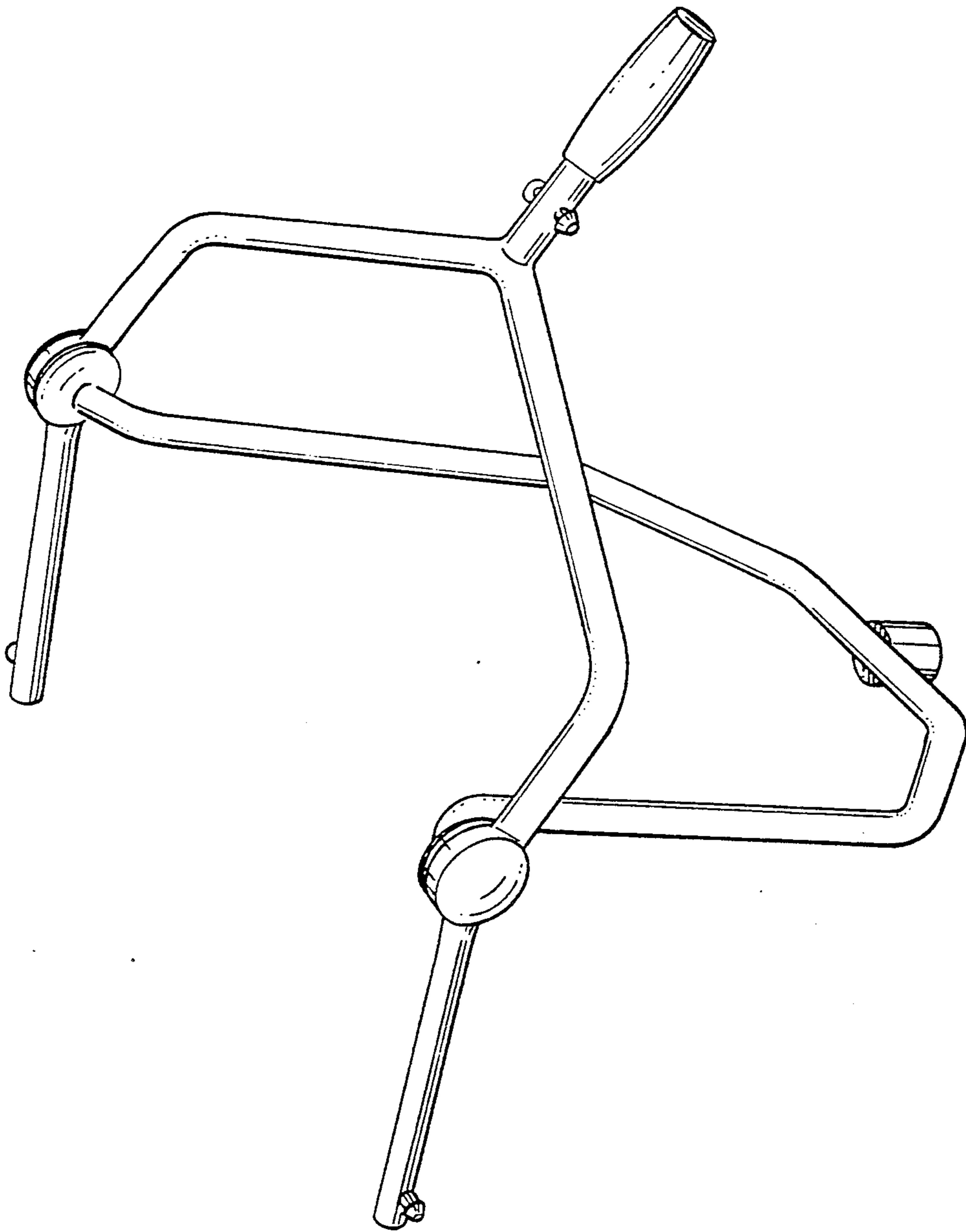


FIG. 4

