



US00D327762S

# United States Patent [19]

Silbersky et al.

[11] Patent Number: **Des. 327,762**

[45] Date of Patent: **\*\* Jul. 7, 1992**

[54] **LIFTING APPLIANCE FOR LIFTING DISABLED, SICK OR INJURED PERSONS**

[75] Inventors: **Jonnie Silbersky, Malmo; Leif B. Sonesson, Eslov, both of Sweden**

[73] Assignee: **Arjo Hospital Equipment AB, Eslöv, Sweden**

[\*\*] Term: **14 Years**

[21] Appl. No.: **508,412**

[22] Filed: **Apr. 13, 1990**

[30] **Foreign Application Priority Data**

Oct. 17, 1989 [SE] Sweden ..... 89 2338

[52] U.S. Cl. .... **D34/28**

[58] Field of Search ..... 5/81 R, 88, 89; D34/28

[56] **References Cited**

**U.S. PATENT DOCUMENTS**

D. 285,137	8/1986	Svensson .....	D34/28
D. 287,778	1/1987	Svensson .....	D34/28
4,399,572	8/1983	Johansson .....	5/81 R

**OTHER PUBLICATIONS**

G. E. Miller, Inc., 1965, p. 46, patient lifters, located on left side of page and in top right hand corner of page.

*Primary Examiner*—Wallace R. Burke

*Assistant Examiner*—H. Baynham

[57] **CLAIM**

The ornamental design for a lifting appliance for lifting disabled, sick or injured persons, as shown and described.

**DESCRIPTION**

FIG. 1 is a perspective view of a lifting appliance for lifting disabled, sick or injured persons showing our new design; and,

FIG. 2 is an opposite side perspective view thereof.

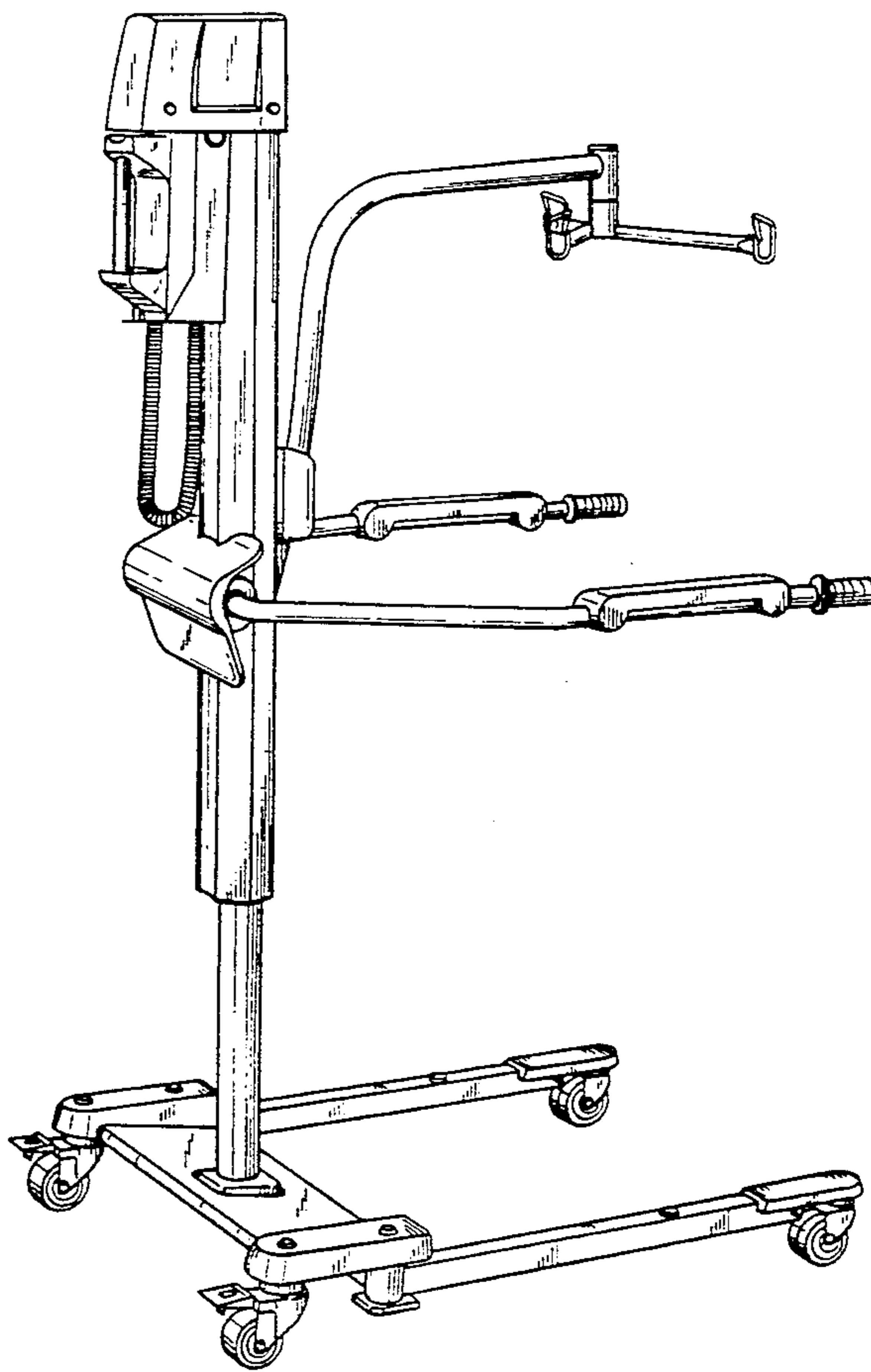
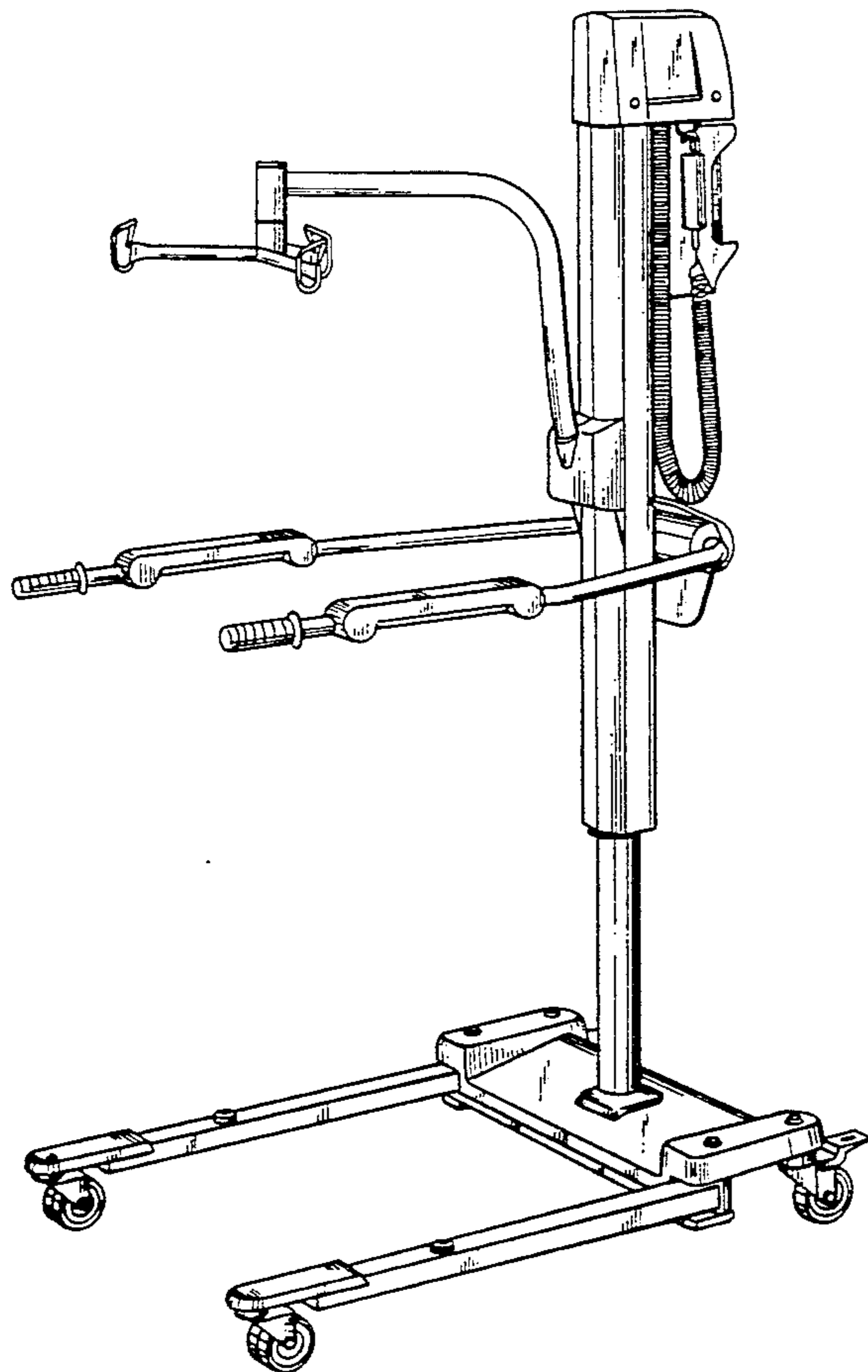


FIG. 1

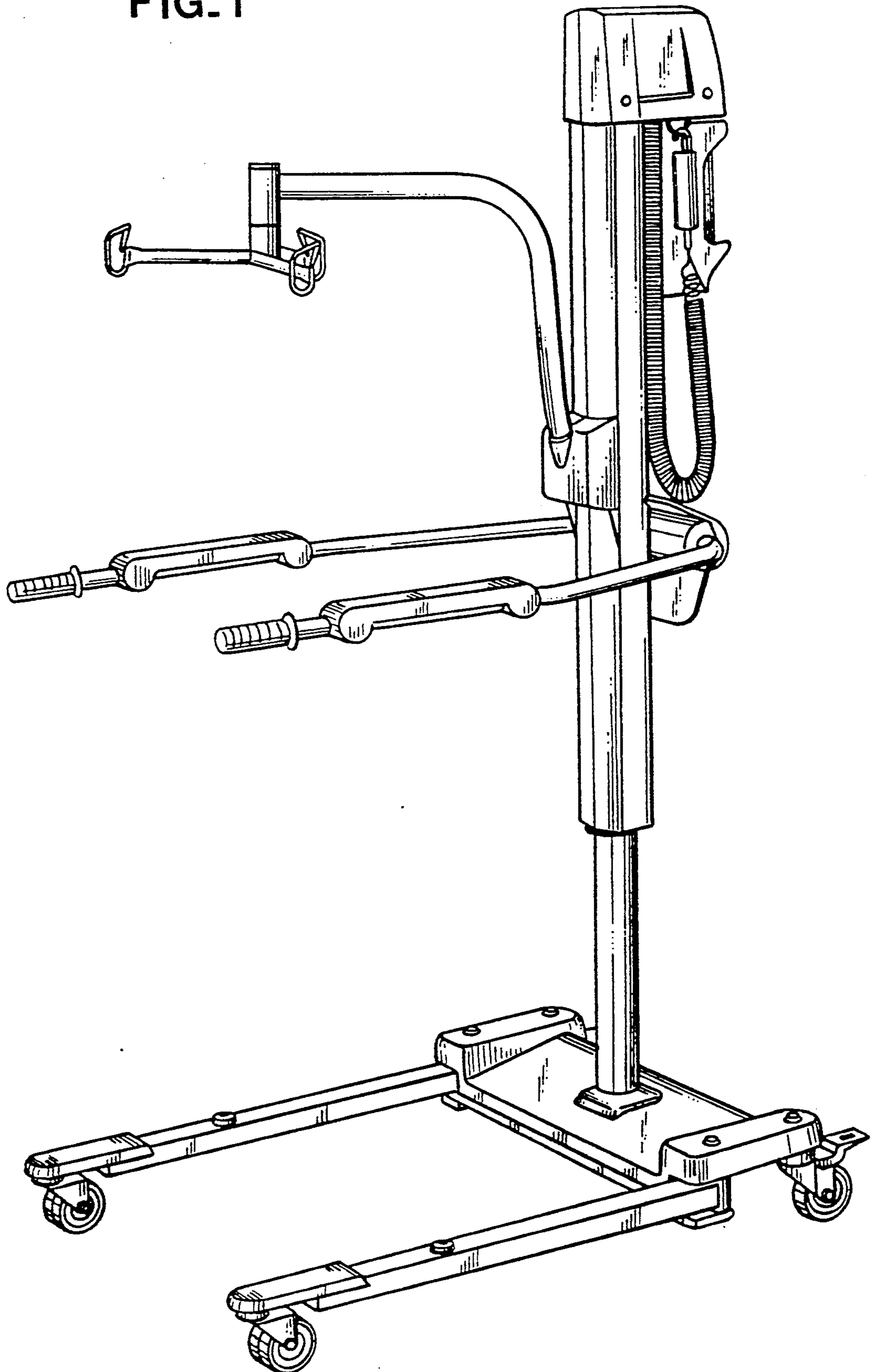


FIG. 2

