



US00D327753S

United States Patent [19]

[11] Patent Number: **Des. 327,753**

Banks

[45] Date of Patent: **** Jul. 7, 1992**

[54] **ARM AND ELBOW PROTECTOR**

4,942,624 7/1990 Cho 2/24
4,999,847 3/1991 Barcelo 2/2

[76] Inventor: **Joseph H. Banks, 2677 Terratim La., Decatur, Ga. 30034**

Primary Examiner—A. Hugo Word
Assistant Examiner—Ruth McInroy
Attorney, Agent, or Firm—Rodgers & Rodgers

[**] Term: **14 Years**

[21] Appl. No.: **401,734**

[57] **CLAIM**

[22] Filed: **Sep. 1, 1989**

The ornamental design for an arm and elbow protector, as shown.

[52] U.S. Cl. **D29/20**

[58] Field of Search D29/10, 20, 99; 2/2, 2/16, 17, 22, 24, 170; 128/80 C; D24/155, 189, 190-192

DESCRIPTION

[56] **References Cited**

U.S. PATENT DOCUMENTS

D. 251,696	5/1979	Gwon	D29/10
D. 278,470	4/1985	Eghamn	D2/27
3,268,912	8/1966	Whelan	2/22
4,373,213	2/1983	Erlandson	2/16

FIG. 1 is a perspective view of an arm and elbow protector showing my new design;
FIG. 2 is a left side elevational view thereof;
FIG. 3 is a front elevational view thereof;
FIG. 4 is a right side elevational view thereof;
FIG. 5 is a rear elevational view thereof;
FIG. 6 is a top plan view thereof; and,
FIG. 7 is a bottom plan view thereof.

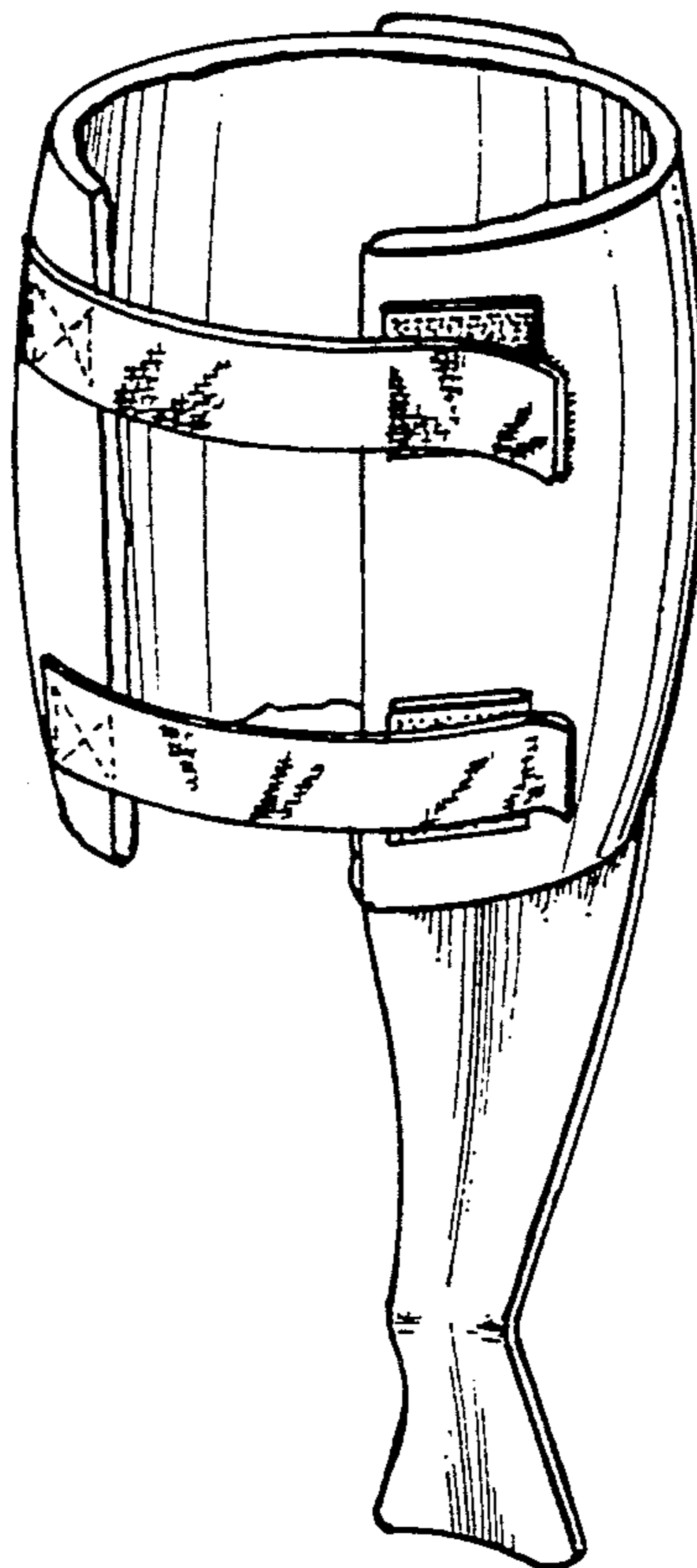


FIG. 1

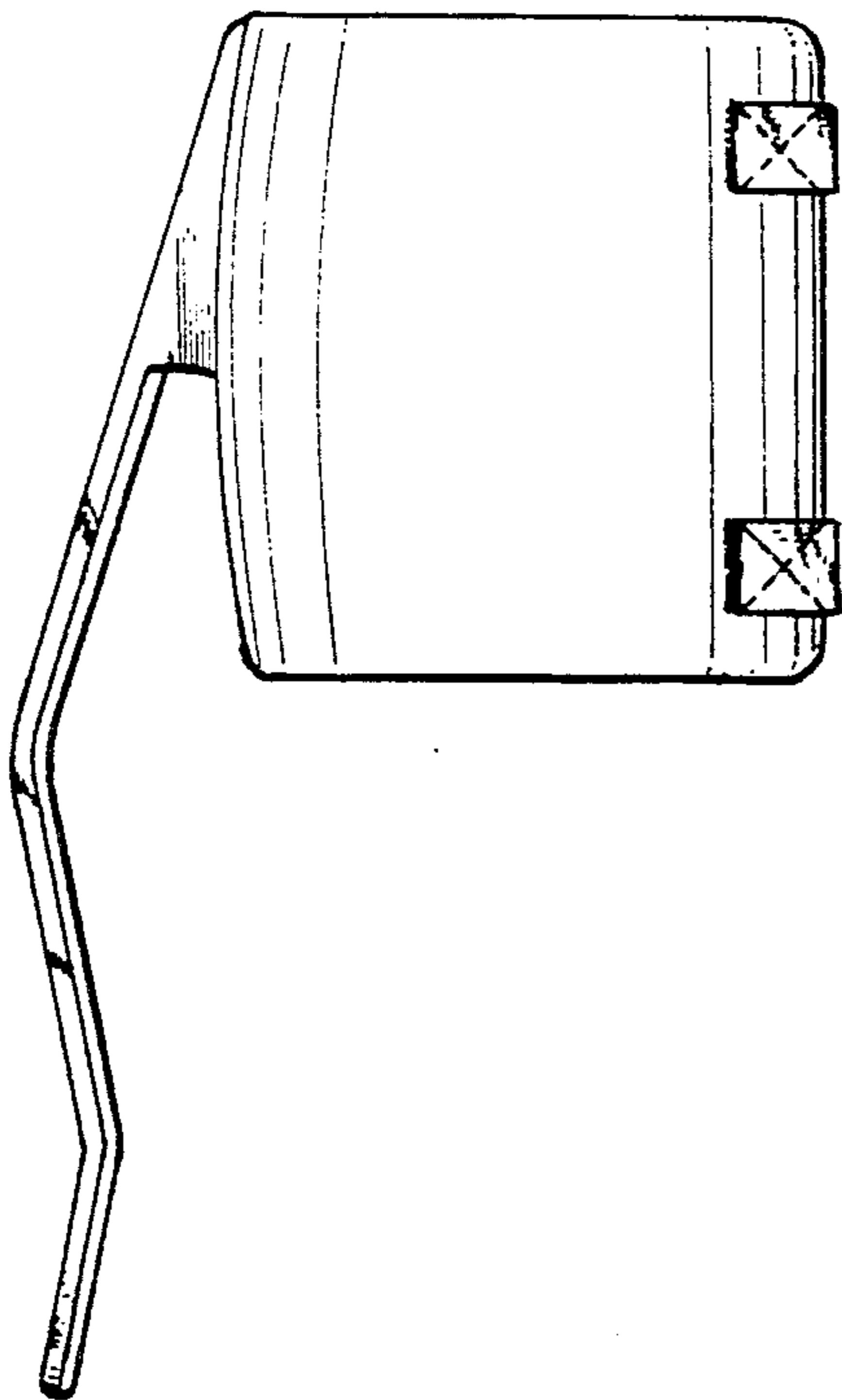
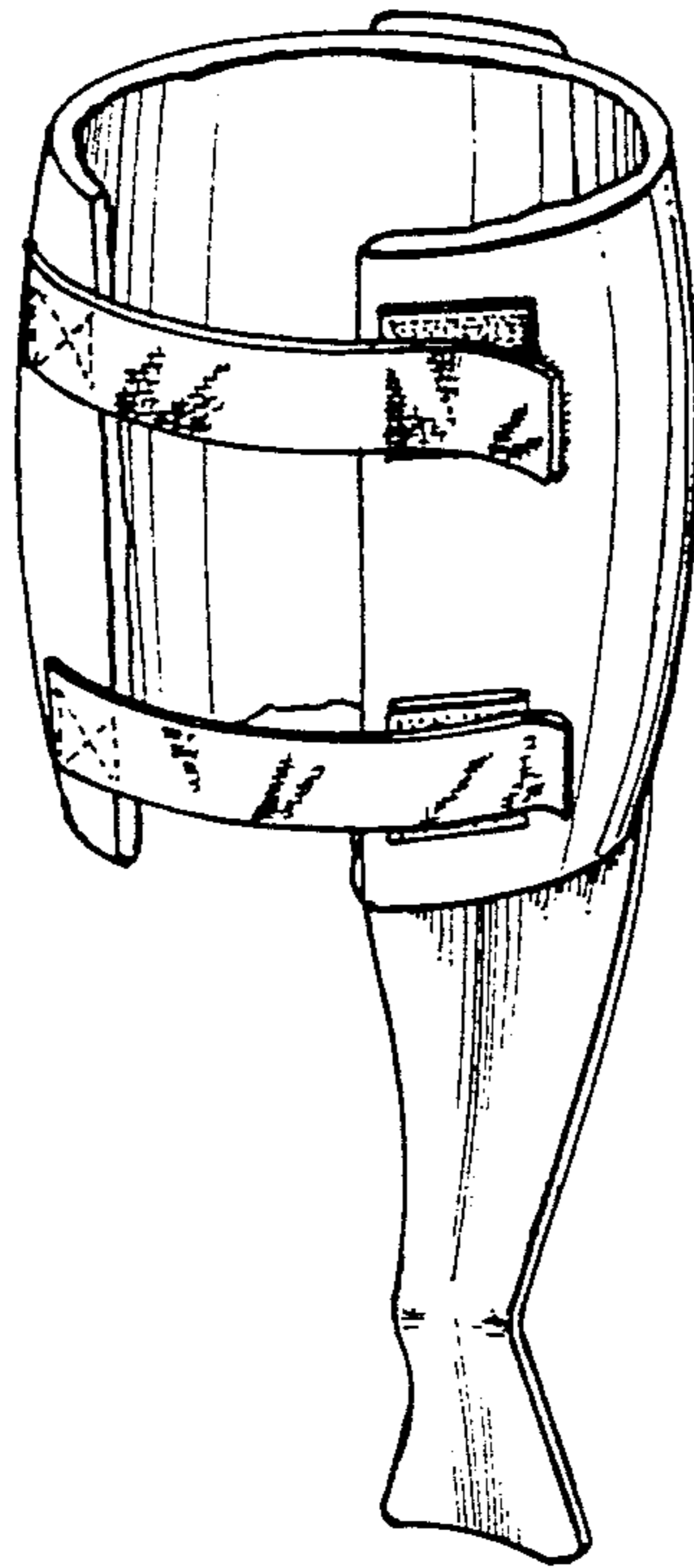


FIG. 2

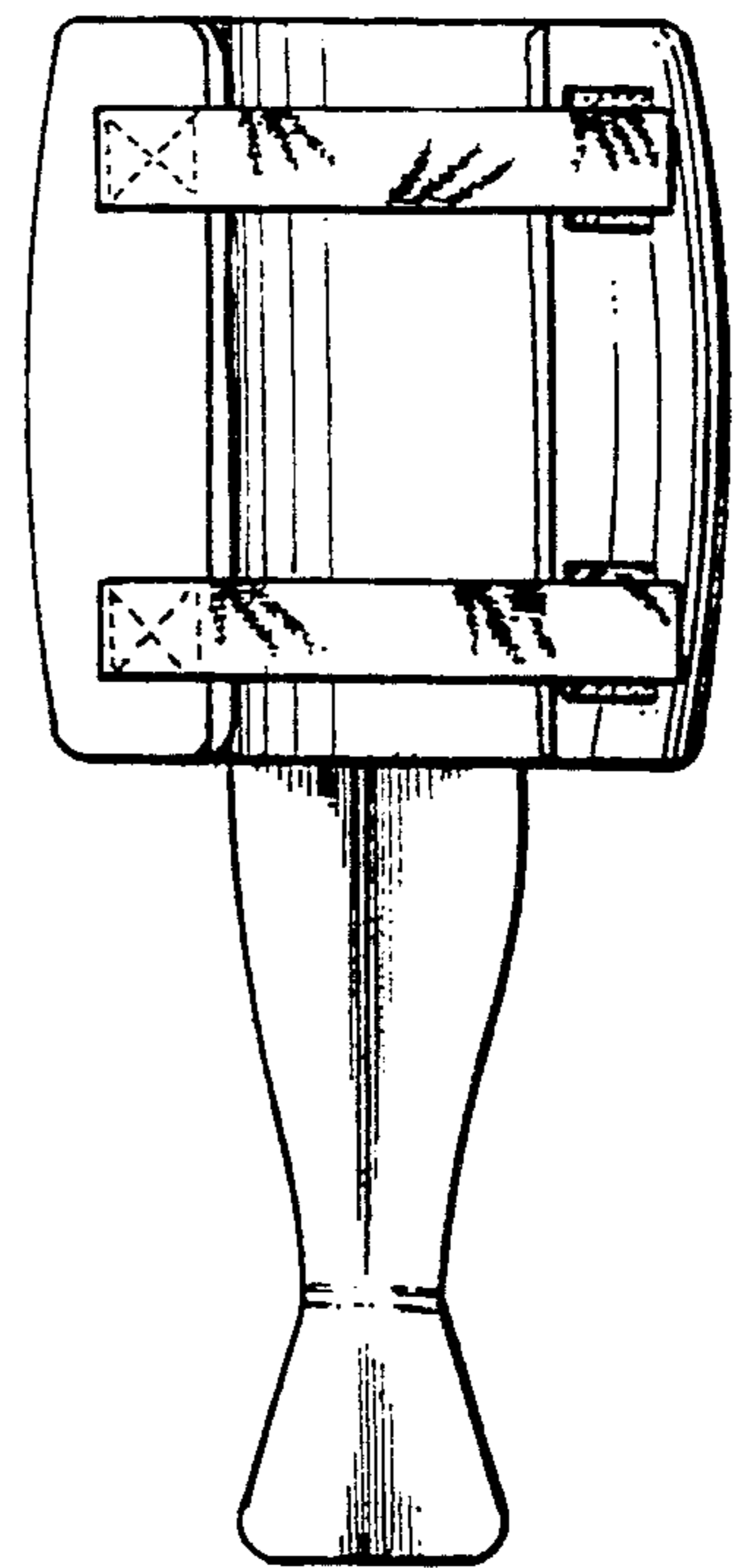


FIG. 3

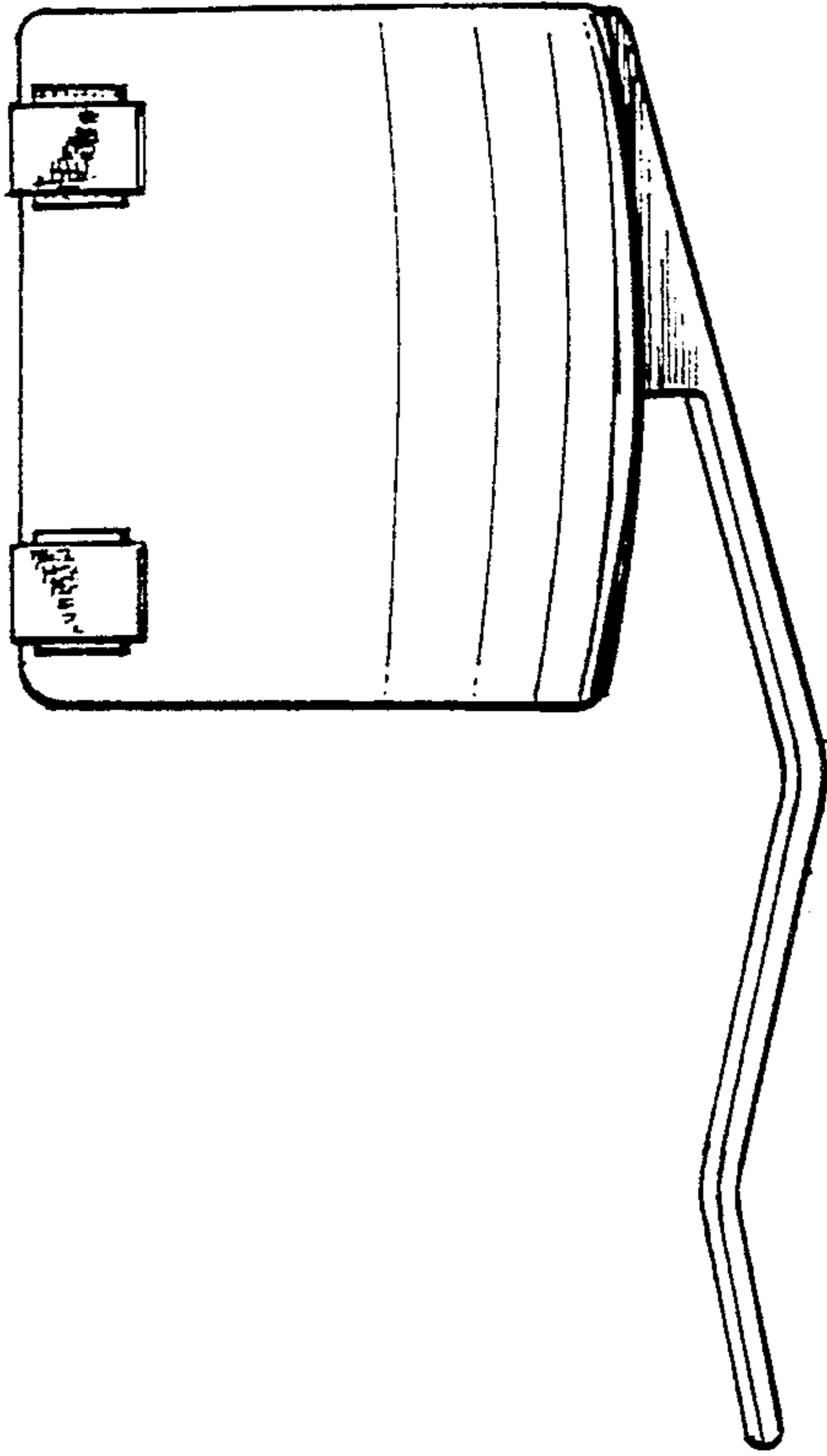


FIG. 4

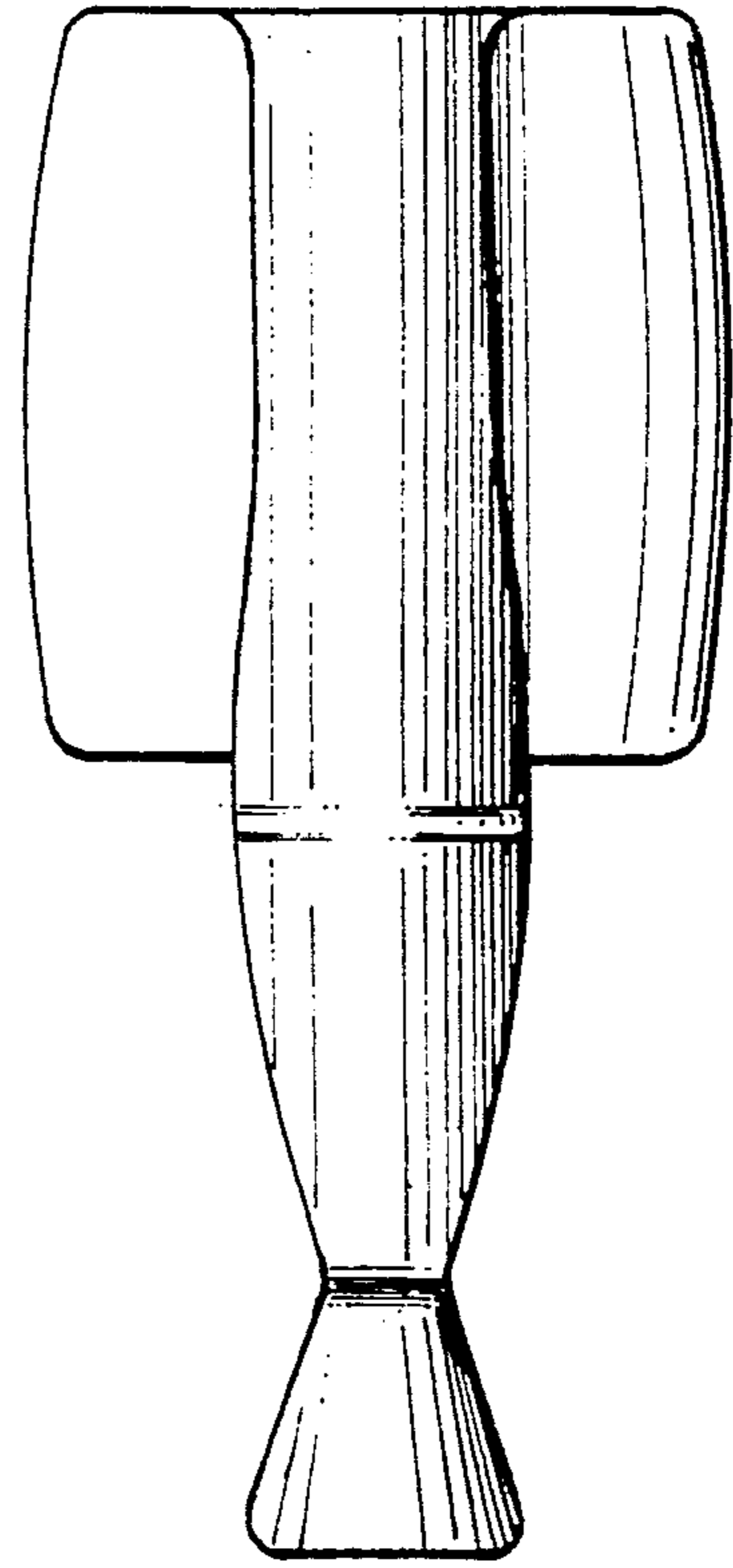


FIG. 5

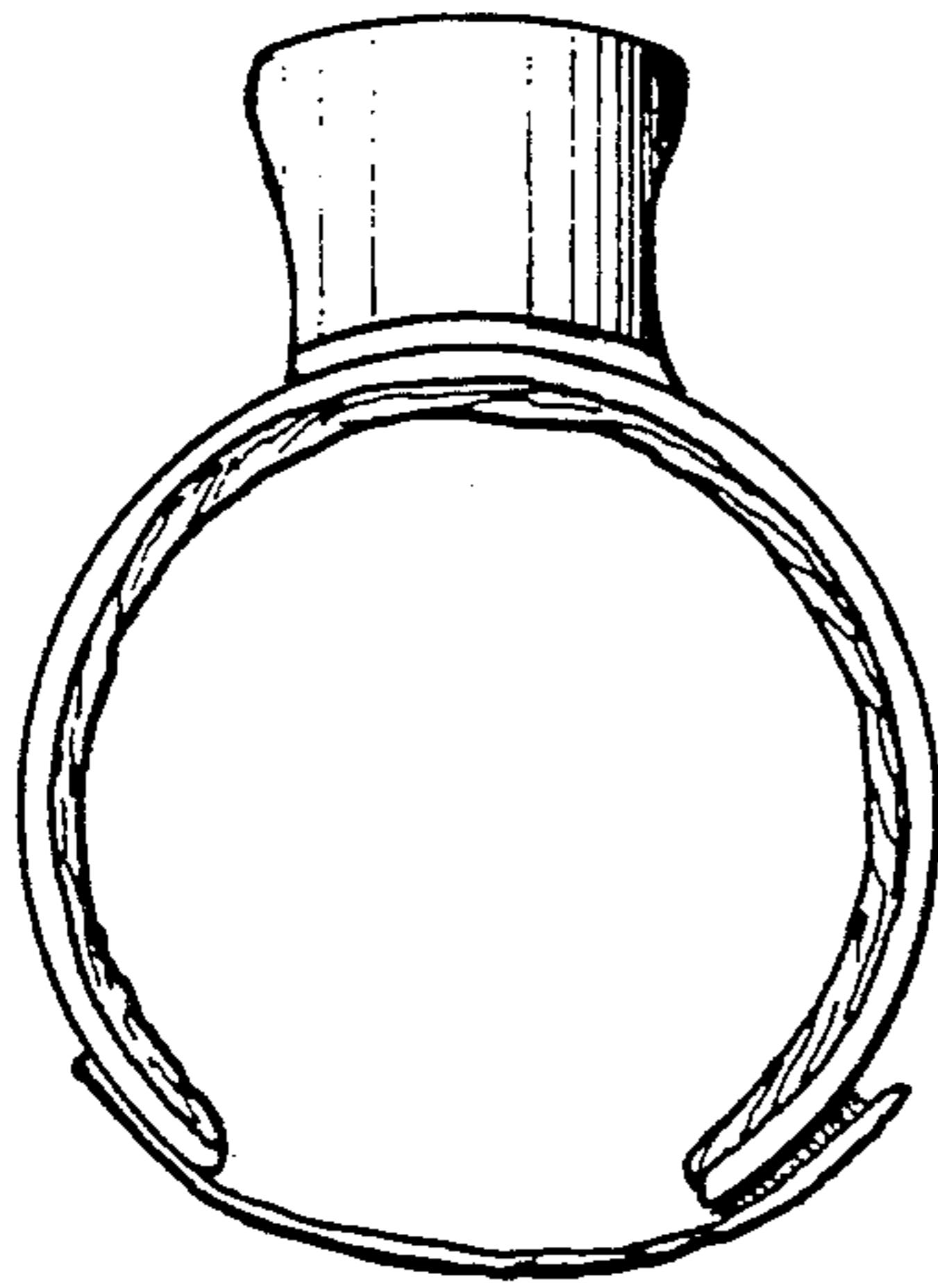


FIG. 6

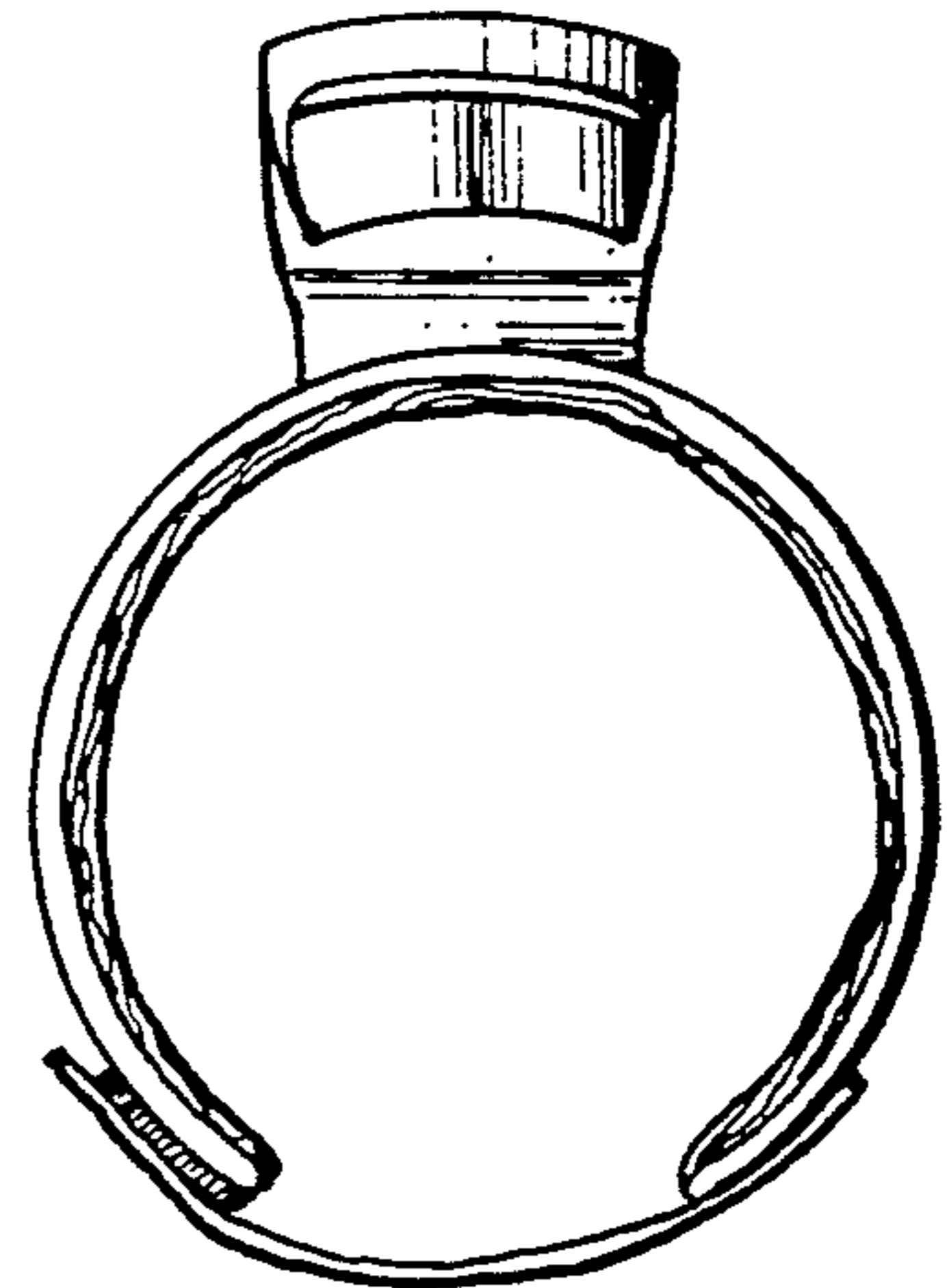


FIG. 7