



US00D327749S

United States Patent [19]

[11] Patent Number: **Des. 327,749**

Magnin et al.

[45] Date of Patent: **** Jul. 7, 1992**

[54] ADJUSTIBLE TABLE LAMP

[75] Inventors: **Patrick Magnin**, Geneva, Switzerland; **Santiago Miranda**; **Perry A. King**, both of Milan, Italy

[73] Assignee: **Flos S.p.A.**, Brescia, Italy

[**] Term: **14 Years**

[21] Appl. No.: **495,794**

[22] Filed: **Mar. 16, 1990**

[30] Foreign Application Priority Data

Sep. 19, 1989 [IT]	Italy	7067/89
[52] U.S. Cl.		D26/63
[58] Field of Search		D26/60-66;
		362/410-414, 418, 419, 428, 269, 275, 287, 401, 402

[56] References Cited

U.S. PATENT DOCUMENTS

D. 290,521	6/1987	Engle	D26/65 X
D. 310,727	9/1990	Lu	D26/63
D. 310,728	9/1990	Lu	D26/65
3,790,773	2/1974	Sapper	362/401
4,892,278	1/1990	Huang	362/427 X

OTHER PUBLICATIONS

Abitare, Jul. 8, 1989, p. 16, Floor Lamp.

Primary Examiner—Susan J. Lucas
Attorney, Agent, or Firm—McGlew & Tuttle

[57] CLAIM

The ornamental design for an adjustably table lamp, as shown and described.

DESCRIPTION

FIG. 1 is a perspective view of an adjustable table lamp showing our new design;

FIG. 2 is a side elevational side thereof on an enlarged scale, the opposite side being a mirror image;

FIG. 3 is a top plan view thereof on an enlarged scale;

FIG. 4 is a bottom plan view thereof on an enlarged scale;

FIG. 5 is a front elevational view thereof on an enlarged scale;

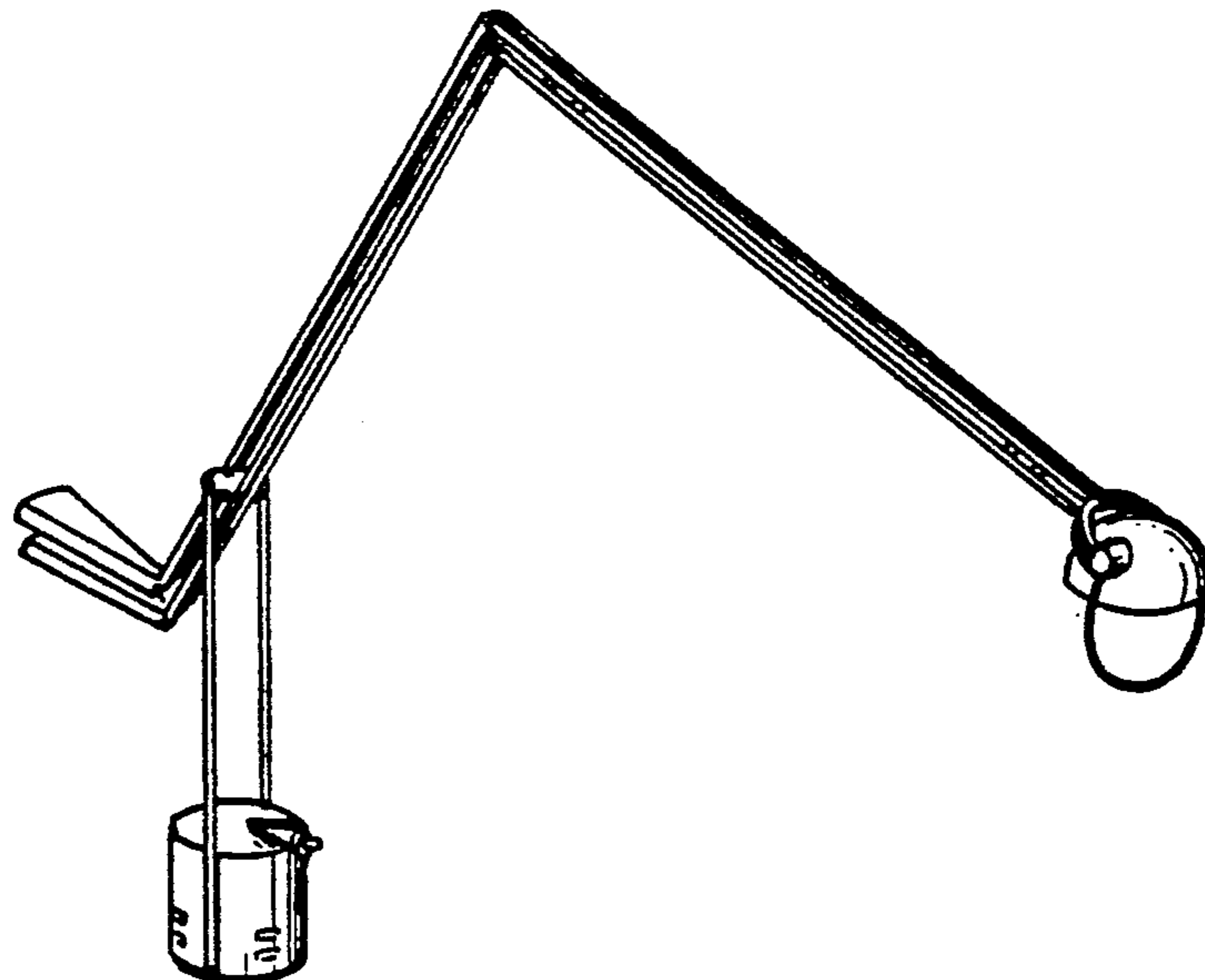
FIG. 6 is a rear elevational view thereof on an enlarged scale;

FIG. 7 is a side elevational view of a second embodiment of our new design, the opposite side being a mirror image;

FIG. 8 is a top plan view thereof;

FIG. 9 is a front elevational view thereof; and,

FIG. 10 is a bottom plan view thereof.



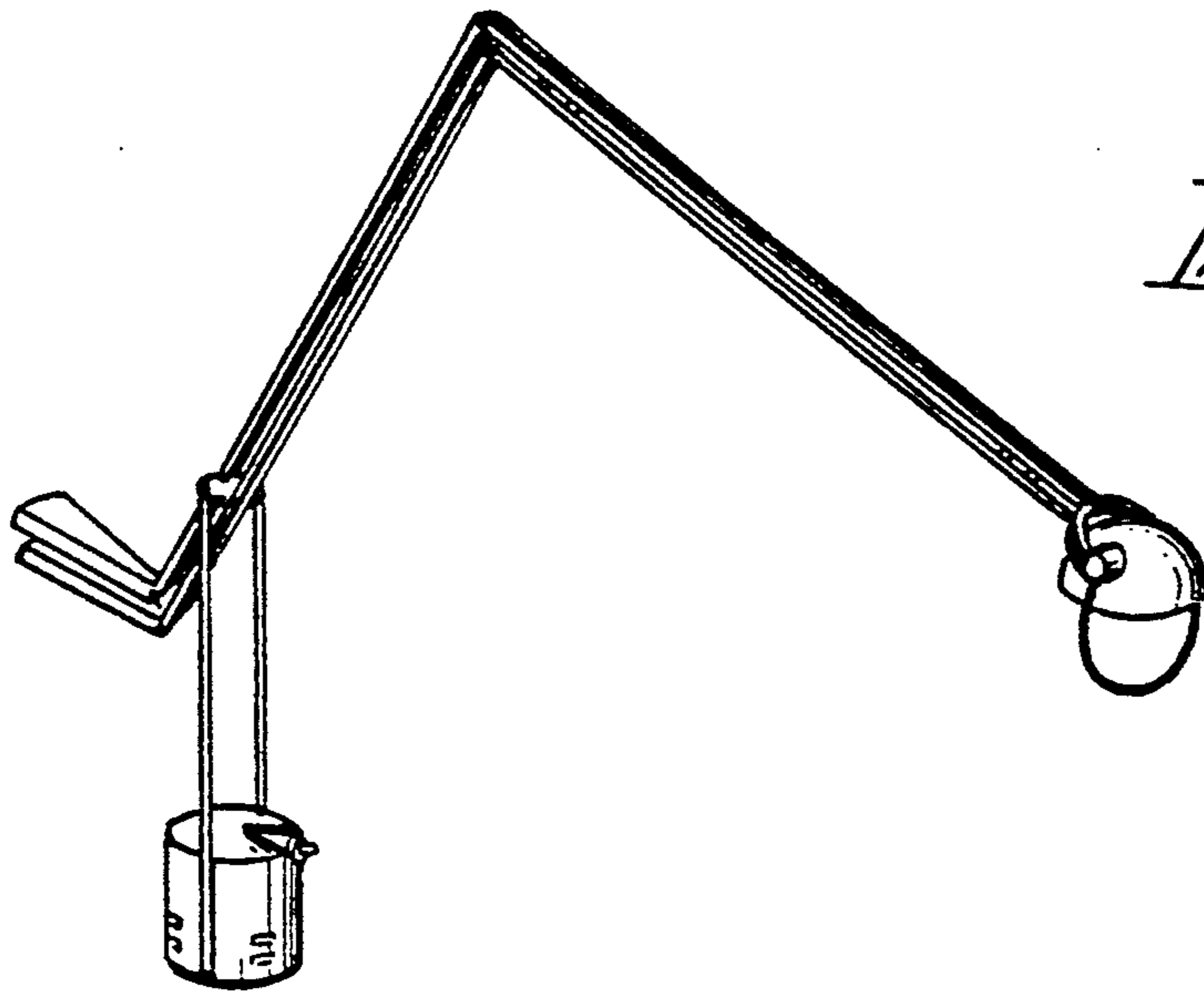


Fig. 1

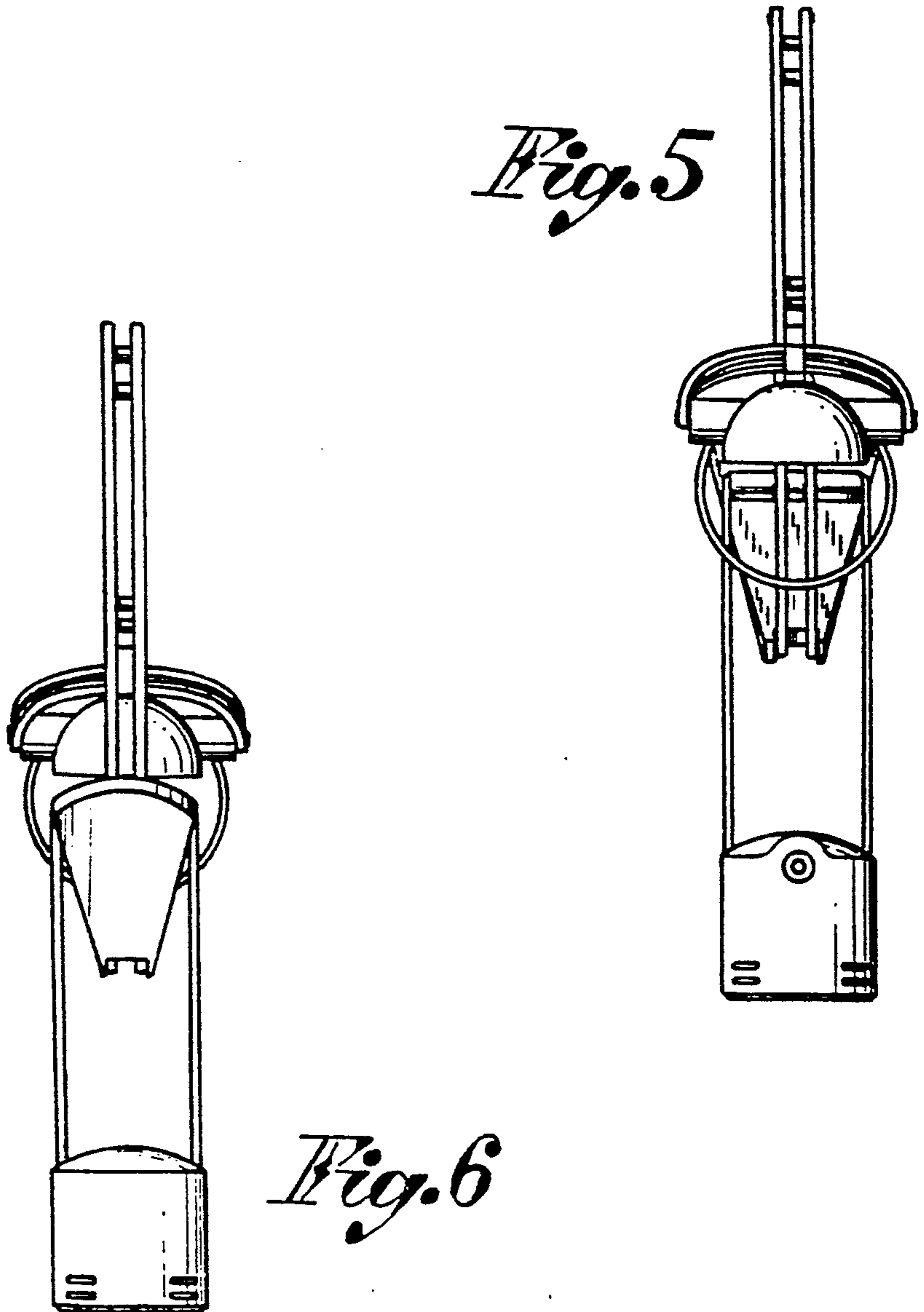


Fig. 5

Fig. 6

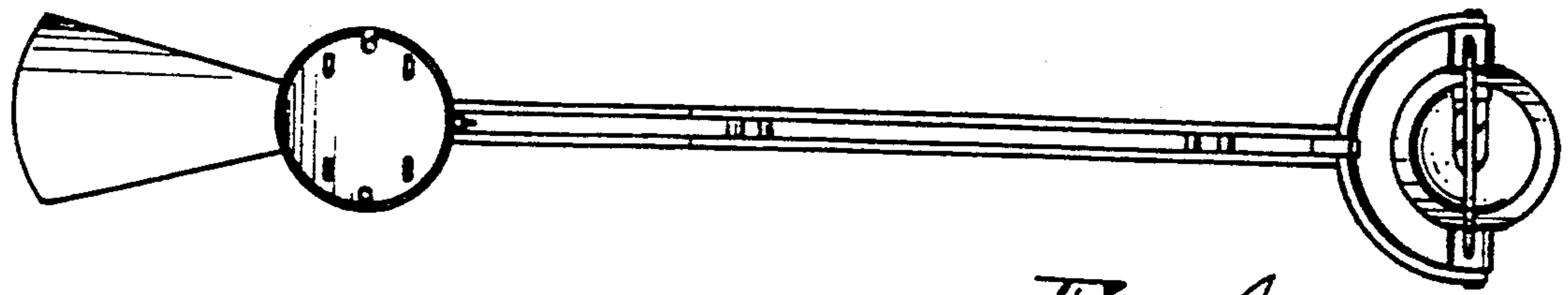


Fig. 4

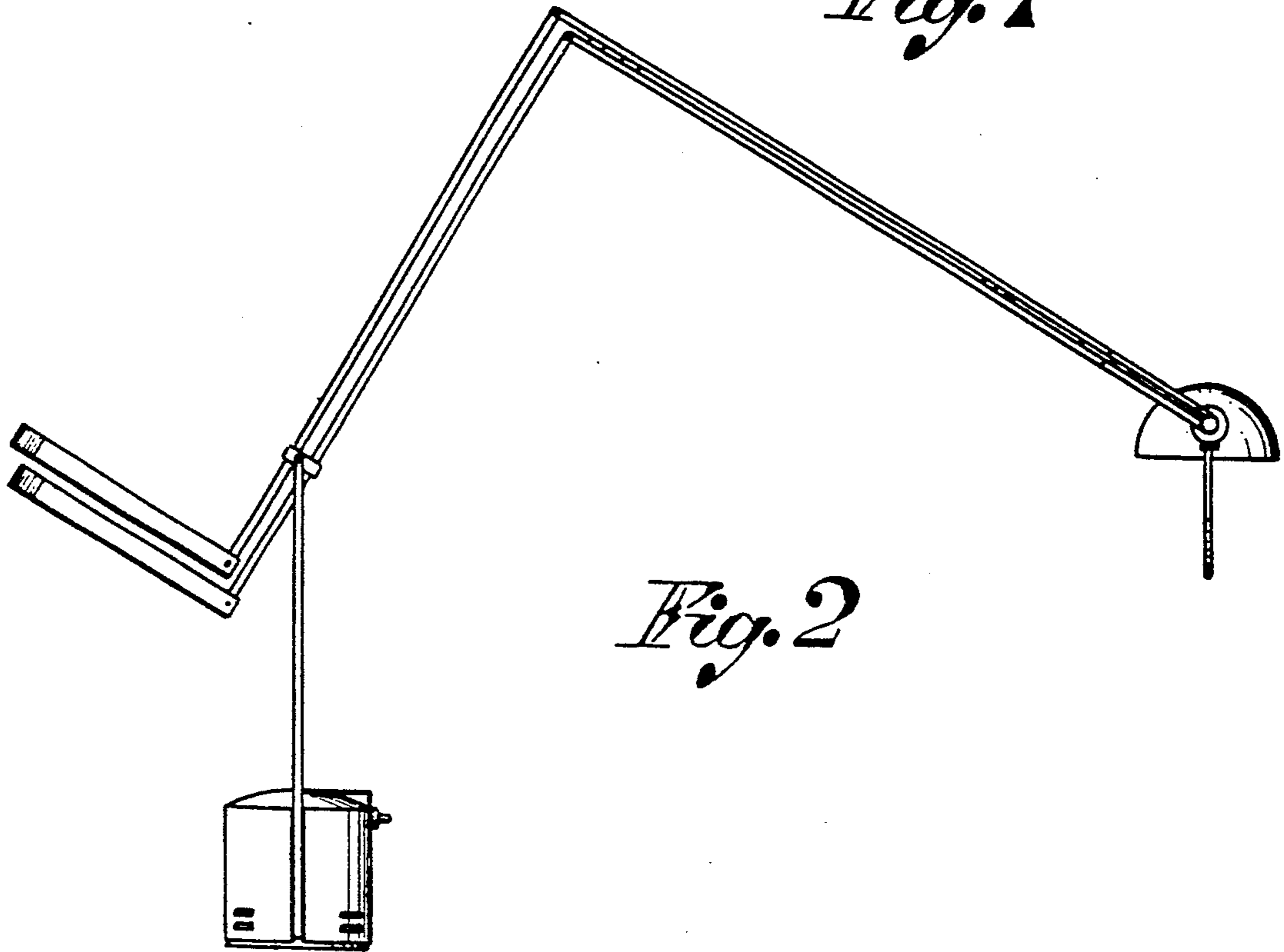


Fig. 2

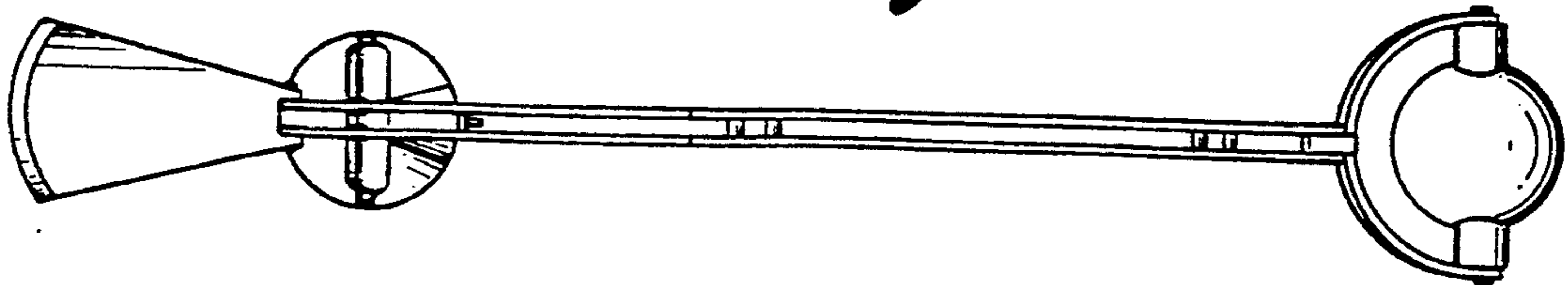


Fig. 3

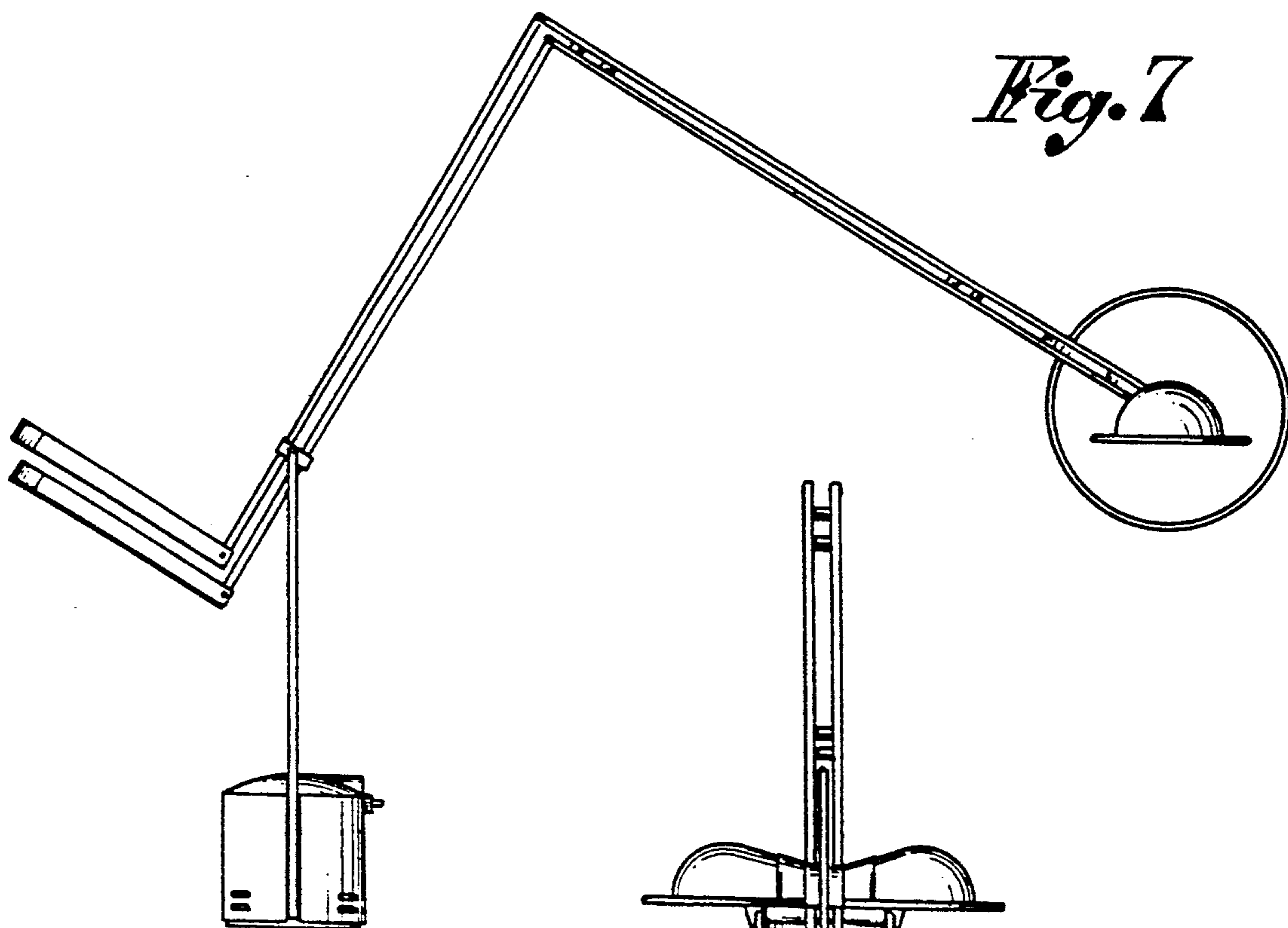


Fig. 7

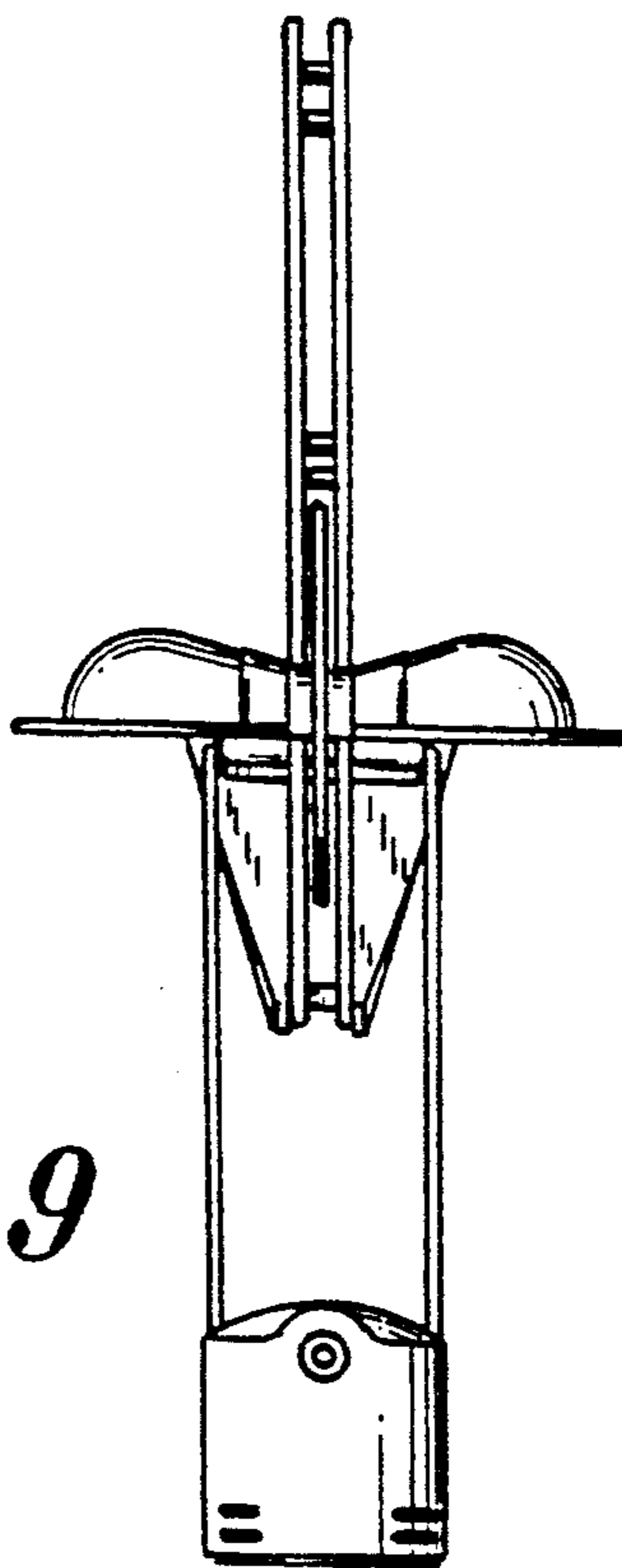


Fig. 9

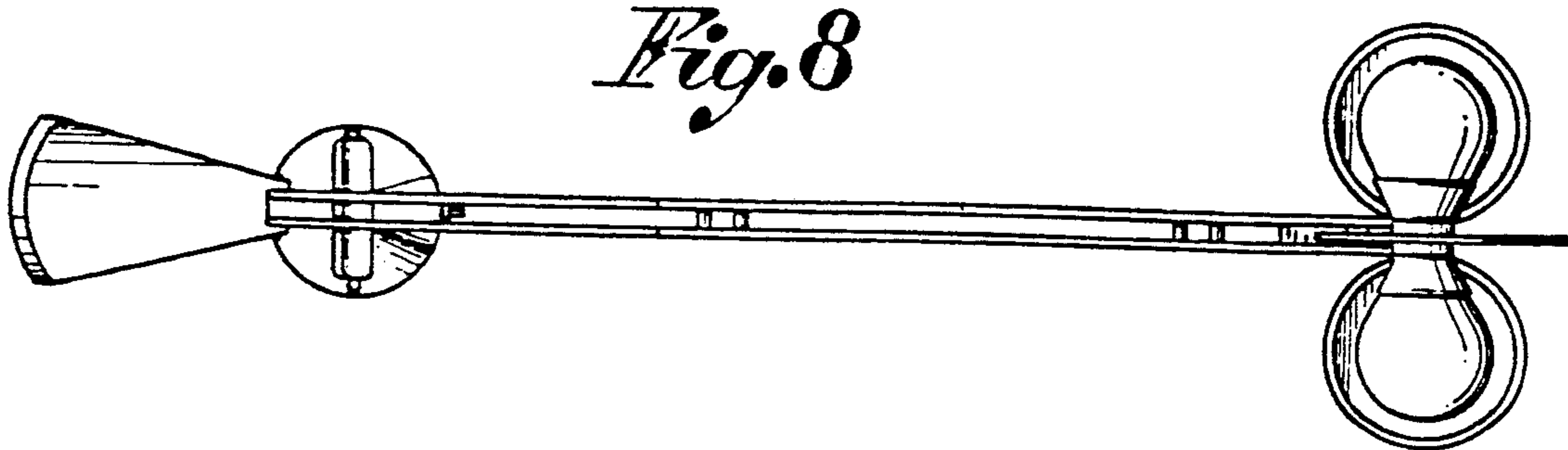


Fig. 8

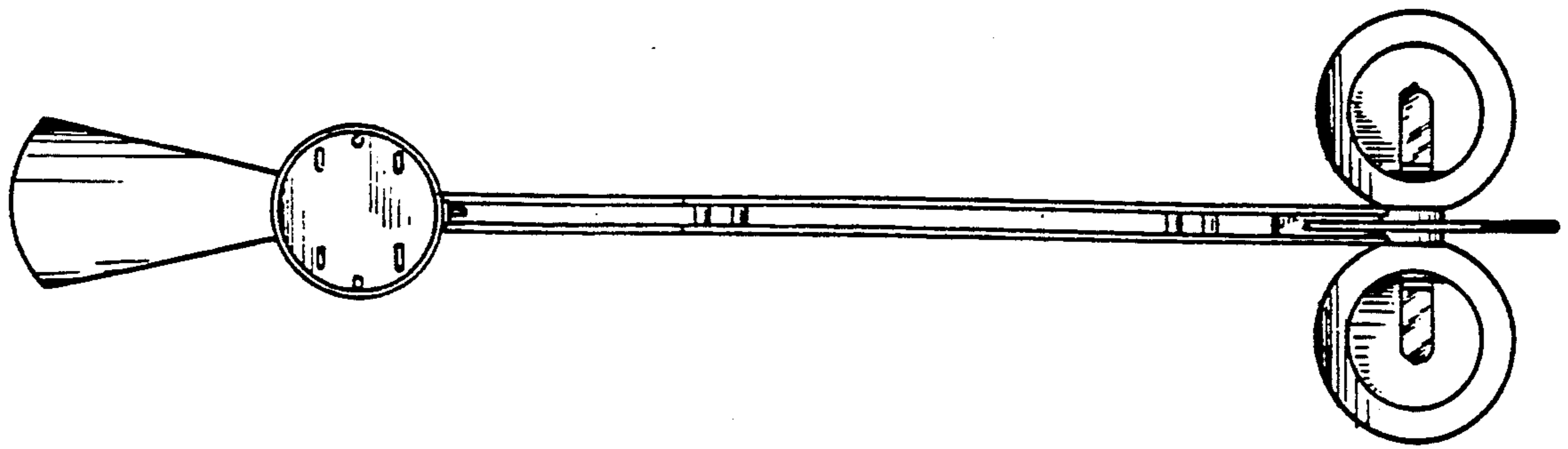


Fig. 10