



US00D327745S

United States Patent [19]

Valentin

[11] Patent Number: **Des. 327,745**

[45] Date of Patent: **** Jul. 7, 1992**

[54] EXTRUSION FOR USE IN THE CONSTRUCTION OF A WINDOW

[75] Inventor: **Volker S. Valentin, Indiana, Pa.**

[73] Assignee: **L. B. Plastics Limited, Belper, England**

[**] Term: **14 Years**

[21] Appl. No.: **539,039**

[22] Filed: **Jun. 15, 1990**

[52] U.S. Cl. **D25/124**

[58] Field of Search **D25/52, 119-125; 49/501-502, 504, DIG. 1, DIG. 2; 52/171**

[56] References Cited

U.S. PATENT DOCUMENTS

4,799,332	1/1989	Haas	49/504
4,944,118	7/1990	Biro	49/504

Primary Examiner—A. Hugo Word

Assistant Examiner—Doris Clark

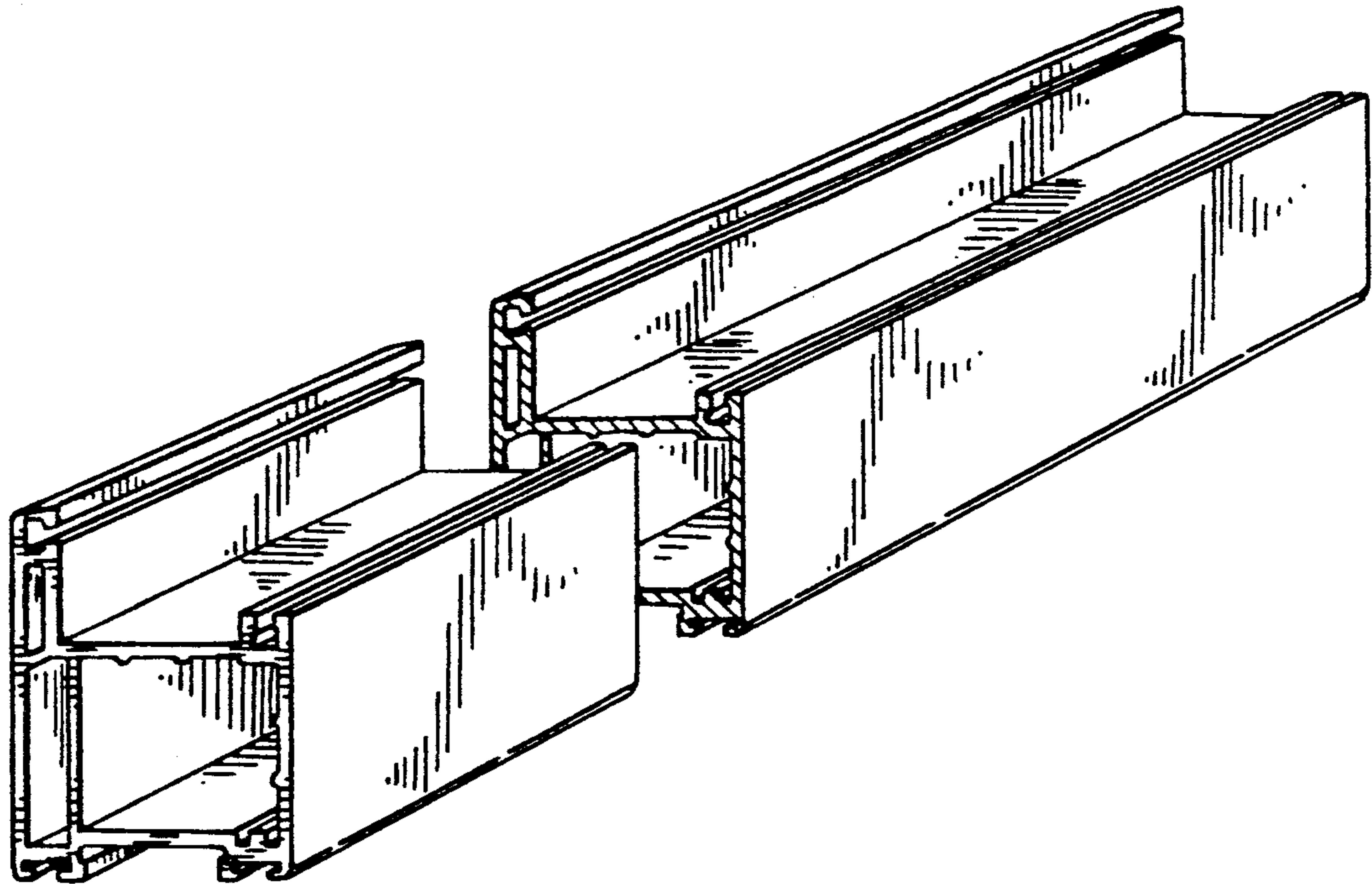
Attorney, Agent, or Firm—W. Thad Adams, III

[57] CLAIM

The ornamental design for an extrusion for use in the construction of a window, as shown and described.

DESCRIPTION

FIG. 1 is a perspective view of an extrusion for use in the construction of a window showing my new design, the extrusion being broken in the center to indicate indeterminate length; and, FIG. 2 is an end elevational view thereof.



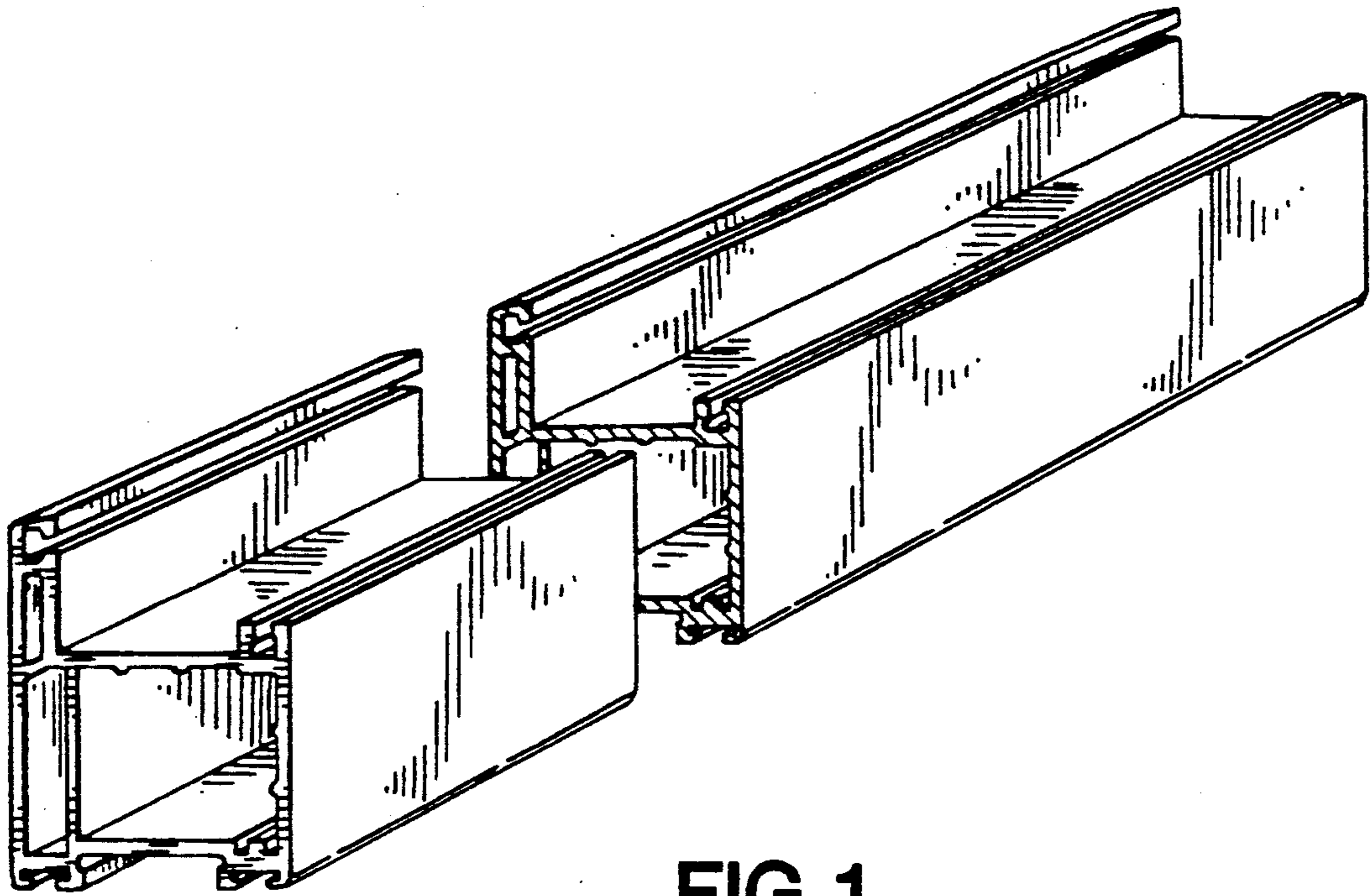


FIG. 1

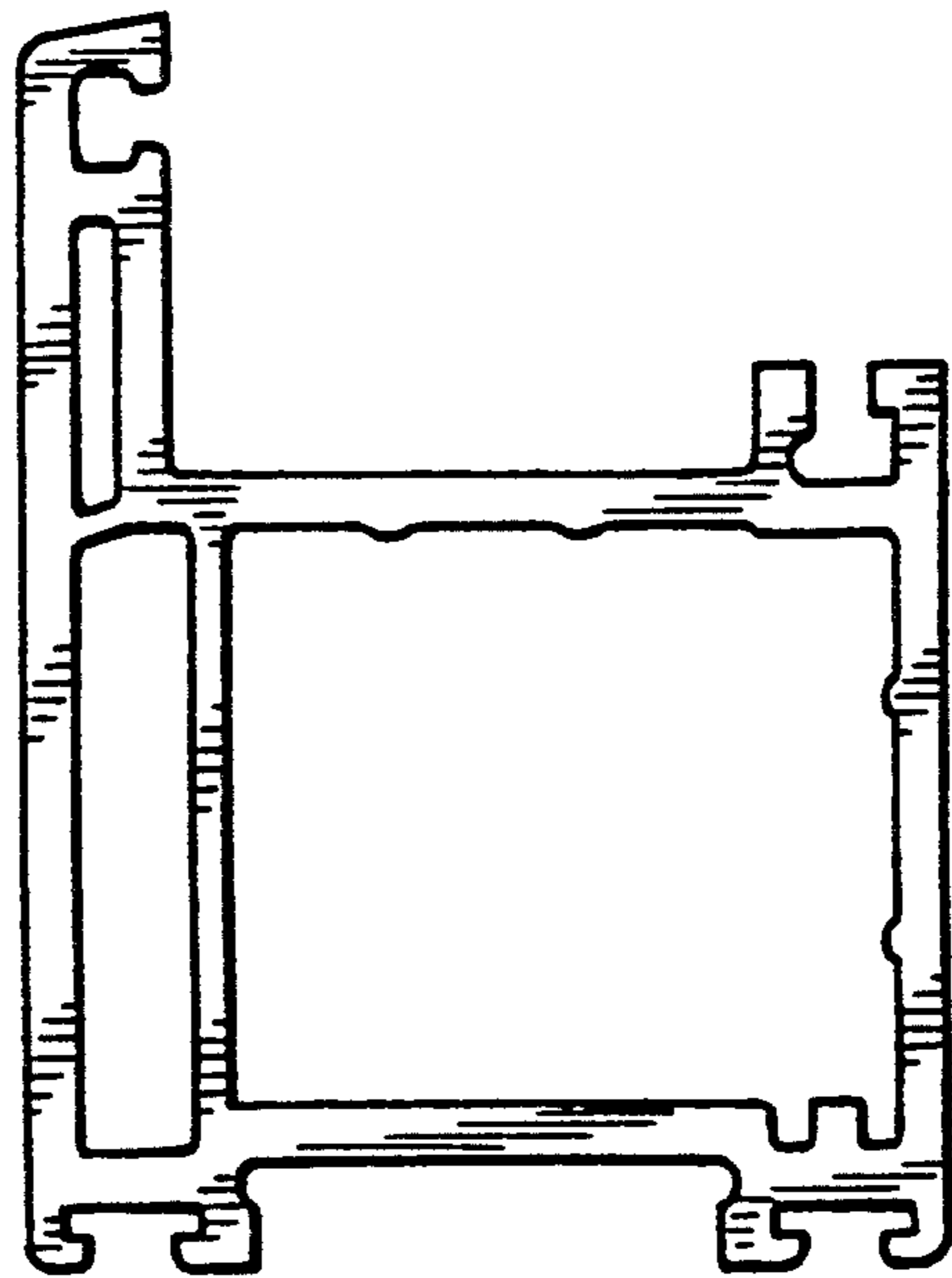


FIG. 2