



US00D327743S

United States Patent [19]

Frenkel et al.

[11] Patent Number: **Des. 327,743**

[45] Date of Patent: **** Jul. 7, 1992**

[54] **SAMPLE CUP HOLDER OR SIMILAR ARTICLE**

[75] Inventors: **Dina Frenkel, Plano, Tex.; Fareed Kureshy, Westwood, Mass.; William J. Lawrence, Garland, Tex.**

[73] Assignee: **PB Diagnostic Systems, Inc., Westwood, Mass.**

[**] Term: **14 Years**

[21] Appl. No.: **384,671**

[22] Filed: **Jul. 24, 1989**

[52] U.S. Cl. **D24/229; D24/226; D24/227**

[58] Field of Search **D24/226, 227, 228, 229, D24/230; 206/365; 422/65, 99, 100**

[56] **References Cited**

U.S. PATENT DOCUMENTS

D. 175,361	8/1955	Orenick	D24/229
D. 205,033	6/1966	Barrantes	D24/229
D. 240,239	6/1976	Calandrino	D24/230
D. 249,706	9/1978	Adamski	D24/230
D. 306,704	3/1990	Christiansen et al.	D24/229

3,233,804	2/1966	Dahm	D24/230
3,540,856	11/1970	Rochte et al.	422/65
4,518,076	5/1985	Feisel et al.	422/65
4,803,050	2/1989	Mack	422/65
4,925,630	5/1990	Grunwald	422/65

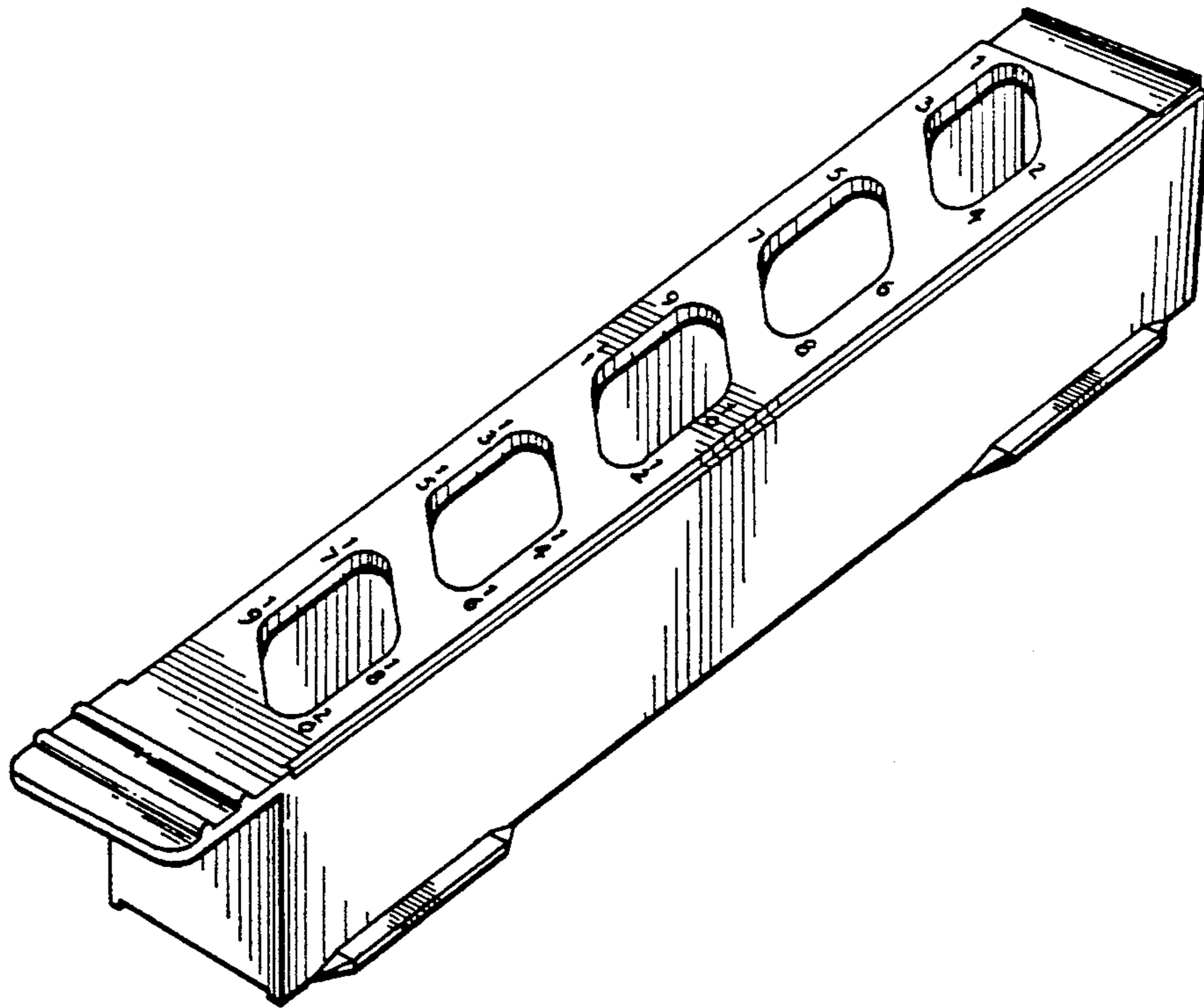
Primary Examiner—A. Hugo Word
Assistant Examiner—Celia A. Murphy
Attorney, Agent, or Firm—Gaetano D. Maccarone

[57] **CLAIM**

The ornamental design for a sample cup holder or similar article, as shown and described.

DESCRIPTION

FIG. 1 is a perspective view of sample cup holder or similar article showing our new design;
FIG. 2 is a fragmentary exploded view thereof, the sample cup being shown in broken lines for illustrative purposes only and forming no part of the claimed design;
FIG. 3 is a right side elevational view thereof;
FIG. 4 is a left side elevational view thereof;
FIG. 5 is a front elevational view thereof;
FIG. 6 is a rear elevational view thereof;
FIG. 7 is a top plan view thereof; and,
FIG. 8 is a bottom plan view thereof.



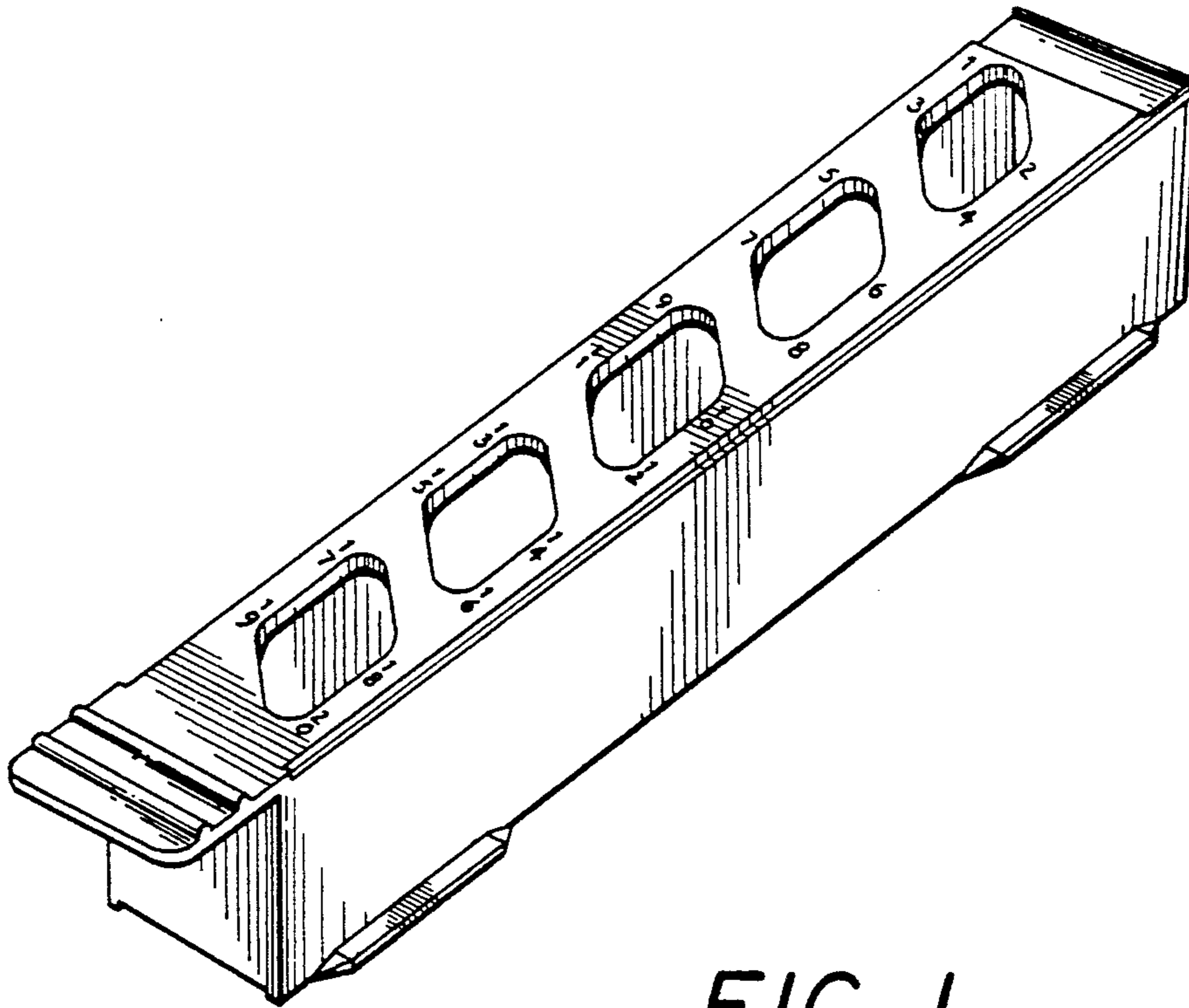


FIG. 1

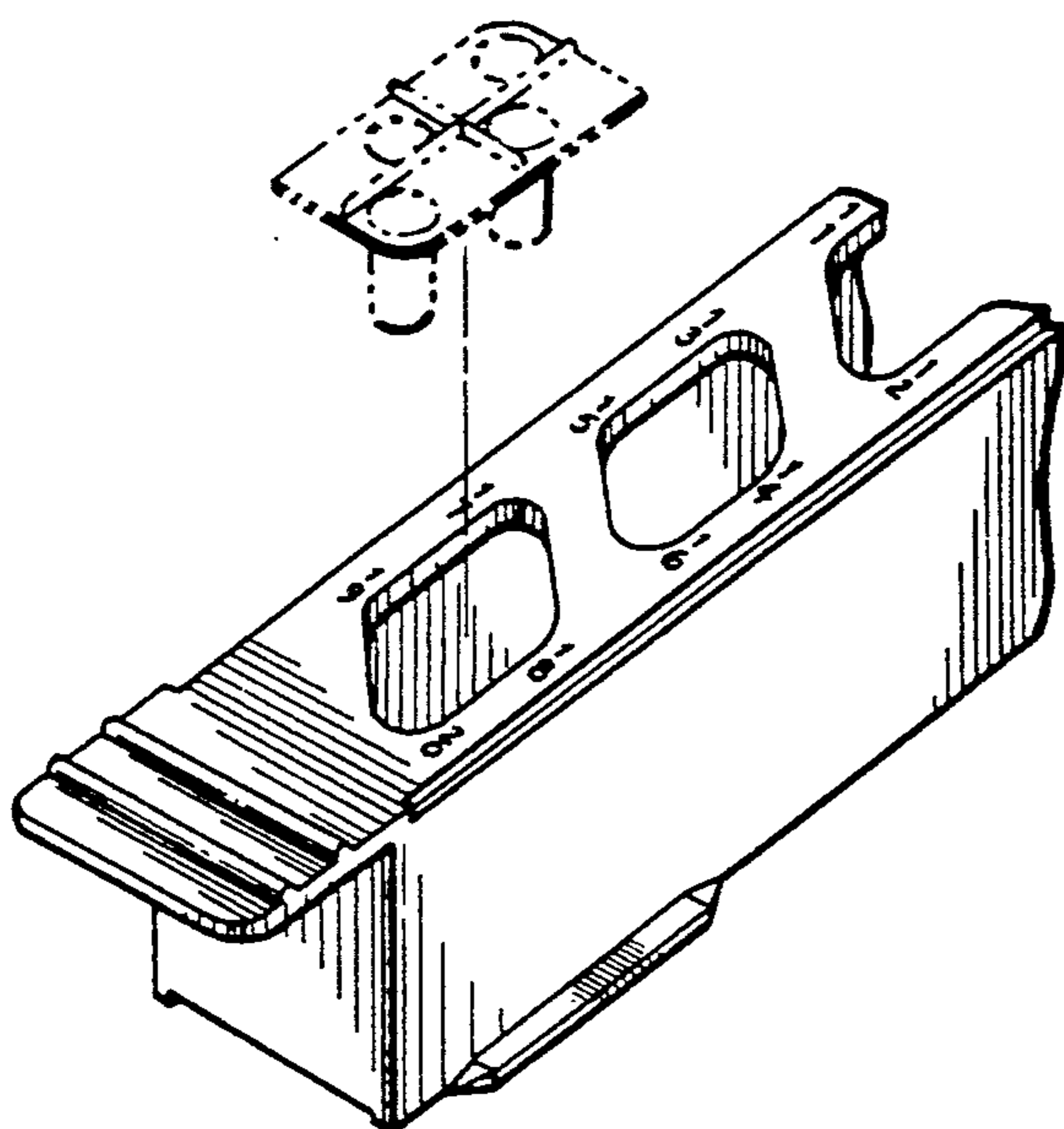


FIG. 2

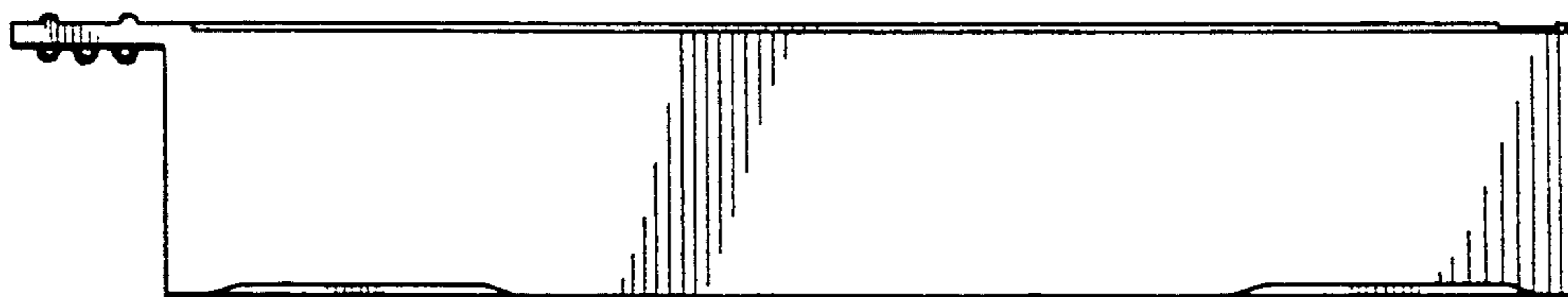


FIG. 3

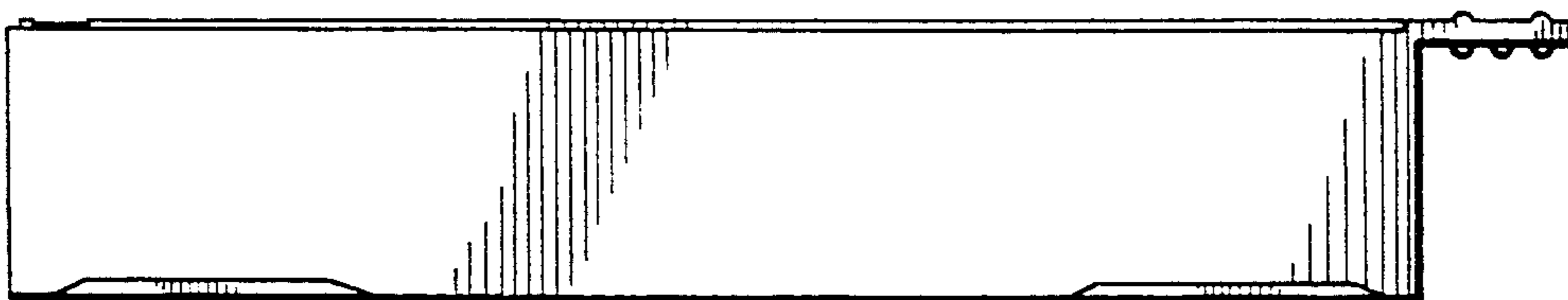


FIG. 4

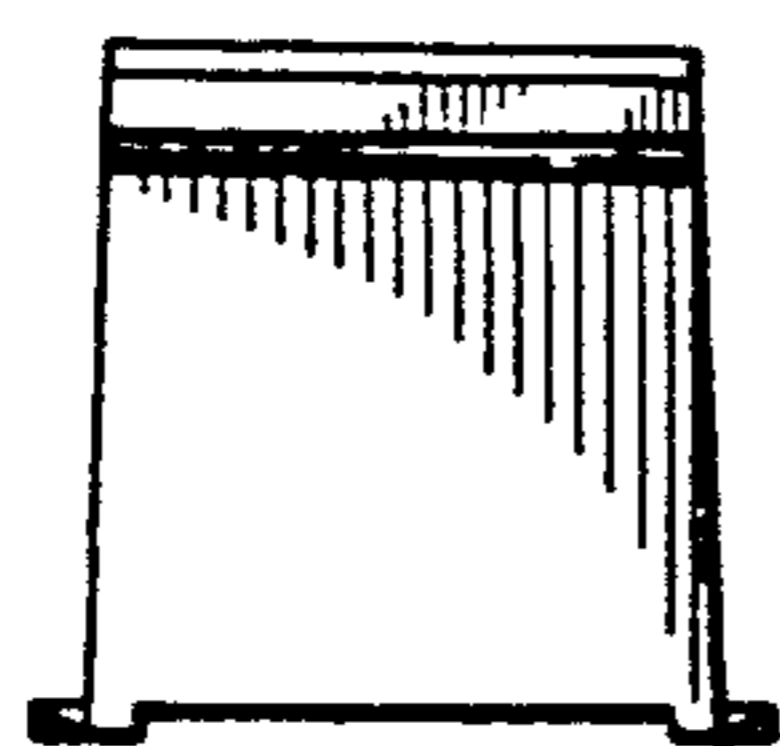


FIG. 5

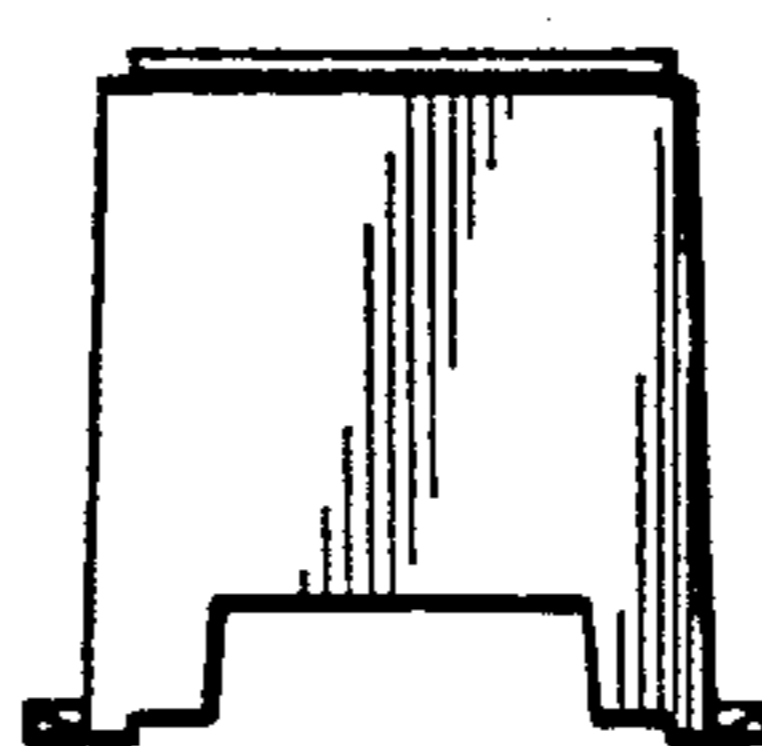


FIG. 6

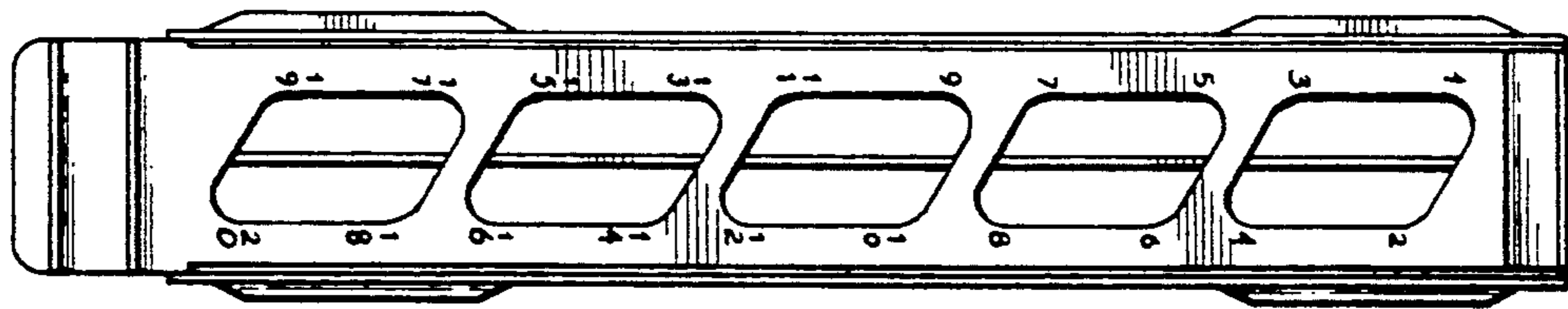


FIG. 7

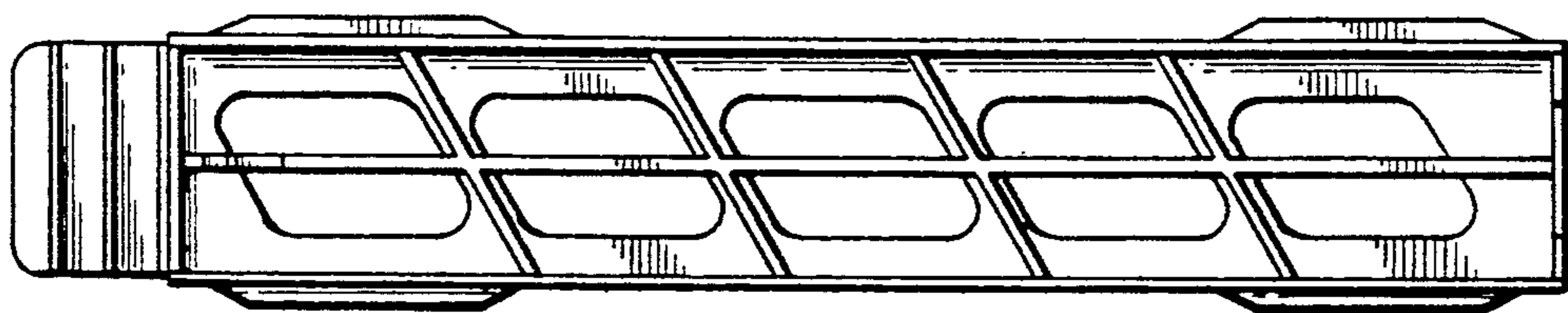


FIG. 8