



US00D327742S

# United States Patent [19]

Neely et al.

[11] Patent Number: **Des. 327,742**

[45] Date of Patent: **\*\* Jul. 7, 1992**

[54] **HAND HELD ACUPRESSURE APPLIANCE**

[76] Inventors: **Barbara W. Neely**, 470 Neely Rd., Sharpsburg, Ga. 30277; **Lynn M. Whiteside**, 659 Happy Valley Cir., Newnan, Ga. 30263

[\*\*] Term: **14 Years**

[21] Appl. No.: **692,066**

[22] Filed: **Apr. 26, 1991**

[52] U.S. Cl. .... **D24/214**

[58] Field of Search ..... **D24/214, 200; 128/57; 606/204; D8/74, 72**

[56] **References Cited**

### U.S. PATENT DOCUMENTS

|           |         |                   |          |
|-----------|---------|-------------------|----------|
| 763,814   | 6/1904  | Turner, Jr. ....  | 128/97.1 |
| 937,596   | 10/1909 | Gray et al. ....  | 128/97.1 |
| 1,387,996 | 8/1921  | Menger .          |          |
| 2,171,376 | 8/1939  | Smith et al. .... | 128/97.1 |

|           |         |                 |           |
|-----------|---------|-----------------|-----------|
| 2,855,202 | 10/1958 | Kinne .....     | 128/76 R  |
| 3,159,160 | 12/1964 | Ullom .....     | 128/97.1  |
| 3,463,157 | 8/1969  | Hunt .....      | 128/76 R  |
| 4,308,861 | 1/1982  | Kelly .....     | 606/204 X |
| 4,319,574 | 3/1982  | Sun et al. .... | 606/204   |
| 4,557,262 | 12/1985 | Snow .....      | 606/204 X |

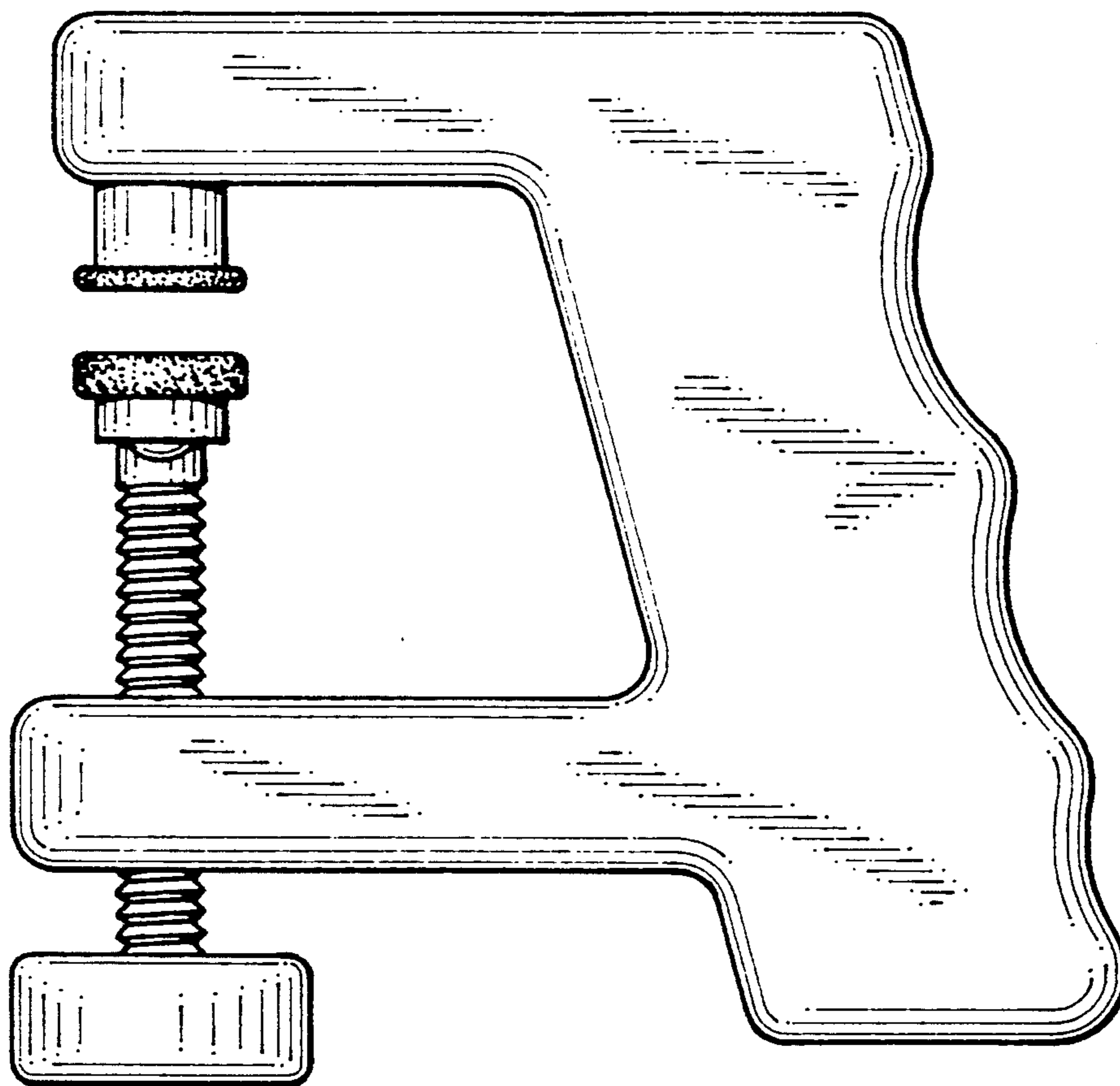
*Primary Examiner*—Stella Reid  
*Attorney, Agent, or Firm*—Timmons & Kelly

### [57] CLAIM

The ornamental design for a hand held acupressure appliance, as shown.

### DESCRIPTION

FIG. 1 is a front elevational view of a hand held acupressure appliance, shown our new design; FIG. 2 is a rear elevational view thereof; FIG. 3 is a right side elevational view thereof; FIG. 4 is a left side elevational view thereof; FIG. 5 is a top plan view thereof; and, FIG. 6 is a bottom plan view thereof.



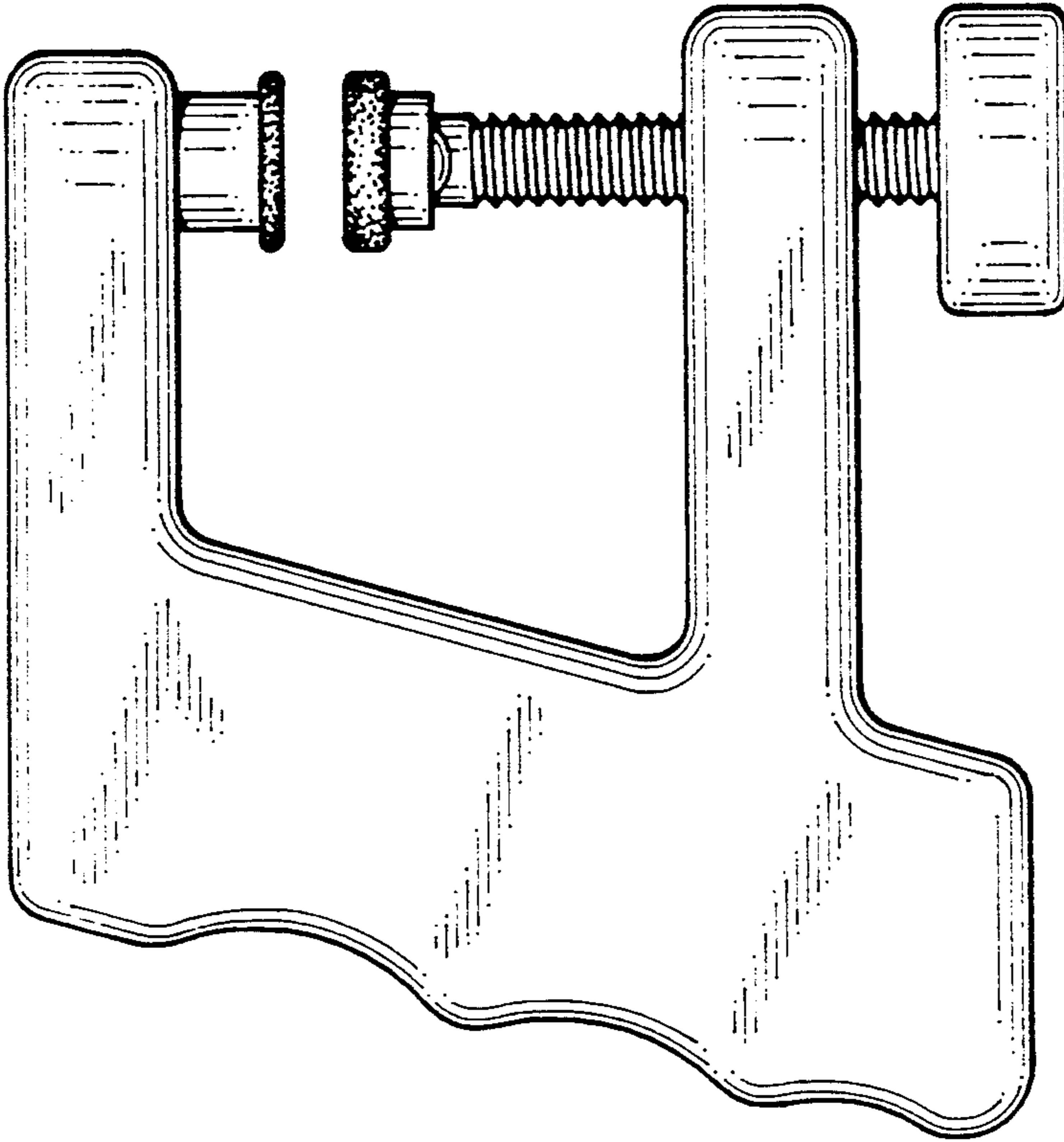


Fig. 3

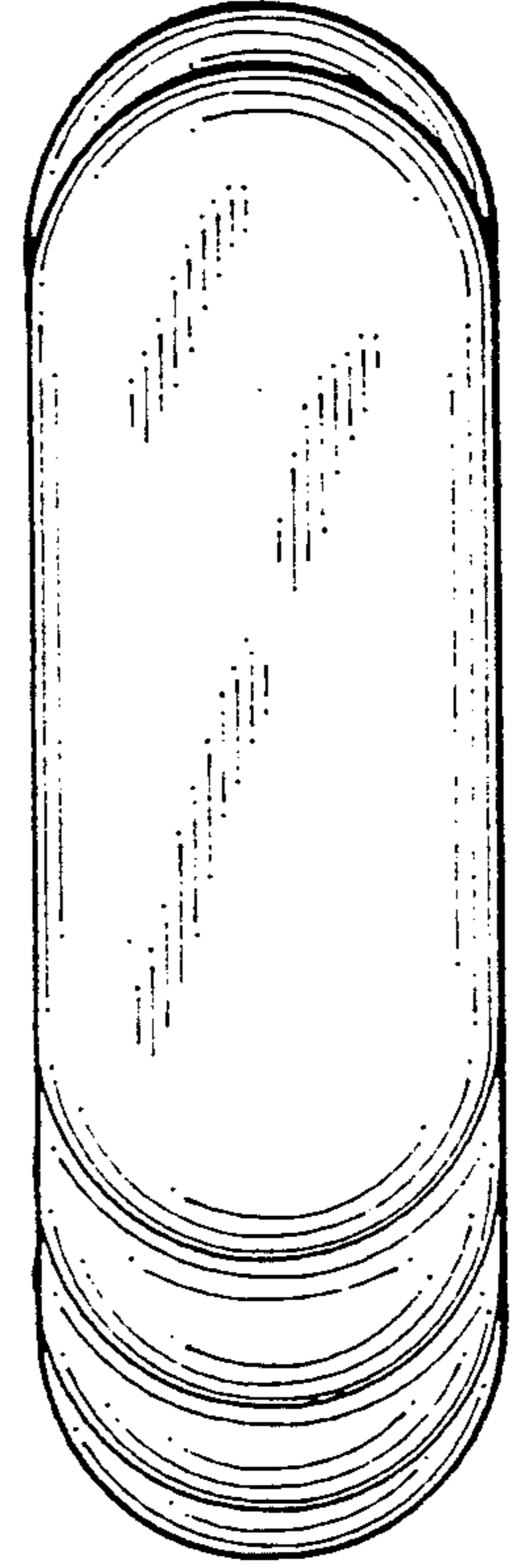


Fig. 5

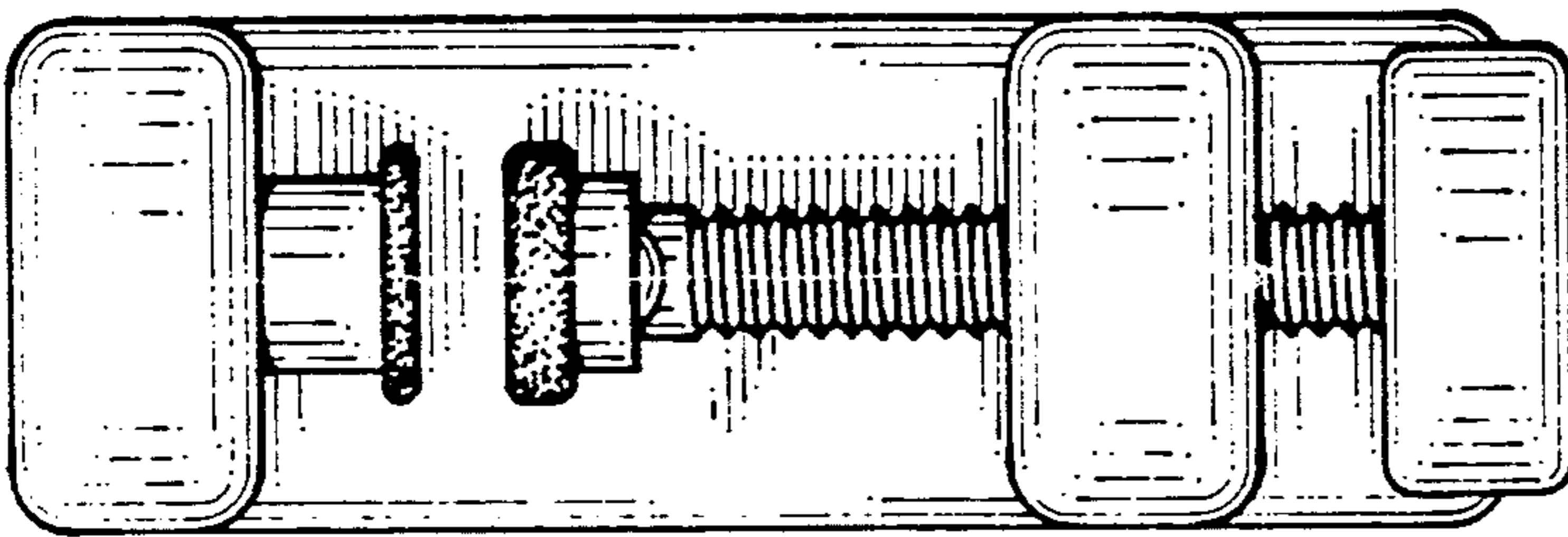


Fig. 1

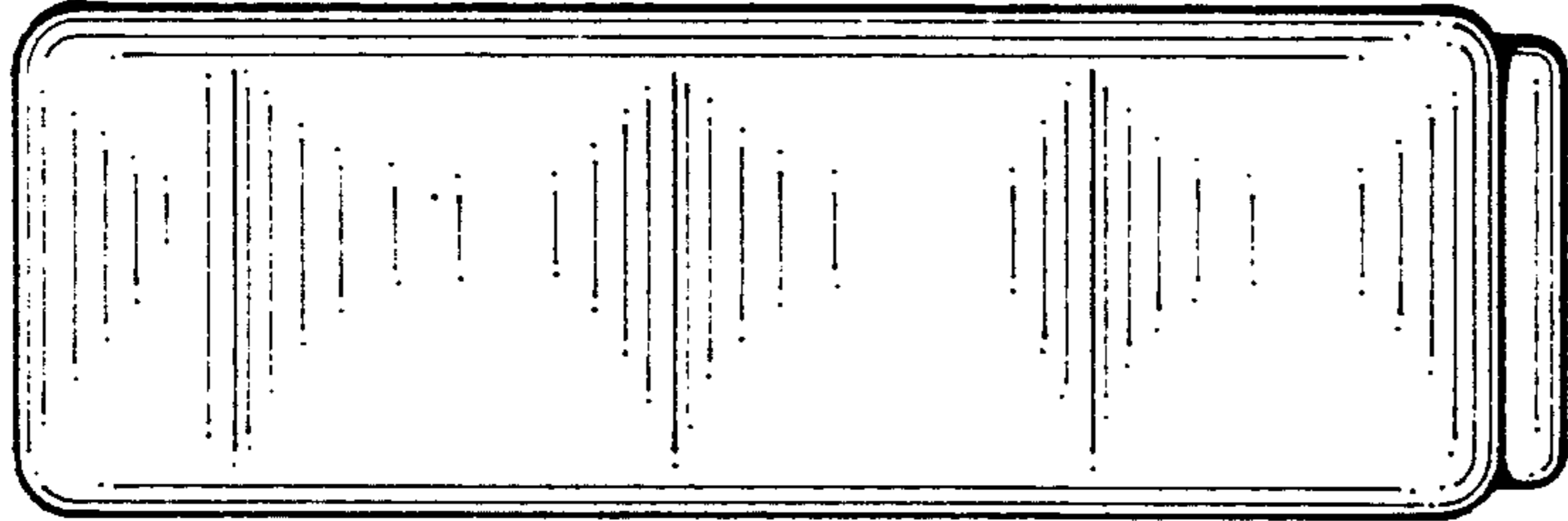


Fig. 2

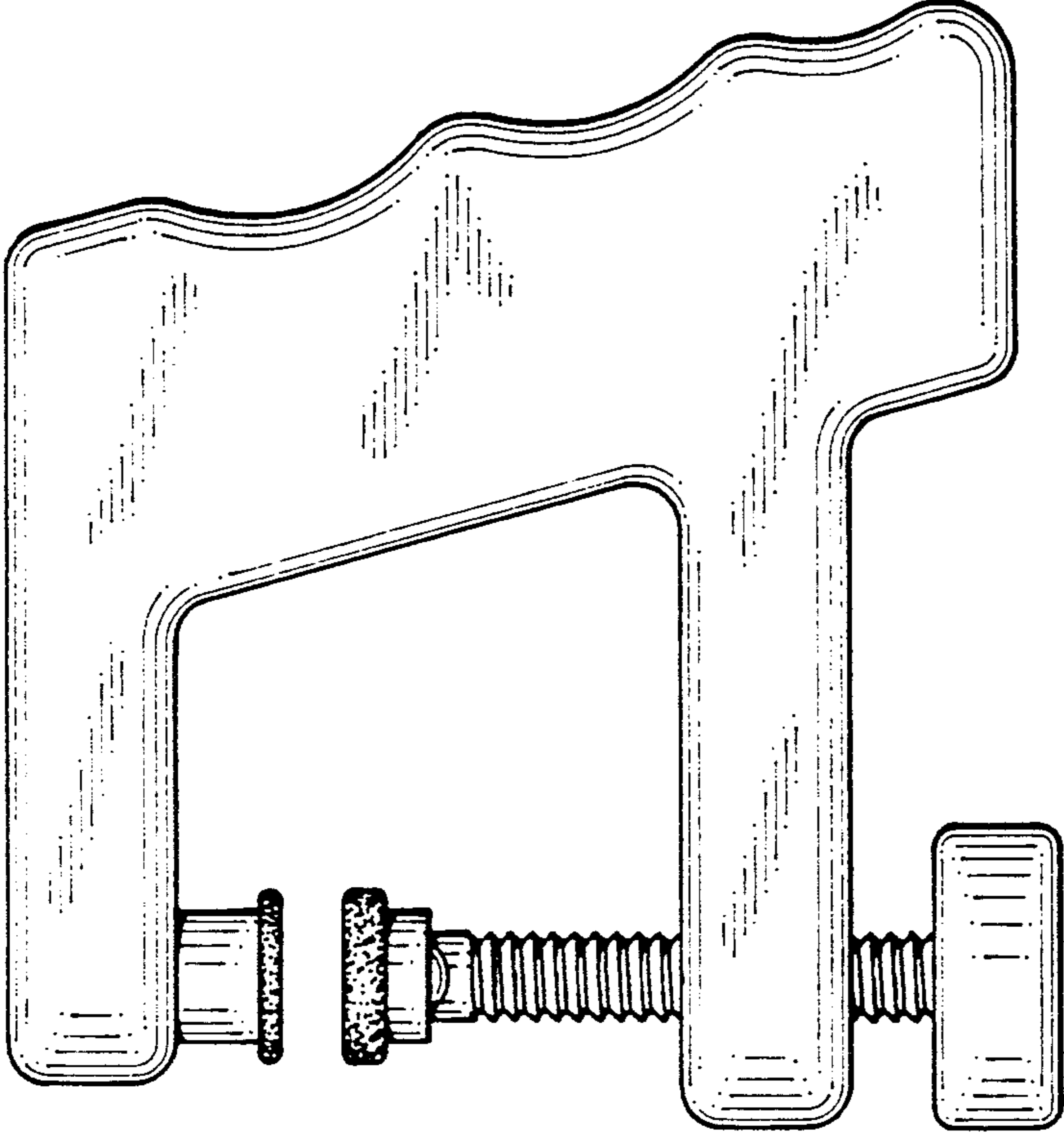


Fig. 4

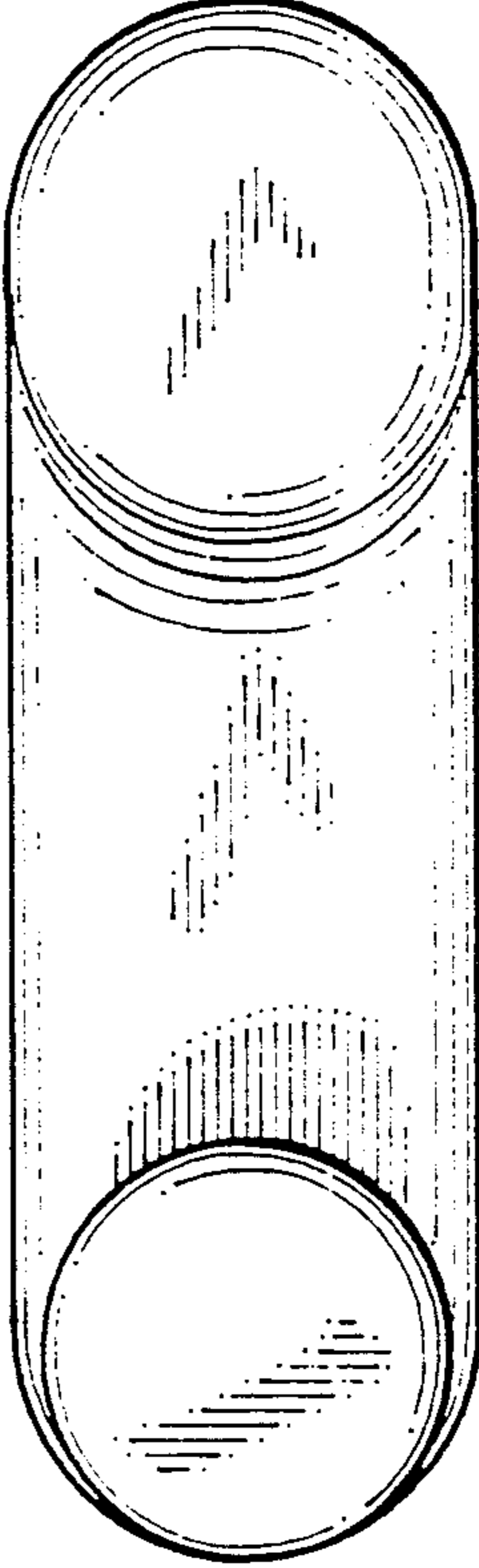


Fig. 6