



US00D327740S

# United States Patent [19]

[11] Patent Number: **Des. 327,740**

Arioka et al.

[45] Date of Patent: **\*\* Jul. 7, 1992**

[54] **ULTRASONIC SCANNING PROBE**

4,587,971 5/1986 Stolfi et al. .... 73/633 X  
4,917,096 4/1990 Englehart et al. .... 73/633 X

[75] Inventors: **Tetsuya Arioka, Tokyo; Shinji Ishida, Kanagawa, both of Japan**

*Primary Examiner*—Stella Reid  
*Attorney, Agent, or Firm*—Frishauf, Holtz, Goodman & Woodward

[73] Assignee: **Terumo Kabushiki Kaisha, Tokyo, Japan**

[\*\*] Term: **14 Years**

[57] **CLAIM**

[21] Appl. No.: **471,120**

The ornamental design for a ultrasonic scanning probe, as shown and described.

[22] Filed: **Jan. 26, 1990**

**DESCRIPTION**

[30] **Foreign Application Priority Data**

Aug. 2, 1989 [JP] Japan ..... 28347/1989

[52] U.S. Cl. .... **D24/156**

[58] Field of Search ..... D24/186, 187; 73/633, 73/644; 128/660.01, 660.03, 662.06, 399

FIG. 1 is a perspective view of an ultrasonic scanning probe showing our new design; FIG. 2 is a front elevational view thereof, the rear elevational view being identical; FIG. 3 is a left side elevational view thereof; FIG. 4 is a right side elevational view thereof; FIG. 5 is a top plan view thereof; FIG. 6 is a bottom plan view thereof; and, FIG. 7 is a cross-sectional view thereof, taken along line VII—VII of FIG. 5.

[56] **References Cited**

**U.S. PATENT DOCUMENTS**

4,577,506 3/1986 Poole et al. .... 73/633

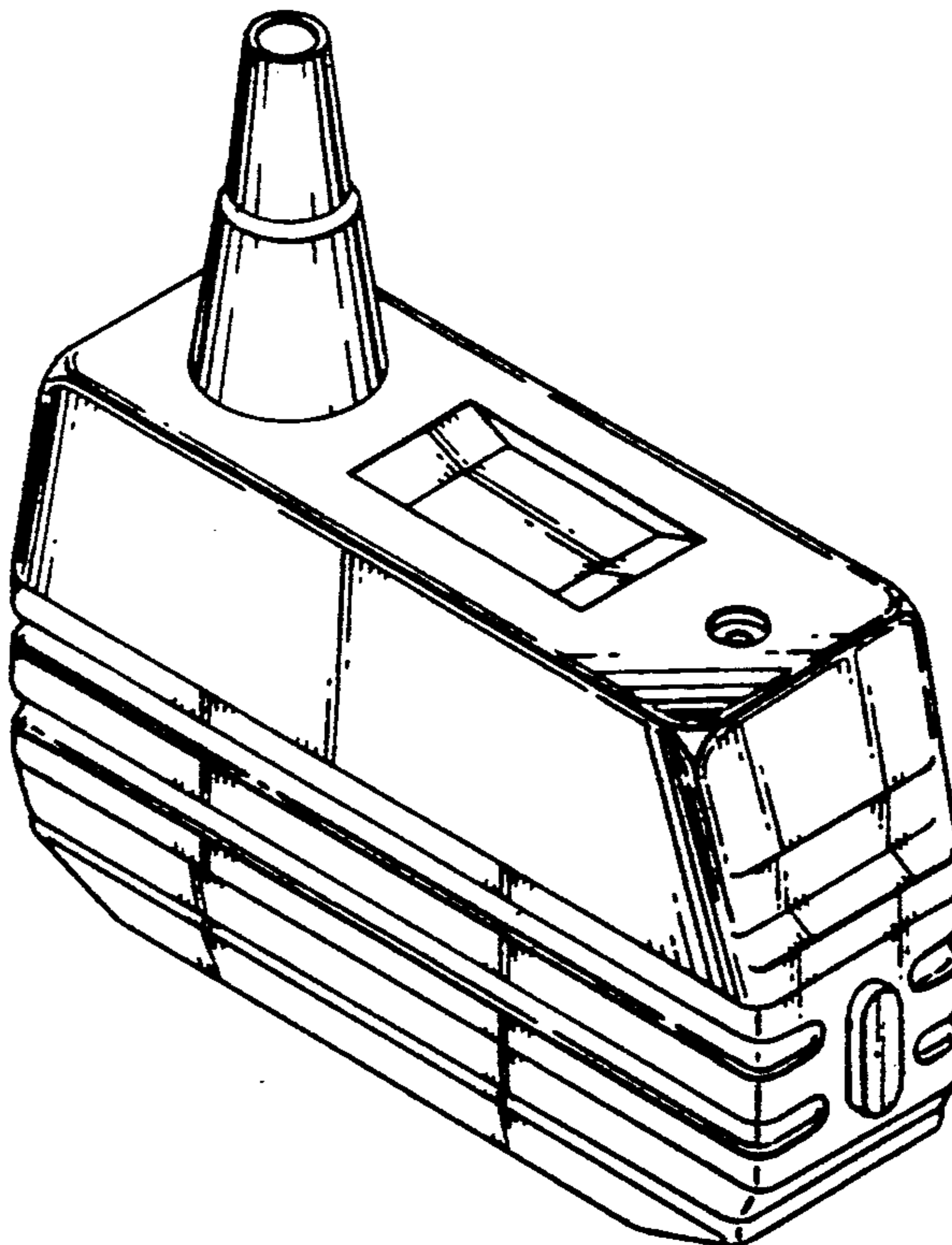


FIG.1

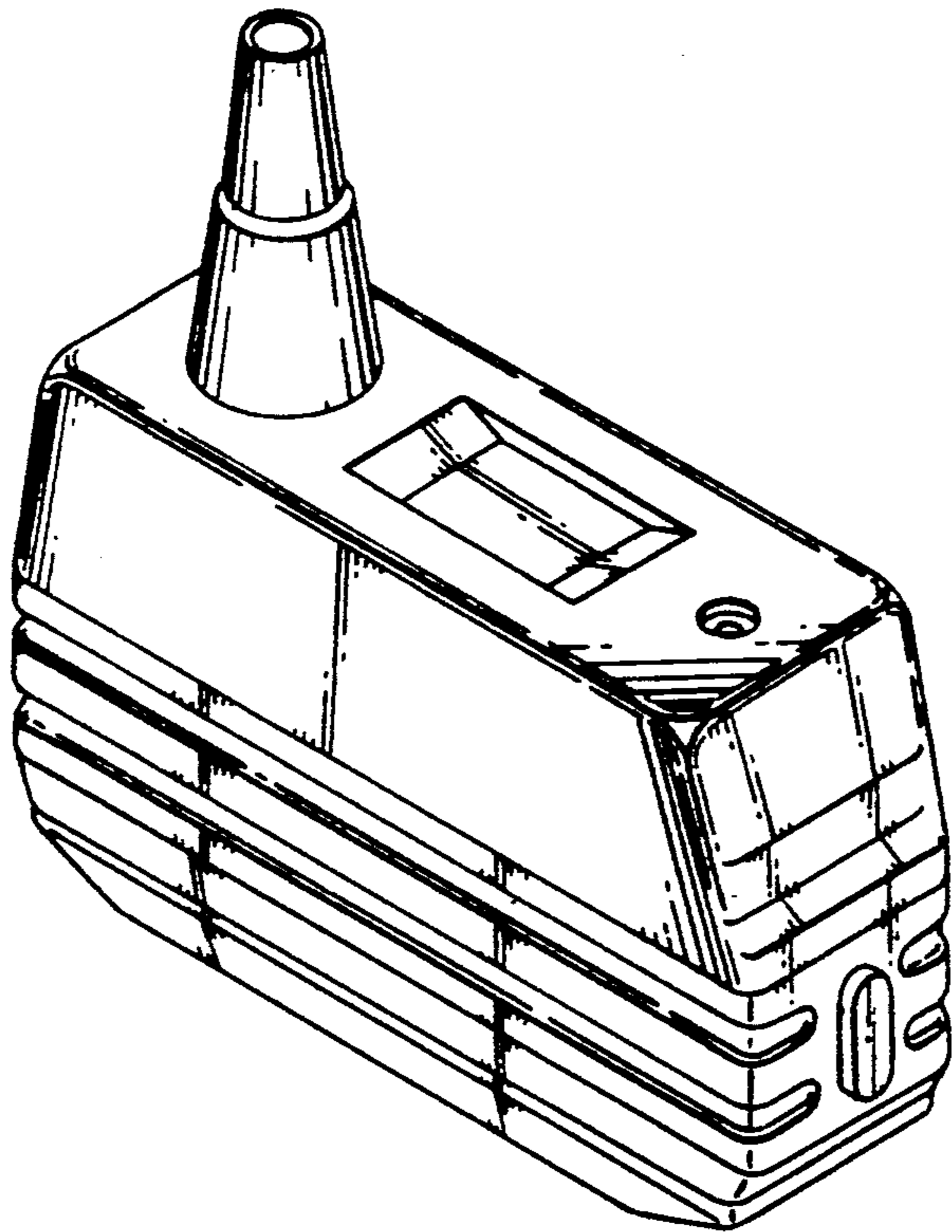


FIG.3

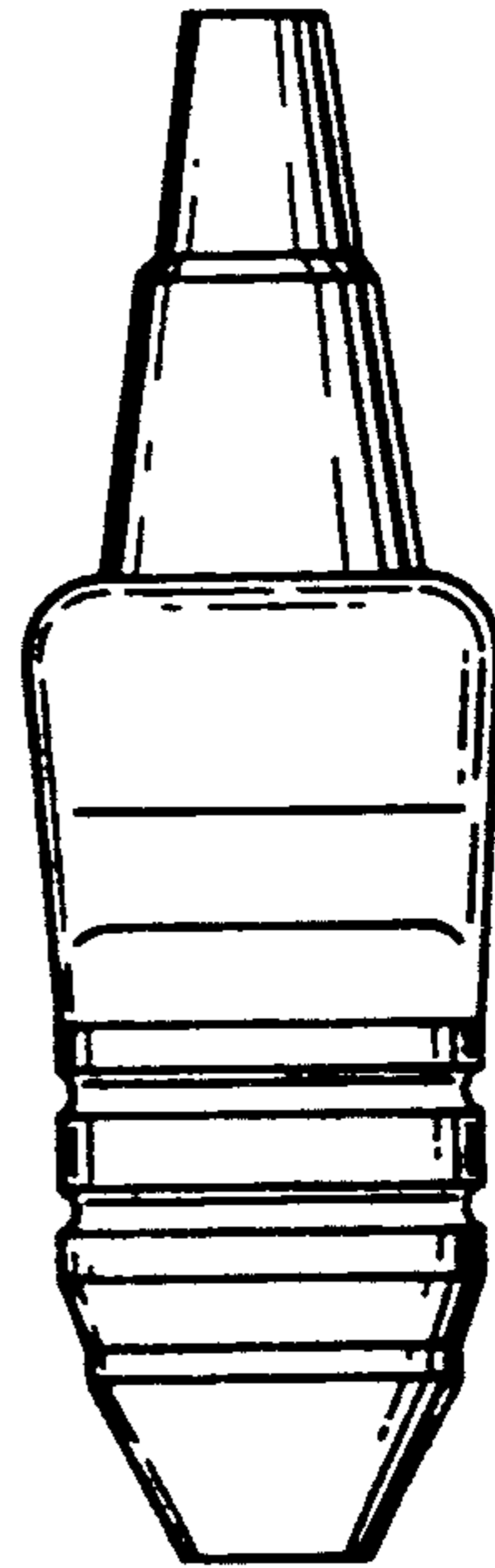


FIG.2

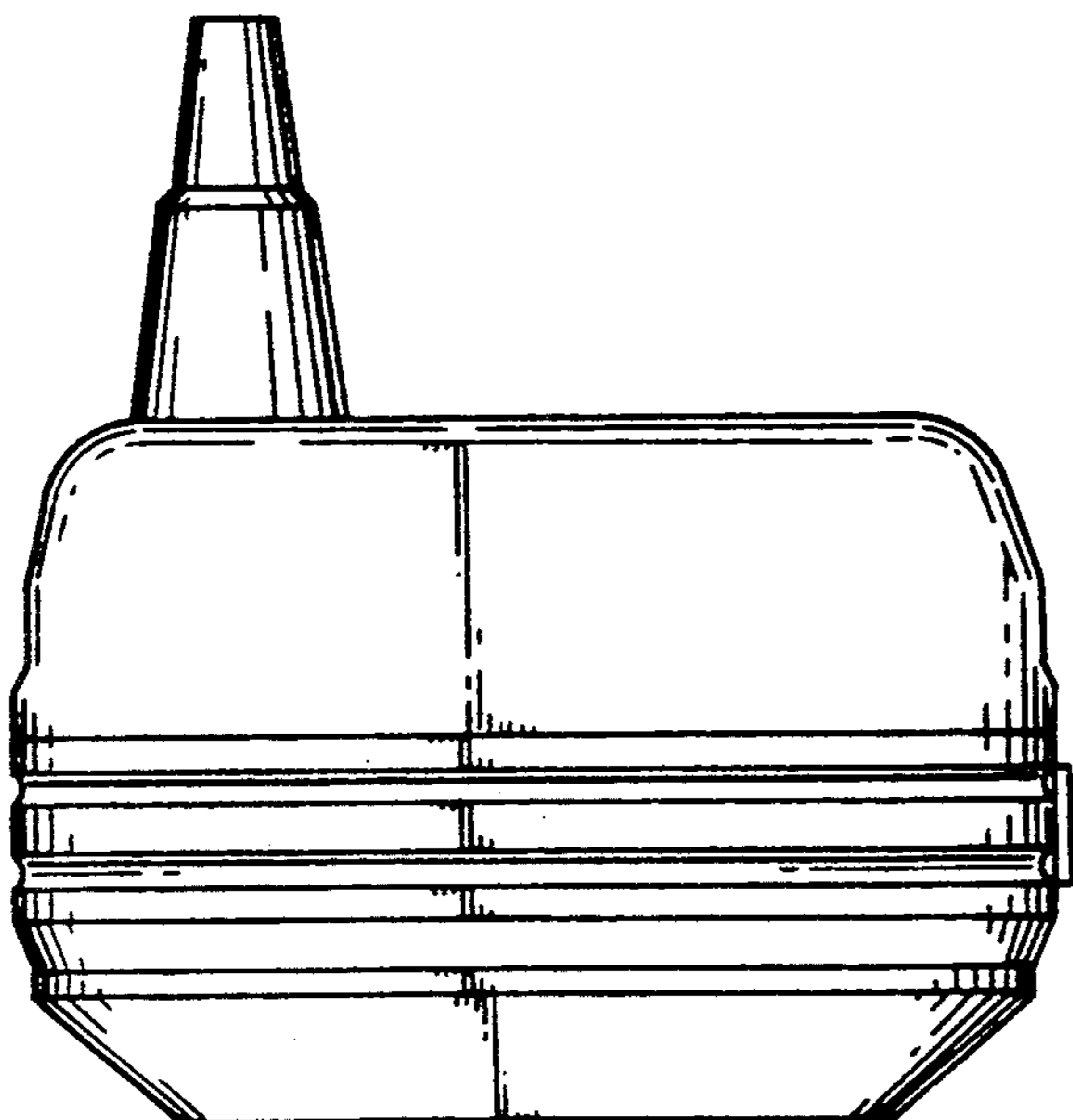


FIG.4

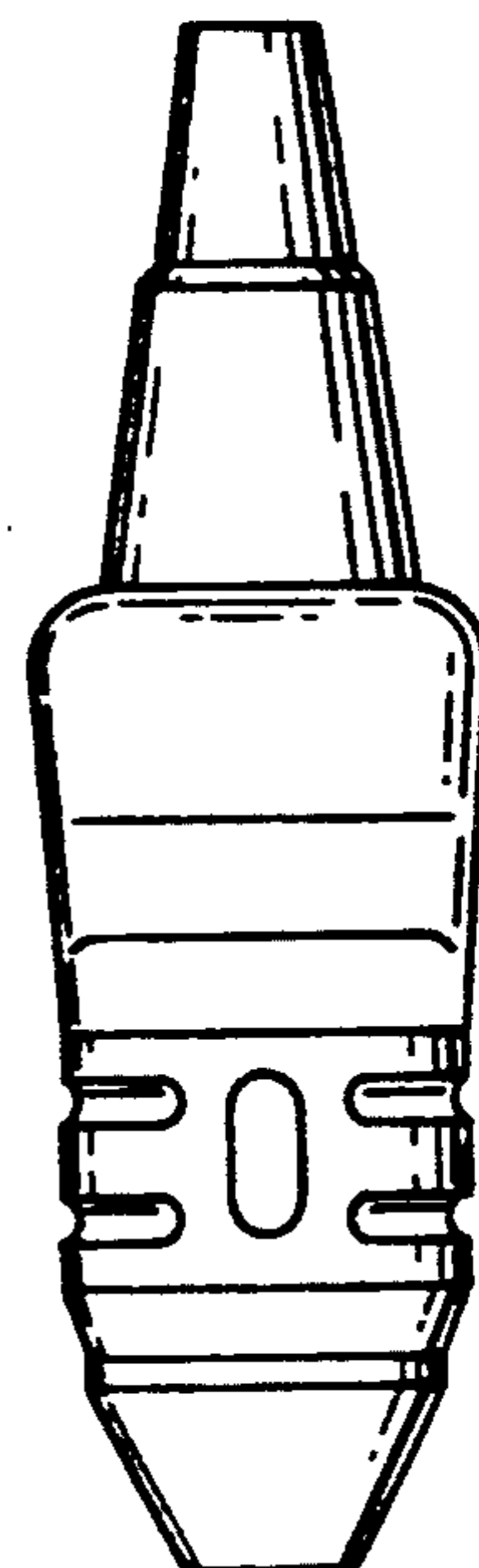


FIG.5

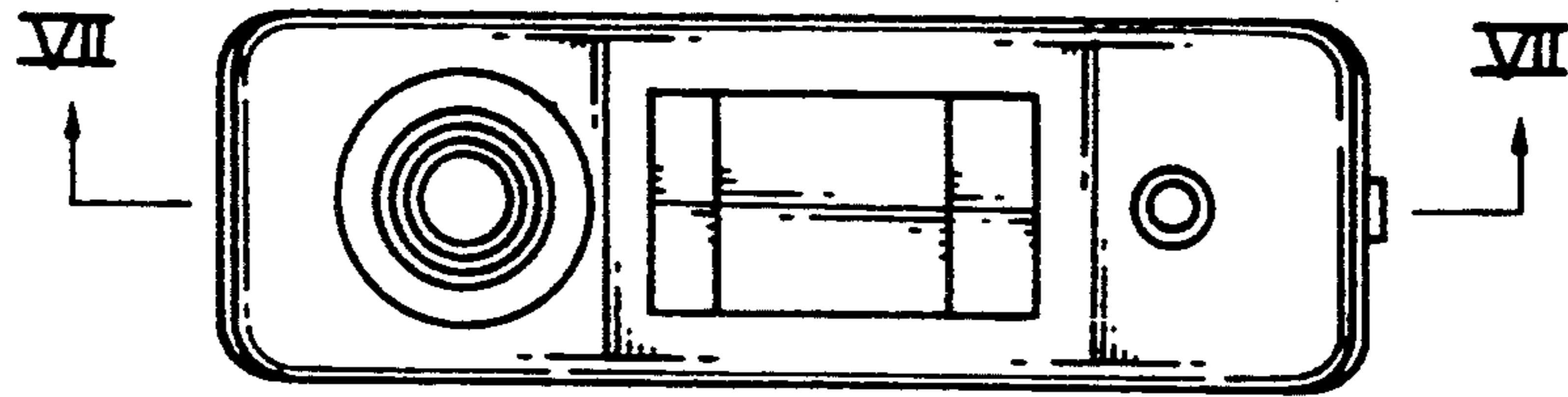


FIG.6

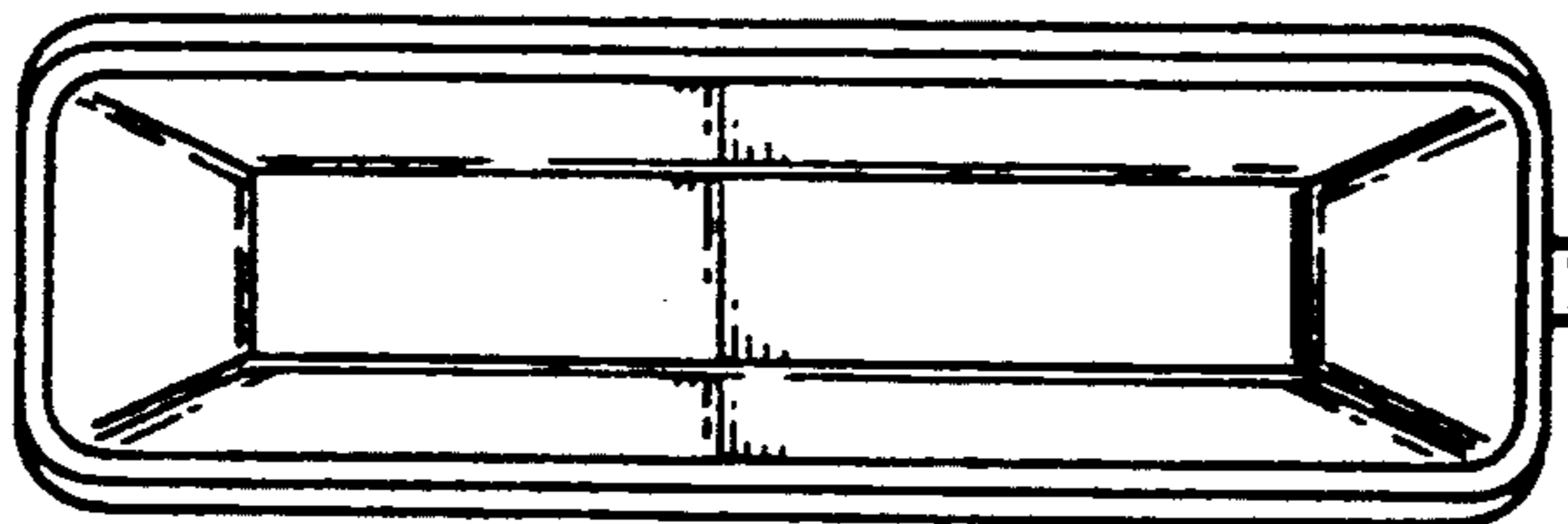


FIG.7

