

[54] CONNECTOR FOR THERAPEUTIC SYSTEM FOR TREATING VENOUS ULCERS

4,250,918 2/1981 Tuson et al. .... 285/136 X  
5,054,474 10/1991 Jacob et al. .... 128/64 X

[75] Inventor: John F. Dye, Bridgewater, Mass.

Primary Examiner—Stella Reid  
Assistant Examiner—I. Simmons  
Attorney, Agent, or Firm—Alvin Isaacs

[73] Assignee: The Kendall Company, Mansfield, Mass.

[\*\*] Term: 14 Years

[57] CLAIM

The ornamental design for a connector for therapeutic system for treating venous ulcers, as shown.

[21] Appl. No.: 498,246

[22] Filed: Mar. 14, 1990

DESCRIPTION

[52] U.S. Cl. .... D24/129; D24/127

FIG. 1 is a front elevational view of a connector for therapeutic system for treating venous ulcers, showing my new design;

[58] Field of Search ..... D24/129, 169; 285/134, 285/136, 190, 423; 128/24, D10, D20

FIG. 2 is a rear elevational view thereof;

FIG. 3 is a top plan view thereof;

FIG. 4 is a bottom plan view thereof;

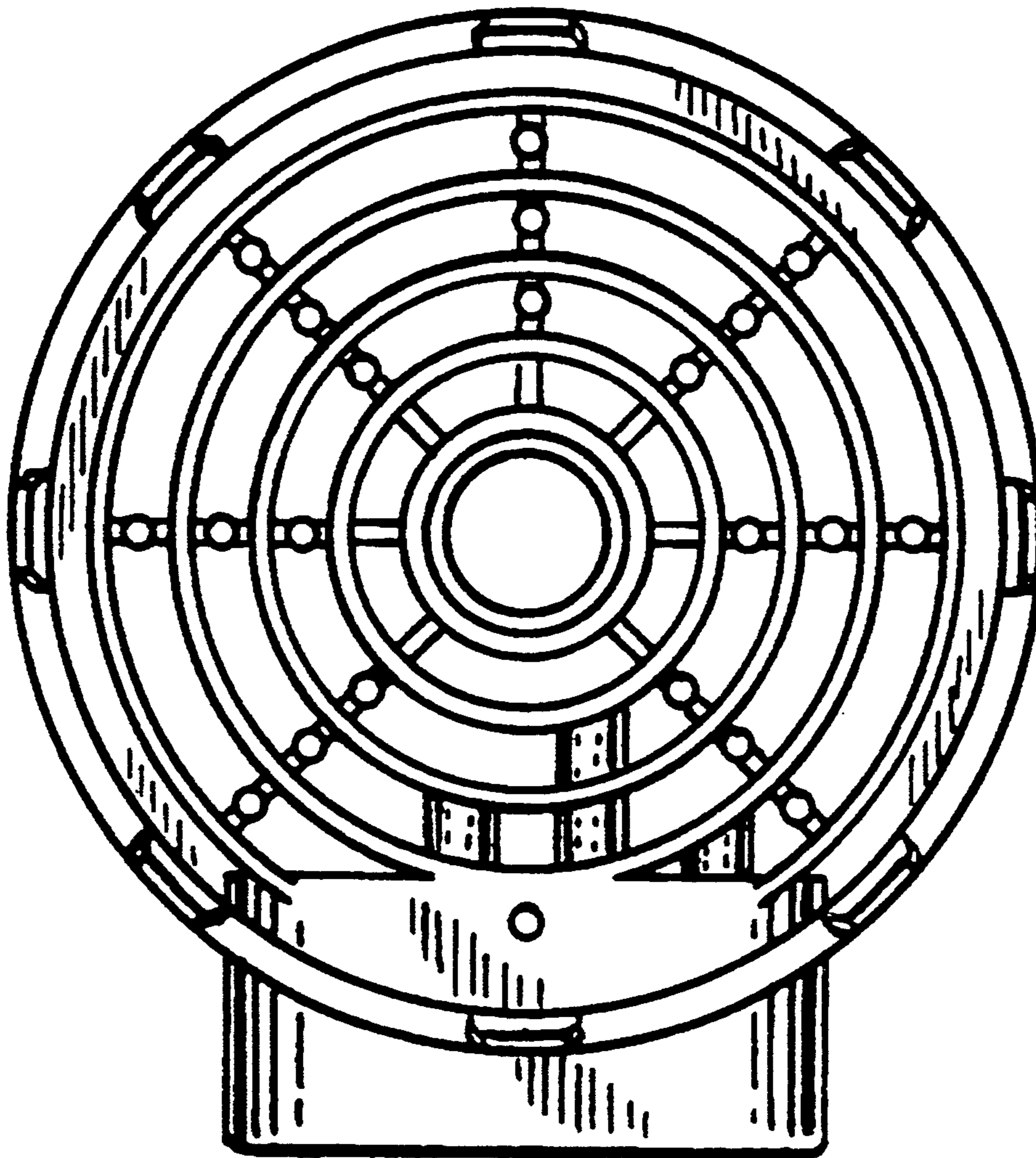
FIG. 5 is a right side elevational view thereof; and,

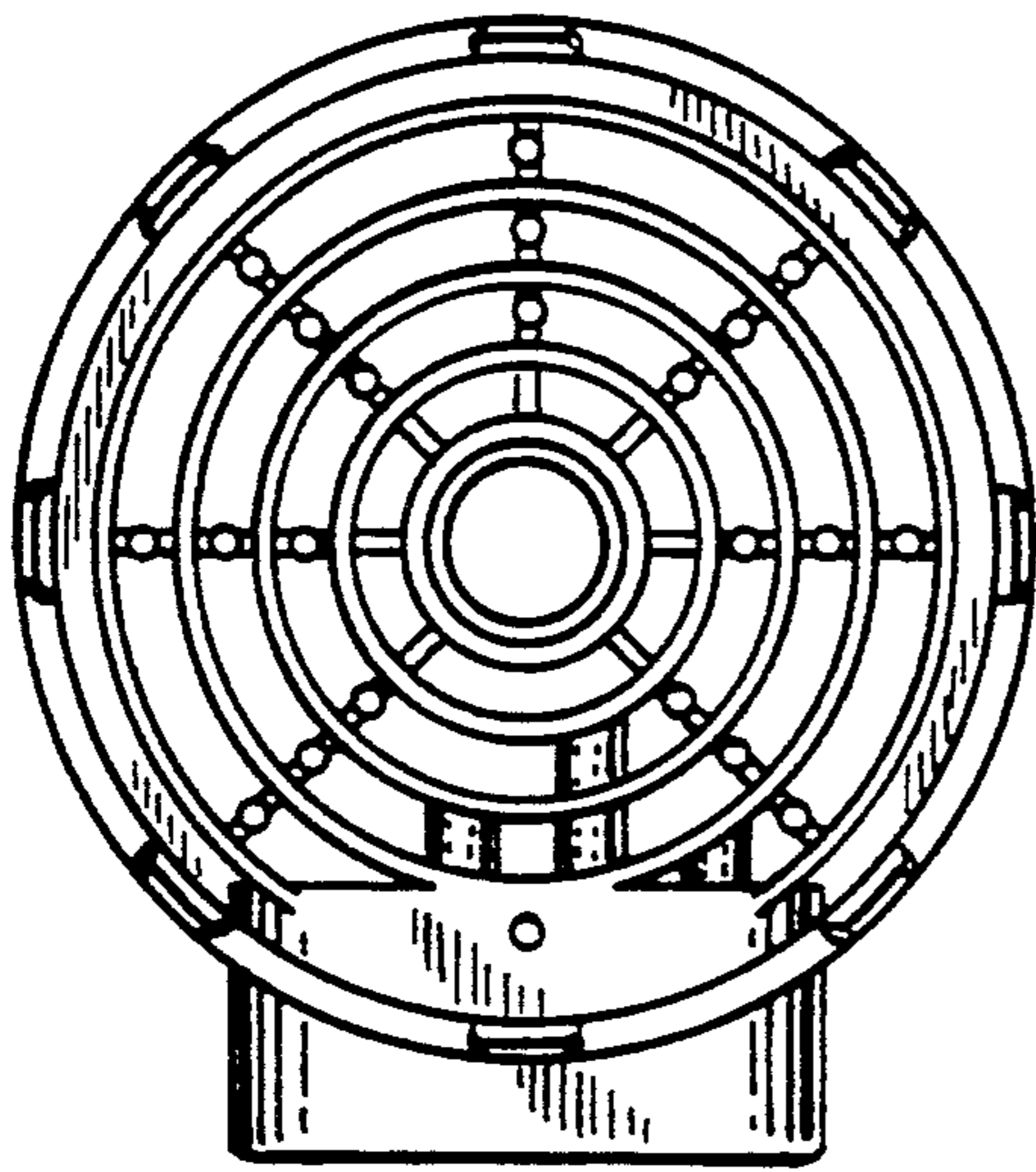
FIG. 6 is a left side elevational view thereof.

[56] References Cited

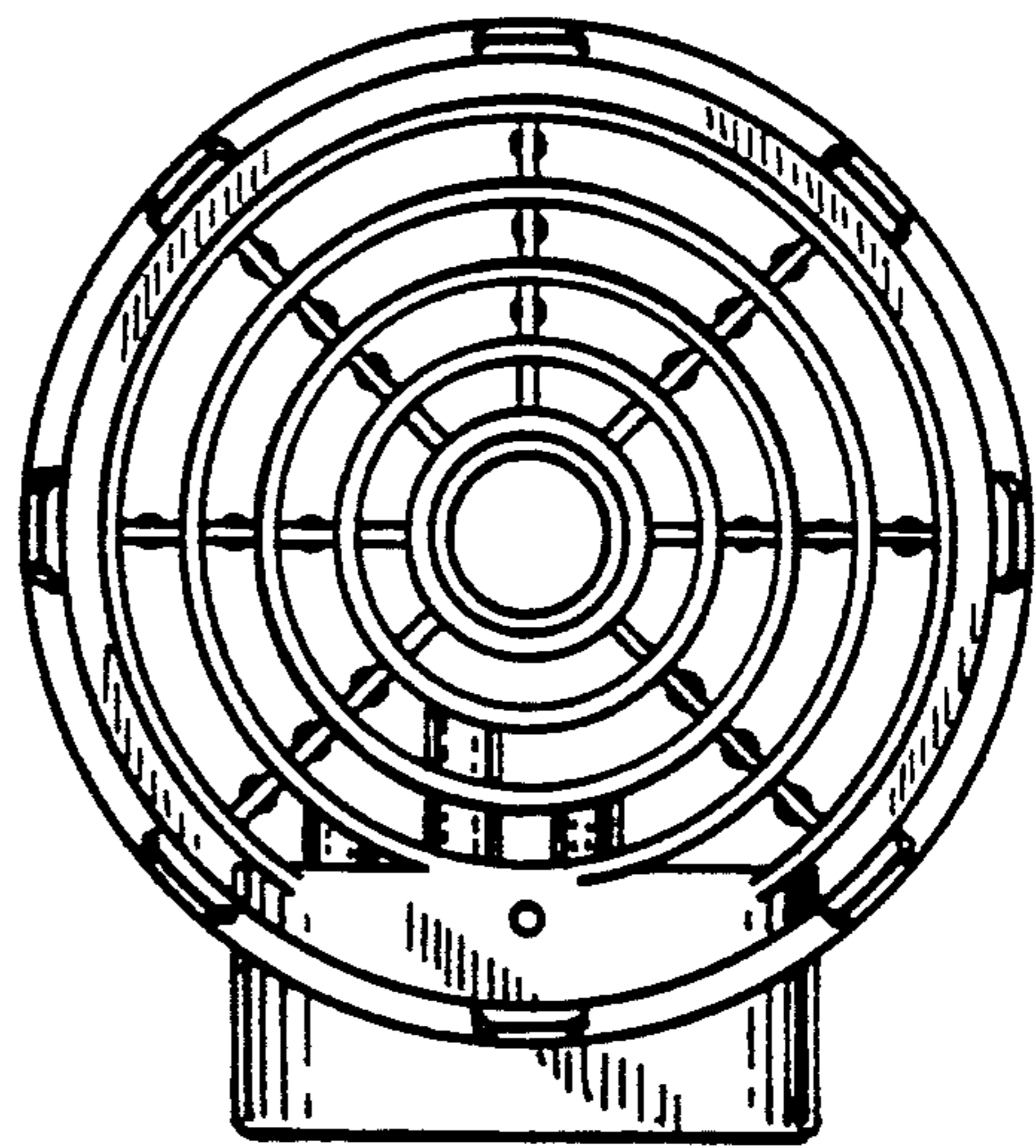
U.S. PATENT DOCUMENTS

3,862,629 1/1975 Rotta ..... 128/DIG. 10 X  
4,013,069 3/1977 Hasty ..... 128/DIG. 20 X

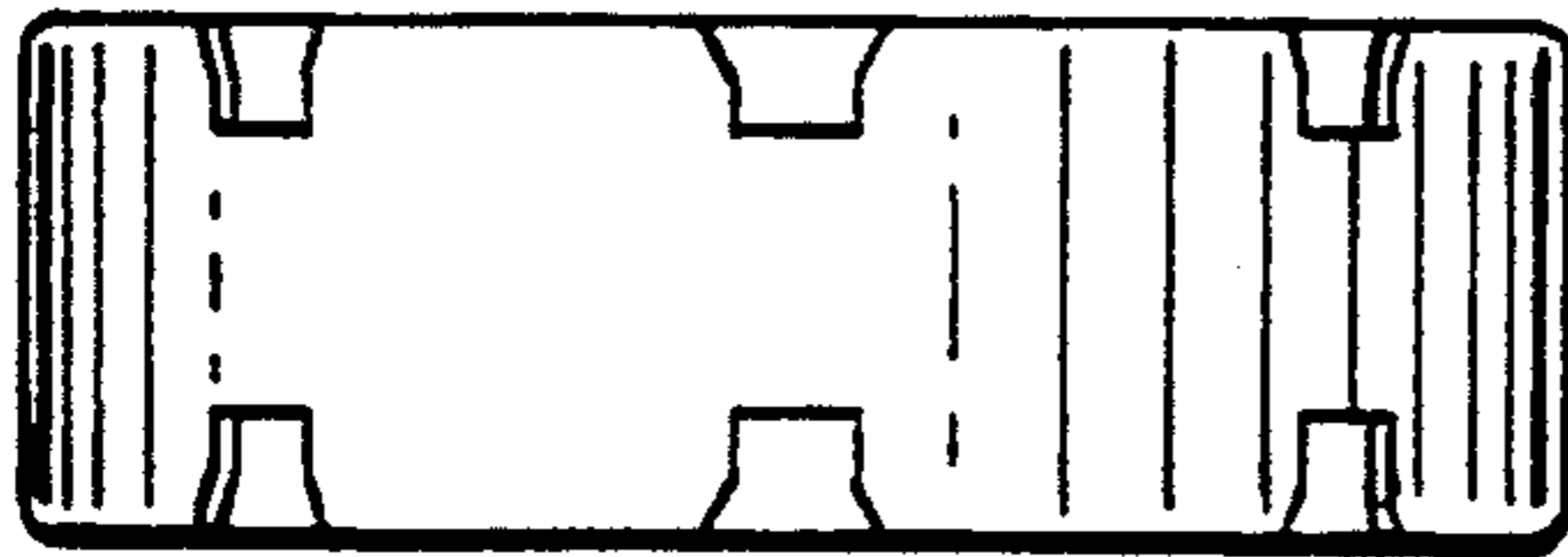




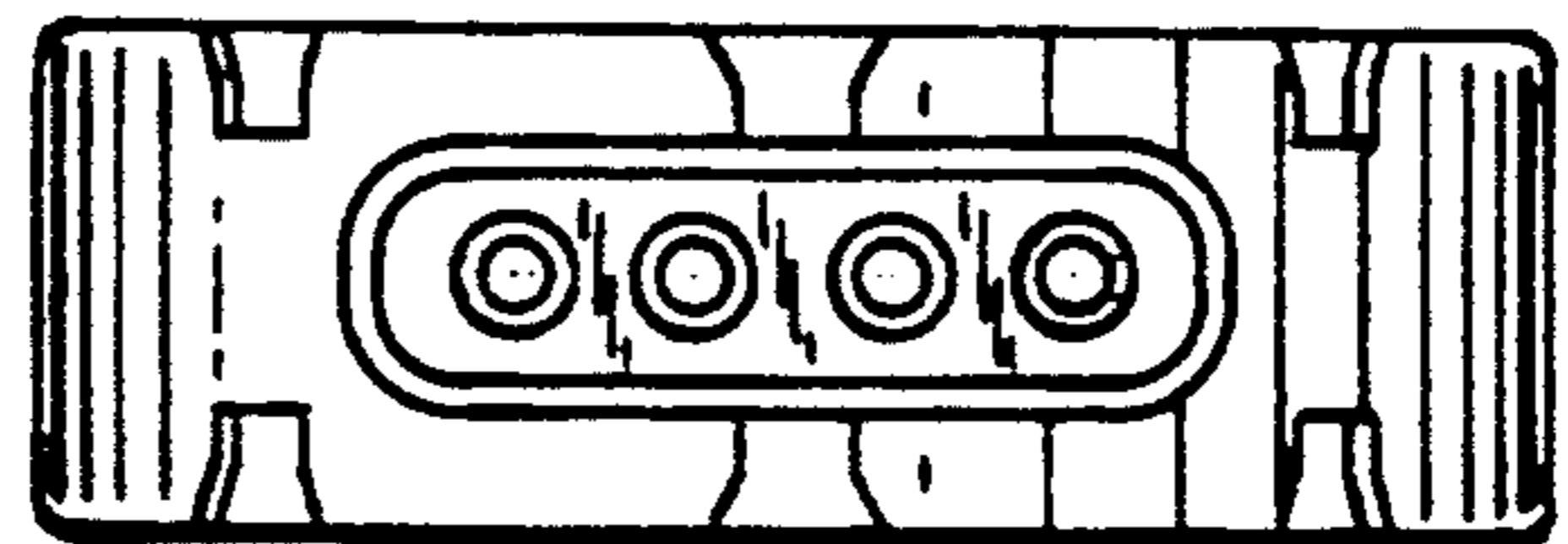
*FIG. 1*



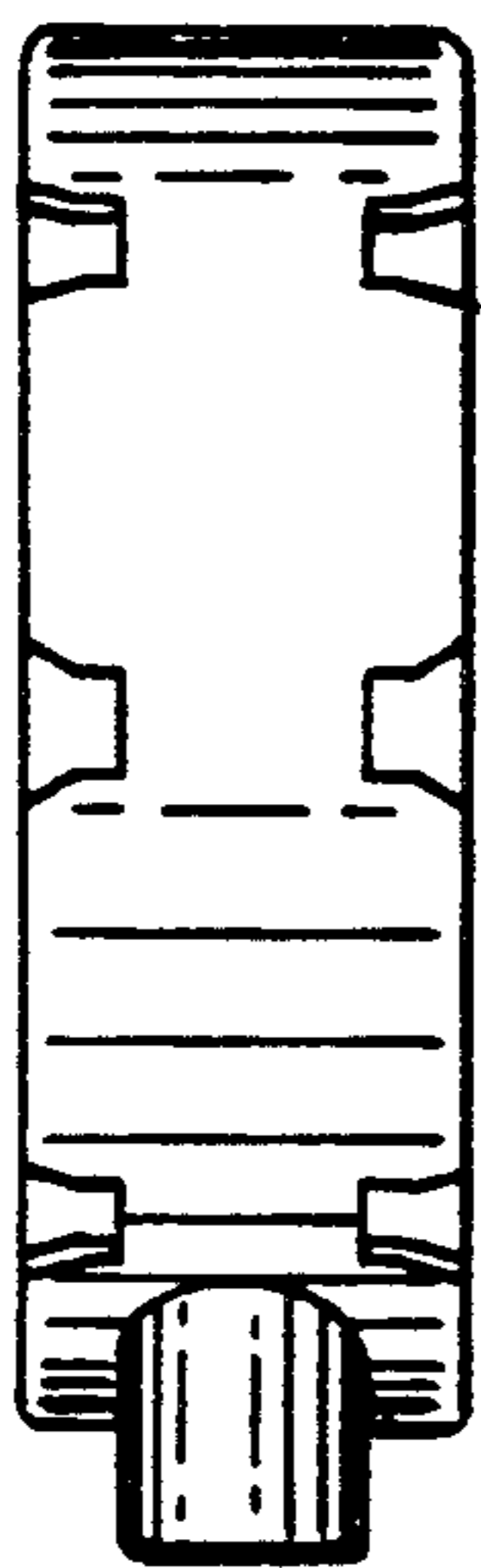
*FIG. 2*



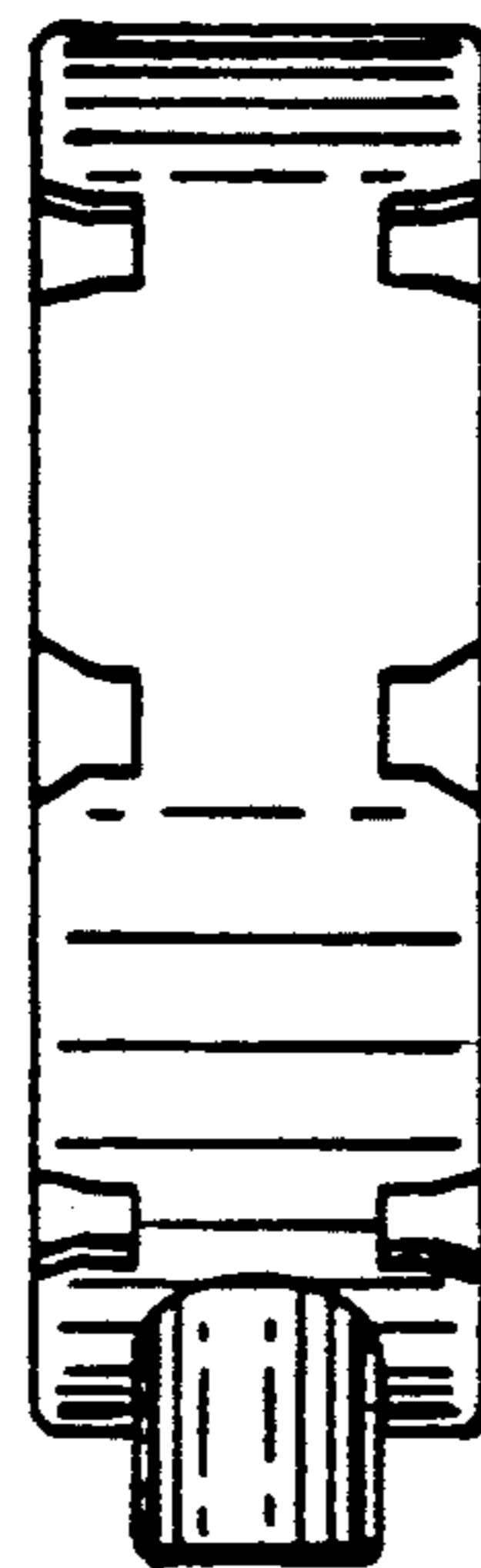
*FIG. 3*



*FIG. 4*



*FIG. 5*



*FIG. 6*